



Electrolux

Modular Cooking Range Line thermaline 85 - 2 Zone Full Surface Induction Top on Open Base, 1 Side, Backsplash (H2)

ITEM # _____

MODEL # _____

NAME # _____

SIS # _____

AIA # _____



588514
(MBJBGBEIAO)

Full surface induction top on open base, 2 zones, one-side operated with backsplash - H2

Short Form Specification

Item No. _____

Unit constructed according to DIN 18860_2 with 20 mm drop nose top and 70 mm recessed plinth. Internal frame for heavy duty sturdiness in 2 mm and 3 mm in 1.4301 (AISI 304). 2 mm top in 1.4301 (AISI 304). Flat surface construction, easily cleanable. THERMODUL connection system enables seamless worktop when units are connected and avoids soil penetrating. Large multi-coil glass ceramic surface without any "dead" spots allows for quick and easy cleaning. Features 9 power levels with fast deployment to full heating power and very low heat dissipation to kitchen. Overheat protection switches off the supply in case of overheating. Metal knobs with embedded hygienic silicon "soft" grip enable easier handling and cleaning. IPX5 water resistance certification.
Configuration: Freestanding, one side operated with backsplash, on open base, hygienic class H2.

Main Features

- Overheat protection: a temperature sensor switches off the supply in case of overheating.
- Pans can easily be moved from one area to another without lifting.
- The smooth glass-ceramic surface can be quickly and easily cleaned, thus providing maximum hygiene.
- IPX5 water resistance certification.
- All major components may be easily accessed from the front.
- THERMODUL connection system creates a seamless work top when units are connected to each other thus avoiding soil penetrating vital components and facilitating the removal of units in case of replacement or service.
- Metal knobs with embedded hygienic silicon "soft" grip for easier handling and cleaning. The special design of the controls prevent infiltration of liquids or soil into vital components.
- 9 power levels.
- Almost the entire surface of the ceramic plate can be used without "dead" spots.
- Fast deployment with full heating power immediately.
- Low heat dissipation to the kitchen.
- The large surface multi-coil induction top offers a substantial increase in pan and pot capacity thanks to the seamless transition between individual heating zones, ideal for à la carte operation.
- Handles are ergonomically designed with silicon "soft" grip for easy handling and cleaning.

Construction

- Control light for each zone.
- 2 mm top in 1.4301 (AISI 304).
- Unit constructed according to DIN 18860_2 with 20 mm drop nose top and 70 mm recessed plinth.
- Flat surface construction with minimal hidden areas to easily clean all surfaces
- Internal frame for heavy duty sturdiness in 2 mm and 3 mm in 1.4301 (AISI 304).

Optional Accessories

- Scraper for cook tops PNC 910601
-
- Connecting rail kit for appliances with backsplash, 850mm PNC 912498
-
- Portioning shelf, 500mm width PNC 912523
-
- Portioning shelf, 500mm width PNC 912553
-
- Folding shelf, 300x850mm PNC 912579
-
- Folding shelf, 400x850mm PNC 912580
-
- Fixed side shelf, 200x850mm PNC 912586
-

APPROVAL: _____



Electrolux

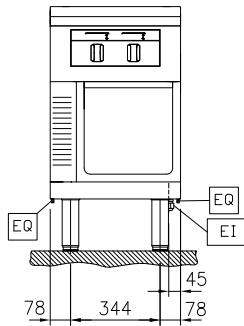
Modular Cooking Range Line
thermaline 85 - 2 Zone Full Surface Induction Top on Open Base, 1 Side,
Backsplash (H2)



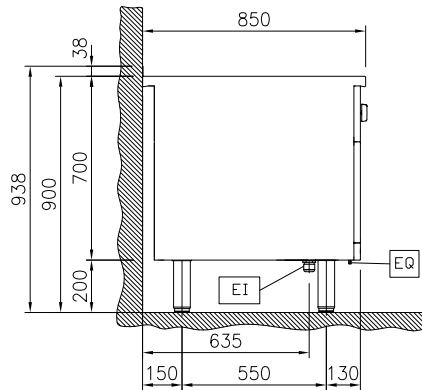
- Fixed side shelf, 300x850mm PNC 912587
- Fixed side shelf, 400x850mm PNC 912588
- Stainless steel front kicking strip, 500mm width PNC 912631
- Stainless steel side kicking strip left and right, wall mounted, 850mm width PNC 912659
- Stainless steel side kicking strip left and right, back-to-back, 1700mm width PNC 912662
- Stainless steel plinth, against wall, 500mm width PNC 912879
- Connecting rail kit for appliances with backsplash, right PNC 912979
- Connecting rail kit for appliances with backsplash, left PNC 912980
- Stainless steel side panel, 850x700mm, flush-fitting, right side, against wall PNC 913001
- Stainless steel side panel 850x700mm, flush-fitting, left side, against wall PNC 913002
- Stainless steel side panel (12mm) 850x700mm, right side, against wall PNC 913003
- Stainless steel side panel (12mm) 850x700mm, left side, against wall PNC 913004
- Back panel, 500x700mm, for tops and units with backsplash PNC 913010
- Endrail kit, flush-fitting, with backsplash, left PNC 913115
- Endrail kit, flush-fitting, with backsplash, right PNC 913116
- Endrail kit (12mm) for thermaline 85 units with backsplash, left PNC 913206
- Endrail kit (12mm) for thermaline 85 units with backsplash, right PNC 913207
- U-clamping rail for back-to-back installations with backsplash PNC 913226
- - NOT TRANSLATED - PNC 913231
- - NOT TRANSLATED - PNC 913233
- - NOT TRANSLATED - PNC 913261
- - NOT TRANSLATED - PNC 913262
- - NOT TRANSLATED - PNC 913279
- - NOT TRANSLATED - PNC 913664



Front

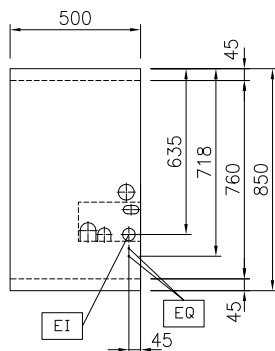


Side



EI = Electrical connection
EQ = Equipotential screw

Top



Electric

Supply voltage:
588514 (MBJGBE1AO) 400 V/3N ph/50/60 Hz
Total Watts: 14 kW

Key Information

Configuration:	On Base;One-Side Operated
Front Plates Power:	7 - 0 kW
Back Plates Power:	7 - kW
Front Plates dimensions:	420x370
Back Plates dimensions:	420x370
External dimensions, Width	500 mm
External dimensions, Height	700 mm
External dimensions, Depth	850 mm
Storage Cavity Dimensions (width):	340 mm
Storage Cavity Dimensions (height):	330 mm
Storage Cavity Dimensions (depth):	740 mm



Optional Accessories

- Scraper for cook tops PNC 910601
- Connecting rail kit for appliances with backsplash, 850mm PNC 912498
- Portioning shelf, 500mm width PNC 912523
- Portioning shelf, 500mm width PNC 912553
- Folding shelf, 300x850mm PNC 912579
- Folding shelf, 400x850mm PNC 912580
- Fixed side shelf, 200x850mm PNC 912586
- Fixed side shelf, 300x850mm PNC 912587
- Fixed side shelf, 400x850mm PNC 912588
- Stainless steel front kicking strip, 500mm width PNC 912631
- Stainless steel side kicking strip left and right, wall mounted, 850mm width PNC 912659
- Stainless steel side kicking strip left and right, back-to-back, 1700mm width PNC 912662
- Stainless steel plinth, against wall, 500mm width PNC 912879
- Connecting rail kit for appliances with backsplash, right PNC 912979
- Connecting rail kit for appliances with backsplash, left PNC 912980
- Stainless steel side panel, 850x700mm, flush-fitting, right side, against wall PNC 913001
- Stainless steel side panel 850x700mm, flush-fitting, left side, against wall PNC 913002
- Stainless steel side panel (12mm) 850x700mm, right side, against wall PNC 913003
- Stainless steel side panel (12mm) 850x700mm, left side, against wall PNC 913004
- Back panel, 500x700mm, for tops and units with backsplash PNC 913010
- Endrail kit, flush-fitting, with backsplash, left PNC 913115
- Endrail kit, flush-fitting, with backsplash, right PNC 913116
- Endrail kit (12mm) for thermaline 85 units with backsplash, left PNC 913206
- Endrail kit (12mm) for thermaline 85 units with backsplash, right PNC 913207
- U-clamping rail for back-to-back installations with backsplash PNC 913226
- - NOT TRANSLATED - PNC 913231

- - NOT TRANSLATED - PNC 913233
- - NOT TRANSLATED - PNC 913261
- - NOT TRANSLATED - PNC 913262
- - NOT TRANSLATED - PNC 913279
- - NOT TRANSLATED - PNC 913664

