

# FORNI PIZZA

PIZZA OVENS • PIZZAÖFEN • FOURS À PIZZA • HORNOS PIZZAS



## FORNI LINEA START

START LINE OVENS • ÖFEN LINIE START

FOURS LIGNE START • HORNOS LÍNEA START

### IL FORNO ELETTRICO LINEA START IDEALE PER PIZZERIA E ROSTICCERIA.

Costruito in acciaio inox e in lamiera preverniciata. Piano di cottura in pietra refrattaria. Isolamento in lana di roccia evaporata. Resistenze corazzate. Illuminazione interna.

**EN THE ELECTRIC OVEN START LINE IS IDEAL FOR PIZZA AND ROST FOODS.** It is made in stainless steel and coated metal sheet. Firestone cooking top. Evaporated mineral wool insulation. Armored resistances. Interior lighting.

**DE DER ELEKTROOFEN LINIE START IST IDEAL FÜR PIZZERIEN UND ROTISSERIEN.** Kochfeld aus schamottenstein. Isolierung aus Mineralwolle. Ummantelte Heizkörper. Innenbeleuchtung.

**FR LE FOUR ÉLECTRIQUE LIGNE START EST IDÉAL POUR PIZZERIAS ET RÔTISSERIES.** Il est construit en acier inox et en tôle pré-peinte. Plan de cuisson en pierre réfractaire. Isolation en laine de roche évaporée. Résistances blindées. Éclairage interne.

**ES EL HORNO ELÉCTRICO LÍNEA START ES IDEAL PARA PIZZERÍAS Y ROSTICERÍAS.** Está fabricado de acero inoxidable y chapa prepintada. Superficie de cocción de piedra refractaria. Aislamiento de lana de roca evaporada. Resistencias blindadas. Iluminación interior.

## FORNI ELETTRICI LINEA START

ELECTRIC PIZZA START LINE OVENS  
ELEKTROÖFEN LINIE START  
FOURS ÉLECTRIQUES LIGNE START  
HORNOS ELÉCTRICOS LÍNEA START

### START



#### BASE

BASIC • BASIS • BASE • BÁSICAS

- IT**
- Linea base di forni professionali
  - Camera interna 66x66x14
  - Luce interna
  - 2 O 4 resistenze
  - Da 4 a 12 pizze diam. 32Cm ø
  - Da 1 a 4 teglie
  - Corrente trifase o monofase
  - Temperatura max. 500° (Pirolisi consigliata a 450°)

- EN**
- Our basic line of professional ovens
  - Internal chamber 66x66x11
  - Internal light
  - 2 Or 4 heating elements
  - From 4 to 12 pizze diam. 32Cm ø
  - From 1 to 4 trays
  - Monophase or triphase current
  - Max. Temperature 500° (pyrolysis recommended at 450°)

- DE**
- Basislinie professionelle öfen
  - Innenkammer 66x66x11
  - Innenbeleuchtung
  - 2 Oder 4 heizelemente
  - Zwischen 4 und 12 pizzas durchmesser 32cm ø
  - Zwischen 1 und 4 backbleche
  - Ein- oder dreiphasen-strom
  - Max. Temperatur 500° (pyrolyse empfohlen bei 450°)

- FR**
- Entrée de gamme de fours professionnels
  - Chambre de cuisson 66x66x11
  - Éclairage interne
  - 2 O 4 résistances
  - De 4 à 12 pizza diam. 32Cm ø
  - De 1 à 4 plaques
  - Courant monophasé ou triphasé
  - Température max. 500° (Pyrolyse conseillée à 450°)

- ES**
- Línea básica de hornos profesionales
  - Cámara interna 66 x 66 x 11
  - Luz interna
  - 2 O 4 resistencias
  - De 4 a 12 pizzas diám. 32 Cm ø
  - De 1 a 4 bandejas
  - Corriente trifásica o monofásica
  - Temperatura máx. 500° (Pirólisis recomendada a 450°)

### START BIG



#### IN PIÙ

MORE • MEHR • PLUS • MÁS

- Camera interna 72x72x14
- Da 4 a 18 pizze diam. 36Cm ø
- Da 1 a 8 teglie
- Scarico vapori (sempre aperto)
- Pietra cielo opzionale

- Internal chamber 72x72x14
- From 4 to 18 pizza diam. 36Cm ø
- From 1 to 8 trays
- Steam exhaust (always open)
- Refractory stone available for top

- Innenkammer 72x72x14
- Zwischen 4 und 18 pizzas durchmesser 36cm ø
- Zwischen 1 und 8 backbleche
- Rauchabzug (immer geöffnet)
- Optional schamottstein himmelplatte

- Chambre de cuisson 72x72x14
- De 4 à 18 pizza diam. 36Cm ø
- De 1 à 8 plaques
- Échappement des fumées (toujours ouvert)
- Pierre réfractaire sur voute optionelle

- Cámara interna 72 x 72 x 14
- De 4 a 18 pizzas diám. 36 Cm ø
- De 1 a 8 bandejas
- Descarga de humos (siempre abierta)
- Piedra techo opcional

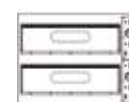
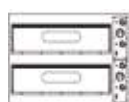
## FORNI ELETTRICI LINEA START

ELECTRIC START LINE OVENS

ELEKTROÖFEN LINIE START

FOURS ÉLECTRIQUES LIGNE START

HORNOS ELÉCTRICOS LÍNEA START



	START 4	START 44	START 6	START 66
<b>DIMENSIONI INTERNE cm</b> INSIDE DIMENSIONS cm INNENABMESSUNGEN cm DIMENSIONS INTERNES cm DIMENSIONES INTERIORES cm	<b>66 66 14</b>	<b>66 66 14(x2)</b>	<b>66 99 14</b>	<b>66 99 14(x2)</b>
<b>DIMENSIONI ESTERNE cm</b> OUTSIDE DIMENSIONS cm AUSSENABMESSUNGEN cm DIMENSIONS EXTERNES cm DIMENSIONES EXTERIORES cm	<b>94 92 40</b>	<b>94 92 71</b>	<b>94 125 40</b>	<b>94 125 71</b>
<b>DIMENSIONI IMBALLO cm</b> PACKAGE DIMENSIONS cm ABMESSUNGEN DER VERPACKUNG cm DIMENSIONS EMBALLAGE cm DIMENSIONES DEL EMBALAJE cm	<b>97 97 56</b>	<b>97 97 88</b>	<b>97 133 56</b>	<b>97 133 88</b>
<b>CAMERA COTTURA n°</b> BAKING CHAMBER n° BACKKAMMER n° CHAMBRE DE CUISSON n° CÁMARA DE COCCIÓN n°	<b>1</b>	<b>2</b>	<b>1</b>	<b>2</b>
<b>POTENZA KW</b> POWER KW - LEISTUNG KW PUISSANCE KW - POTENCIA KW	<b>4.7</b>	<b>9.4</b>	<b>7.0</b>	<b>14.4</b>
<b>VOLT</b>	<b>230/400</b>	<b>230/400</b>	<b>230/400</b>	<b>230/400</b>
<b>TEMPERATURA °C</b> TEMPERATURE °C - TEMPERATUR °C TEMPÉRATURE °C - TEMPERATURA °C	<b>50/400°</b>	<b>50/400°</b>	<b>50/400°</b>	<b>50/400°</b>
<b>PESO Kg</b> WEIGHT Kg - GEWICHT Kg POIDS Kg - PESO Kg	<b>62</b>	<b>101</b>	<b>116</b>	<b>135</b>
<b>TOTALE PIZZE Ø 33 cm</b> TOTAL PIZZA Ø 33 cm GESAMTZAHL PIZZEN Ø 33 cm TOTAL DES PIZZAS Ø 33 cm TOTAL PIZZAS Ø 33 cm				
<b>N° TEGLIE 60X40 cm</b> N° OF PANS 60X40 cm N° BACKBLECH 60X40 cm N° PLAQUES 60X40 cm N° BANDEJAS 60X40 cm	<b>1</b>	<b>2</b>	<b>2</b>	<b>4</b>
<b>CODICE - CODE - CODE - CODE - CÓDIGO</b>	<b>7020121004</b>	<b>7020121044</b>	<b>7020121006</b>	<b>7020121066</b>

## ACCESSORI LINEA START

START LINE ACCESSORIES

ZUBEHÖR LINIE START

ACCESSOIRES LIGNE START

ACCESORIOS LÍNEA START



85/90/95 cm

+ 14 cm



		DIMENSIONI cm DIMENSIONS cm ABMESSUNGEN cm DIMENSIONS cm DIMENSIONES cm 	IMBALLO cm PACKAGE cm VERPACKUNG cm EMBALLAGE cm EMBALAJE cm 	PESO Kg WEIGHT Kg GEWICHT Kg POIDS Kg PESO Kg	OPTIONAL OPTIONAL OPTIONAL EN OPTION OPCIONAL	CODICE CODE CODE CODE CÓDIGO
	<b>CAPPA INOX FORNO 4/44 S</b> OVENS INOX HOOD 4/44 S EDELSTAHL ABZUGSHAUBE OFEN 4/44 S HOTTE INOX FOUR 4/44 S CAMPANA INOX HORNO 4/44 S	92,5 96,1 11,5	95 99 20	10,00		7020120001
	<b>CAPPA INOX FORNO 6/66 S</b> OVENS INOX HOOD 6/66 S EDELSTAHL ABZUGSHAUBE OFEN 6/66 S HOTTE INOX FOUR 6/66 S CAMPANA INOX HORNO 6/66 S	92,5 129,1 11,5	95 132 20	12,00		7020120002
	<b>MOTORE ELETTRICO</b> ELECTRIC MOTOR ELEKTROMOTOR MOTEUR ÉLECTRIQUE MOTOR ELÉCTRICO					7020130001
	<b>SUPPORTO REGOLABILE START 4/44</b> ADJUSTABLE SUPPORT START 4/44 EINSTELLBARER GESTELL START 4/44 SUPPORT REGLABLE START 4/44 SOPORTE ADJUSTABLE START 4/44	94,5 82,5 85/90/95	100 30 20	25,00	/	7020100001
	<b>SUPPORTO REGOLABILE START 6/66</b> ADJUSTABLE SUPPORT START 6/66 EINSTELLBARER GESTELL START 6/66 SUPPORT REGLABLE START 6/66 SOPORTE ADJUSTABLE START 6/66	94,5 115,5 85/90/95	120 30 20	30,00	/	7020100002
	<b>KIT PORTA TEGLIE START 4/44</b> TRAYHOLDER KIT START 4/44 BACKBLECHHALTER KIT START 4/44 KIT PORTE-PLAQUES START 4/44 KIT PORTA BANDEJAS START 4/44	/	100 30 20	5,50	/	7020110002
	<b>KIT PORTA TEGLIE START 6/66</b> TRAYHOLDER KIT START 6/66 BACKBLECHHALTER KIT START 6/66 KIT PORTE-PLAQUES START 6/66 KIT PORTA BANDEJAS START 6/66	/	100 30 20	7,00	/	7020110004
	<b>COPPIA ANGOLARI START 4/44</b> CORNERS COUPLE START 4/44 WINKELPAAR FÜR BACKBLECHHALTER START 4/44 PAIRES DE COINS START 4/44 PAR ANGULARES START 4/44	/	90 10 10	1,10	/	7020110010
	<b>COPPIA ANGOLARI START 6/66</b> CORNERS COUPLE START 6/66 WINKELPAAR FÜR BACKBLECHHALTER START 6/66 PAIRES DE COINS START 6/66 PAR ANGULARES START 6/66	/	120 10 10	1,50	/	7020110012
	<b>KIT RUOTE</b> CASTORS KIT - RÄDERSÄTZE KIT ROUES - KIT RUEDAS	/	30 20 20	5,00	/	7020110001

## FORNI ELETTRICI LINEA START BIG

ELECTRIC START BIG LINE OVENS

ELEKTROÖFEN LINIE START BIG

FOURS ÉLECTRIQUES LIGNE START BIG

HORNOS ELÉCTRICOS LÍNEA START BIG



	START 4 BIG	START 44 BIG	START 6 BIG	START 66 BIG	START 9 BIG	START 99 BIG	START 6 BIG/L	START 66BIG/L
<b>DIMENSIONI INTERNE cm</b> INSIDE DIMENSIONS cm INNENABMESSUNGEN cm DIMENSIONS INTERNES cm DIMENSIONES INTERIORES cm	72 72 14	72 72 14(x2)	72 108 14	72 108 14(x2)	108 108 14	108 108 14(x2)	108 72 14	108 72 14(x2)
<b>DIMENSIONI ESTERNE cm</b> OUTSIDE DIMENSIONS cm AUSSENABMESSUNGEN cm DIMENSIONS EXTERNES cm DIMENSIONES EXTERIORES cm	95 86,5 39,5	95 86,5 71	95 122,5 39,5	95 122,5 71	131 122,5 39,5	131 122,5 71	131 86,5 39,5	131 86,5 71
<b>DIMENSIONI IMBALLO cm</b> PACKAGE DIMENSIONS cm ABMESSUNGEN DER VERPACKUNG cm DIMENSIONS EMBALLAGE cm DIMENSIONES DEL EMBALAJE cm	97 100 56	97 100 88	97 140 56	97 140 88	133 135 56	133 135 88	133 99 56	133 99 88
<b>CAMERA COTTURA n°</b> BAKING CHAMBER n° BACKKAMMER n° CHAMBRE DE CUISSON n° CÁMARA DE COCCIÓN n°	1	2	1	2	1	2	1	2
<b>POTENZA KW</b> POWER KW - LEISTUNG KW PUISSANCE KW - POTENCIA KW	6.0	12	9.0	18.0	13.0	26.4	9.0	18.0
<b>VOLT</b>	230/400	230/400	400	400	400	400	230/400	230/400
<b>TEMPERATURA °C</b> TEMPERATURE °C - TEMPERATUR °C TEMPÉRATURE °C - TEMPERATURA °C	50/400°	50/400°	50/400°	50/400°	50/400°	50/400°	50/400°	50/400°
<b>PESO Kg</b> WEIGHT Kg - GEWICHT Kg POIDS Kg - PESO Kg	60	108	105	162	115	205	102	162
<b>TOTALE PIZZE Ø 36 cm</b> TOTAL PIZZA Ø 36 cm GESAMTZAHL PIZZEN Ø 36 cm TOTAL DES PIZZAS Ø 36 cm TOTAL PIZZAS Ø 36 cm								
<b>N° TEGLIE 60X40 cm</b> N° OF PANS 60X40 cm N° PLAQUES 60X40 CM N° BANDEJAS 60X40 CM	1	2	2	4	4	8	2	4
<b>CODICE</b> CODE - CODE - CODE - CÓDIGO	7020121004B	7020121044B	7020121006B	7020121066B	7020121009B	7020121099B	7020121006BL	7020121066BL

## ACCESSORI LINEA START BIG

START BIG LINE ACCESSORIES  
ZUBEHÖR LINIE BIG  
ACCESSOIRES LIGNE START BIG  
ACCESORIOS LÍNEA START BIG



	OPTIONAL PIETRA REFRATTARIA CIELO OPTIONAL TOP REFRACTORY STONE OPTIONAL SCHAMOTTENSTEIN DECKE PIERRE RÉFRACTAIRE VOÛTE OPTIONELLE PIEDRA REFRACTARIA TECHO OPCIONAL	CODICE CODE CODE CODE CÓDIGO
	4BIG	7020140001
44BIG	7020140002	
6BIG	7020140003	
66BIG	7020140004	
9BIG	7020140005	
99BIG	7020140006	
6BIG L	7020140007	
66BIG L	7020140008	

## ACCESSORI LINEA START BIG

START BIG LINE ACCESSORIES

ZUBEHÖR LINIE BIG

ACCESSOIRES LIGNE START BIG

ACCESORIOS LÍNEA START BIG



		DIMENSIONI cm DIMENSIONS cm ABMESSUNGEN cm DIMENSIONS cm DIMENSIONES cm 	IMBALLO cm PACKAGE cm VERPACKUNG cm EMBALLAGE cm EMBALAJE cm 	PESO Kg WEIGHT Kg GEWICHT Kg POIDS Kg PESO Kg	OPTIONAL OPTIONAL OPTIONAL EN OPTION OPCIONAL	CODICE CODE CODE CODE CÓDIGO
	<b>CAPPA INOX FORNO 4/44 SB</b> OVENS INOX HOOD 4/44 SB EDELSTAHL ABZUGSHAUBE OFEN 4/44 SB HOTTE INOX FOUR 4/44 SB CAMPANA INOX HORNO 4/44 SB	<b>95 102 11,5</b>	<b>99 106 20</b>	<b>11,00</b>		<b>7020120003</b>
	<b>CAPPA INOX FORNO 6/66 SB</b> OVENS INOX HOOD 6/66 SB EDELSTAHL ABZUGSHAUBE OFEN 6/66 SB HOTTE INOX FOUR 6/66 SB CAMPANA INOX HORNO 6/66 SB	<b>95 138 11,5</b>	<b>99 142 20</b>	<b>13,00</b>		<b>7020120004</b>
	<b>CAPPA INOX FORNO 9/99 SB</b> OVENS INOX HOOD 9/99 SB EDELSTAHL ABZUGSHAUBE OFEN 9/99 SB HOTTE INOX FOUR 9/99 SB CAMPANA INOX HORNO 9/99 SB	<b>131 138 11,5</b>	<b>135 142 20</b>	<b>17,00</b>		<b>7020120005</b>
	<b>CAPPA INOX FORNO 6L/66L SB</b> OVENS INOX HOOD 6L/66L SB EDELSTAHL ABZUGSHAUBE OFEN 6L/66L SB HOTTE INOX FOUR 6L/66L SB CAMPANA INOX HORNO 6L/66L SB	<b>131 102 11,5</b>	<b>135 106 20</b>	<b>13,50</b>		<b>7020120006</b>
	<b>MOTORE ELETTRICO</b> ELETTRIC MOTOR ELEKTROMOTOR MOTEUR ÉLECTRIQUE MOTOR ELÉCTRICO					<b>7020130001</b>
	<b>SUPPORTO REGOLABILE START 4BIG/44BIG</b> ADJUSTABLE SUPPORT START 4BIG/44BIG EINSTELLBARER GESTELL START 4BIG/44BIG SUPPORT REGLABLE START 4BIG/44BIG SOPORTE ADJUSTABLE START 4BIG/44BIG	<b>96 91 85/90/95</b>	<b>105 30 20</b>	<b>25,00</b>	/	<b>7020100005</b>
	<b>SUPPORTO REGOLABILE START 6BIG/66BIG</b> ADJUSTABLE SUPPORT START 6BIG/66BIG EINSTELLBARER GESTELL START 6BIG/66BIG SUPPORT REGLABLE START 6BIG/66BIG SOPORTE ADJUSTABLE START 6BIG/66BIG	<b>96 127 85/90/95</b>	<b>130 30 20</b>	<b>30,00</b>	/	<b>7020100006</b>
	<b>SUPPORTO REGOLABILE START 9BIG/99BIG</b> ADJUSTABLE SUPPORT START 9BIG/99BIG EINSTELLBARER GESTELL START 9BIG/99BIG SUPPORT REGLABLE START 9BIG/99BIG SOPORTE ADJUSTABLE START 9BIG/99BIG	<b>132 127 85/90/95</b>	<b>140 30 20</b>	<b>37,00</b>	/	<b>7020100009</b>
	<b>SUPPORTO REGOLABILE START 6BIGL/66BIGL</b> ADJUSTABLE SUPPORT START 6BIGL/66BIGL EINSTELLBARER GESTELL START 6BIGL/66BIGL SUPPORT REGLABLE START 6BIGL/66BIGL SOPORTE ADJUSTABLE START 6BIGL/66BIGL	<b>132 91 85/90/95</b>	<b>140 30 20</b>	<b>28,00</b>	/	<b>7020100011</b>



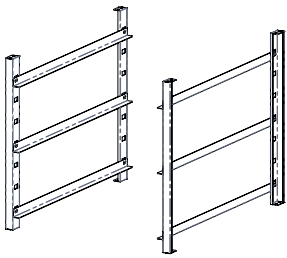
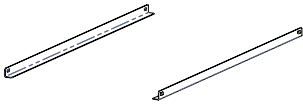

## ACCESSORI LINEA START BIG

START BIG LINE ACCESSORIES

ZUBEHÖR LINIE BIG

ACCESSOIRES LIGNE START BIG

ACCESORIOS LÍNEA START BIG

		<b>DIMENSIONI cm</b> DIMENSIONS cm ABMESSUNGEN cm DIMENSIONS cm DIMENSIONES cm 	<b>IMBALLO cm</b> PACKAGE cm VERPACKUNG cm EMBALLAGE cm EMBALAJE cm 	<b>PESO Kg</b> WEIGHT Kg GEWICHT Kg POIDS Kg PESO Kg	<b>OPTIONAL</b> OPTIONAL EN OPTION OPCIONAL	<b>CODICE</b> CODE CODE CODE CÓDIGO
	<b>KIT PORTA TEGLIE START 4BIG/44BIG</b> TRAYHOLDER KIT START 4BIG/44BIG BACKBLECHHALTER KIT START 4BIG/44BIG KIT PORTE-PLAQUES START 4BIG/44BIG KIT PORTA BANDEJAS START 4BIG/44BIG	/	<b>100 30 20</b>	<b>6,00</b>	/	<b>7020110006</b>
	<b>KIT PORTA TEGLIE START 6BIG/66BIG</b> TRAYHOLDER KIT START 6BIG/66BIG BACKBLECHHALTER KIT START 6BIG/66BIG KIT PORTE-PLAQUES START 6BIG/66BIG KIT PORTA BANDEJAS START 6BIG/66BIG	/	<b>140 30 20</b>	<b>7,00</b>	/	<b>7020110008</b>
	<b>KIT PORTA TEGLIE START 9BIG/99BIG</b> TRAYHOLDER KIT START 9BIG/99BIG BACKBLECHHALTER KIT START 9BIG/99BIG KIT PORTE-PLAQUES START 9BIG/99BIG KIT PORTA BANDEJAS START 9BIG/99BIG	/	<b>140 30 20</b>	<b>7,00</b>	/	<b>7020110008</b>
	<b>KIT PORTA TEGLIE START 6BIG L/66BIG L</b> TRAYHOLDER KIT START 6BIG L/66BIG L BACKBLECHHALTER KIT START 6BIG L/66BIG L KIT PORTE-PLAQUES START 6BIG L/66BIG L KIT PORTA BANDEJAS START 6BIG L/66BIG L	/	<b>130 30 20</b>	<b>6,00</b>	/	<b>7020110006</b>
	<b>COPPIA ANGOLARI START</b> <b>4BIG - 44BIG - 6BIG L - 66 BIG L</b> CORNERS COUPLE START 4BIG - 44BIG - 6BIG L - 66 BIG L WINKELPAAR FÜR BACKBLECHHALTER START 4BIG - 44BIG - 6BIG L - 66 BIG L PAIRES DE COINS START 4BIG - 44BIG - 6BIG L - 66 BIG L PAR ANGULARES START 4BIG - 44BIG - 6BIG L - 66 BIG L	/	<b>90 10 10</b>	<b>1,20</b>	/	<b>7020110011</b>
	<b>COPPIA ANGOLARI</b> <b>6BIG - 66BIG - 9BIG - 99BIG</b> CORNERS COUPLE 6BIG - 66BIG - 9BIG - 99BIG WINKELPAAR FÜR BACKBLECHHALTER START 6BIG - 66BIG - 9BIG - 99BIG PAIRES DE COINS START 6BIG - 66BIG - 9BIG - 99BIG PAR ANGULARES START 6BIG - 66BIG - 9BIG - 99BIG	/	<b>130 10 10</b>	<b>1,60</b>	/	<b>7020110013</b>
	<b>KIT RUOTE</b> CASTORS KIT - RÄDERSÄTZE KIT ROUES - KIT RUEDAS	/	<b>30 20 20</b>	<b>5,00</b>	/	<b>7020110001</b>

