

NUVCTTE00000

Easy Clean terra traslato / Easy Clean adjustable flush system

codice
code



Vaso Nuvola a terra Easy clean scarico traslato.
Nuvola floor standing Wc Easy clean with adjustable flush system.

bianc lucido/shiny white

NUVCTTE00000BI

cotone/cotton

NUVCTTE00000CT

CM 55x35xh42

plt italy pz.12 - plt export pcs.20

kg 26

Tecnologie/technologies:



watersaving

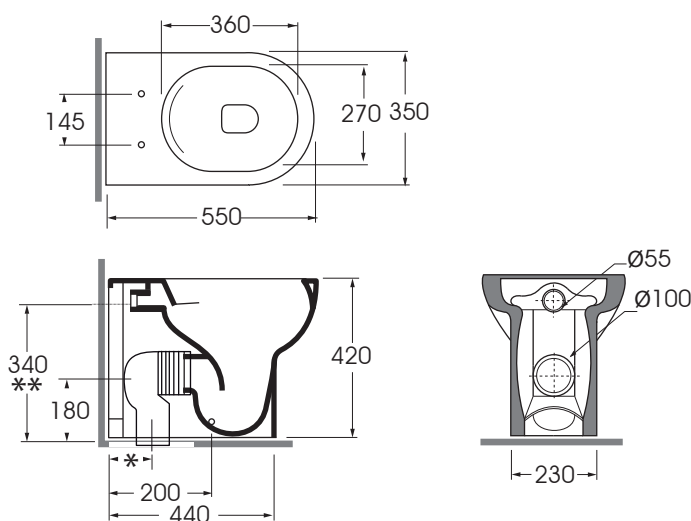


easyclean



scarico traslato

**	RDP		
	mm 355		
	o mm 325		
*	CVT	CVTK	CVTR
	180mm	da 60mm a 150 mm	da 160mm a 220 mm



scala/scale 1:20 dimensioni/dimensions in mm

COLORS 1250°

CT

cotone
cotton

Complementi/complements:

Codice
code



Sedile termoidurente frizionato per vaso 55cm a sgancio rapido
Wrapover thermosetting soft close cover-seat for cm55 with quick release

bianco lucido/ shiny white

NUV 1818/F

cotone/cotton

NUV 1818 M/F



Sedile termoidurente avvolgente con chiusura frizionata
Wrapover thermosetting soft close

bianco lucido/ shiny white

NUV 1800/F

cotone/cotton

NUV 1800 M/F



Sedile termoidurente avvolgente per vaso
Wrapover thermosetting cover-seat

bianco lucido/ shiny white

NUV 1800



Curva tecnica per wc TRASLATO con distanza parete
* (solo per questa collezione da 60 a 130 mm)
Technical bend for adjustable flush system wc with wall distance ranging from 60 mm to 130 mm (* only for this collection)

CVTK



Curva tecnica per wc TRASLATO con distanza parete
* (solo per questa collezione da 170 a 210 mm)
Technical bend for adjustable flush system wc with wall distance ranging from 160 mm to 200 mm (* only for this collection)

CVTR



Raccordo eccentrico per entrata acqua
* (solo per questa collezione H380 o H350mm)
Eccentric joint for mm H380 or H350mm waterinlet (* only for this collection)

RDP



Curva tecnica per vaso normale e monoblocco
Technical bend for standing and close coupled wc

CVT

TECHNICAL SHEET n°: 01	DESIGNER: ANGELETTI RUZZA	CODE: NUVCTTE00000	Azzurra sanitari in ceramica S.p.a. via Civita Castellana snc 01030 Castel S.Elia (VT) - ITALY Tel. +39.0761 518155 Fax. +39.0761 514560	
SHEET FORMAT: A4	ISO	REVISION: 02	SCALE: 1:20	DATE: 29/07/2019
REGULATIONS: CE EN 997 / EN33 / Dop-997 *				
All the measurements respect the tolerances provided by the "AZZURRA QUALITY GUIDELINES".				



* Regulations here shown are exclusively referred to ceramic items