

NUVCTT000480 scarico traslato/adjustable flush system

codice
code



Vaso Nuvola H48 con scarico traslato a pavimento.
Nuvola floor standing Wc H48 with adjustable flush system.

biancolucido/shiny white

NUVCTT000480BI

cotone/cotton

NUVCTT000480CT

CM 55x35xh48

plt italy pz.12 - plt export pcs.20

kg 32

Tecnologie/technologies:



scarico traslato



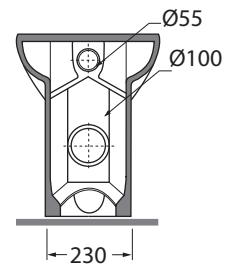
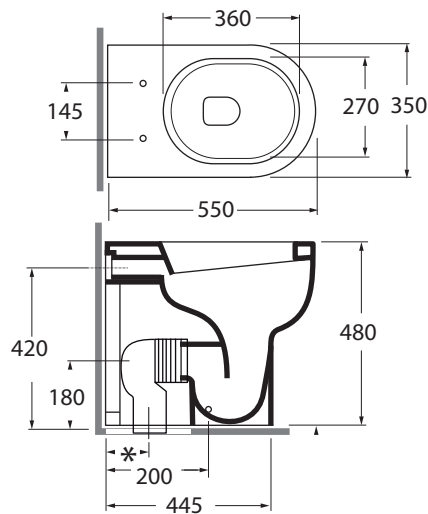
watersaving

**

RDP
mm 435 o mm 405

*

CVT	CVTK	CVTR
180mm	da 60mm a 150 mm	da 160mm a 220 mm



scala/scale 1:20 dimensioni/dimensions in mm

COLORS 1250°



cotone
cotton

Complementi/complements:

Codice
code



Sedile termoisolante frizionato per vaso 55cm a sgancio rapido
Wrapover thermosetting soft close cover-seat for cm55 with quick release

bianco lucido/ shiny white

NUV 1818/F

cotone/cotton

NUV 1818 M/F



Sedile termoisolante avvolgente con chiusura frizionata
Wrapover thermosetting soft close

bianco lucido/ shiny white

NUV 1800/F

cotone/cotton

NUV 1800 M/F



Sedile termoisolante avvolgente per vaso
Wrapover thermosetting cover-seat

bianco lucido/ shiny white

NUV 1800



Curva tecnica per wc TRASLATO con distanza parete
* (solo per questa collezione da 60 a 150 mm)
Technical bend for adjustable flush system wc with wall distance ranging from 60 mm to 130 mm (*only for this collection)

CVTK



Curva tecnica per wc TRASLATO con distanza parete
* (solo per questa collezione da 160 a 220 mm)
Technical bend for adjustable flush system wc with wall distance ranging from 160 mm to 200 mm (*only for this collection)

CVTR



Raccordo eccentrico per entrata acqua
* (solo per questa collezione H435 o H405mm)
Eccentric joint for mm H380 or H350mm waterinlet (*only for this collection)

RDP



Curva tecnica per vaso normale e monoblocco
Technical bend for standing and close coupled wc

CVT

TECHNICAL SHEET n°: 01	DESIGNER: ANGELETTI RUZZA	CODE: NUVCTT000480	Azzurra sanitari in ceramica S.p.a. via Civita Castellana snc 01030 Castel S.Elia (VT) - ITALY Tel. +39.0761 518155 Fax. +39.0761 514560	
SHEET FORMAT: A4	ISO	REVISION: 02	SCALE: 1:20	DATE: 29/07/2019
REGULATIONS: CE EN 997 / EN33 / Dop-997 *				
All the measurements respect the tolerances provided by the "AZZURRA QUALITY GUIDELINES".				



* Regulations here shown are exclusively referred to ceramic items