

THVCSPA00010

codice
code



Vaso Thin sospeso 75 cm per diversamente abili con paertura frontale.
Thin cm 75 wall-hung WC for disabled people with frontal opening.

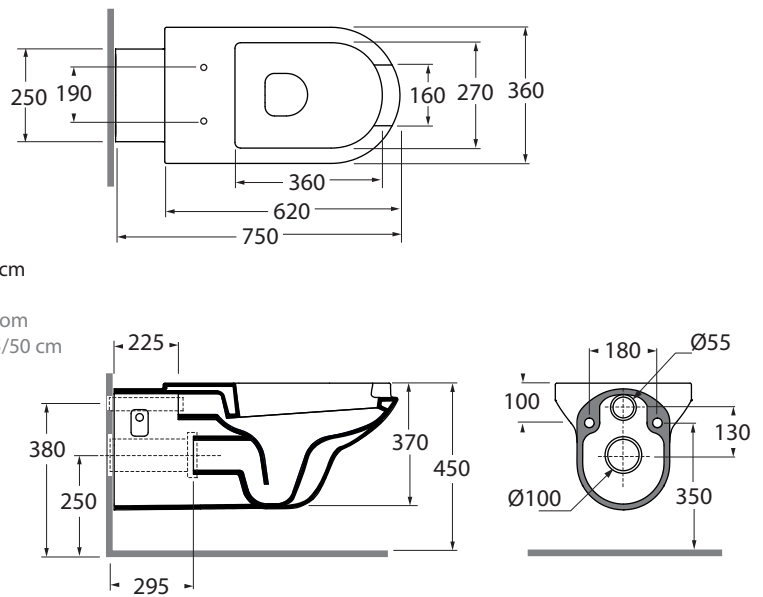
biancolucido/shiny white

THVCSPA00010BI

CM 75x36x37

plt italy pz.18 - plt export pcs.27

kg 25,5



Tecnologie/technologies:



4,5L



disabili

** Come da normativa l'altezza dal piano superiore al pavimento varia dai 45/50 cm

** According to the regulations the high from the upper plane to the changes from 45/50 cm

scala/scale 1:20 dimensioni/dimensions in mm

Complementi/complements:

Codice
code

Codice
code



Sedile in poliestere con apertura frontale
Polyester cover seat with frontal opening

bianco lucido/shiny white

THI 1800/DIS





Kit fissaggio a "elle" per vaso e bidet sospesi
"L" fixing kit for wall-hung wc and bidet

KIT 2000 C



Protezione antiurto e acustica per vaso e bidet sospesi
Shock absorption and acoustic protection for wall-hung wc and bidet

ISAC

| | | | | | |
|---|---|---------------------------|--|-------------------------|---|
| TECHNICAL SHEET n°: 01 | DESIGNER: ANGELETTI RUZZA | CODE: THVCSPA00010 | Azzurra sanitari in ceramica S.p.a. via Civita Castellana snc 01030 Castel S.Elia (VT) - ITALY Tel.+39.0761 518155 Fax.+39.0761 514560 | | |
| SHEET FORMAT: A4 |  ISO | REVISION: 02 | SCALE: 1:20 | DATE: 30/07/2019 |  |
| REGULATIONS: CE EN 997/ EN33 / Dop-997 * | | | | | |
| All the measurements respect the tolerances provided by the "AZZURRA QUALITY GUIDELINES". | | | | | |

* Regulations here shown are exclusively referred to ceramic items