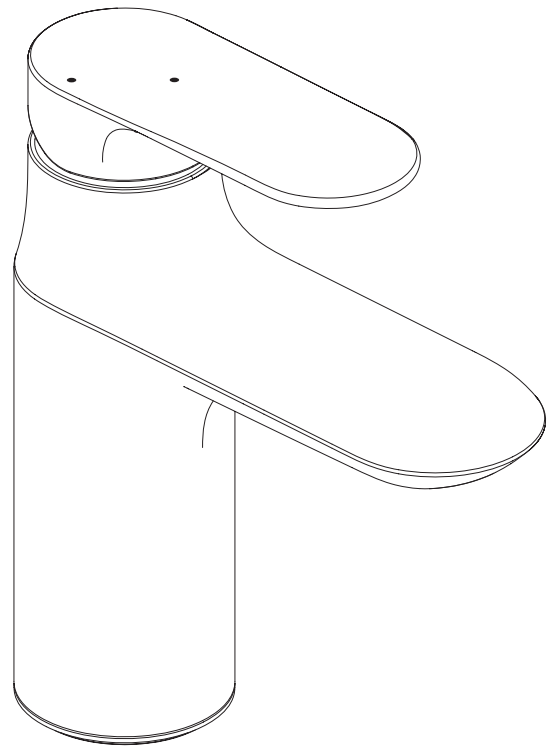
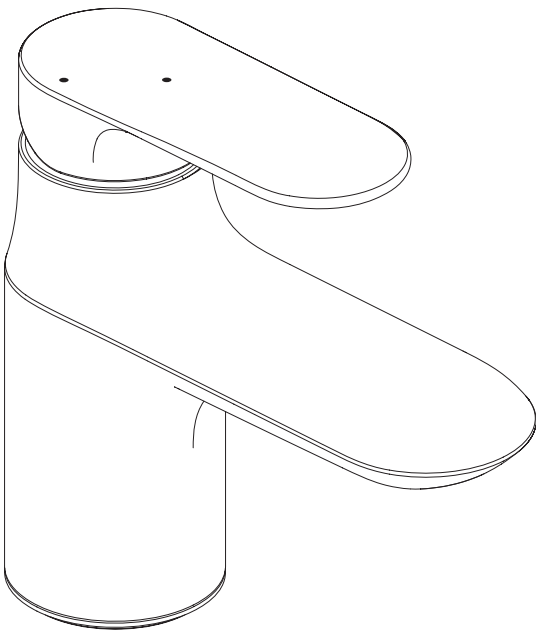
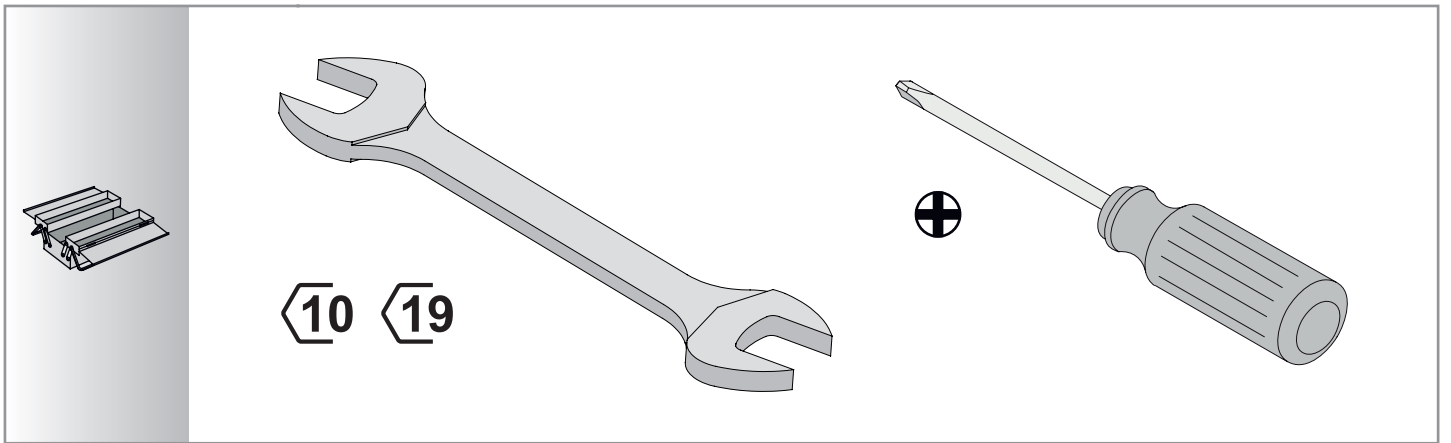



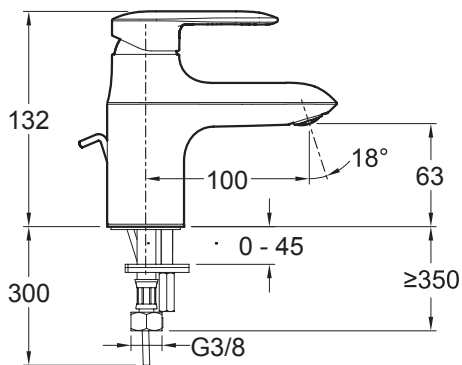
Jacob Delafon

KUMIN C3

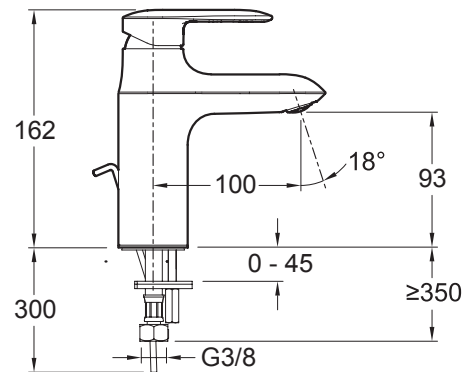




	P	Bar	0.5 < 3 < 6
	T	°C	55 < 60 < 65

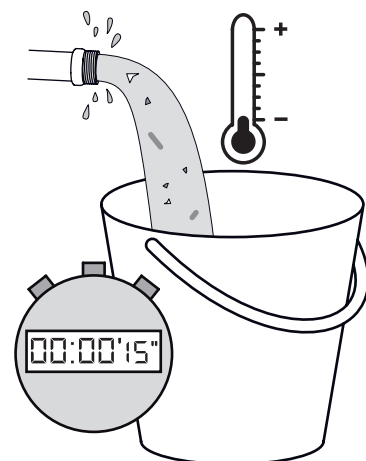
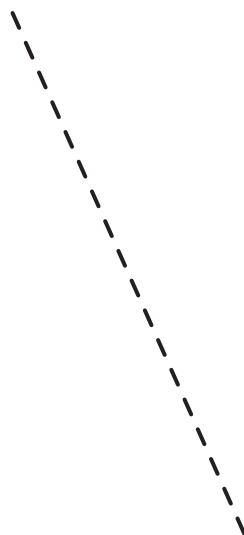


E99981-**

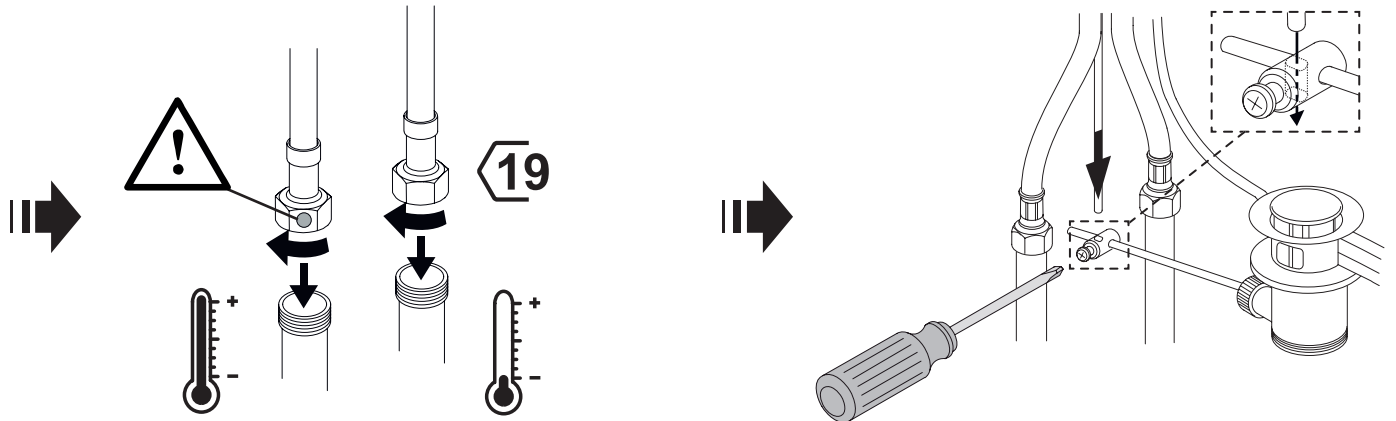
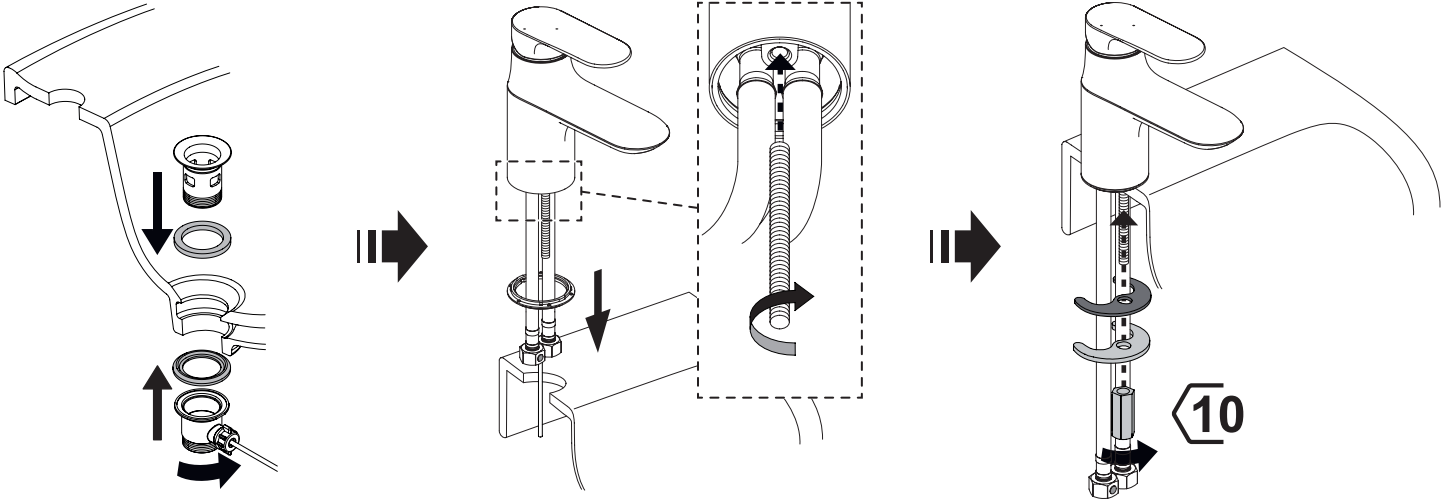
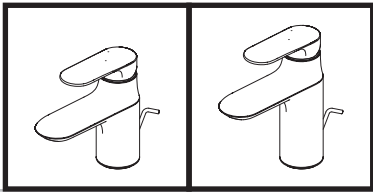


E99444-**

1



2



3

