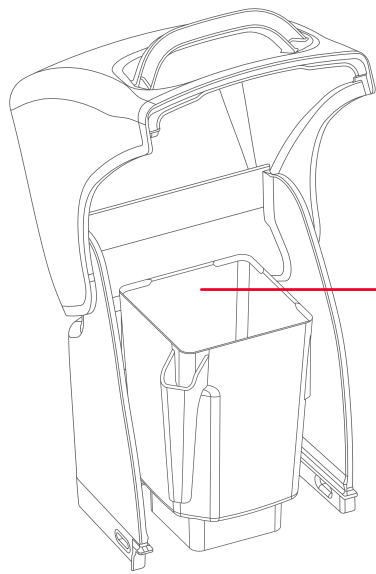






THE BLENDTEC DIFFERENCE



Durable, NSF Certified Jar

Lightweight, stackable jars feature an innovative design that increases blending efficiency and reduces overall blending time.



Blunt Safety Blade

Built to last, our blunt blade technology is stronger than traditional blades and without any sharp edges.



Hardened Metal Drive Socket

Unlike other brands with plastic drive sockets that break easily, our steel drive sockets are virtually indestructible.



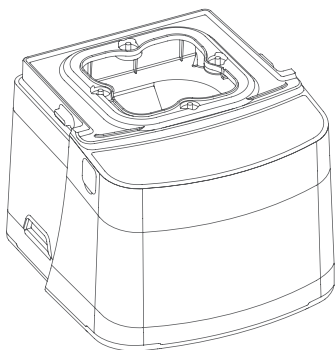
High-Speed Commercial Motor

A durable, high-speed motor, designed for hundreds of blends a day brings power to high-volume commercial kitchens.



Easy-Clean Interface

User-friendly interface offers one-touch blending for easy clean-up and consistent results.



PRODUCT IMPROVEMENTS



STEALTH BLENDERS

More water resistant than ever before with an upgraded motor mount washer on the blender base, and a newly designed keypad equipped with upgraded materials meant for durability.

Upgraded keypad layout to reduce keypad failure.

Upgraded sound enclosure magnet placements and layout to hold up against being slammed shut and general roughness.

Upgraded display ribbon on the touchpad for added vibration resistance.

DISPENSERS

Reinforced ice hopper motor mounting plate to reduce cracking over time.

Improved hall sensor system that gives more precise and reliable speed control.

Upgraded motor gasket for a better seal and increased water resistance.

An all- new product design now features the seam being located at the top of the alcove to reduce liquid leaking.

Ultrasonic welded magnet retainer for durability if the lid is dropped.

Bigger than ever internal drain tube to reduce the possibility of kinking and clogging.



Introducing **Blendtec inside**, our initiative to equip every dispensing machine with our advanced, commercially tested Blendtec motor. Our motor now runs cooler and longer, giving every machine an extended life cycle.



BLENDERS



STEALTH[®] NITRO X



blendtec
COMMERCIAL

CQB3 Stealth Nitro X

STEALTH[®] NITRO X



STEALTH TECHNOLOGY HELPS CREATE A CONVERSATION-FRIENDLY ATMOSPHERE

The Stealth Nitro X includes a sleek sound enclosure and proprietary airflow innovations that enable operation at the sound level of a normal conversation.

JARLESS BLENDING, THE FOREFRONT OF INNOVATION

Why waste ingredients when you can have amazingly proportioned drinks and smoothies blended right in the cup you give your customer? The Nitro Blending System minimizes waste, saves time, and increases your profit margin. Each Stealth Nitro X comes with two micronizers and two cup stands.



NBS RINGS

Every unit comes with four standard rings that fit 12 oz., 16 oz., 24 oz., and 32 oz. SOLO cups. Engineered to create a vacuum seal, each ring fits perfectly with its designated cup. Don't use SOLO cups for your business? No problem. The Blendtec team is standing by, ready to make custom rings that fit almost any plastic, paper or metal cup from 12-32oz.

**SOLO[®] is a trademark of the SOLO Cup Operating Corporation

ALL NEW TITAN X MOTOR

Introducing the new Titan X motor from Blendtec - built to be quieter, run cooler, and with a longer life than any motor before it. Internal motor brushes have been replaced with electronics to increase the lifetime of the motor, give more output and torque to make drinks quicker, and use less power. The Titan X is also equipped with dynamic braking, allowing the operator to remove the jar without waiting for the blade to stop spinning. Take advantage of less downtime by cutting out the need to replace machines and make more drinks without overheating - the blender even cools itself without running!



MOTOR	1800 Watt, 120V / 240V available
INTERFACE	Illuminated OLED display with tactile keypad
SOUND ENCLOSURE	Fully enclosed, easy-to-clean blending station. Advanced sound enclosure helps blender operate at the sound level of normal conversation.
PROGRAM CYCLES	42 Preprogrammed blend cycles, including 2 for the NBS attachment. Create custom or update included blend cycles via Blendtec's Blend Wizard™ online tool.
USAGE	Recommended daily blends: 200
DIMENSIONS	H: 17.3" (43.9 cm) D: 9.0" (22.9 cm) W: 8.6" (21.8 cm)
WEIGHT	15.8 lbs (7.2 kg)
CERTIFICATIONS	Conforms to applicable UL and CSA safety standards as well as NSF sanitation standards.



*For international warranty and certification details please see your in-country distributor.

WWW.BLENDTEC.COM/COMMERCIAL | 1-800-BLENDTEC

SPS-068 A01 Spec Sheet, Stealth X NBS, US ENG, JAN 2020

QOB3 Stealth Nitro X
blendtec
COMMERCIAL

STEALTH[®] NITRO



blendtec
COMMERCIAL

CQB2 STEALTH 895 NBS

STEALTH[®] NITRO



STEALTH TECHNOLOGY HELPS CREATE A CONVERSATION-FRIENDLY ATMOSPHERE

The Stealth Nitro includes a sleek sound enclosure and proprietary airflow innovations that enable operation at the sound level of a normal conversation.

BUILT TO SAVE TIME AND MONEY

All Blendtec blenders are built to meet the unique needs of the commercial customer. Each feature - from top to bottom - delivers simple operation and is designed to reduce overall cost.

JARLESS BLENDING, THE FOREFRONT OF INNOVATION

Why waste ingredients when you can have amazingly proportioned drinks and smoothies blended right in the cup you give your customer? The Nitro Blending System minimizes waste, saves time, and increases your profit margin. Each Stealth Nitro X comes with two micronizers and two cup stands.



NBS RINGS

Every unit comes with four standard rings that fit 12 oz., 16 oz., 24 oz., and 32 oz. SOLO cups. Engineered to create a vacuum seal, each ring fits perfectly with its designated cup. Don't use SOLO cups for your business? No problem. The Blendtec team is standing by, ready to make custom rings that fit almost any plastic, paper or metal cup from 12-32oz.

**SOLO[®] is a trademark of the "SOLO Cup Operating Corporation"

MOTOR	1800 Watt, 120V / 240V available
INTERFACE	Illuminated OLED display with tactile keypad
SOUND ENCLOSURE	Fully enclosed, easy-to-clean blending station. Advanced sound enclosure helps blender operate at the sound level of normal conversation.
PROGRAM CYCLES	42 Preprogrammed blend cycles, including 2 for the NBS attachment. Create custom or update included blend cycles via Blendtec's Blend Wizard™ online tool.
USAGE	Recommended daily blends: 200
DIMENSIONS	H: 17.3" (43.9 cm) D: 9.0" (22.9 cm) W: 8.6" (21.8 cm)
WEIGHT	15.8 lbs (7.2 kg)
CERTIFICATIONS	Conforms to applicable UL and CSA safety standards as well as NSF sanitation standards.



STEALTH[®] X



CQB3 Stealth X

STEALTH[®]X

OPTIONS



COUNTER TOP



IN-COUNTER

STEALTH TECHNOLOGY HELPS CREATE A CONVERSATION-FRIENDLY ATMOSPHERE

The Stealth X includes a sleek sound enclosure and proprietary airflow innovations that enable operation at the sound level of a normal conversation.

CUSTOMIZABLE CYCLES PROVIDE CONSISTENT RESULTS

In addition to 42 preprogrammed cycles, users can create custom blends with the online Blend Wizard™, then store up to 14 on the blender for one-touch operation.

TWO IS BETTER THAN ONE

Each blender now comes standard with two jars instead of one. This upgrade increases the lifecycle and durability of each jar, allowing for more time between replacements.

ALL NEW TITAN X MOTOR

Introducing the new Titan X motor from Blendtec - built to be quieter, run cooler, and with a longer life than any motor before it. Internal motor brushes have been replaced with electronics to increase the lifetime of the motor, give more output and torque to make drinks quicker, and use less power. The Titan X is also equipped with dynamic braking, allowing the operator to remove the jar without waiting for the blade to stop spinning. Take advantage of less downtime by cutting out the need to replace machines and make more drinks without overheating - the blender even cools itself without running!



NSF APPROVED BPA-FREE WILDSIDE+ JAR
14 SECONDS
TO AN AMAZING BLENDED DRINK



BLUNT BLADE TECHNOLOGY
STRONGER
THAN TRADITIONAL BLADES

MOTOR

1800 Watt, 120V / 240V available

INTERFACE

Illuminated OLED display with tactile keypad

SOUND ENCLOSURE

Fully enclosed, easy-to-clean blending station. Advanced sound enclosure helps blender operate at the sound level of normal conversation.

PROGRAM CYCLES

42 Preprogrammed blend cycles, including 2 for the NSB attachment. Create custom or update included blend cycles via Blendtec's Blend Wizard™ online tool.

USAGE

Recommended daily blends: 200

DIMENSIONS

H: 17.3" (43.9 cm)
D: 9.0" (22.9 cm)
W: 8.6" (21.8 cm)

WEIGHT

18.1 lbs (8.21 kg)

ADDITIONAL OPTIONS

In-counter version available

CERTIFICATIONS

Conforms to applicable UL and CSA safety standards as well as NSF sanitation standards.



NSF APPROVED



*For international warranty and certification details please see your in-country distributor.

WWW.BLENDTEC.COM/COMMERCIAL | 1-800-BLENDTEC

SPS-067 A01 Spec Sheet, Stealth X, US ENG, JAN 2020

QCB3 Stealth X
blendtec
COMMERCIAL

STEALTH[®]



CQB1 STEALTH 885

STEALTH[®]

OPTIONS



COUNTER TOP



IN-COUNTER

STEALTH TECHNOLOGY HELPS CREATE A CONVERSATION-FRIENDLY ATMOSPHERE

The Stealth includes a sleek sound enclosure and proprietary airflow innovations that enable operation at the sound level of a normal conversation.

CUSTOMIZABLE CYCLES PROVIDE CONSISTENT RESULTS

In addition to 42 preprogrammed cycles, users can create custom blends with the online Blend Wizard™, then store up to 14 on the blender for one-touch operation.

TWO IS BETTER THAN ONE

Each blender now comes standard with two jars instead of one. This upgrade increases the life-cycle and durability of each jar, allowing for more time between replacements.

BUILT TO SAVE TIME AND MONEY

All Blendtec blenders are built to meet the unique needs of the commercial customer. Each feature - from top to bottom - delivers simple operation and is designed to reduce overall cost.



NSF APPROVED BPA-FREE WILDSIDE+ JAR
14 SECONDS
TO AN AMAZING BLENDED DRINK



BLUNT BLADE TECHNOLOGY
STRONGER
THAN TRADITIONAL BLADES



ULTRA HIGH-SPEED MOTOR
1800 WATTS
BLENDS THE TOUGHEST INGREDIENTS

MOTOR

1800 Watt, 120V / 240V available

INTERFACE

Illuminated OLED display with tactile keypad

SOUND ENCLOSURE

Fully enclosed, easy-to-clean blending station. Advanced sound enclosure helps blender operate at the sound level of normal conversation.

PROGRAM CYCLES

42 Preprogrammed blend cycles, including 2 for the NSB attachment. Create custom or update included blend cycles via Blendtec's Blend Wizard™ online tool.

USAGE

Recommended daily blends: 200

DIMENSIONS

H: 17.3" (43.9 cm)
D: 9.0" (22.9 cm)
W: 8.6" (21.8 cm)

WEIGHT

18.1 lbs (8.21 kg)

ADDITIONAL OPTIONS

In-counter version available

CERTIFICATIONS

Conforms to applicable UL and CSA safety standards as well as NSF sanitation standards.



NSF APPROVED



*For international warranty and certification details please see your in-country distributor.

WWW.BLENDTEC.COM/COMMERCIAL | 1-800-BLENDTEC

SPS-050 A05, SPEC SHEET, STEALTH 885, US ENG, JAN 2020

CB1 STEALTH 885
blendtec
COMMERCIAL

CONNOISSEUR 825™



blendtec
COMMERCIAL



ICB5 Connoisseur 825

CONNOISSEUR 825™

OPTIONS



COUNTER TOP



IN-COUNTER

CUSTOMIZABLE PREPROGRAMMED CYCLES FOR CONSISTENT RESULTS

42 preprogrammed cycles blend your most popular recipes with amazing consistency, and our downloadable tool allows you to create an unlimited number of customized recipes.

SOUND ENCLOSURE REDUCES BLENDING NOISE

For shops where noise is a consideration, the sound enclosure minimizes blender noise, helping create a more conversation-friendly atmosphere.

TWO IS BETTER THAN ONE

Each blender now comes standard with two jars instead of one. This upgrade increases the life-cycle and durability of each jar, allowing for more time between replacements.

BUILT TO SAVE TIME AND MONEY

All Blendtec blenders are built to meet the unique needs of the commercial customer. Each feature - from top to bottom - delivers simple operation and is designed to reduce overall cost.



NSF APPROVED BPA-FREE WILDSIDE+ JAR
14 SECONDS
TO AN AMAZING BLENDED DRINK



BLUNT BLADE TECHNOLOGY
STRONGER
THAN TRADITIONAL BLADES



ULTRA HIGH-SPEED MOTOR
1800 WATTS
BLENDS THE TOUGHEST INGREDIENTS

MOTOR

1800 Watt, 120V / 240V available

INTERFACE

LCD display, push-button controls

SOUND ENCLOSURE

Reduces noise for quieter blending

PROGRAM CYCLES

42 preprogrammed blend cycles. USB port for added programmability. Create custom or update included blend cycles via Blendtec's Blend Wizard™ online tool.

USAGE

Recommended daily blends: 150

DIMENSIONS

H: 18.7" (47.5 cm)
D: 9.0" (22.9 cm)
W: 9.0" (22.9 cm)

WEIGHT

18.4 lbs (8.34 kg)

ADDITIONAL OPTIONS

Can be installed in-counter

CERTIFICATIONS

Conforms to applicable UL and CSA safety standards as well as NSF sanitation standards.



NSF APPROVED



*For international warranty and certification details please see your in-country distributor.

WWW.BLENDTEC.COM/COMMERCIAL | 1-800-BLENDTEC

SPS-040 A04, SPEC SHEET, CONNOISSEUR 825, US ENG, JAN 2020

ICB5 Connoisseur 825
blendtec
COMMERCIAL

CONNOISSEUR 825 SS[®]



blendtec
COMMERCIAL



ICB5 Connoisseur 825 SpaceSaver

CONNOISSEUR 825 SPACESAVER®

OPTIONS



COUNTER TOP



IN-COUNTER

CUSTOMIZABLE PREPROGRAMMED CYCLES FOR CONSISTENT RESULTS

42 preprogrammed cycles blend your most popular recipes with amazing consistency, and our downloadable tool allows you to create an unlimited number of customized recipes.

POWERFUL, ULTRA HIGH-SPEED MOTOR

The Connoisseur 825 Spacesaver boasts one of the largest, most powerful motors in the industry. This commercial-grade motor is built to last and has the power needed to handle the job.

TWO IS BETTER THAN ONE

Each blender now comes standard with two jars instead of one. This upgrade increases the lifecycle and durability of each jar, allowing for more time between replacements.

BUILT TO SAVE TIME AND MONEY

All Blendtec blenders are built to meet the unique needs of the commercial customer. Each feature - from top to bottom - delivers simple operation and is designed to reduce overall cost.



NSF APPROVED BPA-FREE WILDSIDE+ JAR

14 SECONDS
TO AN AMAZING BLENDED DRINK



BLUNT BLADE TECHNOLOGY

STRONGER
THAN TRADITIONAL BLADES



ULTRA HIGH-SPEED MOTOR

1800 WATTS
BLENDS THE TOUGHEST INGREDIENTS

MOTOR

1800 Watt, 120V / 240V available

INTERFACE

LCD display, push-button controls

PROGRAM CYCLES

42 preprogrammed cycles

USAGE

Recommended daily blends: 150

DIMENSIONS

H: 16.25" (41.275 cm)
D: 8.25" (20.96 cm)
W: 6.25" (15.88 cm)

WEIGHT

13.1 lbs (5.94 kg)

ADDITIONAL OPTIONS

Can be installed in-counter

CERTIFICATIONS

Conforms to applicable UL and CSA safety standards as well as NSF sanitation standards.



NSF APPROVED



*For international warranty and certification details please see your in-country distributor.

WWW.BLENDTEC.COM/COMMERCIAL | 1-800-BLENDTEC

SPS-052 A04, SPEC SHEET, CONNOISSEUR 825 SPACESAVER, US ENG, JAN 2020

ICB5 Connoisseur 825 SpaceSaver

blendtec
COMMERCIAL

CHEF 600™



blendtec
COMMERCIAL



ES3 Chef 600

CHEF 600™

OPTIONS



LOW AND HIGH PULSE

For greater flexibility, the Chef 600 offers two different pulse settings. The Low Pulse runs at a lower speed, making it ideal for chopping or mixing fragile ingredients, while the powerful High Pulse is ideal for blending and pureeing.

ONE-TOUCH KITCHEN CONTROLS

The Chef 600 gives you complete control with one-touch kitchen controls specifically designed for food prep. Each setting runs at a consistent speed without varying speeds of blend cycles and can be shut off manually or automatically after 90 seconds.

POWERFUL, ULTRA HIGH-SPEED MOTOR

The Chef 600 boasts one of the largest, most powerful motors in the industry. This commercial-grade motor is built to last and has the power needed to handle the job.

BUILT TO SAVE TIME AND MONEY

All Blendtec blenders are built to meet the unique needs of the commercial customer. Each feature - from top to bottom - delivers simple operation and is designed to reduce overall cost.



NSF APPROVED BPA-FREE WILDSIDE+ JAR
4 SIDES
FOR A BETTER BLENDING VORTEX



BLUNT BLADE TECHNOLOGY
STRONGER
THAN TRADITIONAL BLADES

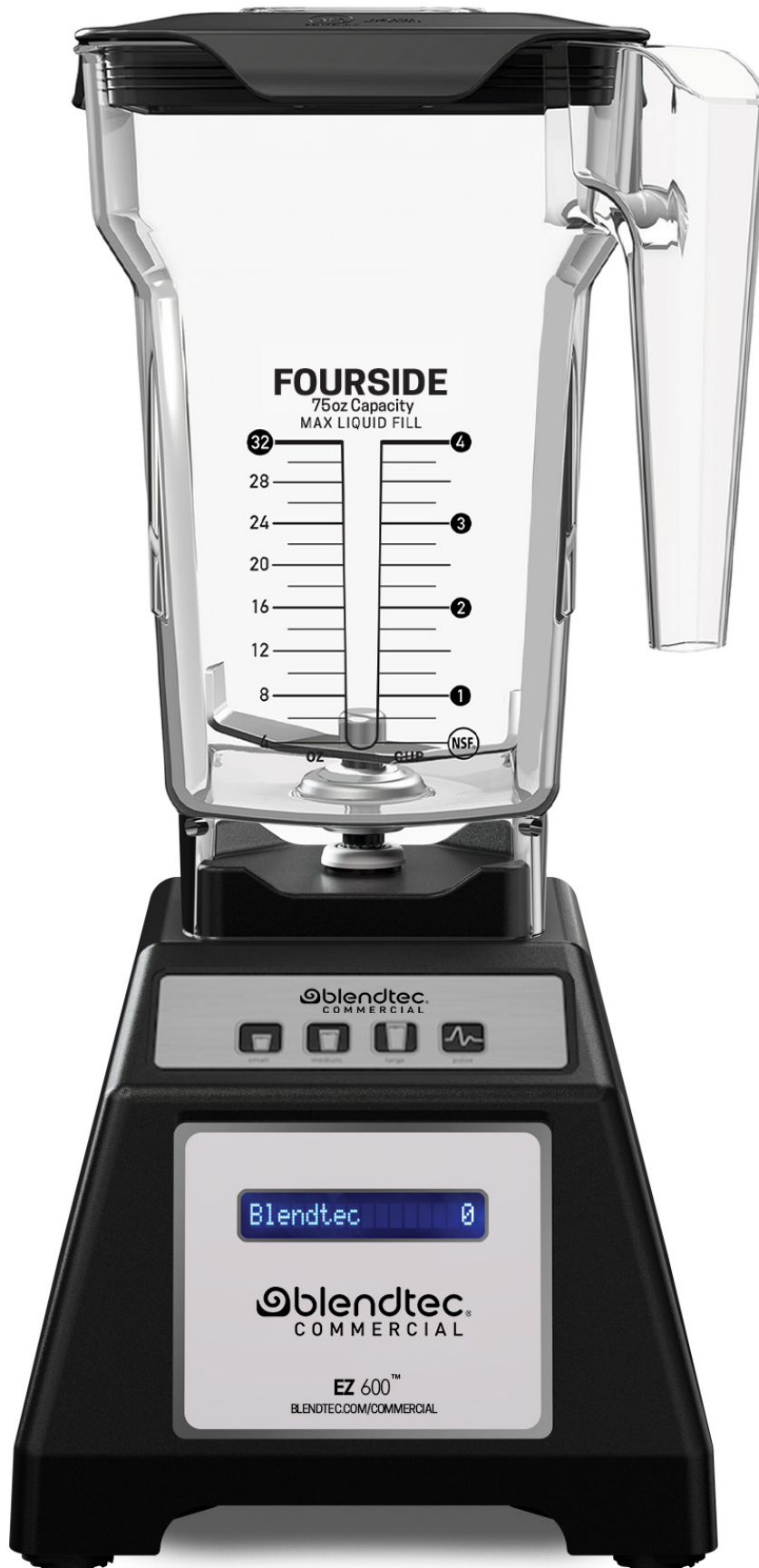


ULTRA HIGH-SPEED MOTOR
1560 WATTS
BLENDS THE TOUGHEST INGREDIENTS

MOTOR	1560 Watt, 120V / 240V available
INTERFACE	LCD display, push-button configuration
PROGRAM CYCLES	Low, Medium, High, Low Pulse, High Pulse
USAGE	Recommended daily blends: 60
DIMENSIONS	H: 15.0" (38.1 cm) D: 8.0" (20.3 cm) W: 7.0" (17.7 cm)
WEIGHT	7.3 lbs (3.3 kg)
CERTIFICATIONS	Conforms to applicable UL and CSA safety standards as well as NSF sanitation standards.



EZ 600[®]



EZ 600[®]

OPTIONS



PROFILES OFFER CONSISTENCY FOR VARIOUS DRINKS

The EZ 600 can be programmed specifically for smoothies, coffee beverages, or milkshakes, providing consistently smooth blends for drinks of all kinds.

ONE-TOUCH CONTROLS PROVIDE EASY OPERATION

Presets for Small, Medium, and Large beverages blend with a single touch and shut off automatically, making it easy for anyone to operate the EZ 600.

BUILT TO SAVE TIME AND MONEY

All Blendtec blenders are built to meet the unique needs of the commercial customer. Each feature - from top to bottom - delivers simple operation and is designed to reduce overall cost.



NSF APPROVED BPA-FREE WILDSIDE+ JAR
4 SIDES
FOR A BETTER BLENDING VORTEX



BLUNT BLADE TECHNOLOGY
STRONGER
THAN TRADITIONAL BLADES



ULTRA HIGH-SPEED MOTOR
1560 WATTS
BLENDS THE TOUGHEST INGREDIENTS

MOTOR 1560 Watt, 120V / 240V available

INTERFACE LCD display, push-button controls

PROFILES Smoothies, Coffee, Milkshake

PROGRAM CYCLES Small, Medium, Large, Pulse

USAGE Recommended daily blends: 60

DIMENSIONS H: 15.0" (38.1 cm)
D: 8.0" (20.3 cm)
W: 7.0" (17.7 cm)

WEIGHT 7.3 lbs (3.3 kg)

CERTIFICATIONS Conforms to applicable UL and CSA safety standards as well as NSF sanitation standards.



*For international warranty and certification details please see your in-country distributor.

WWW.BLENDTEC.COM/COMMERCIAL | 1-800-BLENDTEC

SPS-038 A04, SPEC SHEET, EZ 600, US ENG, JAN 2020

ES3 EZ 600
blendtec
COMMERCIAL



JARS



ERGO JAR™



blendtec
COMMERCIAL



ERGO JAR™



BALANCED AND ERGONOMIC

Blendtec continually makes innovating strides to meet the needs of the industry. Designed with your employees in mind, our Ergo Jar is no exception. The morning smoothie rush will fly by with ease as the lower handle provides improved balance and operator ease of use.

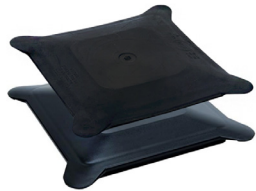
LOWERED CENTER OF GRAVITY

The placement of the Ergo Jar handle reduces stress and strain on the operator's wrist, while the added thumb rest provides a great grip.



LATCHING LID

Preferred for non-sound enclosure models



FLAT (HARD & SOFT)

For sound enclosure models only



NSF APPROVED BPA-FREE WILDSIDE+ JAR

14 SECONDS
TO AN AMAZING BLENDED DRINK



BLUNT BLADE TECHNOLOGY

STRONGER
THAN TRADITIONAL BLADES



REDESIGNED HANDLE PLACEMENT

ERGONOMIC DESIGN
REDUCES STRESS AND STRAIN



NSF APPROVED

SAFE AND STRONG

Made from durable Tritan™. These jars were built to last.

CUSTOMIZE

Custom jar graphics, label your jars, add your logo.

VERSATILITY

Blend smoothies, soups, frozen drinks, etc. Keeps your menu offering fresh.



WILDSIDE+ JAR™



blendtec
COMMERCIAL



WILDSIDE+ JAR™



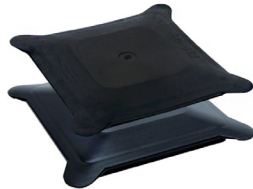
A FIVE-SIDED REVOLUTION

An exclusive, patented square design with a fifth side and large capacity produces thicker, faster blending and shorter customer wait times. It's extra-wide base, along with a more aggressive blade nearly 4 inches long, has helped the WildSide+ jar to raise the bar in the commercial blending category.



LATCHING LID

Preferred for non-sound enclosure models



FLAT (HARD & SOFT)

For sound enclosure models only



NSF APPROVED BPA-FREE WILDSIDE+ JAR

14 SECONDS
TO AN AMAZING BLENDED DRINK



BLUNT BLADE TECHNOLOGY

STRONGER
THAN TRADITIONAL BLADES



NSF APPROVED

SAFE AND STRONG

Made from durable Tritan™. These jars were built to last.

CUSTOMIZE

Custom jar graphics, label your jars, add your logo.

VERSATILITY

Blend smoothies, soups, frozen drinks, etc. Keeps your menu offering fresh.



*For international warranty and certification details please see your in-country distributor.

WWW.BLENDTEC.COM/COMMERCIAL | 1-800-BLENDTEC

SPS-045 A04, SPEC SHEET, WILDSIDE+ JAR, US ENG, JAN 2020

40-545
blendtec
COMMERCIAL

WILDSIDE+ COLORED JAR™



blendtec
COMMERCIAL



40-545

WILDSIDE+ COLORED JAR™

OPTIONS



SAFER FOR YOUR CUSTOMERS EASIER FOR YOUR EMPLOYEES

Keep everyone safe by avoiding cross-contamination of allergens. For example, use the red jar and lid for soy products and the yellow jar and lid for non-dairy. These jars and lids are NSF certified.

USE YOUR OWN BRANDING OR DESIGN

Make any of our clear or colored jars your own with custom logos or markings. Using Blendtec's colored jars and lids adds a splash of color to draw attention to your blend or brand.



LATCHING LID

Preferred for non-sound enclosure models



FLAT (HARD & SOFT)

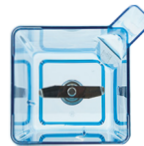
For sound enclosure models only

FASTER AND EASIER TO USE

Colored jars and lids make it easier for your employees to know which jar to use for specific blends. Prevent cross-contamination and focus on meeting individual customer needs.



REDUCE RISK
COLOR-CODED
FOR EASY REFERENCE



EXTREMELY DURABLE
EASTMAN TRITAN™
MAKES THESE JARS LAST



PROTECT YOU AND YOUR CUSTOMERS
BPA-FREE JARS
KEEPS YOUR KITCHEN ORGANIZED



NSF APPROVED

SAFE

Reduce risk of allergen exposure by using separate color-coded containers.

CUSTOMIZE

Custom jar graphics, label your jars, add your logo

VERSATILITY

Lids can also be color-coded and labeled (hard lids only)



FOURSIDE JAR™



blendtec
COMMERCIAL



FOURSIDE JAR™



THE TRUSTED ORIGINAL

The FourSide Jar's square shape and patented single-prong wingtip blade create a better blending vortex to micronize ingredients. This smaller jar is perfect for eateries that sell lower volumes of blended product.



LATCHING LID

Preferred for non-sound enclosure models



FLAT (HARD & SOFT)

For sound enclosure models only



BPA-FREE FOURSIDE JAR

14 SECONDS

TO AN AMAZING BLENDED DRINK



BLUNT BLADE TECHNOLOGY

STRONGER

THAN TRADITIONAL BLADES



NSF APPROVED

SAFE AND STRONG

Made from durable Tritan™. These jars were built to last.

CUSTOMIZE

Custom jar graphics, label your jars, add your logo.

VERSATILITY

Blend smoothies, soups, frozen drinks, etc. Keeps your menu offering fresh.



*For international warranty and certification details please see your in-country distributor.

WWW.BLENDTEC.COM/COMMERCIAL | 1-800-BLENDTEC

SPS-053 A03, SPEC SHEET, FOURSIDE JAR, US ENG, JAN 2020

40-541
blendtec
COMMERCIAL

FOURSIDE COLORED JAR™



blendtec
COMMERCIAL



FOURSIDE COLORED JAR™

OPTIONS



FASTER AND EASIER TO USE

FASTER AND EASIER TO USE

Colored jars and lids make it easier for your employees to know which jar to use for specific blends. Prevent cross-contamination and focus on meeting individual customer needs.

SAFER FOR YOUR CUSTOMERS EASIER FOR YOUR EMPLOYEES

Keep everyone safe by avoiding cross-contamination of allergens. For example, use the red jar and lid for soy products and the yellow jar and lid for non-dairy. These jars and lids are NSF certified.

USE YOUR OWN BRANDING OR DESIGN

Make any of our clear or colored jars your own with custom logos or markings. Using Blendtec's colored jars and lids adds a splash of color to draw attention to your blend or brand.



REDUCE RISK
COLOR-CODED
FOR EASY REFERENCE



EXTREMELY DURABLE
EASTMAN TRITAN™
MAKES THESE JARS LAST



LATCHING LID

Preferred for non-sound enclosure models



FLAT (HARD & SOFT)

For sound enclosure models only



PROTECT YOU AND YOUR CUSTOMERS
BPA-FREE JARS
KEEPS YOUR KITCHEN ORGANIZED



NSF APPROVED

SAFE

Simple to disassemble and clean

CUSTOMIZE

Easy one-push operation

VERSATILITY

Stainless steel nozzle for long-lasting operation



TWISTER JAR™



TWISTER JAR™



EVERY LAST MORSEL

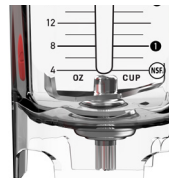
An exclusive, patented square design with a fifth side and large capacity produces thicker, faster blending and shorter customer wait times. It's extra-wide base, along with a more aggressive blade nearly 4 inches long, has helped the WildSide+ jar to raise the bar in the commercial blending category.

SMALLER BLENDS

An exclusive, patented square design with a fifth side and large capacity produces thicker, faster blending and shorter customer wait times. It's extra-wide base, along with a more aggressive blade nearly 4 inches long, has helped the WildSide+ jar to raise the bar in the commercial blending category.

PERFECT ADDITION

An exclusive, patented square design with a fifth side and large capacity produces thicker, faster blending and shorter customer wait times. It's extra-wide base, along with a more aggressive blade nearly 4 inches long, has helped the WildSide+ jar to raise the bar in the commercial blending category.



NSF APPROVED BPA-FREE JAR
14 SECONDS
TO AN AMAZING BLENDED DRINK



BLUNT BLADE TECHNOLOGY
STRONGER
THAN TRADITIONAL BLADES



PATENTED TWISTER LID



MINI GRIPPER LID



SPECTACULA



NSF APPROVED

SAFE AND STRONG

Made from durable Tritan™. These jars were built to last.

VERSATILITY

Blend nut butters, hummus, sorbets, etc. Keeps your menu offering fresh.

DIMENSIONS

H: 7.5" (22.86 cm)
D: 5.7" (14.02 cm)

WEIGHT

1.3 lbs (0.59 kg)



FROTHING JAR™



blendtec
COMMERCIAL



FROTHING JAR™



ROOM TO BREATHE

2 quarts of total volume provides a huge capacity for producing frothed liquids and foam. Instead of repeatedly creating single servings, you can now produce in batches and serve several customers at once.

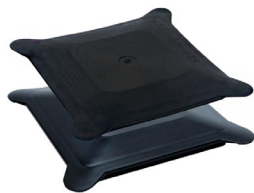
WAVE OF THE FUTURE

Our stainless steel blade features a “wave” blend which enhances the frothing capability - easily doubling the volume of many liquids. The blade works great for cold foam coffee, non-dairy milks, whipping cream, hot chocolate, syrup and more!



LATCHING LID

Preferred for non-sound enclosure models



FLAT (HARD & SOFT)

For sound enclosure models only



VIEW FROM THE TOP

Blendtec's innovative frothing blade



NSF APPROVED

USAGE

Quick and effective way to froth or aerate liquids

BLADE

2-7/8 diameter 300 series stainless steel blade with “wave” blend

VOLUME

Total Volume = 2 Quarts
Starting liquid volume = 32 ounces



RAPID RINSER™



RAPID RINSER™

OPTIONS



COUNTER TOP



IN-SINK

DURABLE CONSTRUCTION

The Rapid Rinse Station is made of chemical-resistant plastic. A stainless steel spray nozzle ensures long-lasting operation.

SMART DESIGN

Compact and low-profile, the Rapid Rinse fits neatly next to your Blendtec blender or dispenser. It features a closed valve system that prevents water leakage when water pressure drops.

EASY AND VERSATILE

Use the Rapid Rinse Station to rinse any container with a diameter of 8" or less. Pitchers, blender jars, measuring devices - anything! A gentle push on the platform is all it takes to activate the spray.



EXPANDABLE COVERAGE
30% MORE COVERAGE
COMPARED TO OTHER RINSERS



EASY TO OPERATE FUNCTIONALITY
1 PUSH OPERATION
SIMPLE AND QUICK TO USE



STACKABLE DRYING RACK
DRY AND STORE
KEEPS YOUR KITCHEN ORGANIZED

EASY

Simple to disassemble and clean

CONTROL

Easy one-push operation

SAFE & STRONG

Stainless steel nozzle for long-lasting operation

VERSATILITY

Effective for rinsing any container of 8" diameter or smaller

ADDITIONAL OPTIONS

Rinser Only or Ergonomic Version with Quick Disconnect

DIMENSIONS

H: 7.5" (19.1 cm)
D: 20.5" (52.1 cm)
W: 8.8" (22.2 cm)

WEIGHT

8.5 lbs (39 kg)

CERTIFICATIONS

NSF, Model JRE



*For international warranty and certification details please see your in-country distributor.



Dispensetec brings all the innovations and technology developed at Blendtec, crafted to power our one-of-a-kind dispensing products. Built specifically for high-volume locations, our equipment produces and houses ice, blends with dozens of syrup and flavouring combinations (including alcohol), and dispenses the final product in seconds. With Blendtec inside technology, you enjoy all of the brains and brawn that we've developed for decades in our commercial blenders - including our patented blade, motor, and jar technologies. Let our inventions grow your business quickly and efficiently, and offer more drink combinations than ever before.



DISPENSERS

REALSMOOTH[®]



REALSMOOTH®



INSTANT BLENDED SMOOTHIES

The RealSmooth delivers the best of instant frozen beverages and whole-food smoothies offering fresh, blended frozen drinks in seconds. RealSmooth is perfect for health-conscious customers.

BETTER INGREDIENTS, BETTER TASTE, BETTER VERSATILITY

Refrigerated ingredients not only taste better, but they can actually deliver on the claim of good nutrition. This is the machine C-stores, QSRs, cafeterias, and hospitality businesses have been waiting for to reach health oriented individuals and families.



ENTICE YOUR CUSTOMERS
REAL FRUIT
PROVIDES A HEALTHY ALTERNATIVE



ATTRACT NEW CUSTOMERS
HEALTH-CONSCIOUS
TARGETED MACHINE



SIMPLE ERGONOMIC DESIGN
EASY TO CLEAN
FOR YOUR EMPLOYEES

MOTOR

2x - 125VDC Motors

CONTROLS

Single-hand functionality with easy to press levers.

CAPACITY

6 gallon capacity

DIMENSIONS

H: 47.0" (119.4 cm)
D: 25.0" (63.5 cm)
W: 18.5" (47.0 cm)

WEIGHT

240 lbs (108.9 kg)

CERTIFICATIONS

Conforms to applicable UL and CSA safety



BD8™



 Dispensetec



BD8™



JUST ADD ICE

The BD8 combines water and up to eight different products through pumps that can handle anything from thick purees to alcohol. On-board electronics allow you to easily program recipes of up to 64 different menu items. Employees simply add ice to the jar, select the desired program and the BD8 does the rest.

A GREAT SOLUTION FOR CONSISTENCY AT HIGH-VOLUME LOCATIONS

The powerful 1800 watt motor quickly turns your ingredients into a consistently delicious treat. The automation of the BD8 means your employees can deliver drinks with a consistent product mix each and every time.

ADD DOZENS OF HIGH-MARGIN MENU ITEMS

Dispensing up to eight different shelf stable, bag-in-the-box products at a time, the BDI is the all-in-one way to instantly expand your drink menu offering. Achieve a consistent mix of up to 64 different flavor combinations. There's sure to be a favorite for each and every customer!

64

8 DISPENSING LINES

64 COMBINATIONS

EXPAND YOUR MENU OFFERING



BLUNT BLADE TECHNOLOGY

STRONGER

THAN TRADITIONAL BLADES



ULTRA HIGH-SPEED MOTOR

1800 WATTS

BLENDS THE TOUGHEST INGREDIENTS

BLENDER MOTOR

1800 Watt, 120V / 220V available

CONTROLS

Easy-to-clean tactile buttons allow for quick use.

SOUND ENCLOSURE

Fully enclosed, easy-to-clean blending station. Advanced sound enclosure helps blender operate at a lower sound level reducing additional noise to your customers.

DRINK COMBINATIONS

8 different dispensing line provide 64 different drink combinations.

DIMENSIONS

H: 32.0" (81.3 cm)
D: 21.0" (53.3 cm)
W: 12.0" (30.5 cm)

WEIGHT

96.0 lbs (43.54 kg)

CERTIFICATIONS

ETL, NSF



NSF APPROVED



BD8-503

 **Dispensetec**

*For international warranty and certification details please see your in-country distributor.

WWW.BLENDTEC.COM/COMMERCIAL | 1-800-BLENDTEC

SPS-059 A02, SPEC SHEET, BD8, US ENG, JAN 2020

BDI™



Dispensetec



BDI™



THE SMARTEST, SIMPLEST WAY TO CREATE FROZEN DRINKS

Forget the ice scoops and measuring cups. The BDI includes everything necessary for your complete blended drink program. With the touch of a few buttons, employees will quickly and consistently blend dozens of high-margin smoothies, coffee treats, and blended alcoholic beverages.

A GREAT SOLUTION FOR CONSISTENCY AT HIGH-VOLUME LOCATIONS

In a busy foodservice environment, speed and consistency are everything. We designed the super-high-powered BDI to deliver it all at the touch of a button. So employees can focus on serving customers while the BDI does all the work, blending two or more frozen drinks per minute, when making doubles or triples.

ADD DOZENS OF HIGH-MARGIN MENU ITEMS

Dispensing up to eight different shelf stable, bag-in-the-box products at a time, the BDI is the all-in-one way to instantly expand your drink menu offering. Achieve a consistent mix of up to 64 different flavor combinations. There's sure to be a favorite for each and every customer!

64

8 DISPENSING LINES

64 COMBINATIONS

EXPAND YOUR MENU OFFERING



BLUNT BLADE TECHNOLOGY

STRONGER

THAN TRADITIONAL BLADES



ULTRA HIGH-SPEED MOTOR

1800 WATTS

BLENDS THE TOUGHEST INGREDIENTS

BLENDER MOTOR

1800 Watt, 120V / 220V available

CONTROLS

Easy-to-clean tactile buttons allow for quick use.

SOUND ENCLOSURE

Fully enclosed, easy-to-clean blending station. Advanced sound enclosure helps blender operate at a lower sound level reducing additional noise to your customers.

DRINK COMBINATIONS

8 different dispensing line provide 64 different drink combinations.

DIMENSIONS

H: 32.0" (81.3 cm)
D: 21.0" (53.3 cm)
W: 12.0" (30.5 cm)

WEIGHT

96.0 lbs (43.54 kg)

CERTIFICATIONS

ETL, NSF



NSF APPROVED



*For international warranty and certification details please see your in-country distributor.

WWW.BLENDTEC.COM/COMMERCIAL | 1-800-BLENDTEC

SPS-060 A02, SPEC SHEET, BDI, US ENG, JAN 2020

BDI-503

Dispensetec

BI™



 Dispensetec.



BI™



MAKING DELICIOUS DRINKS HAS NEVER BEEN EASIER

The versatile BI combines an ice dispenser, a water dispenser, and a powerful direct-drive Blendtec motor all in one machine. Just add your own product into the jar and place inside. Then with the touch of a few buttons, amazing drinks are created time after time.

YOU SUPPLY THE PRODUCT, THE BI DOES THE REST

The BI will easily dispense cube and crescent ice, as well as water; just add product. The powerful 1800 watt motor eliminates the need to shave the ice before it goes into the jar. The programmed blend cycles create great drinks consistently time after time.

ADD DOZENS OF HIGH-MARGIN MENU ITEMS

Programmable with up to 64 different drink recipes, you can quickly add dozens of profitable blended drinks to your menu while avoiding the trial and error of making consistent drinks.

25

MAXIMUM ICE CAPACITY

25 LB ICE HOPPER

REDUCING ICE RELOAD TIME



BLUNT BLADE TECHNOLOGY

STRONGER

THAN TRADITIONAL BLADES



ULTRA HIGH-SPEED MOTOR

1800 WATTS

BLENDS THE TOUGHEST INGREDIENTS

BLENDER MOTOR

1800 Watt, 120V / 220V available

CONTROLS

Easy-to-clean tactile buttons allow for quick use.

SOUND ENCLOSURE

Fully enclosed, easy-to-clean blending station. Advanced sound enclosure helps blender operate at a lower sound level reducing additional sound to your customers.

DRINK COMBINATIONS

25 lb insulated ice hopper

DIMENSIONS

H: 32.0" (81.3 cm)
D: 21.0" (53.3 cm)
W: 12.0" (30.5 cm)

WEIGHT

72.0 lbs (32.66 kg)

CERTIFICATIONS

ETL, NSF



NSF APPROVED



BI-503

Dispensetec

SELF-SERVE™



©Dispensetec



SELF-SERVE™



OFFER A FULL LINE OF SMOOTHIES

The Blendtec Self-Serve Smoothie Machine makes it possible for you to immediately tap into new revenue streams. Smoothies now have more menu appearances than shakes, and command a higher price point with better margins.

HANDS-OFF, LABOR-FREE

Not only does the Self-Serve produce amazing blended drinks, it also cleans and sanitizes the dispensing lines to keep product flowing properly and producing consistent drinks. Plus, an optional front monitor provides ad space to announce store specials or other promotions.



CUSTOMIZABLE TOUCH INTERFACE
FULLY DIGITAL
ENHANCED USER EXPERIENCE



ATTRACT NEW CUSTOMERS
HEALTH-CONSCIOUS
TARGETED MACHINE



SIMPLE, ERGONOMIC DESIGN
EASY TO CLEAN
GREAT FOR CUSTOMERS AND EMPLOYEES

BLENDER MOTOR	1800 Watt, Powerful 15-amp direct drive
INTERFACE	Easy-to-use flavor selector and one-touch operation
CAPACITY	Precise blended products with ice, water, and liquid or juice concentrate. Integrated ice machine makes up to 400 lbs in 24 hours.
DIMENSIONS	H: 44.0" (111.8 cm) D: 33.0" (83.8 cm) W: 22.5" (57.2 cm)
WEIGHT	76.0 lbs (34.47 kg)
CERTIFICATIONS	ETL & NSF



D8™



© Dispensetec



D8

D8™



MANAGE ALL YOUR FLAVORS AND PORTIONS WITH ONE MACHINE

The D8 accurately manages all your flavor options, giving you up to 64 different combinations for your menu. Easily dispense water, flavorings, syrups - even alcohol with our robust and durable machine.

SMALL BUT MIGHTY

Pressed for counter space? The D8 is designed to take up as little space as possible, letting you customize its placement with ease.



8 DISPENSING LINES

64 COMBINATIONS

EXPAND YOUR MENU OFFERING



SIMPLE, ERGONOMIC DESIGN

EASY TO CLEAN

REMOVABLE DRIP TRAY

INTERFACE

Easy-to-use tactile interface

CAPACITY

8 dispensing lines offer 64 drink combinations

DIMENSIONS

H: 22.0" (55.9 cm)
D: 17.75" (45.1 cm)
W: 9.25" (23.5 cm)

WEIGHT

41.25 lbs (18.71kg)



NSF APPROVED



*For international warranty and certification details please see your in-country distributor.

WWW.BLENDTEC.COM/COMMERCIAL | 1-800-BLENDTEC

SPS-066 A01 Spec Sheet, D8, US ENG, JAN 2020

D8

 **Dispensetec**

COMMERCIAL BLENDERS 2020



STEALTH NITRO / NITRO X



STEALTH / X



CONNOISSEUR 825



**CONNOISSEUR 825
SPACE SAVER**



CHEF 600



EZ 600

WATTAGE	1800	1800	1800	1800	1560	1560
RECOMMENDED BLENDS PER DAY	200	200	150	150	60	60
BEVERAGE BLENDING						
FOOD PREP						
INTERFACE	EASY-CLEAN TACTILE INTERFACE	EASY-CLEAN TACTILE INTERFACE	EASY-CLEAN TACTILE INTERFACE	EASY-CLEAN TACTILE INTERFACE	EASY-CLEAN TACTILE INTERFACE	EASY-CLEAN TACTILE INTERFACE
PROGRAMMABLE	+BLEND WIZARD	+BLEND WIZARD	+BLEND WIZARD	+BLEND WIZARD		
SOUND ENCLOSURE	+STEALTH TECHNOLOGY	+STEALTH TECHNOLOGY				
PROGRAMS / CYCLES	42 + PULSE	42 + PULSE	42 + PULSE	42 + PULSE	LOW, MEDIUM, HIGH +LOW PULSE +HIGH PULSE	3 + HIGH/LOW + PULSE
DIMENSIONS	H: 17.3" (43.9 cm) D: 9.0" (22.9 cm) W: 8.6" (21.8 cm)	H: 17.3" (43.9 cm) D: 9.0" (22.9 cm) W: 8.6" (21.8 cm)	H: 18.7" (47.5 cm) D: 9.0" (22.9 cm) W: 9.0" (22.9 cm)	H: 16.25" (41.275 cm) D: 8.25" (20.96 cm) W: 6.25" (15.88 cm)	H: 15.0" (38.1 cm) D: 8.0" (20.3 cm) W: 7.0" (17.7 cm)	H: 15.0" (38.1 cm) D: 8.0" (20.3 cm) W: 7.0" (17.7 cm)
WEIGHT	15.8 lbs (7.2 kg)	18.1 lbs (8.2 kg)	18.4 lbs (8.3 kg)	13.1 lbs (5.9 kg)	7.3 lbs (3.3 kg)	7.3 lbs (3.3 kg)
WARRANTY	3/4 YEAR	3/4 YEAR	3 YEAR	3 YEAR	1 YEAR	1 YEAR

**MORE THAN
JUST
SMOOTHIES.**





 **blendtec**[®]
COMMERCIAL



www.blendtec.com

1206 South 1680 West
84058 Orem, Utah, USA

MKT-CD-250 A02 CATALOG, COMMERCIAL, US ENG, JAN 2020