

SET LAUFEN PRO S

Countertop basin

81396.5



TECHNICAL DATA

Order no.	81396.5
Certified to	EN 31
Dimensions	850 x 465 mm
Inside dimensions of the basin	670 x 285 mm
matching for	Vanity unit Laufen Pro S, order no. 48350.1, 48350.2
Specification	Charge 104 – 1 centre tap hole
Special specification	Charge 108 – 3 tap holes Charge 109 – without tap hole Charge 136 – 3 tap holes, distance 8 inches
Weight	21,7 kg
Accessories excl.	Siphon cover, order no. 81996.3 (3 tap holes not possible) Pedestal, order no. 81996.2 Towel rack, order no. 38596.0 Towel rail, order no. 89542.5

Mounting acc. excl. Mounting set M10 x 140 mm, order no. 89988.2

Colours see colour table

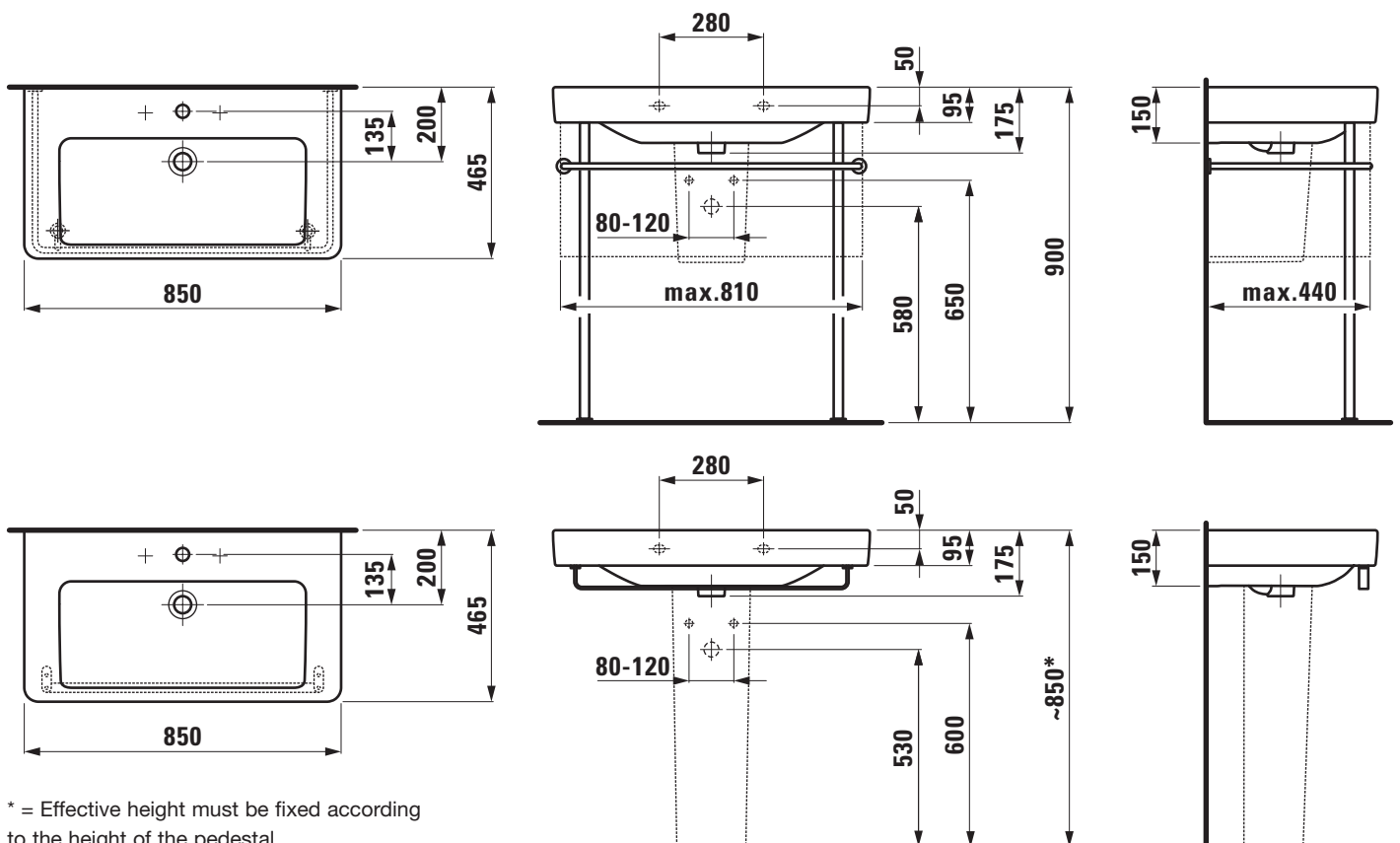
SPECIFICATION TEXT

Countertop basin LAUFEN PRO S, sanitary ceramic EN 31, dimensions 850 x 465 mm, angular 1 centre tap hole

Special feature: overflow channel glazed

Further options / accessories: Surface refinement LCC (only white), 3 tap holes, without tap holes, 3 tap holes distance 8 inches, siphon cover, pedestal, towel rack, bathtubs, vanity unit, furniture
Order no. 81396.5

TECHNICAL DRAWINGS / S 1 : 20



* = Effective height must be fixed according to the height of the pedestal.