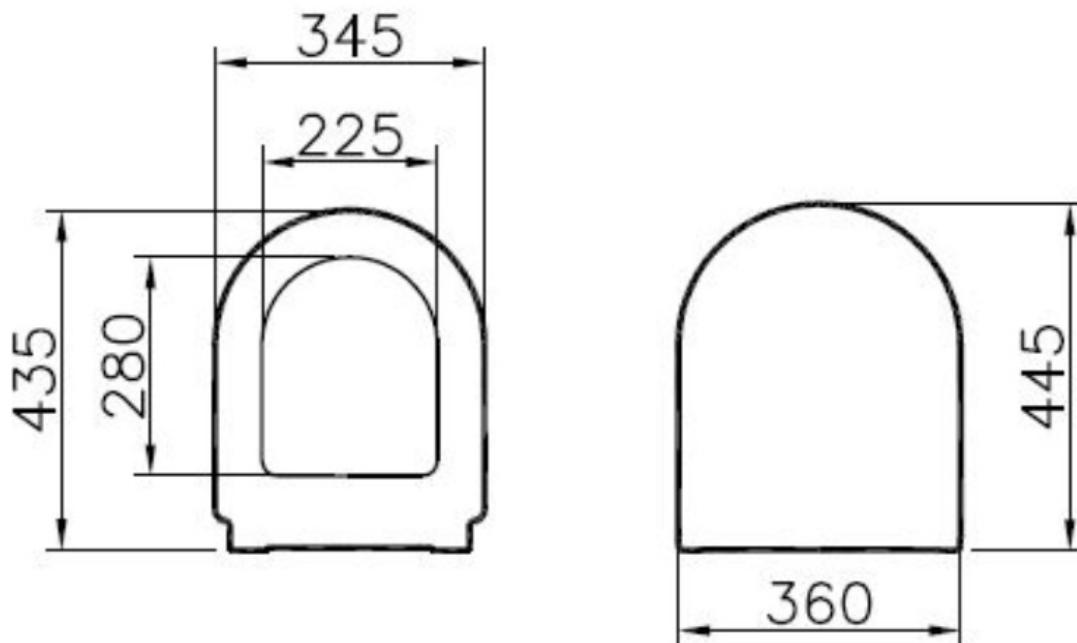


VitrA

Description S50 Wc Seat Duroplast

Code 72-003-309
Hinge Option Metal Hinge, Top Fixing
Soft-Close Available
Material Duroplast
Compatible Products 5745B003-7200
VitrAclean No
Product Properties Soft-Close
Colour White
Width 36



VitrA retains the right to change details about the products and technical specifications without prior notice.