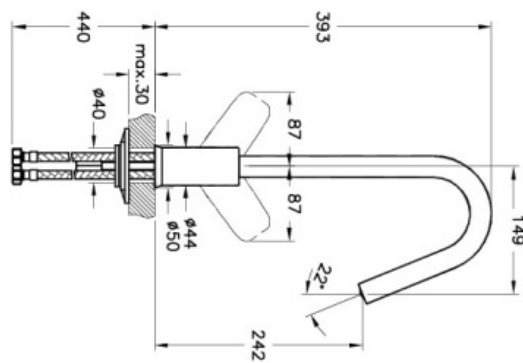
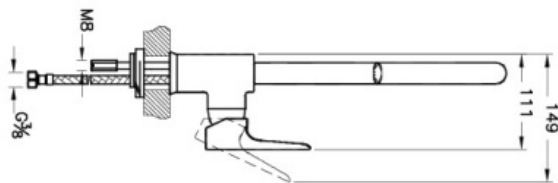


Description	X-Line Sink Mixer
Code	A42115EXP
Installation Type	Standard
Product Properties	Extra Water Saving
Water Label	A
Working Pressure	0,5-10 Bar (Recommended 3-5 Bar)
EPD	Yes
Coating	Chrome
Cartridge	35 mm Cartridge Flow and Temperature Adjustable
Aerator	Aerator-Honeycomb
Colour	Chrome



VitrA retains the right to change details about the products and technical specifications without prior notice.