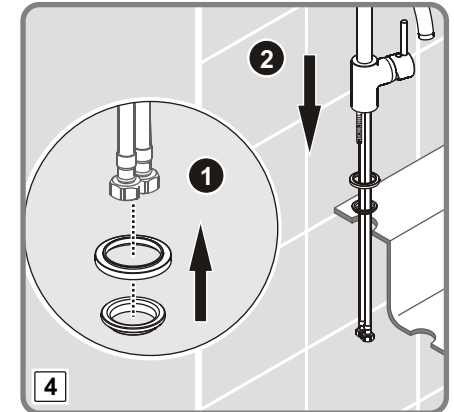
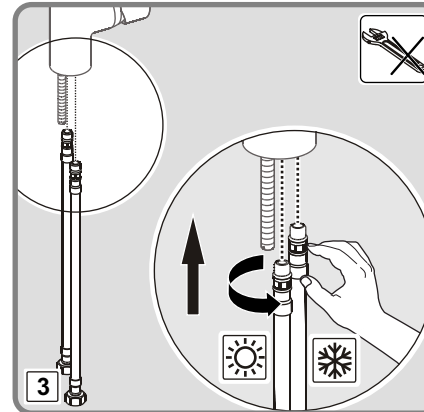
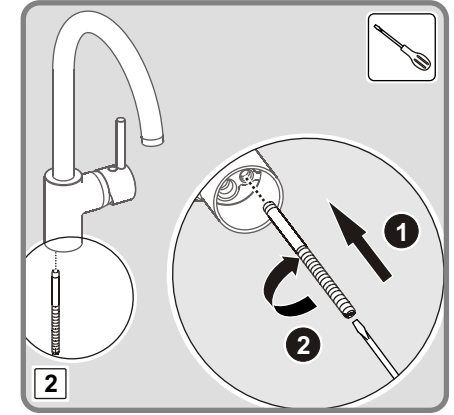
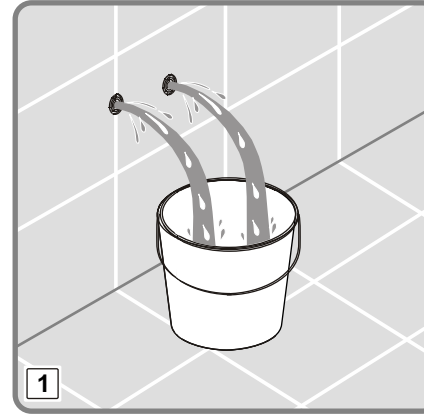
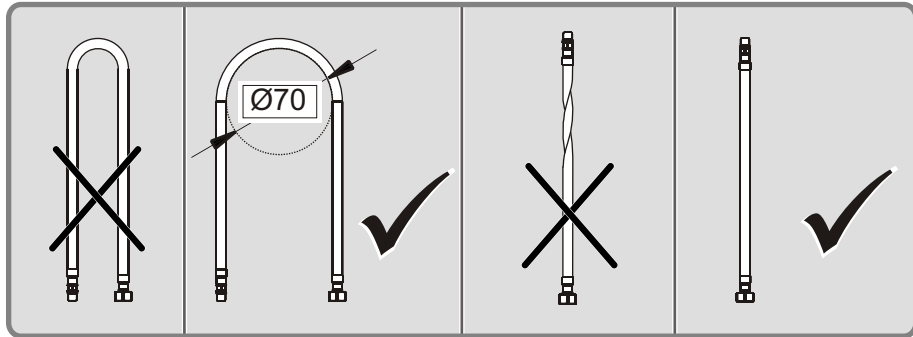
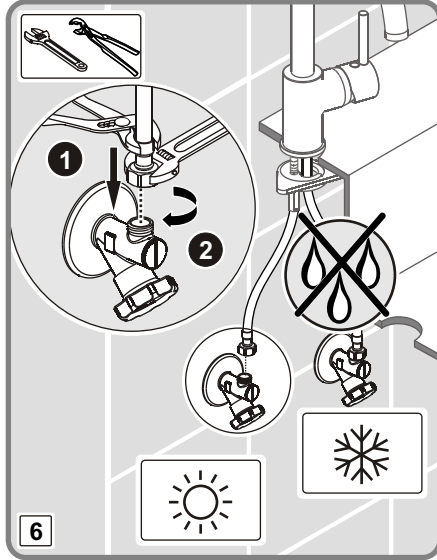
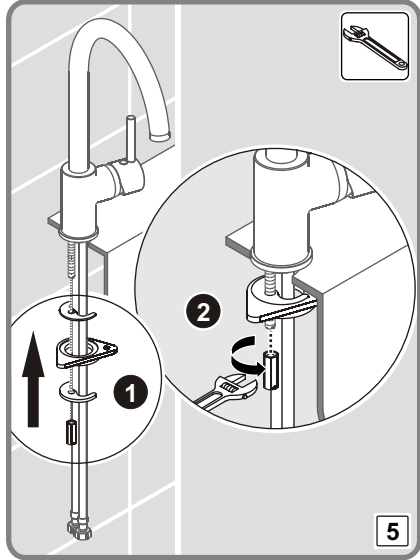


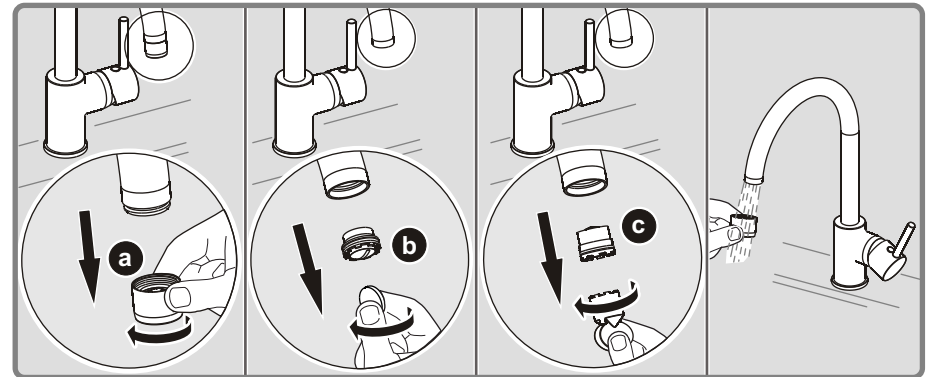
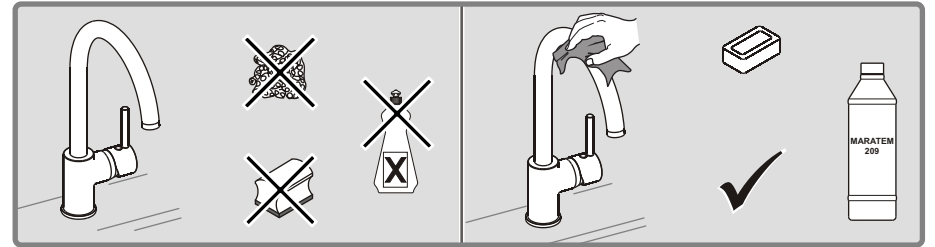
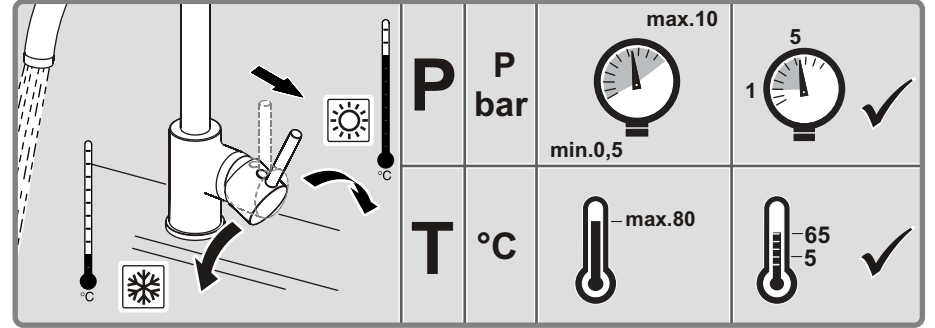
*The feature of temperature and flow rate adjustment is valid for certain models.



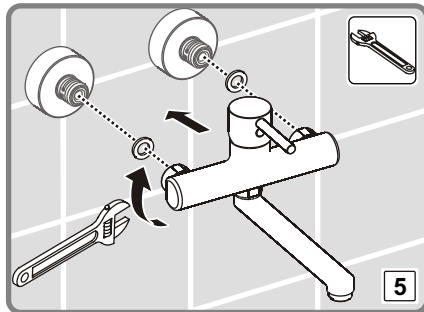
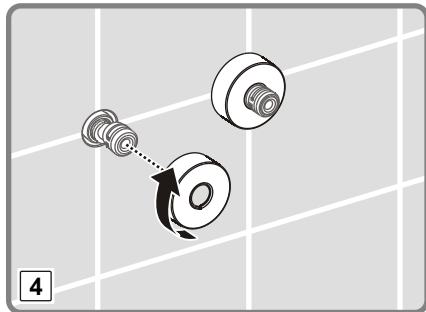
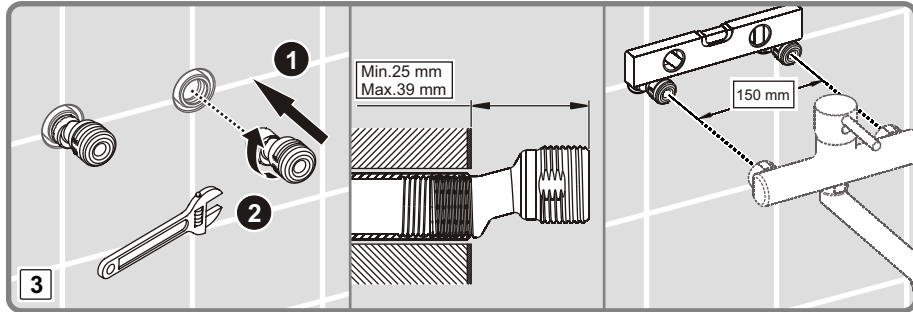
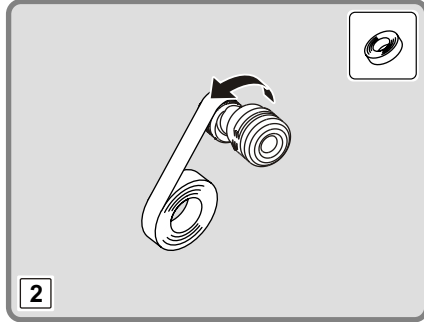
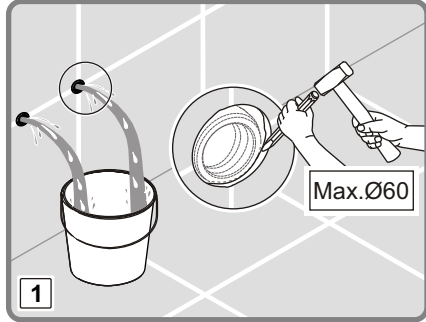
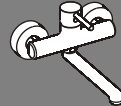
VitrA



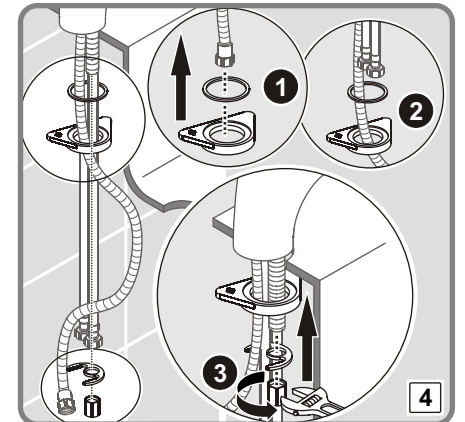
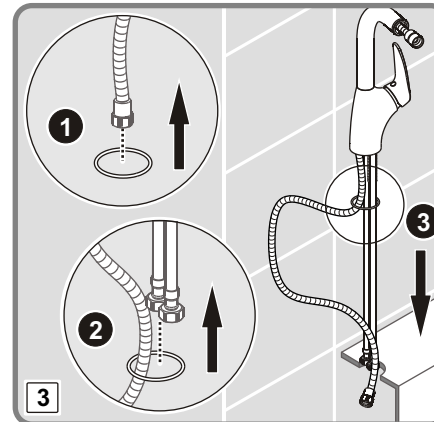
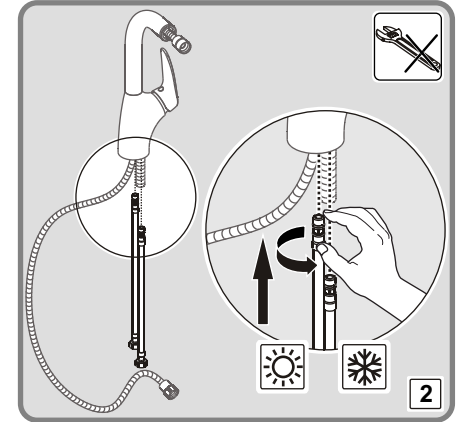
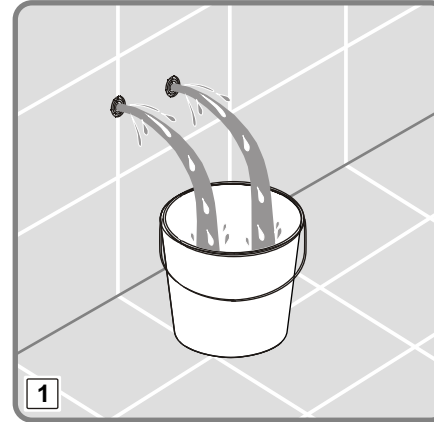
VitrA



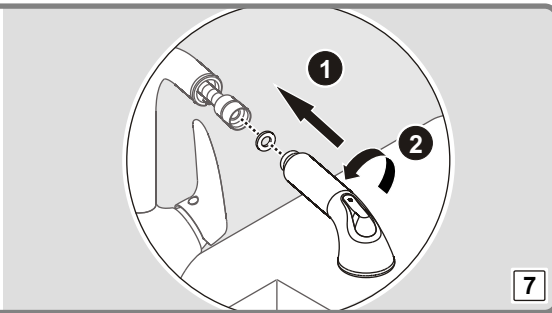
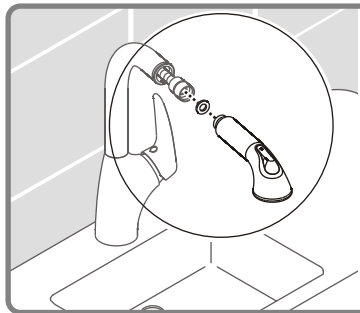
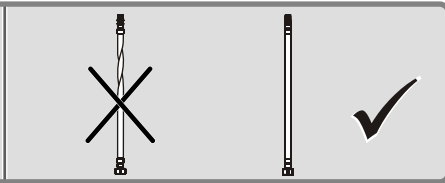
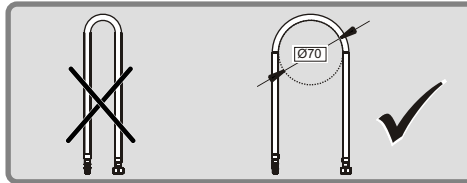
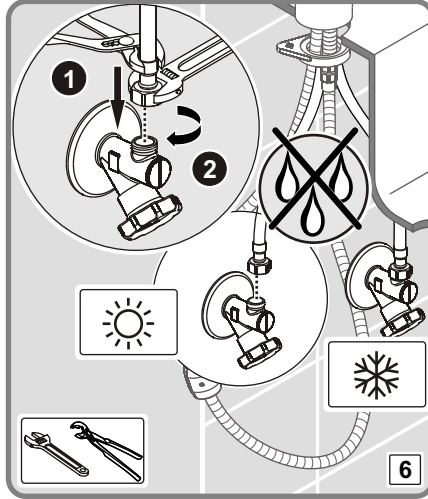
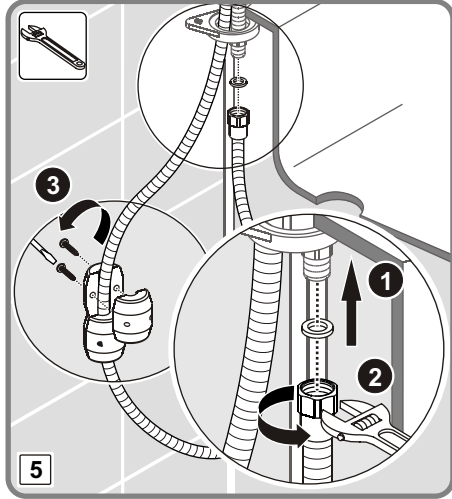
VitrA



VitrA



VitrA



VitrA

