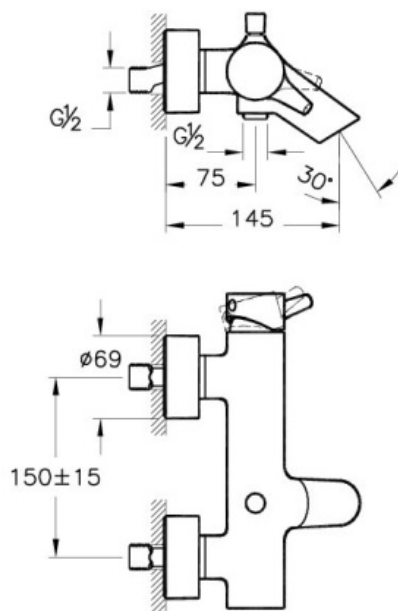

Description	Nest Trendy Bath/Shower Mixer
Code	A42242EXP
Installation Type	Standard
Product Properties	Energy Saving
Working Pressure	0,5-10 Bar (Recommended 3-5 Bar)
EPD	Yes
Coating	Chrome
Cartridge	40 mm Cartridge Flow and Temperature Adjustable
Aerator	Aerator-Silicon
Colour	Chrome



VitrA retains the right to change details about the products and technical specifications without prior notice.