
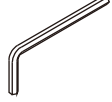
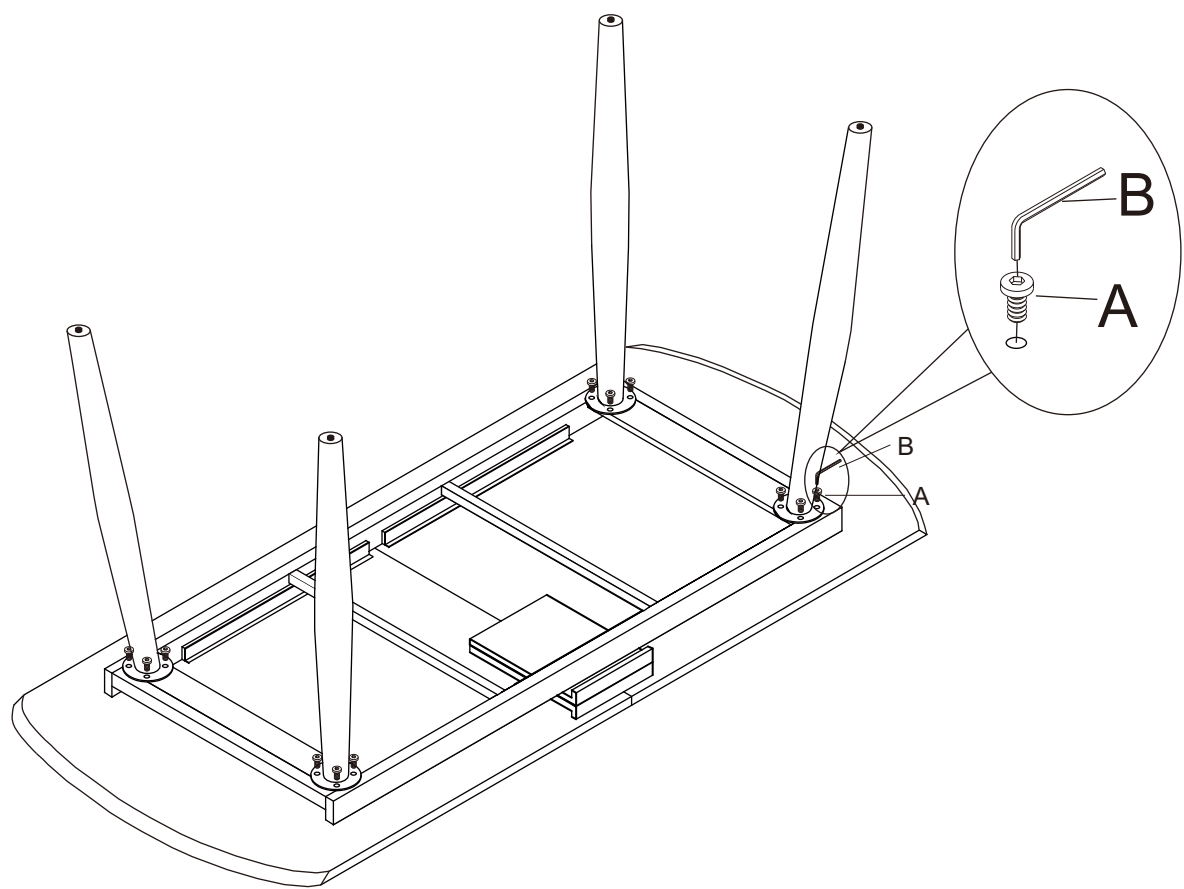


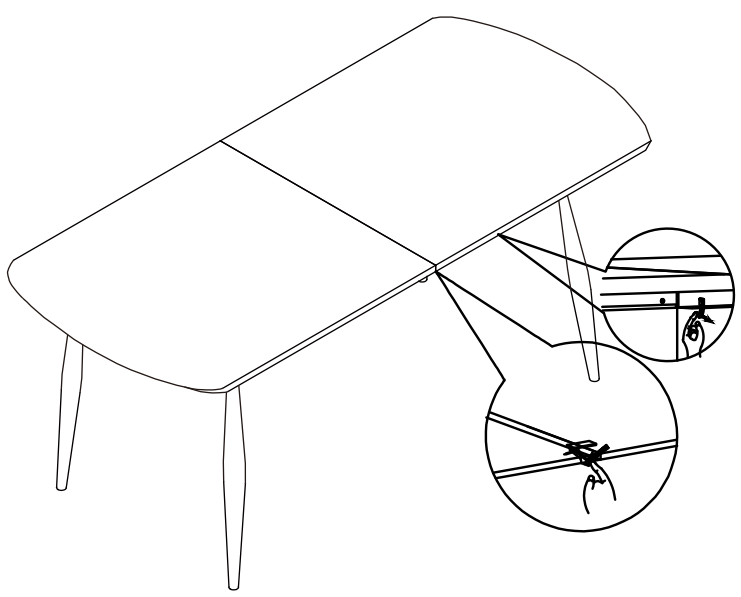
ASSEMBLY INSTRUCTION DT-964

A  Ax12	B  Bx1	C	D	E		
--	---	---	---	---	--	--

STEP 1.



STEP 2.



STEP 3.

