



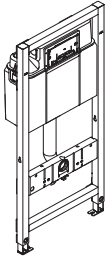
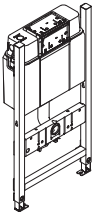
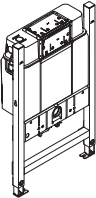
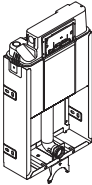
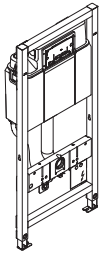
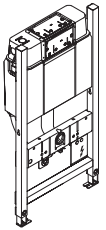
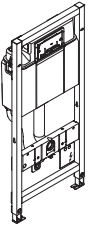
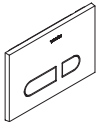
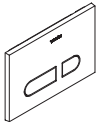
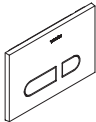
Pre-installation Data Sheet

DuraSystem®

Index

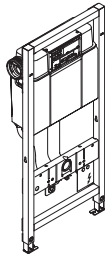
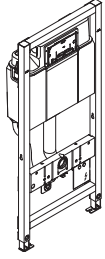
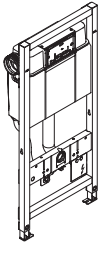
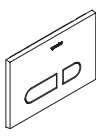
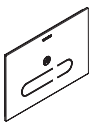
Index	2
DuraSystem® product information	3
General planning tips	7
Standards and regulations	9
Noise protection	10
Electrical installation	11
Water and waste water	14
DuraSystem® data sheets	17

DuraSystem® product information

Toilet frames	Standard Basic				Standard		
							
	115 cm #WD1010	99 cm #WD1009	84 cm #WD1007	For wet installation #WD1005	115 cm #WD1001	99 cm #WD1008	84 cm #WD1006
SensoWash® prepared	-	-	-	-	●	●	●
Mounting accessories for the individual installation included in the delivery	-	-	-	-	●	●	●
Odour extraction	-	-	-	-	-	-	-
Hygiene flush***	Optional	Optional	Optional	Optional	Optional	Optional	Optional
Actuator plates for toilets	A1 (mechanical)						
							
	Plastic, white #WD5001 011		Plastic, high-gloss chrome #WD5001 021		Glass, white #WD5002 012**		
Surface-mounted	●	●	●	●	●	●	●
Flush-mounted (only plastic)	●*	-	-	-	●*	-	-

* Only in combination with installation frame # WD6001 / ** Glass design surface cannot be combined with 99 cm and 84 cm reduced size frames / *** Only for actuation from the front

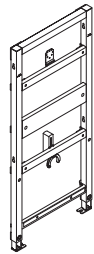
DuraSystem® product information

frames	Standard Plus	Premium	Premium Plus
	 <p>For manual odour extraction #WD1002</p>	 <p>For integrated hygiene flush #WD1003</p>	 <p>For odour extraction and hygiene flush #WD1004</p>
SensoWash® prepared	●	●	●
Odour extraction	●	-	●
Hygiene flush	-	●	●
Actuator plates for toilets	A1 (mechanical)		A2 (electronic)
	 <p>Plastic, white #WD5001 011</p> <p>Plastic, high-gloss chrome #WD5001 021</p> <p>Glass, white #WD5002 012</p>	 <p>Glass, white #WD5003 012</p>	
Surface-mounted	●	●	●
Flush-mounted (only plastic)	●*	-	-

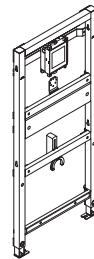
* Only in combination with installation frame # WD6001

DuraSystem® product information

Urinal frames

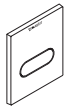
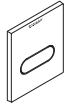
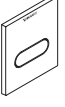

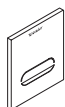
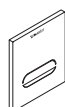
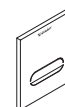


Standard
#WD3001

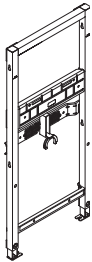


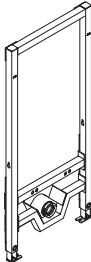


For concealed flushing valve
#WD3002

Actuator plates for urinals

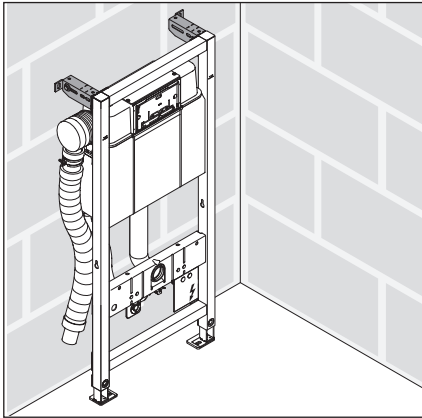
	A1 (mechanical)			A2 (electronic)			
				Battery operation		Mains operation	
							
	Plastic, white #WD5004 011	Plastic, high-gloss chrome #WD5004 021	Glass, white #WD5005 012	Die-cast zinc, white #WD5006 013	Die-cast zinc, high-gloss chrome #WD5006 023	Die-cast zinc, white #WD5007 013	Die-cast zinc, high-gloss chrome #WD5007 023
Surface-mounted	•	•	•	•	•	•	•
Hygiene flush	-	-	-	•	•	•	•

DuraSystem® product information

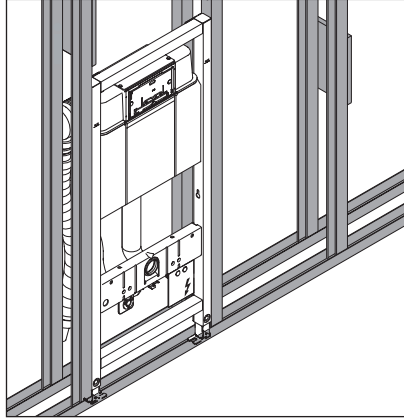
	 Standard #WD2001	Washbasin frames  Special #WD2002	 For wall-mounted faucet #WD2003	Bidet frame  #WD4001
For washbasins with siphon cover	•	•	•	
For washbasins with pedestal	-	•	•	
Washbasin compatibility	Standard mounting dimensions	Different mounting heights / widths	In combination with a wall-mounted faucet	
Continuously height-adjustable traverses	•	•	•	
Distance from water connection	80 mm – 150 mm	80 mm – 290 mm	50 mm – 330 mm	80 mm
Mounting distance from ceramic	Threaded rod 280 mm / 150 mm – 240 mm	Screw bolts 50 mm – 330 mm possible	Screw bolts 50 mm – 330 mm possible	Screw bolts 180 mm
Metal traverse Adjustable mounting dimensions	•	-	-	295 mm – 345 mm
Wooden traverse for the flexible positioning of the screw bolts	-	•	•	

General planning tips

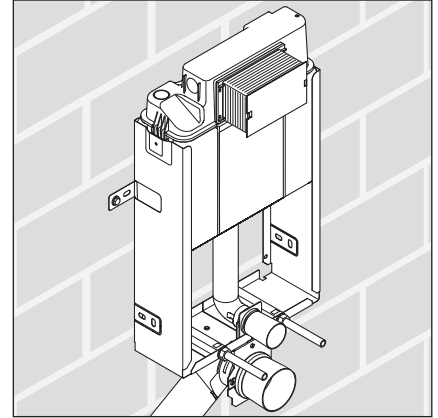
Types of installation



- Dry installation in front of a solid wall
- > Panelling with a minimum of 2 x 12.5 mm plasterboard panels.
 - > Depth-adjustable fixing wall bracket included in the delivery (except for Basic frames).



- Dry installation using a lightweight construction method or stud partition wall
- > Panelling with a minimum of 2 x 12.5 mm plasterboard panels.
 - > Self-tapping screws for integration using a lightweight construction method included in the delivery.

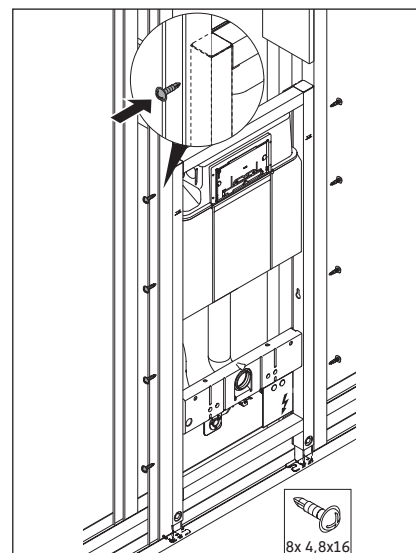
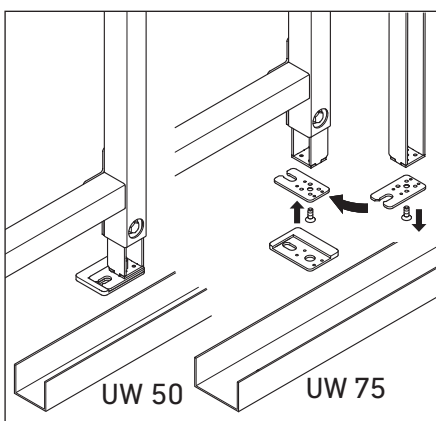


Wet installation (toilet frame)

Mounting instructions

Installation using a lightweight construction method

DuraSystem® installation elements have rotating feet and can be mounted on UW 50 and UW 75 Standard profiles.



The installation element and support system must be flush-mounted.

- > Pre-drill if necessary.

General planning tips

Flush-mounted installation of actuator plates

The DuraSystem® installation frame (#WD6001011/#WD6001021) is required as an accessory for the flush-mounted installation of toilet actuator plates (#WD5001011/#WD5001021).

- > The installation frame must be mounted in the building shell while installing the panelling.
- > Suitable for drywall panelling with a minimum thickness of 25 mm.
- > Depth-adjustable for wall coverings of 6 – 15 mm.
- > NOT suitable for elements with a reduced overall height.

Cleaning and maintenance

The concealed cistern is continuously subjected to mechanical, chemical and physical stress. Components must be cleaned on a regular basis; if necessary, the flush and fill valve seals must be replaced. Limescale deposits may form, particularly in regions with high water hardness, which may require the fill and flush valve to be replaced depending on the extent of deposits.

Ceramic

Toilet frame restrictions

The DuraSystem® installation elements can generally be combined with Duravit ceramics with a projection of ≤ 620 mm. Due to the increased noise generation, the toilet frames with odour extraction cannot be combined with the following Duravit ceramics.

- Architec #254609
- Starck 1 #021009
- Starck 3 #221509

Pay attention to technical dimensional drawings

The mounting dimensions of urinals, bidets and washbasins are not standardised or only partially standardised. The height adjustment of the DuraSystem® installation element may vary from the reference marker depending on the ceramic. This particularly applies to urinals where all the dimensions are variable.

- > Check the accuracy of the fit to the DuraSystem® installation element with the help of the technical dimensional drawings before installing the panelling.

Furniture

Due to the variety of furniture available, mounting options must be provided on site for a combination with furniture, e.g. vanity units.

Standards and regulations

Standards and regulations apply in relation to the installation of installation elements. Knowledge and consideration of the different standards in their current version is the responsibility of the trades. These versions are intended to provide an overview and do not claim to be complete.

NOTE

Product and/or property damage

A breach of local and country-specific regulations and standards can cause damage to the product and/or property damage.

- > Observe the local installation regulations and any country-specific standards at all times.

Installation regulations

- > Installation regulations for drinking water according to:
 - DIN EN 1717
- > Installation regulations for gravity drainage systems according to:
 - DIN EN 12056

Load-bearing capacity of the wall

- > Installation regulations for stud partitions according to:
 - DIN 4103
 - DIN 18180 – DIN 18183
 - DIN 18430 VOB Part C, Chapter 3.7.4. (for public areas)
- > Installation regulations for masonry walls according to:
 - DIN EN 1996-1-1
- > Installation regulations for concrete walls according to:
 - DIN 1045

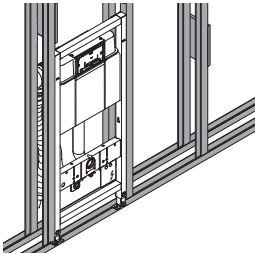
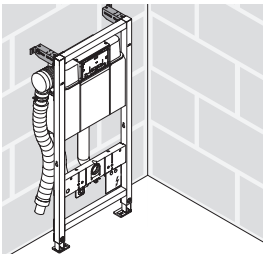
Room ventilation

The DuraSystem® odour extraction is a product solution to avoid unpleasant odours directly in the toilet. Due to the fan's low power output and its limited exhaust air volume flow (< 10 m³/h), the DuraSystem® toilet frames with odour extraction CANNOT be used as a replacement for the prescribed room ventilation.

- > Installation regulations for room ventilation according to:
 - DIN 18017

Noise protection

Fields marked with “Yes” refer to compliance with the highest noise protection requirements. Exceptions are marked accordingly.

Design	Tested front-wall elements	Passed the standard?			Noise reduction gasket needed?
		DIN 4109	VDI 4100 Sst III	SIA 181	
Dry installation using a light-weight construction method 	Bidet frame	Yes	Yes	Yes	Yes, # WD6008 000 000 + appropriate noise reduction gasket for the respective ceramic
	Urinal frame battery operation	Yes	Yes	Yes	
	Urinal frame mains operation	Yes	Yes	Yes	
	Washbasin frame	Yes	Yes	Yes ¹⁾	
	Toilet frame (mechanical)	Yes	Yes	Yes	
	Toilet frame (electronic)	Yes	Yes	Yes	
Dry installation in front of a solid wall 	Bidet frame	Yes	Yes	Yes	
	Urinal frame battery operation	Yes ²⁾	Yes ³⁾	Yes	
	Urinal frame mains operation	Yes	Yes	Yes	
	Washbasin frame	Yes	Yes	Yes ¹⁾	
	Toilet frame (mechanical)	Yes	Yes	Yes	
	Toilet frame (electronic)	Yes	Yes	Yes	

¹⁾ In apartment buildings, with a ceiling thickness of 23 cm, when the upper floor has its own functional unit at the back and the ground floor has rooms (at the front and back) with low noise sensitivity (e.g. “bathroom over bathroom”) room layout.

²⁾ Meets the minimum requirements

³⁾ Meets noise protection level SSt II



Electrical installation

Target readership and qualifications

The electrical installation should only be carried out by qualified electricians.

- > Observe the local installation regulations and any country-specific standards at all times.



DANGER

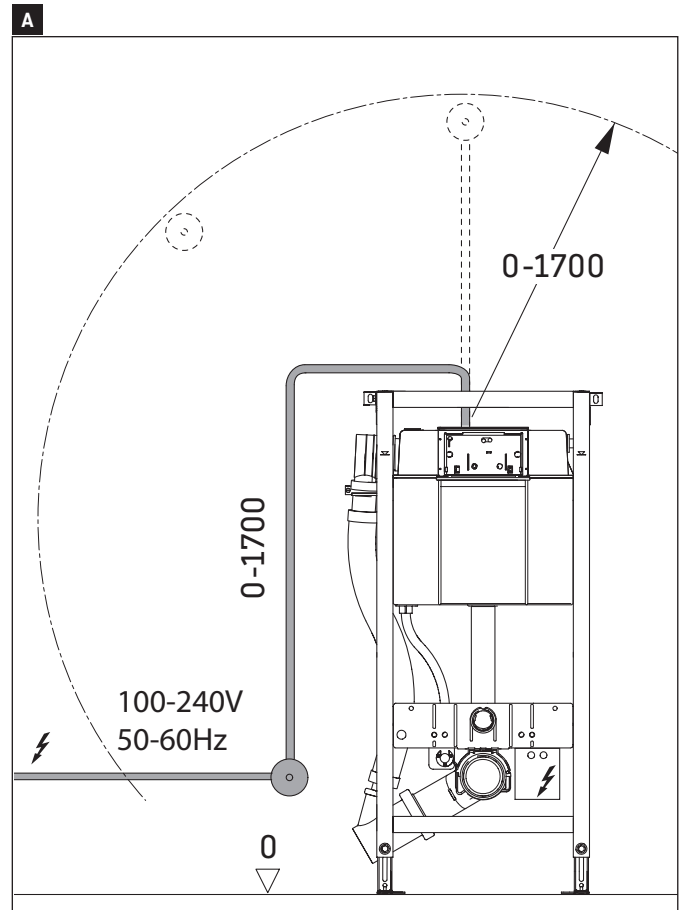
Risk of fatal electric shock

- > Disconnect electrical components from the power supply before the installation.
- > Check that all components are de-energised.
- > Prevent the power supply from being switched on accidentally.

Pre-installation/general planning

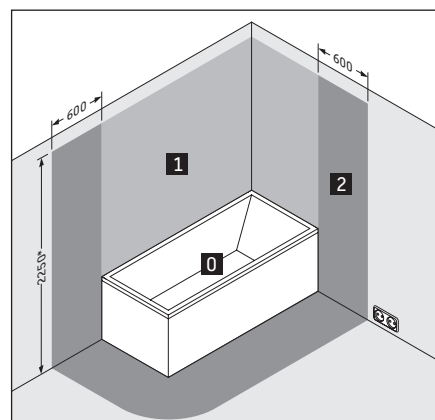
The installation kit incl. a power supply for the DuraSystem® installation elements (#WD1002/#WD1003/#WD1004) is included in the delivery. The installation kit must only be ordered as an accessory (#WD6004) if the optional hygiene flush for mains operation (#WD6002) is installed.

- > Plan a position for the concealed box:
 - within 1700 mm (diagram A)
 - outside the protection zones 0–2 (diagram B)
- > Install a permanent power supply line there:
 - Install a separate circuit breaker and residual-current circuit breaker (RCCB) upstream
 - Connect all pole disconnector mains switches upstream located outside the protection zones 0 – 2 (diagram B).



B

Protection zones in accordance with DIN VDE 0100-701



* Or the height of the highest fixed-location shower head/water outlet, whichever is higher.

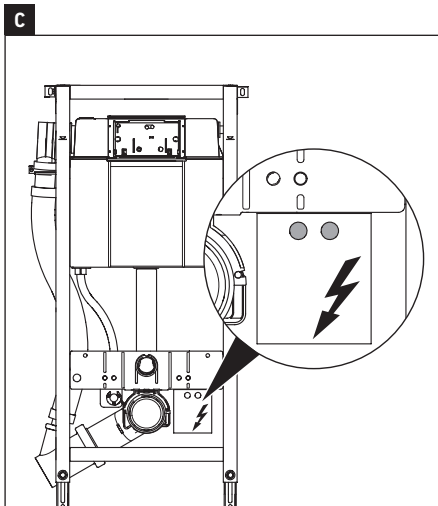


Electrical installation

Pre-installation - SensoWash® shower toilet

Duravit generally recommends installing a separate power supply line for toilet frames (except for wet installations) to enable a subsequent conversion to the SensoWash®.

- > Install the power supply line according to the technical instructions for the SensoWash®.
- > Connect the power supply only when the shower toilet is installed.
- > Provide a power supply line with a minimum length of 800 mm behind the wall for the subsequent installation of the SensoWash® shower toilet (diagram C).



Pre-installation - SensoWash® Starck f shower toilet

The Starck f models can be combined with the A2 electronic actuator plate (#WD5003 012 000). The flush function and odour extraction of the A2 electronic actuator plate can therefore also be controlled via the Starck f remote control/app.

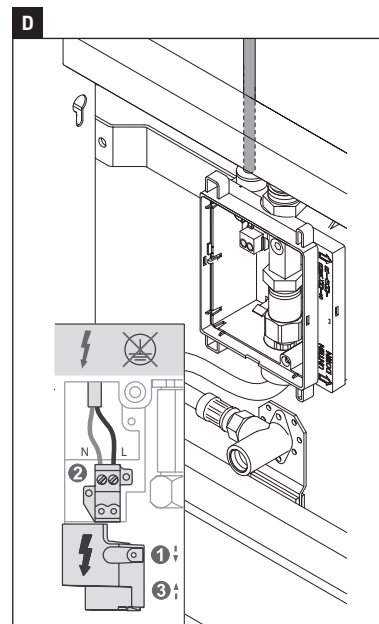
- > Install the interface set (#100729).

Pre-installation - electronic urinals / actuator plates

For the installation of electronically controlled urinals, a permanent power supply line must be installed to supply power to the frame in accordance with the technical data for electronically controlled urinals.

For the installation of electronic actuator plates for urinals (#WD5007), a permanent power supply line must be installed to supply power directly to the frame (#WD3002) (diagram D).

- > Install a permanent power supply line there:
 - Install a separate circuit breaker and residual-current circuit breaker (RCCB) upstream
 - Connect all pole disconnector mains switches upstream located outside the protection zones 0 – 2 (diagram B).





Electrical installation

Electrical data

	Electrical connection data
DuraSystem® toilet frames	
Toilet frame, manual odour extraction (#WD1002)	Primary: 100 – 240 V, 50 – 60 Hz Secondary: 24 DC/max. 10 W
Toilet frame, integrated hygiene flush (#WD1003)	
Toilet frame, odour extraction, hygiene flush (#WD1004)	
DuraSystem® urinal frame	
Urinal frame, for concealed flushing valve (#WD3002)	Primary: 100 – 240 V, 50 – 60 Hz Secondary: 24 DC/max. 8.5 W
DuraSystem® actuator plates	
A2 actuator plate, for toilets (#WD5003 012)	24 VDC
A2 actuator plate, for urinals, battery operation (#WD5006 013/#WD5005 023)	6 V
A2 actuator plate, for urinals, mains operation (#WD5007 013/#WD5007 023)	24 VDC
DuraSystem® accessories	
Hygiene flush, mains operation (#WD6002)	Primary: 100 – 240 V, 50 – 60 Hz Secondary: 6 VDC/max. 4 W
Hygiene flush, battery operation (#WD6003)	6 V/max. 4 W



Water and waste water

Target readership and qualifications

All work associated with the water connection may only be undertaken by a qualified plumber.

- > Observe the local installation regulations and any country-specific standards at all times.

Water connection - SensoWash®



DANGER

Health risk and potential

product damage

- > Supply the shower toilet with cold drinking water from the main water system.
- > Do not connect any waste water, grey water, industrial water, sea water or other untreated or semi-treated water.

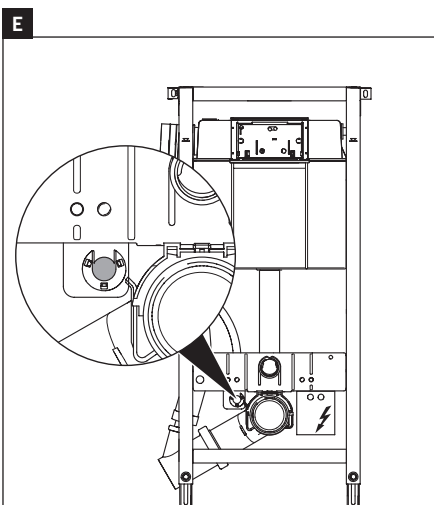
The water connection to the SensoWash® shower toilet can be made via ductwork in the cistern or via a permanent connection.

Waste water connection - urinals

A reduction (H-nipple) to a DIAMETER OF 32 mm is required for urinals with a bottle trap:

- D-Code #082830, #082930
- Starck 3 #082625, #082725

Connection type	Accessories
Permanent connection	Pre-installation set #0050720000 (internal thread ½")
Connection via ductwork (diagram E)	Connecting kit (115 cm frame height) #1006910000 Connecting kit (reduced frame height) #1007300000
Connection via ductwork, Starck f.	Connecting kit #100731 0000

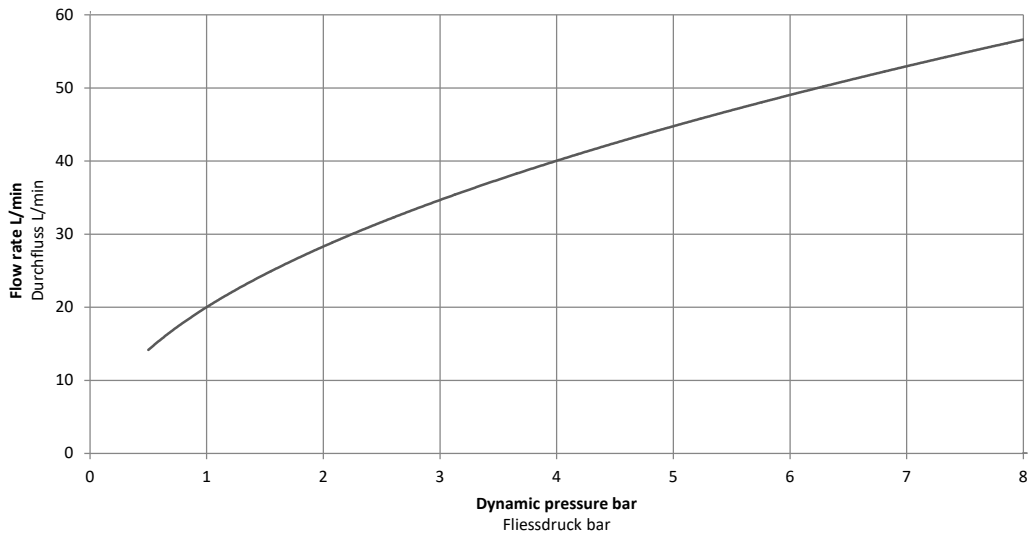




Flow diagrams for urinals

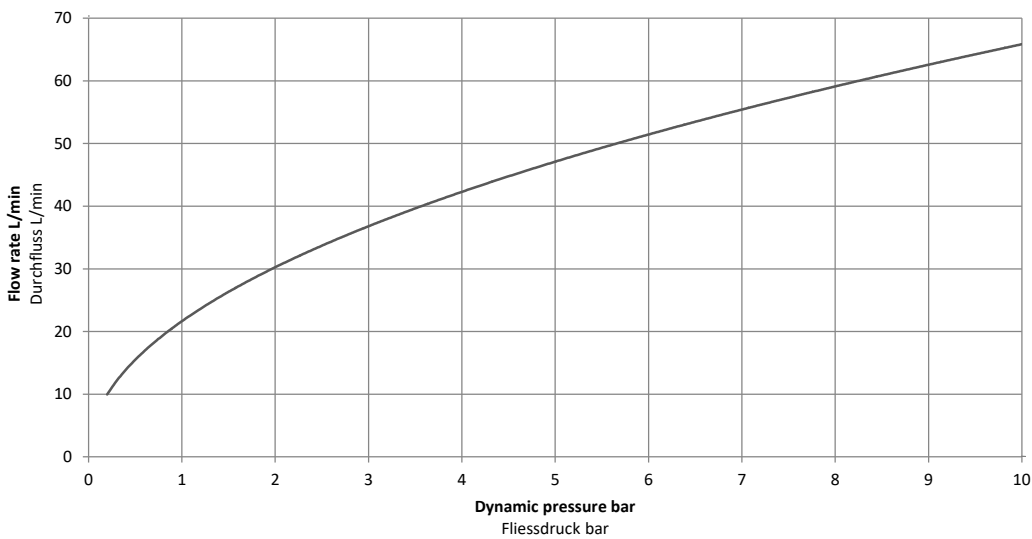
A2 actuator plate, for urinals, battery operation (#WD5006 013/#WD5006 023)

Pressure loss curve without downstream resistor
Druckverlustkurve ohne nachgeschalteten Widerstand



A2 actuator plate, for urinals, mains operation (#WD5007 013/#WD5007 023)

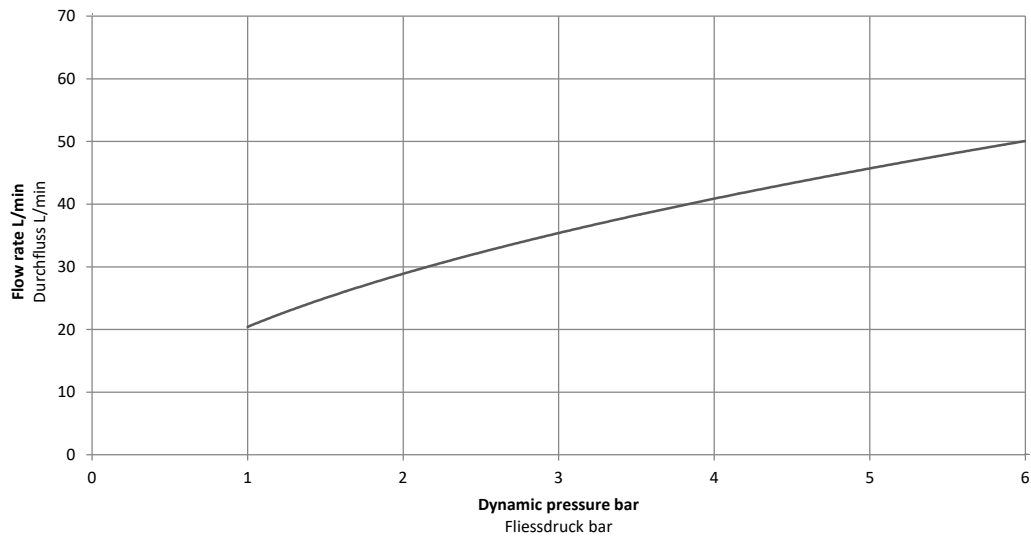
Pressure loss curve without downstream resistor
Druckverlustkurve ohne nachgeschalteten Widerstand





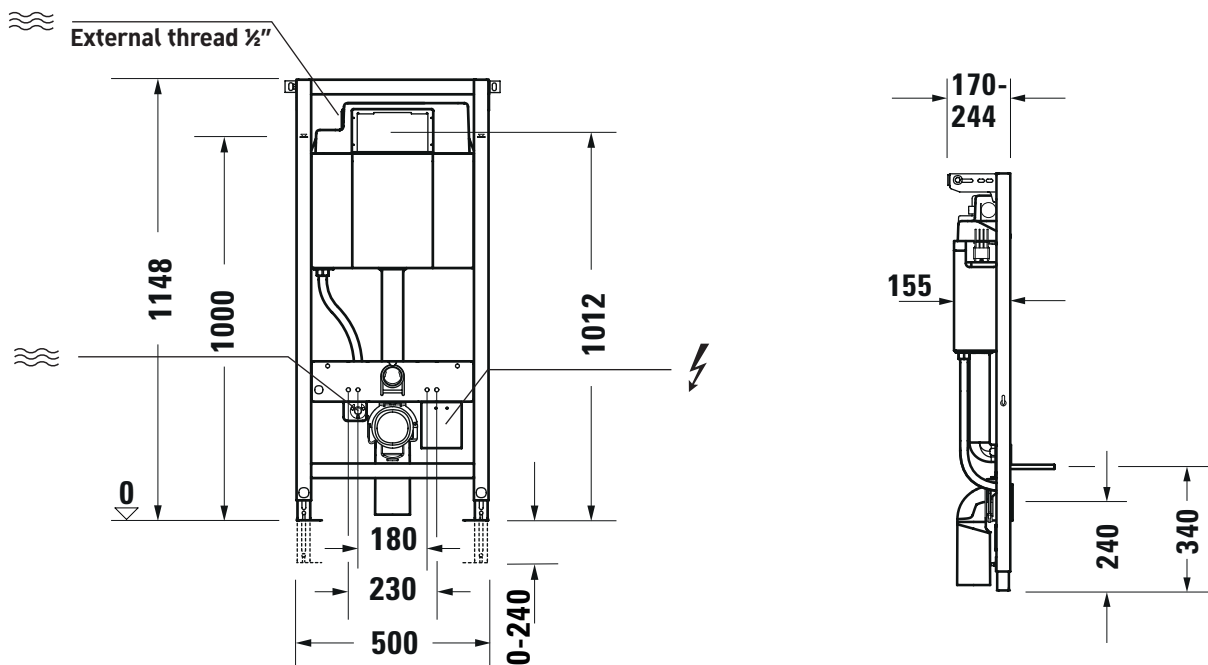
A1 actuator plate, for urinals (#WD5004 011/#WD5004 021/#WD5005 012)

Pressure loss curve without downstream resistor
 Druckverlustkurve ohne nachgeschalteten Widerstand



DuraSystem® data sheets

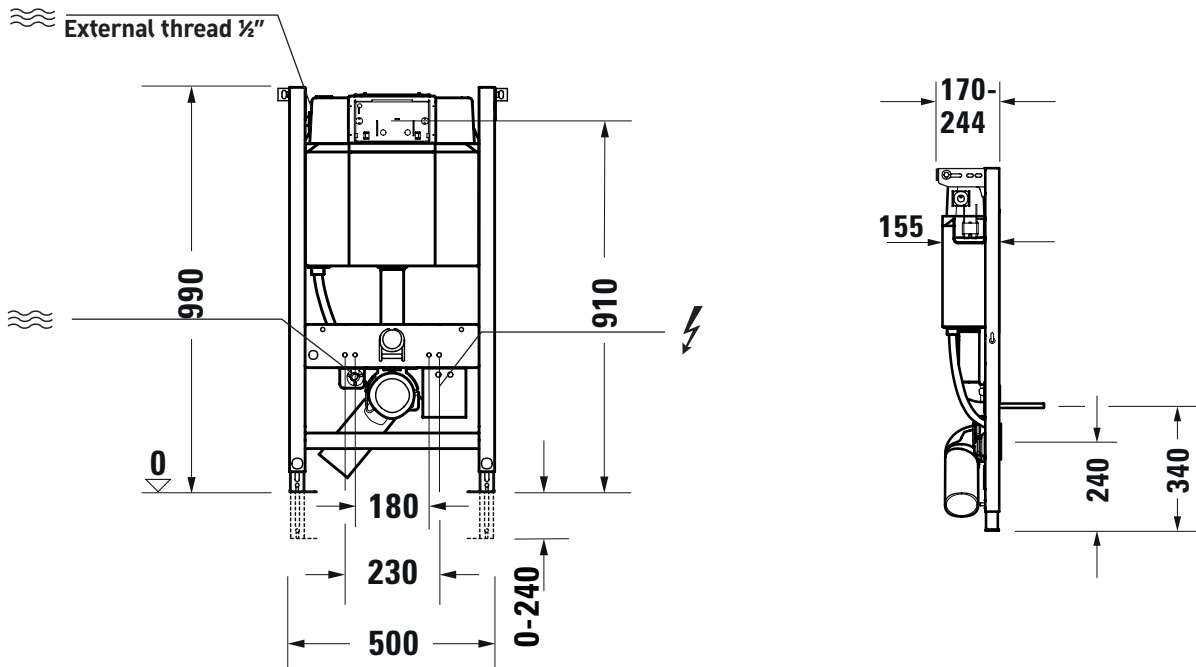
DuraSystem® toilet frame, Standard 115 cm



Technical data

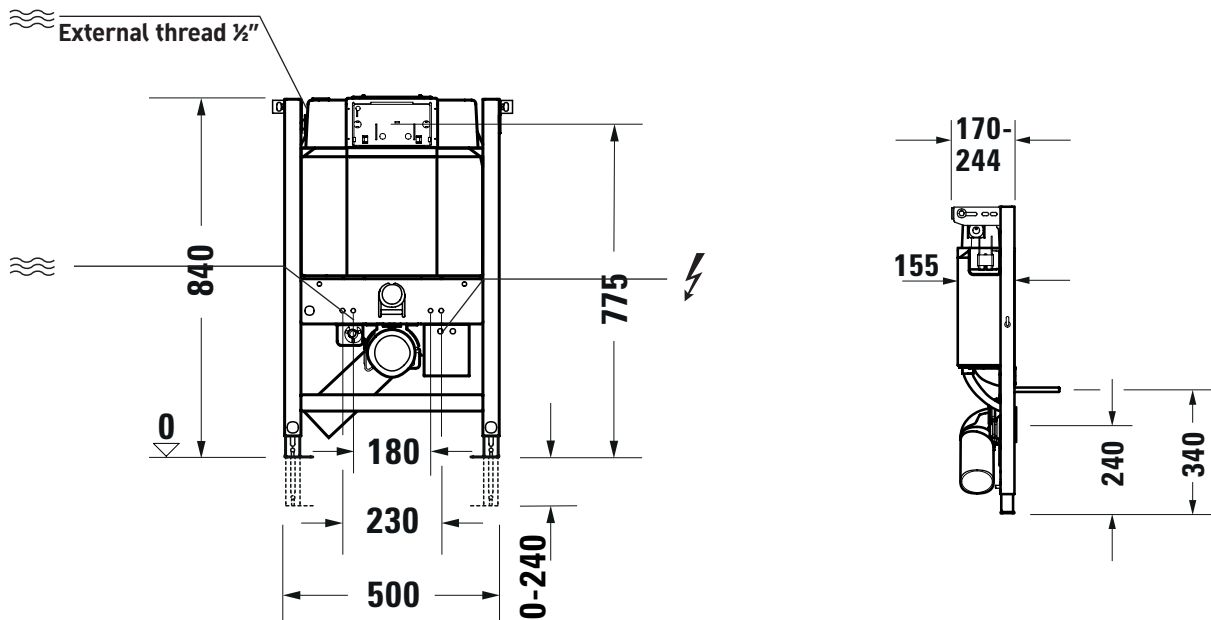
Article description	Net weight kg	Shipping weight kg	Shipping dimensions cm h x d x w	Order no.
Standard toilet frame, 115 cm	14.2	15.8	117 x 16.5 x 54	WD1001 000 000
Standard toilet frame, 115 cm, UK	14.2	15.8	117 x 16.5 x 54	WD1001 000 080

DuraSystem® toilet frame, Standard 99 cm



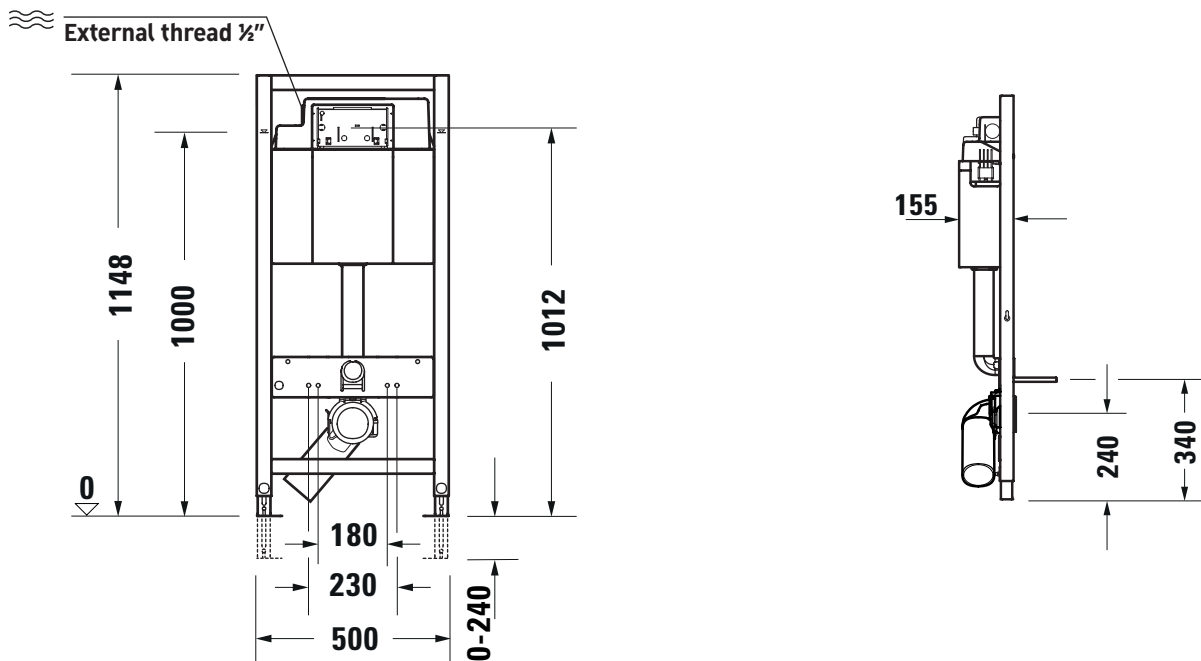
Technical data				
Article description	Net weight kg	Shipping weight kg	Shipping dimensions cm h x d x w	Order no.
Standard toilet frame, 99 cm	13.4	15	117 x 16.5 x 54	WD1008 000 000
Standard toilet frame, 99 cm, UK	13.4	15	117 x 16.5 x 54	WD1008 000 080

DuraSystem® toilet frame, Standard 84 cm



Technical data				
Article description	Net weight kg	Shipping weight kg	Shipping dimensions cm h x d x w	Order no.
Standard toilet frame, 84 cm	12.4	14	117 x 16.5 x 54	WD 1006 000 000
Standard toilet frame, 84 cm, UK	12.4	14	117 x 16.5 x 54	WD 1006 000 080

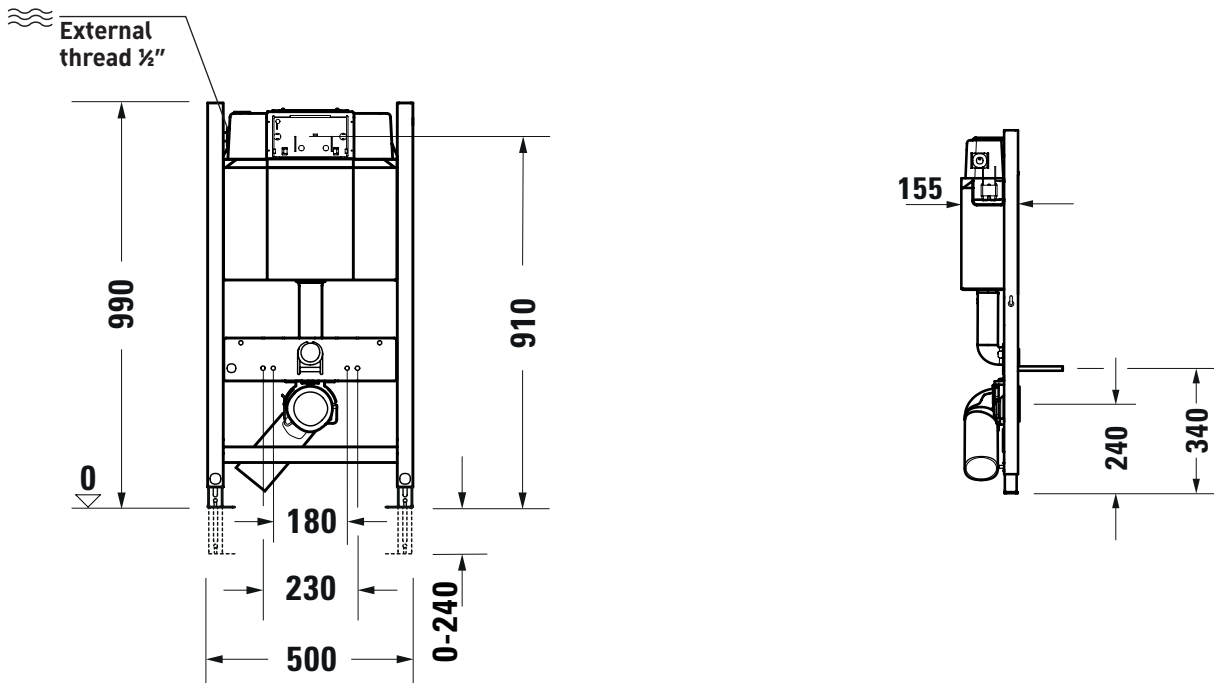
DuraSystem® toilet frame, Basic 115 cm



Technical data

Article description	Net weight kg	Shipping weight kg	Shipping dimensions cm h x d x w	Order no.
Basic toilet frame, 115 cm	13.9	15.5	117 x 16.5 x 54	WD1010 000 000
Basic toilet frame, 115 cm, UK	13.9	15.5	117 x 16.5 x 54	WD1010 000 080

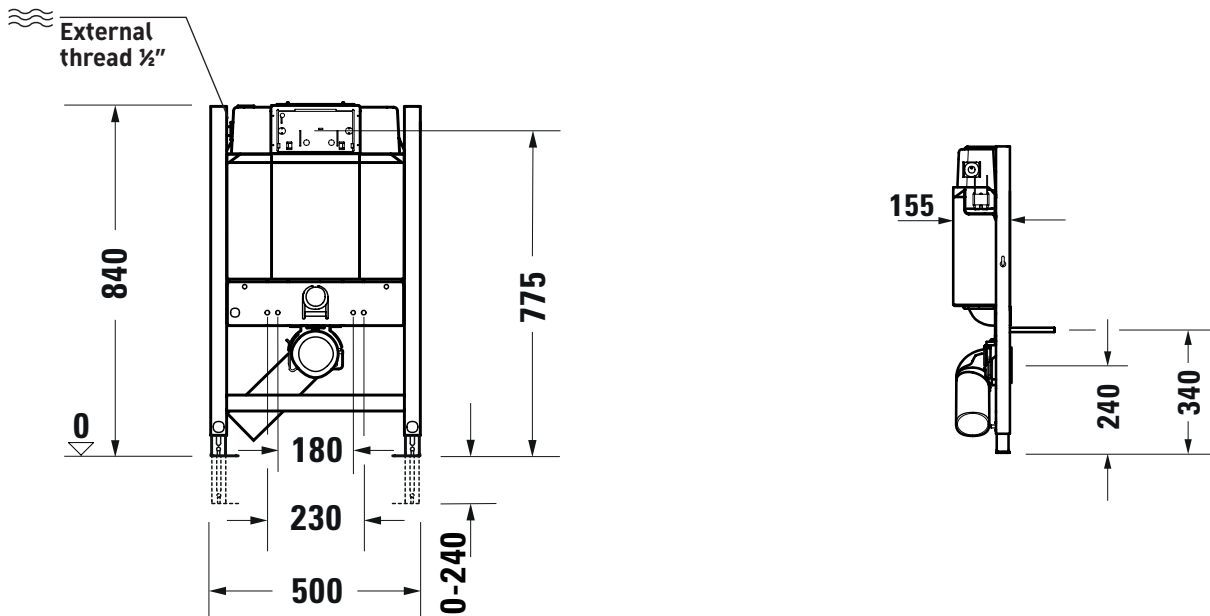
DuraSystem® toilet frame, Basic 99 cm



Technical data

Article description	Net weight kg	Shipping weight kg	Shipping dimen- sions cm h x d x w	Order no.
Basic toilet frame, 99 cm	12.9	14.5	117 x 16.5 x 54	WD1009 000 000
Basic toilet frame, 99 cm, UK	12.9	14.5	117 x 16.5 x 54	WD1009 000 080

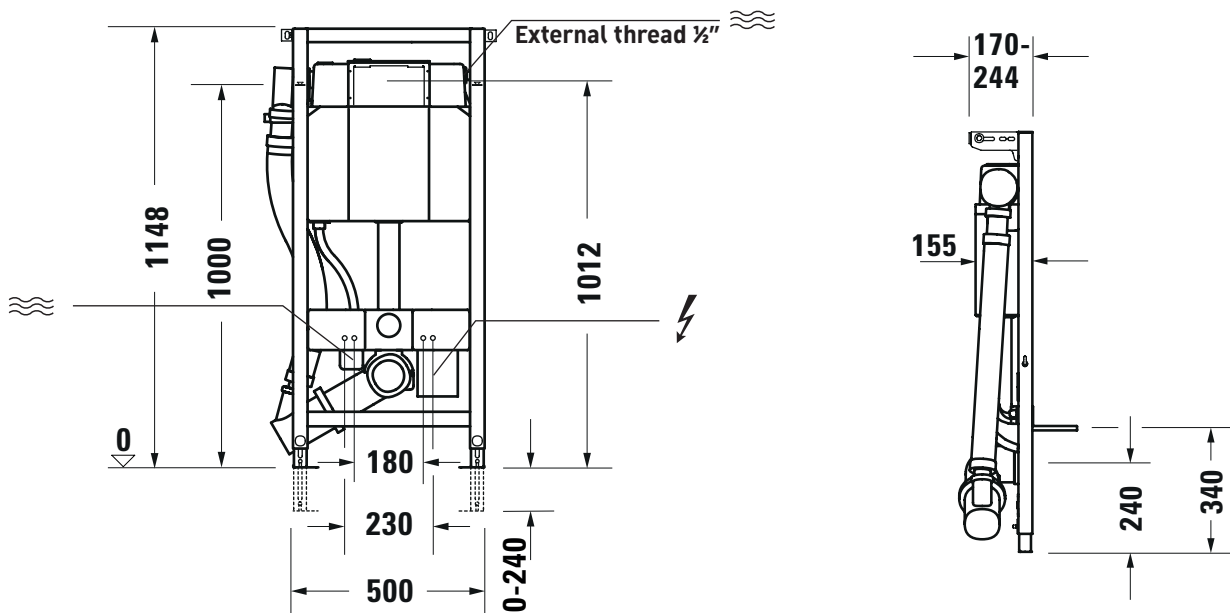
DuraSystem® toilet frame, Basic 84 cm



Technical data

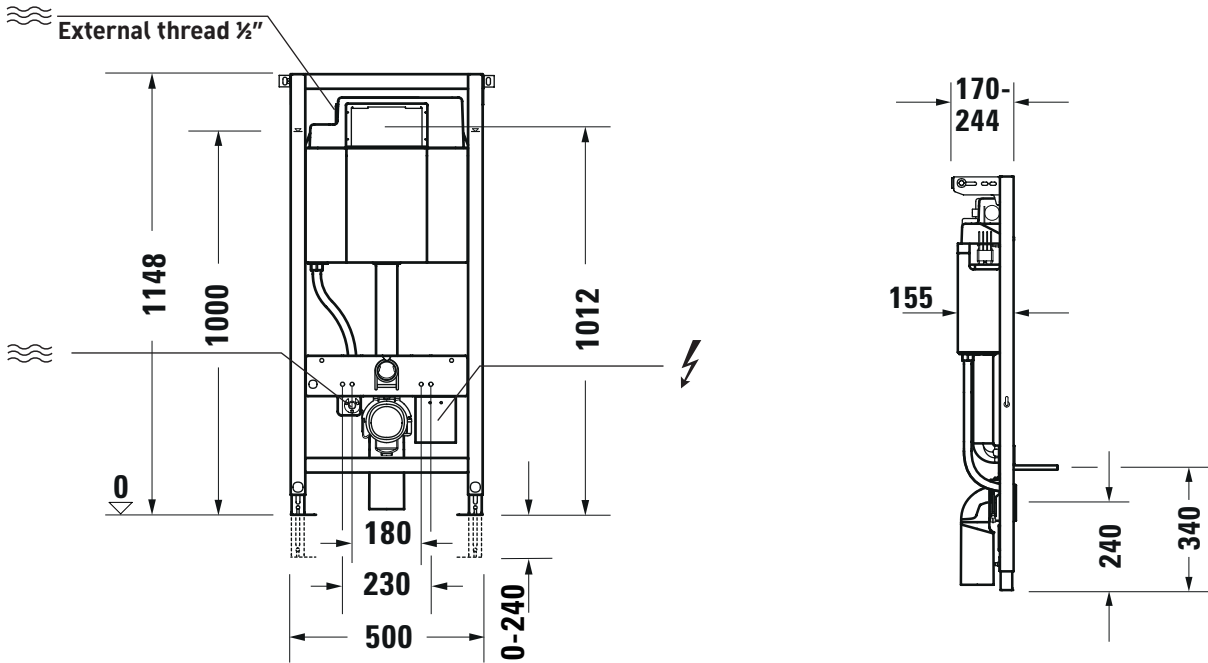
Article description	Net weight kg	Shipping weight kg	Shipping dimensions cm h x d x w	Order no.
Basic toilet frame, 84 cm	11.9	13.5	117 x 16.5 x 54	WD1007 000 000
Basic toilet frame, 84 cm, UK	11.9	13.5	117 x 16.5 x 54	WD1007 000 080

DuraSystem® toilet frame, manual odour extraction



Technical data				
Article description	Net weight kg	Shipping weight kg	Shipping dimensions cm h x d x w	Order no.
Toilet frame with manual odour extraction	15.9	17.5	117 x 16.5 x 54	WD1002 000 000
Toilet frame with manual odour extraction, UK	15.9	17.5	117 x 16.5 x 54	WD1002 000 080

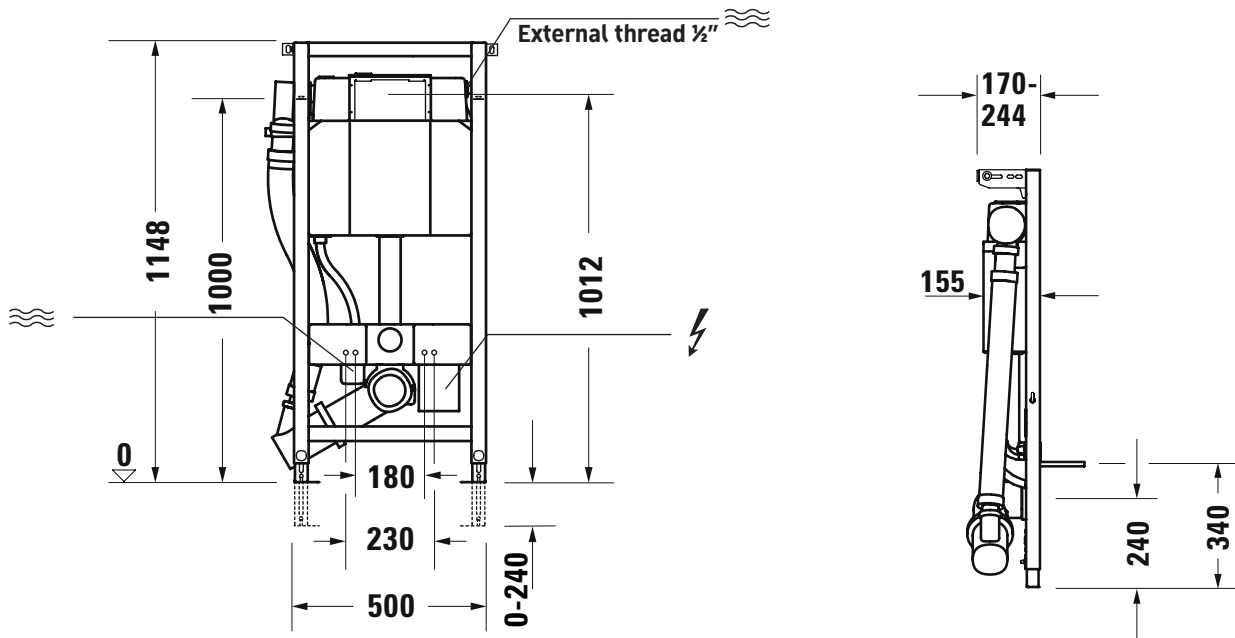
DuraSystem® toilet frame, integrated hygiene flush



Technical data

Article description	Net weight kg	Shipping weight kg	Shipping dimensions cm h x d x w	Order no.
Toilet frame with integrated hygienic flush	14.7	16.3	117 x 16.5 x 54	WD1003 000 000
Toilet frame with integrated hygienic flush, UK	14.7	16.3	117 x 16.5 x 54	WD1003 000 080

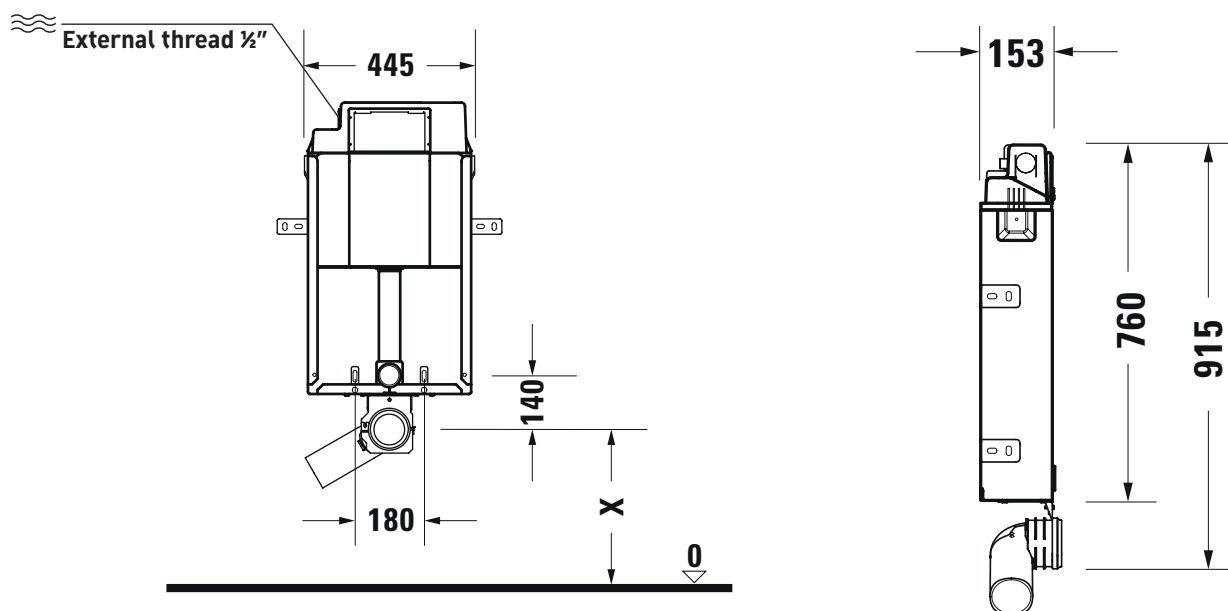
DuraSystem® toilet frame, odour extraction, hygiene flush



Technical data

Article description	Net weight kg	Shipping weight kg	Shipping dimensions cm h x d x w	Order no.
Toilet frame, odour extraction, hygiene flush	16.0	17.6	117 x 16.5 x 54	WD1004 000 000
Toilet frame, odour extraction, hygiene flush, UK	16.0	17.6	117 x 16.5 x 54	WD1004 000 080

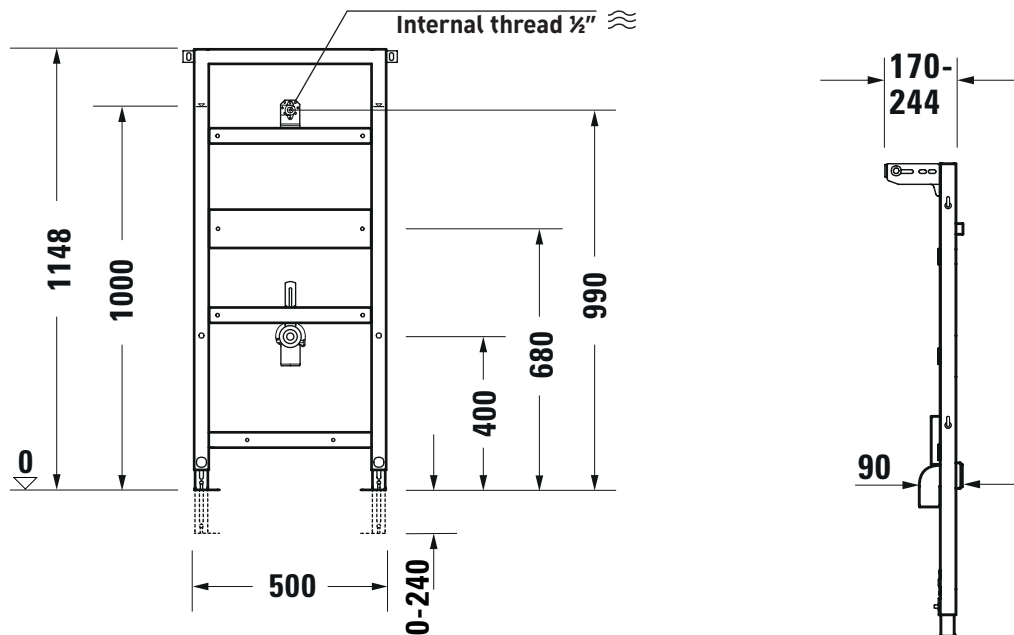
DuraSystem® toilet frame, for wet installation



Technical data

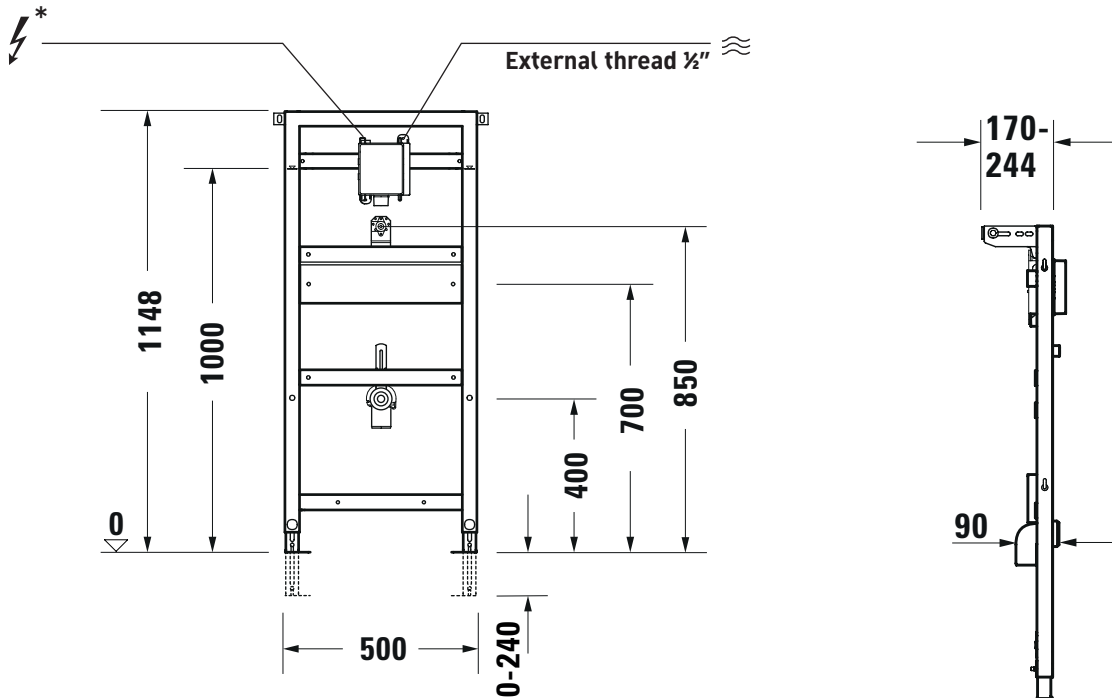
Article description	Net weight kg	Shipping weight kg	Shipping dimensions cm h x d x w	Order no.
Toilet frame for wet installation	6.7	8	88 x 63 x 19.8	WD1005 000 000
Toilet frame for wet installation, UK	6.7	8	88 x 63 x 19.8	WD1005 000 080

DuraSystem® urinal frame, Standard



Technical data				
Article description	Net weight kg	Shipping weight kg	Shipping dimensions cm h x d x w	Order no.
Urinal frame, Standard	11.0	10.0	117 x 52.5 x 7.8	WD3001 000 000

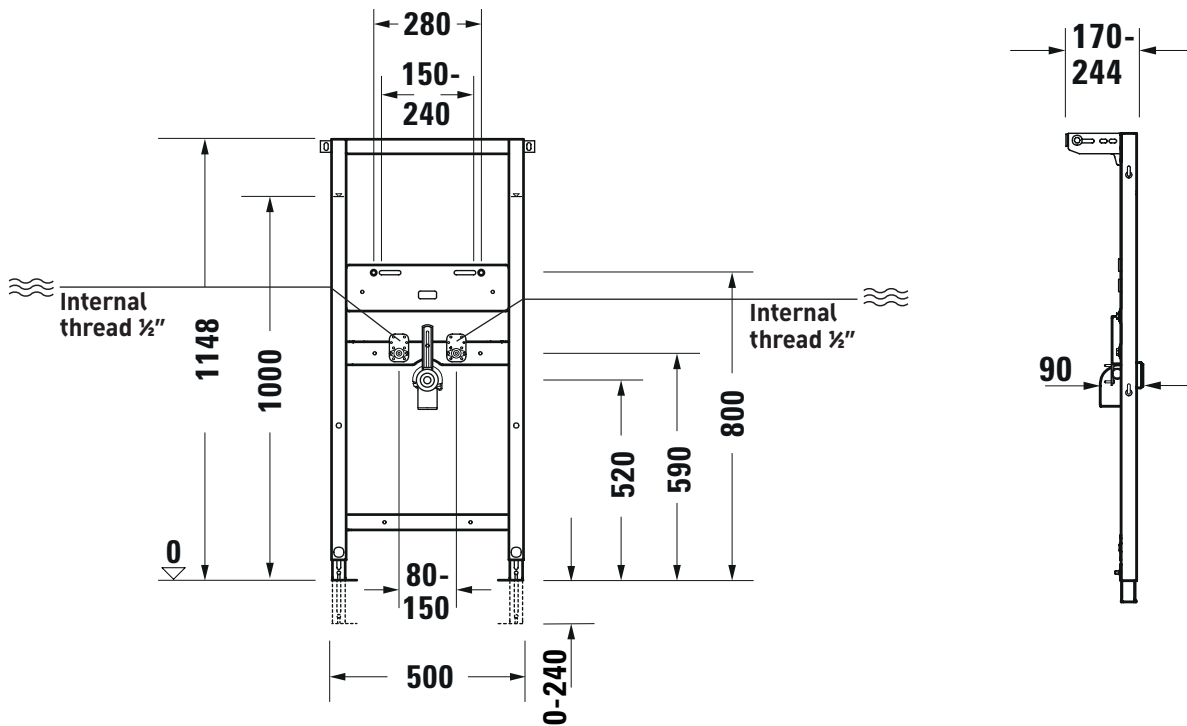
DuraSystem® urinal frame, for concealed flushing valve



*Only in combination with the A2 actuator plate, for urinals, mains operation (#WD5007 013/#WD5007 023)

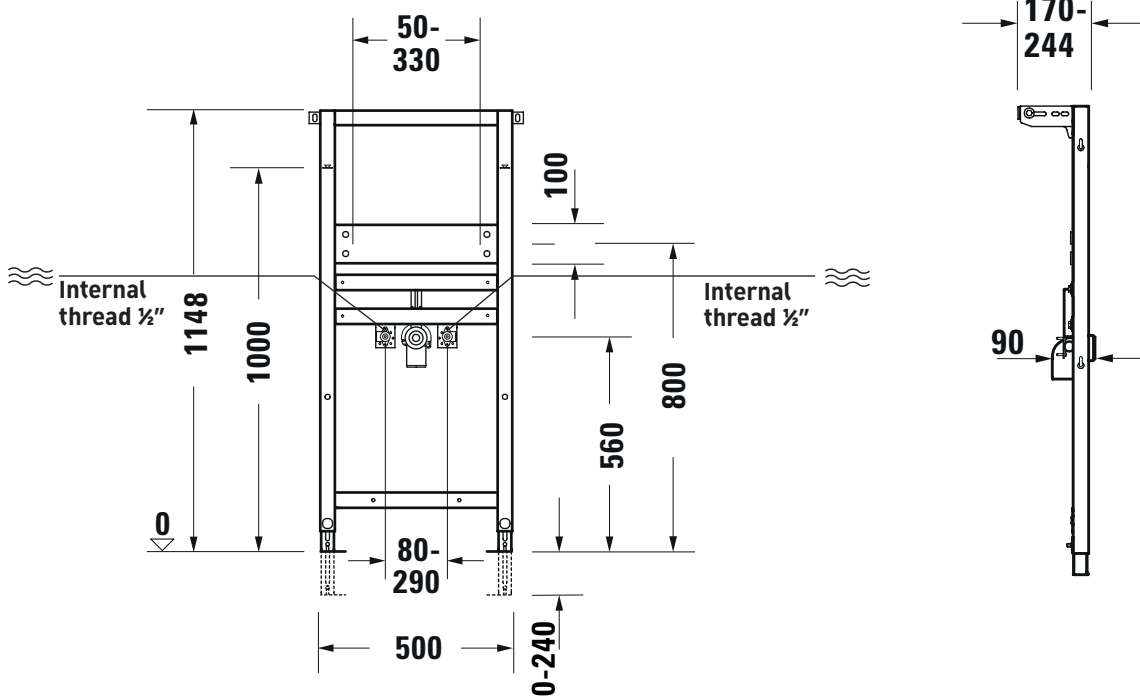
Technical data				
Article description	Net weight kg	Shipping weight kg	Shipping dimensions cm h x d x w	Order no.
Urinal frame, for concealed flushing valve	11.1	12.1	117 x 52.5 x 7.8	WD3002 000 000

DuraSystem® washbasin frame, standard



Technical data				
Article description	Net weight kg	Shipping weight kg	Shipping dimensions cm h x d x w	Order no.
Washbasin frame, Standard	9.7	10.7	117 x 52.5 x 7.8	WD2001 000 000

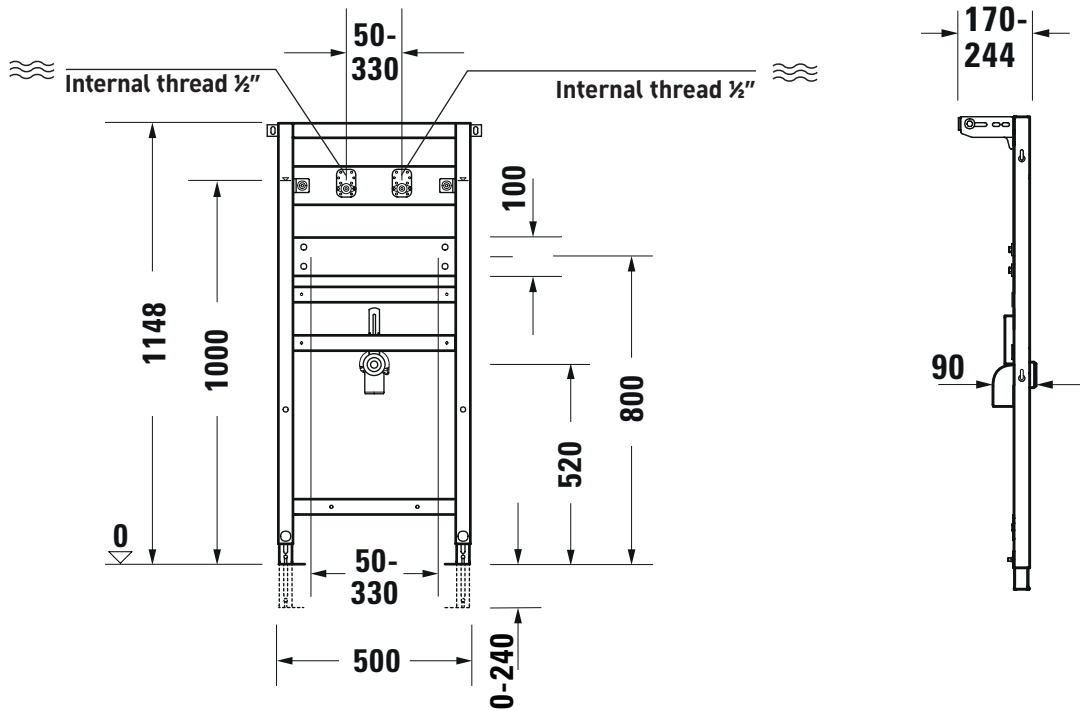
DuraSystem® washbasin frame, special



Technical data

Article description	Net weight kg	Shipping weight kg	Shipping dimensions cm h x d x w	Order no.
Washbasin frame, Special	11.3	12.3	117 x 52.5 x 7.8	WD2002 000 000

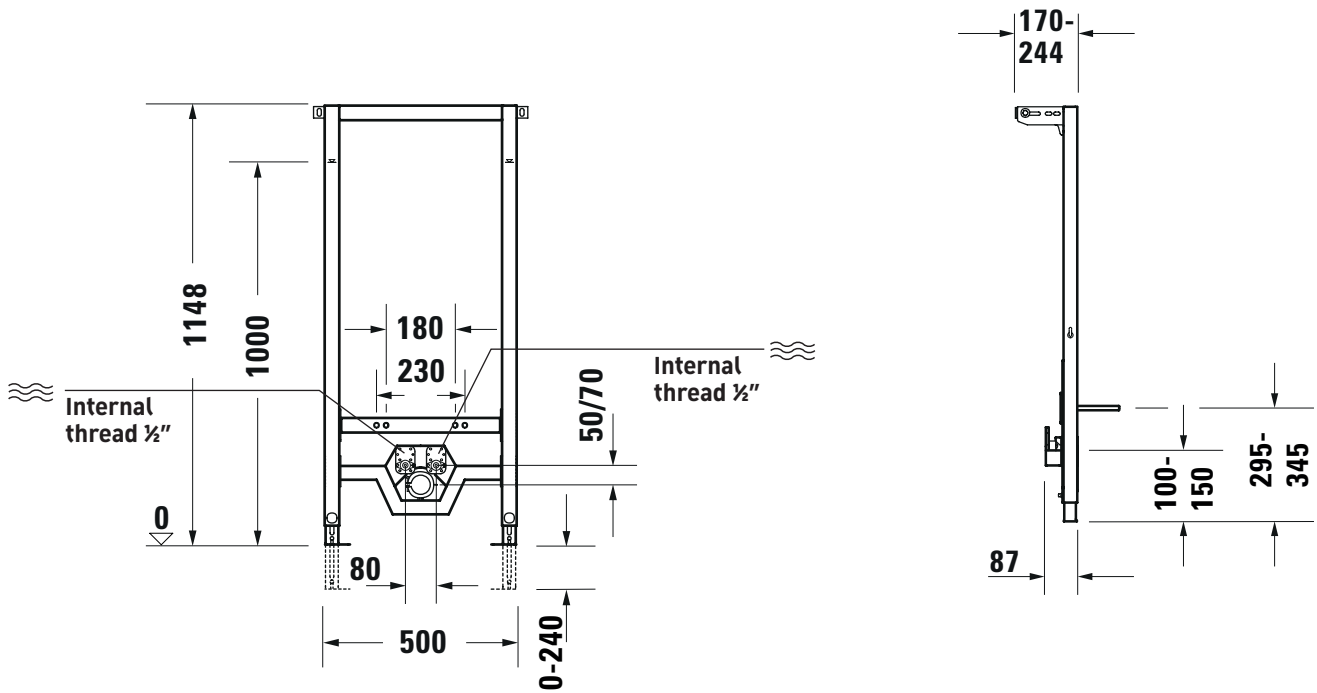
DuraSystem® washbasin frame, for wall-mounted faucet



Technical data

Article description	Net weight kg	Shipping weight kg	Shipping dimen- sions cm h x d x w	Order no.
Washbasin frame for wall-mounted faucet	12.0	13.0	117 x 52.5 x 7.8	WD2003 000 000

DuraSystem® bidet frame

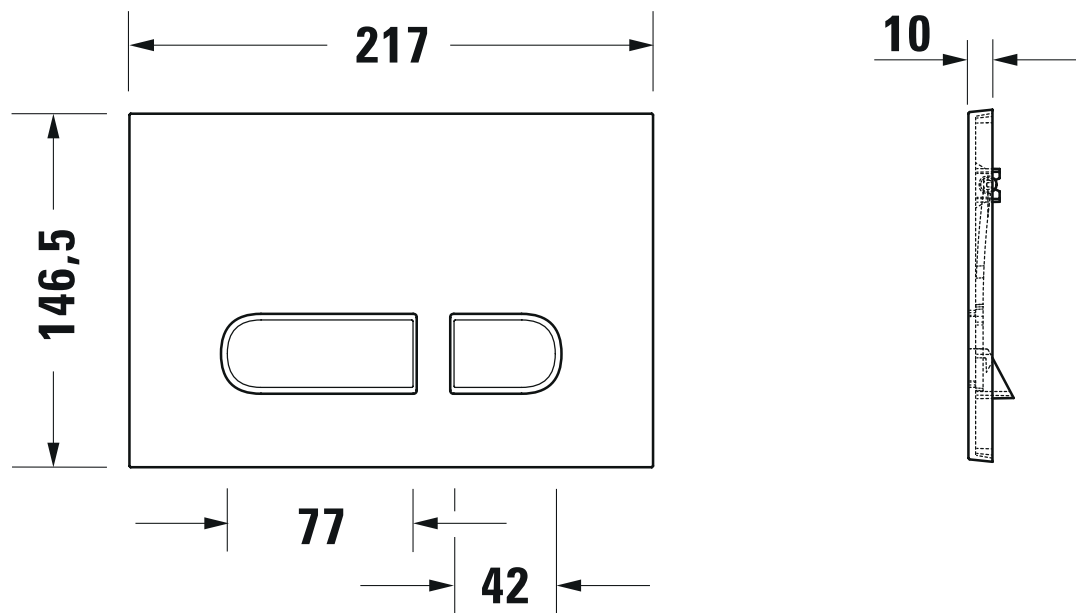


Technical data

Article description	Net weight kg	Shipping weight kg	Shipping dimensions cm h x d x w	Order no.
Bidet frame	12.5	14.1	117 x 16.5 x 54	WD4001 000 000

DuraSystem® A1 actuator plate, for toilets, plastic

Design by Duravit

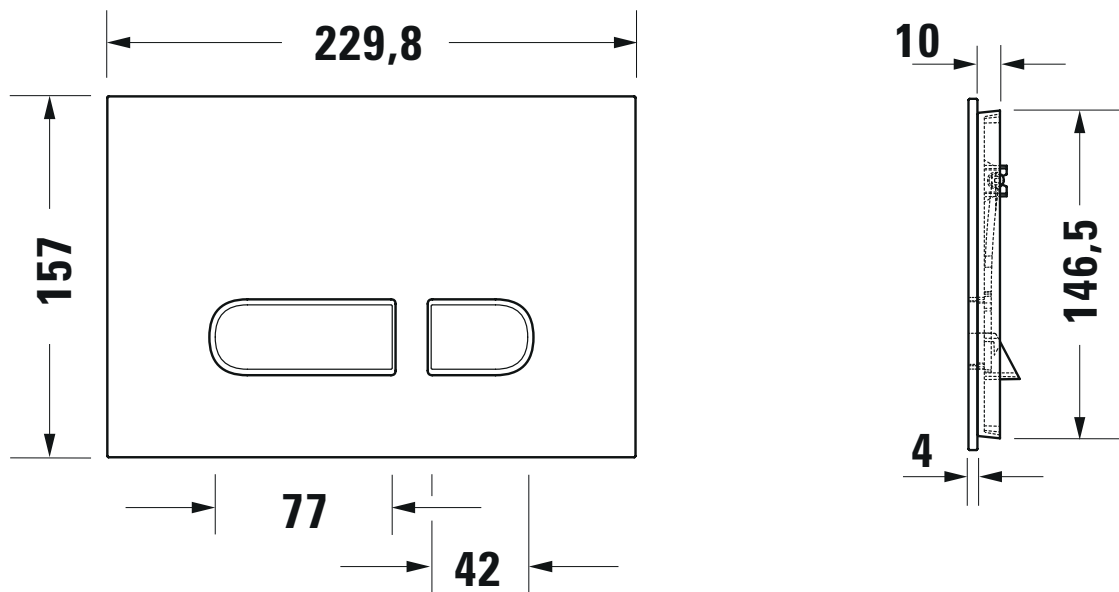


Technical data

Article description	Net weight kg	Shipping weight kg	Shipping dimensions cm h x d x w	Order no.
Plastic front plate, white	0.4	0.6	31 x 23 x 5.8	WD5001 011 000
Plastic front plate, high-gloss chrome	0.4	0.6	31 x 23 x 5.8	WD5001 021 000

DuraSystem® A1 actuator plate, for toilets, white glass

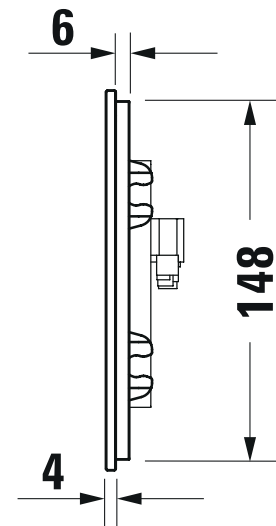
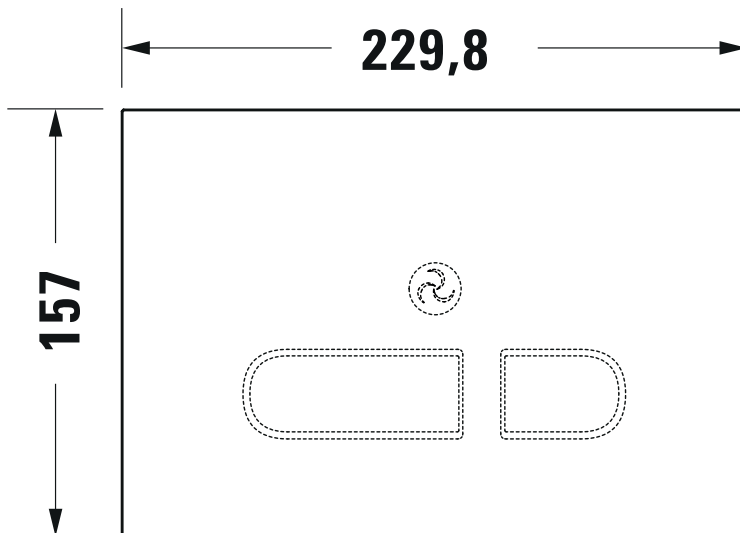
Design by Duravit



Technical data				
Article description	Net weight kg	Shipping weight kg	Shipping dimensions cm h x d x w	Order no.
Glass front plate	0.8	1.0	31 x 23 x 5.8	WD5002 012 000

DuraSystem® A2 actuator plate, for toilets, white glass

Design by Duravit

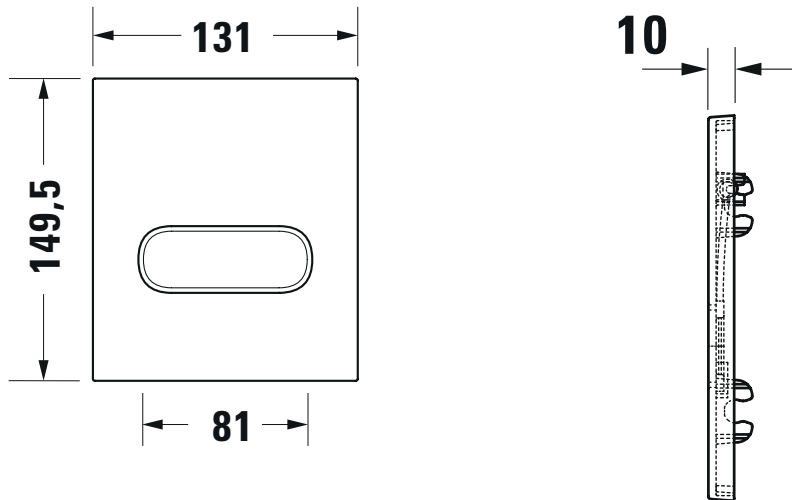


Technical data

Article description	Net weight kg	Shipping weight kg	Shipping dimensions cm h x d x w	Order no.
Glass front plate	2.0	2.4	34 x 24 x 9.5	WD5003 012 000

DuraSystem® A1 actuator plate, for urinals, plastic

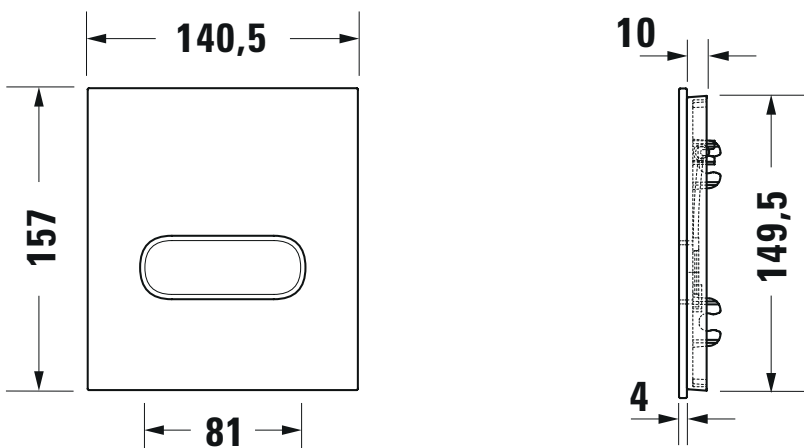
Design by Duravit



Technical data				
Article description	Net weight kg	Shipping weight kg	Shipping dimensions cm h x d x w	Order no.
Plastic front plate, white	0.7	0.9	31 x 23 x 5.8	WD5004 011 000
Plastic front plate, high-gloss chrome	0.7	0.9	31 x 23 x 5.8	WD5004 021 000

DuraSystem® A1 actuator plate, for urinals, white glass

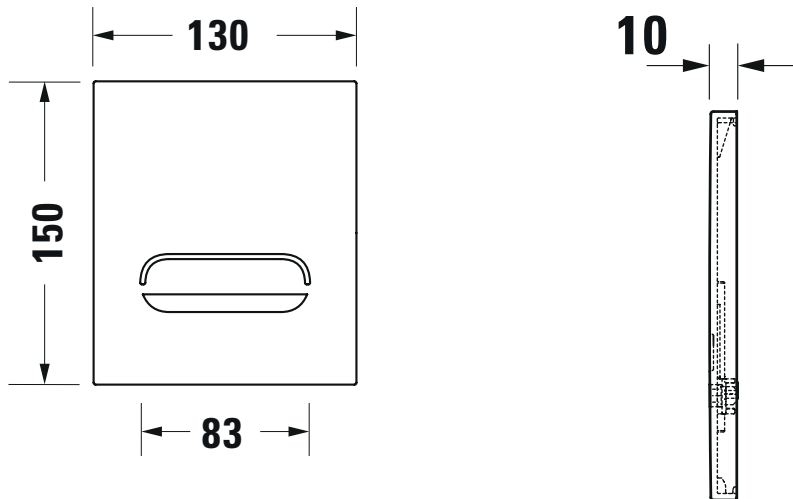
Design by Duravit



Technical data				
Article description	Net weight kg	Shipping weight kg	Shipping dimensions cm h x d x w	Order no.
Glass front plate	0.9	1.1	31 x 23 x 5.8	WD5005 012 000

DuraSystem® A2 actuator plate, battery operation, for urinals, die-cast zinc

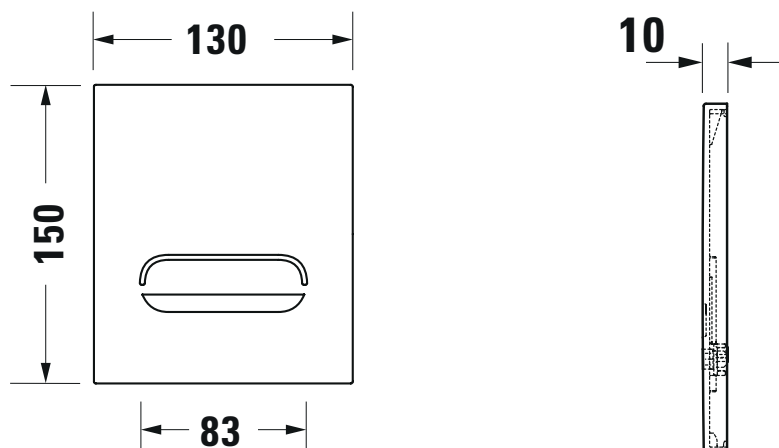
Design by Duravit



Technical data				
Article description	Net weight kg	Shipping weight kg	Shipping dimensions cm h x d x w	Order no.
Die-cast zinc front plate, white	1.8	2.0	24 x 16.5 x 14	WD5006 013 000
Die-cast zinc front plate, high-gloss chrome	1.8	2.0	24 x 16.5 x 14	WD5006 023 000

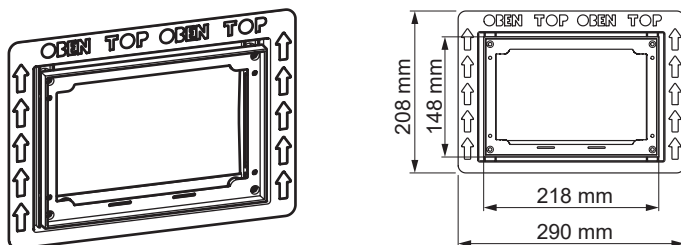
DuraSystem® A2 actuator plate, mains operation, for urinals, die-cast zinc

Design by Duravit



Technical data				
Article description	Net weight kg	Shipping weight kg	Shipping dimensions cm h x d x w	Order no.
Die-cast zinc front plate, white	1.8	2.0	24 x 16.5 x 14	WD5007 013 000
Die-cast zinc front plate, high-gloss chrome	1.8	2.0	24 x 16.5 x 14	WD5007 023 000

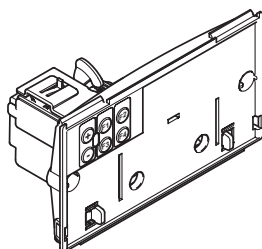
DuraSystem® accessory, flush-mounted installation frame, for plastic



Technical data

Article description	Net weight kg	Shipping weight kg	Shipping dimensions cm h x d x w	Order no.
Plastic, white	0.4	0.6	31 x 23 x 5.8	WD6001 011 000
Plastic, high-gloss chrome	0.4	0.6	31 x 23 x 5.8	WD6001 021 000

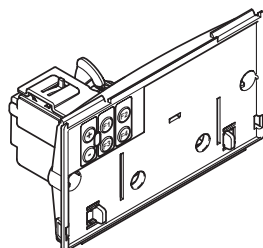
DuraSystem® accessory, hygiene flush, mains operation



Technical data

Article description	Net weight kg	Shipping weight kg	Shipping dimensions cm h x d x w	Order no.
Mains operation with a concealed external power supply	0.9	1.1	24 x 16.5 x 14	WD6002 000 000

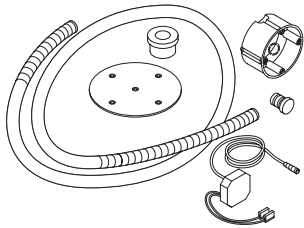
DuraSystem® hygiene flush, battery operation



Technical data

Article description	Net weight kg	Shipping weight kg	Shipping dimensions cm h x d x w	Order no.
Battery operation via a battery module	0.9	1.1	24 x 16.5 x 14	WD6003 000 000

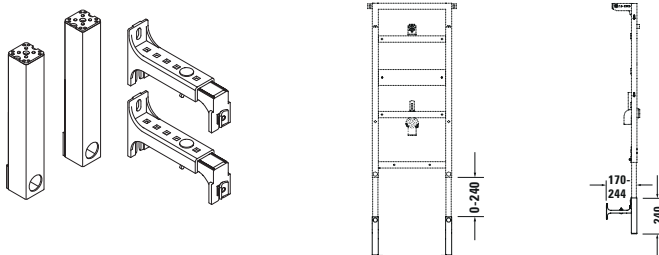
DuraSystem® accessory, basic installation kit for hygiene flush, mains operation



Technical data

Article description	Net weight kg	Shipping weight kg	Shipping dimensions cm h x d x w	Order no.
Hygiene flush power supply, mains operation	0.4	0.6	33.5 x 16 x 10.7	WD6004 000 000

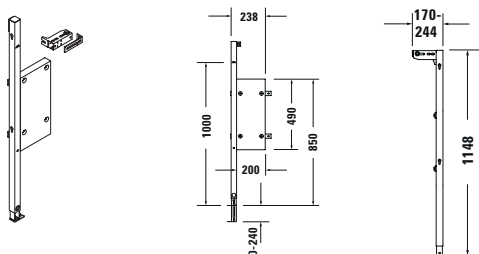
DuraSystem® accessory, extension set 240 mm



Technical data

Article description	Net weight kg	Shipping weight kg	Shipping dimensions cm h x d x w	Order no.
For extended height adjustments	1.6	1.8	31 x 23 x 5.8	WD6005 000 000

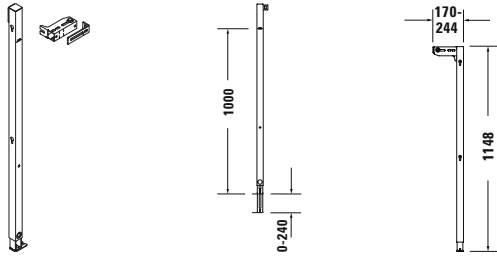
DuraSystem® accessory, expansion element



Technical data

Article description	Net weight kg	Shipping weight kg	Shipping dimensions cm h x d x w	Order no.
For connecting to washbasin frames	6.1	7.1	117 x 33 x 8.6	WD6006 000 000

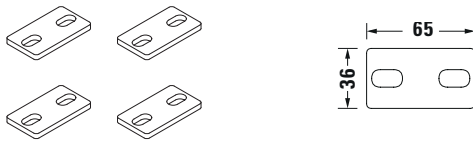
DuraSystem® accessory, support for expansion element



Technical data

Article description	Net weight kg	Shipping weight kg	Shipping dimensions cm h x d x w	Order no.
Bridging of gaps > 580 mm	2.9	2.9	114.8 x 17 x 4	WD6007 000 000

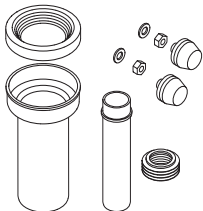
DuraSystem® accessory, noise reduction gasket



Technical data

Article description	Net weight kg	Shipping weight kg	Shipping dimensions cm h x d x w	Order no.
Structure-borne sound insulation		0.1	17.5 x 10.7 x 4	WD6008 000 000

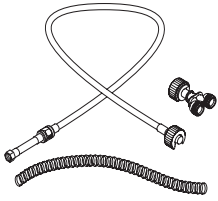
DuraSystem® accessory, connecting set for toilets, extended, 365 mm



Technical data

Article description	Net weight kg	Shipping weight kg	Shipping dimensions cm h x d x w	Order no.
Extended connecting kit	0.8	0.8	in a bag	WD6010 000 000

SensoWash® accessory, connecting kit (115 cm frame height)

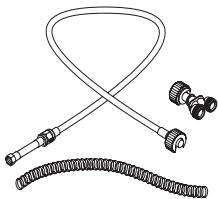


Technical data

Article description	Net weight kg	Shipping weight kg	Shipping dimensions cm h x d x w	Order no.
In combination with SensoWash	0.45	0.5	22 x 26 x 4	100691 00 00
In combination with SensoWash Starck f	0.45	0.5	22 x 26 x 4	100731 00 00

For front-wall elements with ductwork for connection in a cistern

SensoWash® accessory, connecting kit (reduced frame height)

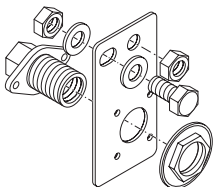


Technical data

Article description	Net weight kg	Shipping weight kg	Shipping dimensions cm h x d x w	Order no.
In combination with SensoWash	0.45	0.5	22 x 26 x 4	100730 00 00

For front-wall elements with ductwork for connection in a cistern

Pre-installation set

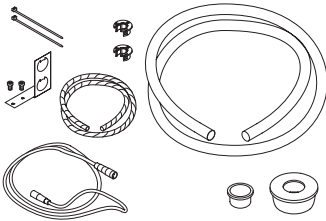


Technical data

Article description	Net weight kg	Shipping weight kg	Shipping dimensions cm h x d x w	Order no.
In combination with SensoWash	0.4	0.43	14 x 10 x 5	005072 00 00

For front-wall elements with a horizontal support console, without a shower toilet, pre-installation/ductwork

Interface set



Technical data

Article description	Net weight kg	Shipping weight kg	Shipping dimensions cm h x d x w	Order no.
In combination with SensoWash Starck f For a functional interface with the DuraSystem A2 actuator plate	0.19	0.19	28.5 x 30 x 2.3	100729 00 00

DURAVIT AG
P.O. Box 240
Werderstr. 36
78132 Hornberg
Germany
Phone +49 78 33 70 0
Fax +49 78 33 70 289
info@duravit.com
www.duravit.com

