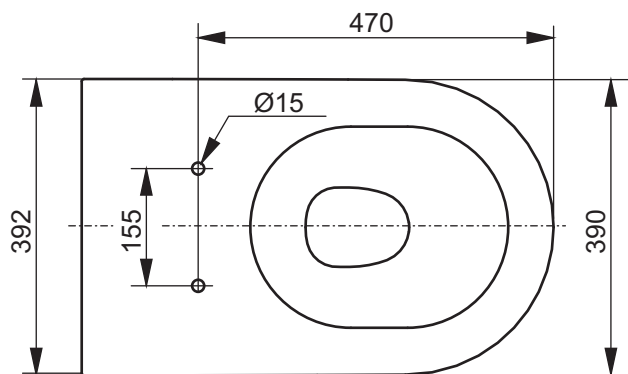


A. Floor connection - P trap

B. Floor connection - 90° trap

C. Wall connection



Designation		TOTO	
MH SERIES WC back-to-wall CW163Y			
Altered		Scale 1:10	
		Signed	T.G.
		Date	10/09/2013
			<small>This drawing including the respective data may neither be duplicated nor modified nor altered without the consent of TOTO Europe GmbH. The usage of the data/technical drawings takes place at user's own risk and under exclusion of any liability of TOTO Europe GmbH and/or of the companies of the TOTO-Group. The indicated dimensions are not binding; products are subject to change.</small>