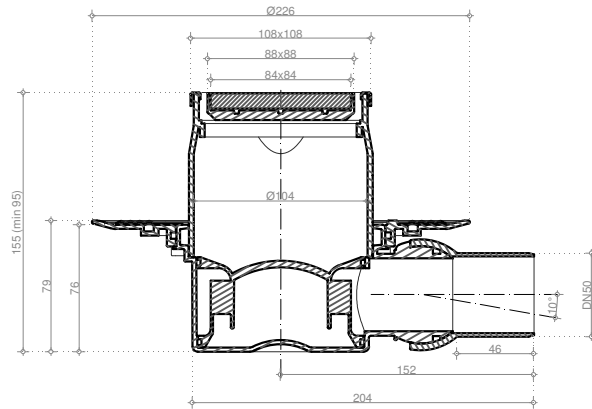


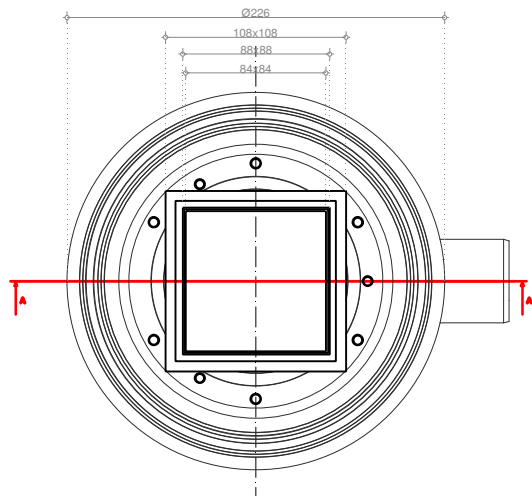
# DRY 1 Ceramic / DRY 1 Black Glass / DRY 1 White Glass

## Tehnicki crtez

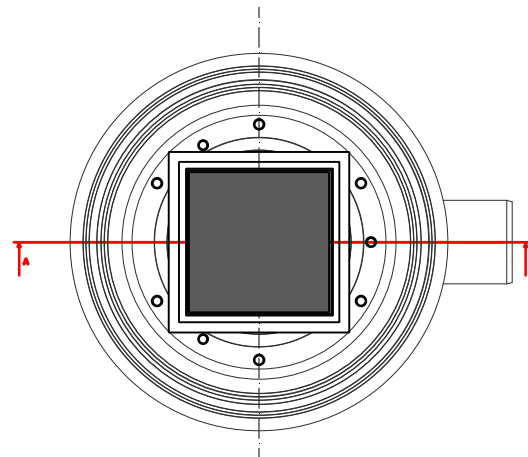
DRY 1 Ceramic / DRY 1 Black Glass / DRY 1 White Glass  
Presek ( \*isti u sva 3 slučaja )



DRY 1 Ceramic  
Varijanta rešetke



DRY 1 Black Glass  
Varijanta rešetke



DRY 1 White Glass  
Varijanta rešetke

