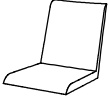


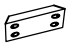
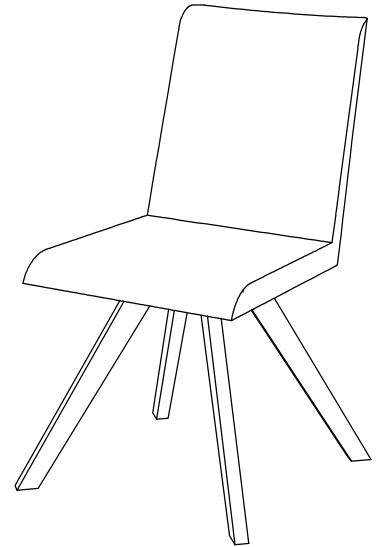


ASSEMBLY INSTRUCTION

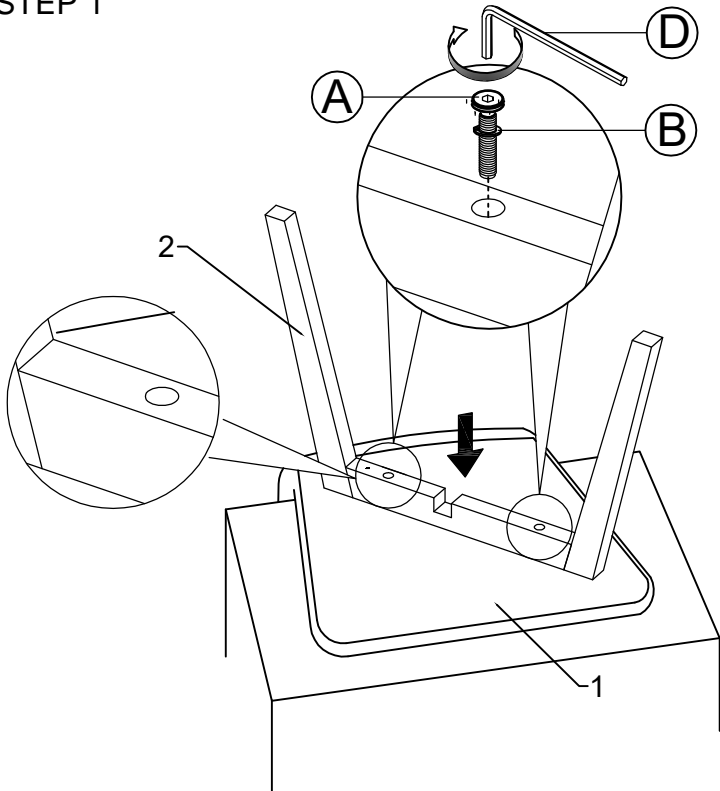
MODEL : LW1902

PART LIST		
1	Chair Body 	1 PC
2	Leg 	1 PC
3	Leg 	1 PC
4	Corner Block 	2 PCS

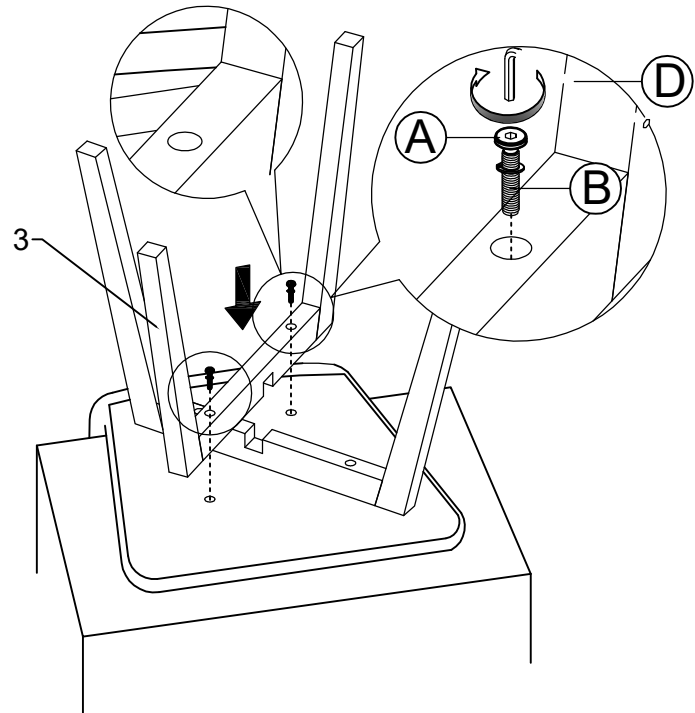
HARDWARE LIST		
A	JCBC M6 X 60mm 	4 PCS
B	Spring Washer M6 X 13mm 	4 PCS
C	CSK Screw M4 X 25mm 	8 PCS
D	Allen Key 	1 PC



STEP 1



STEP 2



STEP 3

