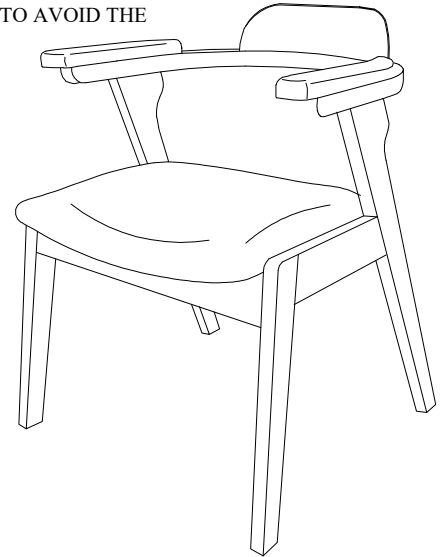


ASSEMBLY INSTRUCTIONS MODEL : MH 32020

IMPORTANT NOTE:

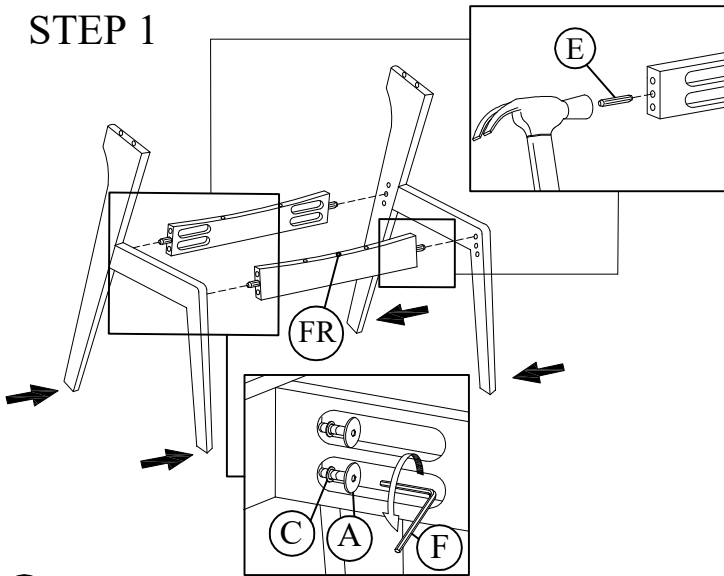
- * PLACE ALL WOODEN PARTS ON A CLEAN AND SMOOTH SURFACE SUCH AS A RUG OR CARPET TO AVOID THE PARTS FROM BEING SCRATCHED.
- * BEFORE YOU BEGIN, KINDLY FOLLOW THE ASSEMBLY INSTRUCTIONS STEP BY STEP.
- * DO NOT TIGHTEN ALL SCREWS UNTIL THE PRODUCT IS FULLY SET-UP.



HARDWARE LIST			
NO	DESCRIPTION		QTY
A		JCBC BOLT M6 X 40mm	12
B		JCBC BOLT M6 X 50mm	6
C		SPRING WASHER M6	8
D		CSK SCREW M4 X 32mm	4
E		WOOD DOWEL M8 X 30mm	4
F		ALLEN KEY M4	1

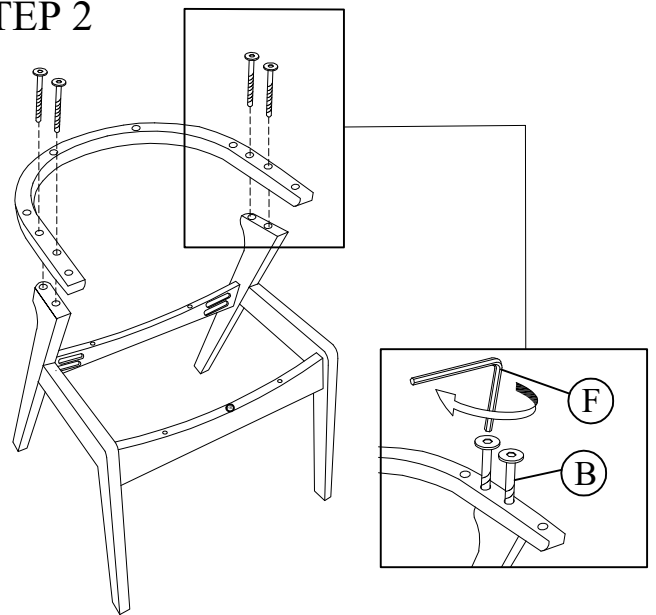
FULLY SET-UP

STEP 1

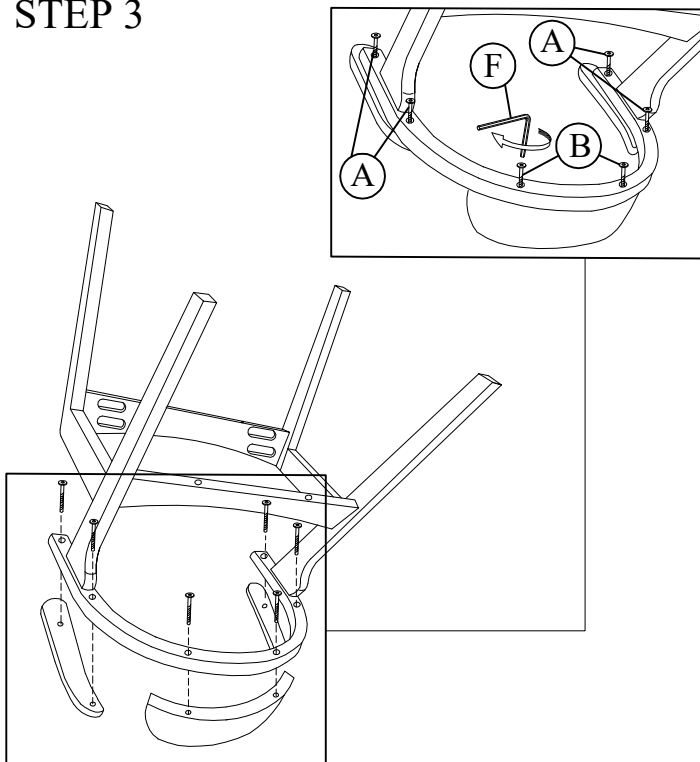


(FR) STICKER : FRONT

STEP 2



STEP 3



STEP 4

