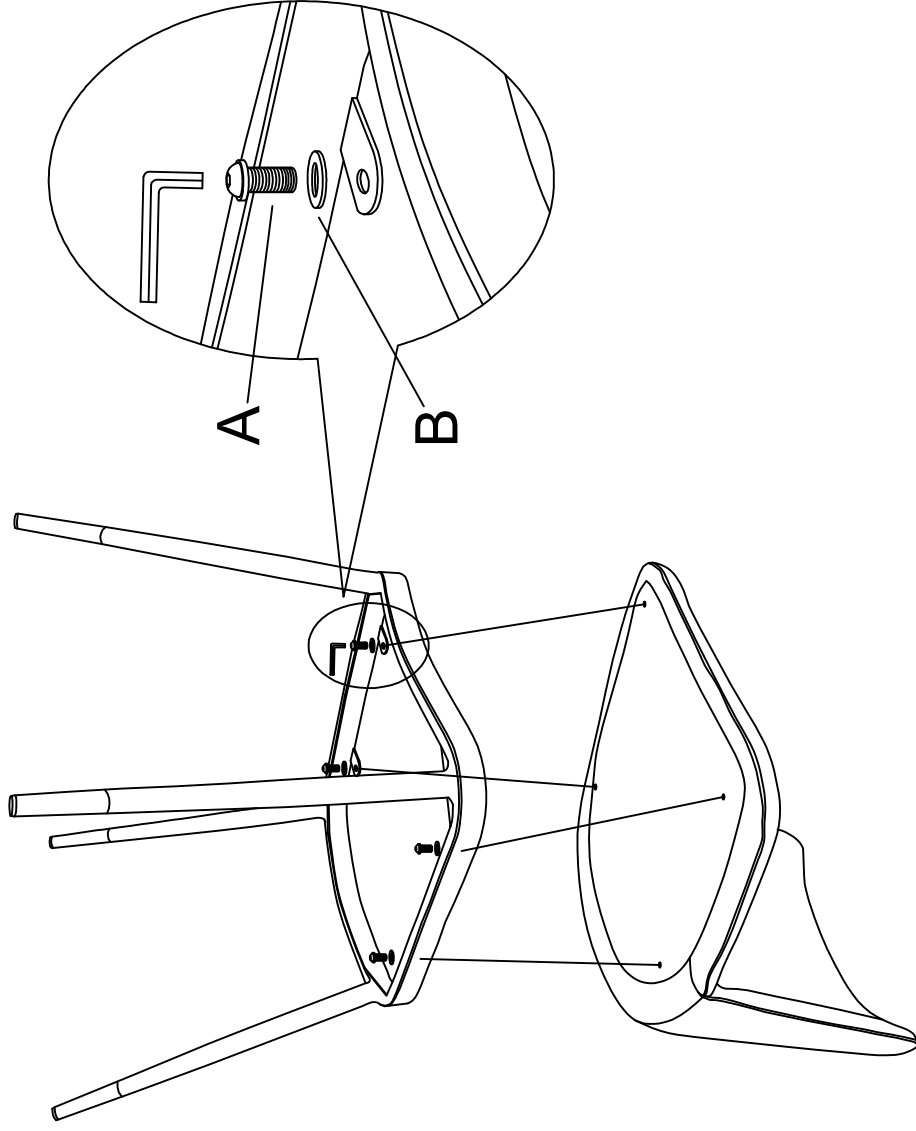


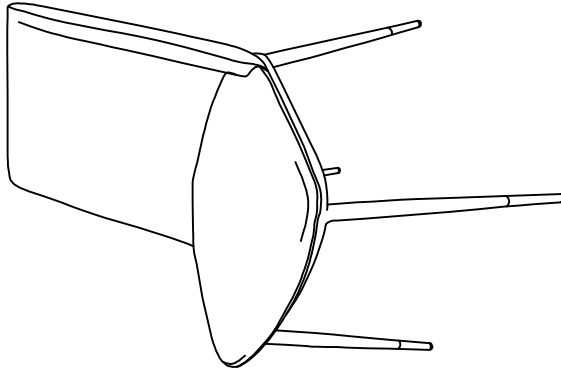


Step:1





A		x4
B		x4

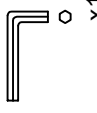
Finish



FDC8028


x1


0:10


x1