

Advantix Vario base unit, for Advantix Vario shower channel, can be cut to length continuously

Instructions for Use



for bonded sealing (tiled shower) with sealing mat

Model
4965.10

Year built:
from 01/2012

en_INT

viega

Table of contents

1	About these instructions for use	5
1.1	Target groups	5
1.2	Labelling of notes	5
1.3	About this translated version	6
2	Product information	7
2.1	Standards and regulations	7
2.2	Intended use	8
2.2.1	Areas of use	8
2.2.2	Media	8
2.2.3	Drainage capacity	9
2.3	Product description	9
2.3.1	Installation variations	9
2.3.2	Overview of the components	13
2.3.3	Technical data	15
2.3.4	Sound protection	15
2.4	Information for use	16
2.4.1	Sealing	16
2.4.2	Fire protection	18
2.5	Required accessories	18
3	Handling	19
3.1	Assembly information	19
3.1.1	Important note	19
3.1.2	Tools and materials	19
3.1.3	Installation dimensions	20
3.1.4	Recommended procedure	22
3.2	Assembly	22
3.2.1	Calculating the profile length in niche installation	22
3.2.2	Shortening the profile	24
3.2.3	Mounting the closing caps on base unit	26
3.2.4	Pre-mounting extending parts	26
3.2.5	Determine height	30
3.2.6	Mounting feet and drain socket	31
3.2.7	Aligning and connecting	34
3.2.8	Preparing for further work	38
3.2.9	Sealing the shower channel	39

3.2.10	Inserting the sieve	45
3.2.11	Mounting the standing grate	45
3.3	Care	48
3.3.1	Care tips	48
3.3.2	Cleaning	49
3.4	Disposal	50

1 About these instructions for use

Trade mark rights exist for this document; for further information, go to viega.com/legal.

1.1 Target groups

The information in this instruction manual is directed at the following groups of people:

- Heating and sanitary professionals and trained personnel
- Tilers
- Consumers

Individuals without the abovementioned training or qualification are not permitted to mount, install and, if required, maintain this product. This restriction does not extend to possible operating instructions.

The installation of Viega products must take place in accordance with the general rules of engineering and the Viega instructions for use.

1.2 Labelling of notes

Warning and advisory texts are set aside from the remainder of the text and are labelled with the relevant pictographs.



DANGER!

This symbol warns of possible life-threatening injury.



WARNING!

This symbol warns of possible serious injury.



CAUTION!

This symbol warns of possible injury.



NOTICE!

This symbol warns of possible damage to property.



This symbol gives additional information and hints.

1.3 About this translated version

This instruction for use contains important information about the choice of product or system, assembly and commissioning as well as intended use and, if required, maintenance measures. The information about the products, their properties and application technology are based on the current standards in Europe (e. g. EN) and/or in Germany (e. g. DIN/DVGW).

Some passages in the text may refer to technical codes in Europe/Germany. These should serve as recommendations in the absence of corresponding national regulations. The relevant national laws, standards, regulations, directives and other technical provisions take priority over the German/European directives specified in this manual: The information herein is not binding for other countries and regions; as said above, they should be understood as a recommendation.

2 Product information

2.1 Standards and regulations

The following standards and regulations apply to Germany / Europe. National regulations can be found on the relevant web site of your country at viega.com/standards.

Regulations from section: Sealing

Scope / Notice	Regulations applicable in Germany
Stress class of the underground, as well as suitable bonded sealing	ZDB-Merkblatt 8/2012
Stress class of the underground, as well as suitable bonded sealing	Leitfaden zur Abdichtung im Verbund (AIV)
Approved bonded sealings with proof of practicability in keeping with building law for stress classes A and AO	ETAG 022 T1
Approved bonded sealings with proof of practicability in keeping with building law for stress classes A, B and C	DIBt-Bauregelliste A, Teil 2 des DIBt und Prüfgrundsätze für Abdichtungen im Verbund (PG AIV-F)
Permitted bonded sealings	EN 14891

Regulations from section: Drainage capacity

Scope / Notice	Regulations applicable in Germany
Drainage capacity collective connection DN 50	DIN 1986-100
Drainage capacity collective connection DN 70	DIN 1986-100

Regulations from section: Media

Scope / Notice	Regulations applicable in Germany
Typical domestic wastewater	DIN 1986-3

Regulations from section: Sound protection

Scope / Notice	Regulations applicable in Germany
Fulfilled noise protection requirements	DIN 4109
Fulfilled noise protection requirements	VDI 4100

Regulations from section: Important notes

Scope / Notice	Regulations applicable in Germany
Dimensions of slots and recesses	EN 1996

2.2 Intended use

2.2.1 Areas of use

The shower channel is used in the bathroom as a drain for a floor-level shower. It is designed for small to medium volumes of water, which occur in e. g. residential building.

Technical information, see [↗ Chapter 2.3.3 „Technical data“ on page 15.](#)

2.2.2 Media

The shower channel is intended for draining of household-type wastewater in constant operation, see [↗ „Regulations from section: Media“ on page 7.](#)

- The short-term temperature of the wastewater may reach up to 95° C. The temperature must be considerably lower in constant operation.
- The pH value must be higher than 4 but lower than 10.

It is not permitted to introduce wastewater which would damage the product material.

2.2.3 Drainage capacity

For assembly with one drain

Accumulation height	without sieve insert	without sieve insert	with sieve insert	with sieve insert
	Installation height 95 mm	Installation height 165 mm	Installation height 95 mm	Installation height 165 mm
10 mm	0.45 l/s	0.75 l/s	0.4 l/s	0.7 l/s
20 mm	0.5 l/s	0.8 l/s	0.45 l/s	0.75 l/s

For mounting with collective connection (two or three drains)

When two or three drains are combined using a collective connection and a drainage capacity of > 0.8 l/s is expected, the dimensioning of the drainpipe must be DN 70.

The drainage capacity of the collective connection in DN 50	0.4–0.8 l/s (95–165 mm installation height) up to 0.8 l/s, see ↪ „Regulations from section: Drainage capacity“ on page 7
The drainage capacity of the collector line in DN 70	two or three drains: 0.8–1.6 l/s (95–165 mm installation height), see ↪ „Regulations from section: Drainage capacity“ on page 7

2.3 Product description

2.3.1 Installation variations



The length and shape of the Advantix Vario shower channel can be variably adapted. Use the shower channel configurator to calculate the material required for any design available: <http://advantix-vario.viega.de/>

The length of the shower channel can be adapted to suit:

- The base unit can be shortened to a length of 300 mm with millimetre precision.
- The length of the shower channel can be extended up to 2800 mm by installing accessory parts.

The shower channel can be altered in the following way using the following accessories:

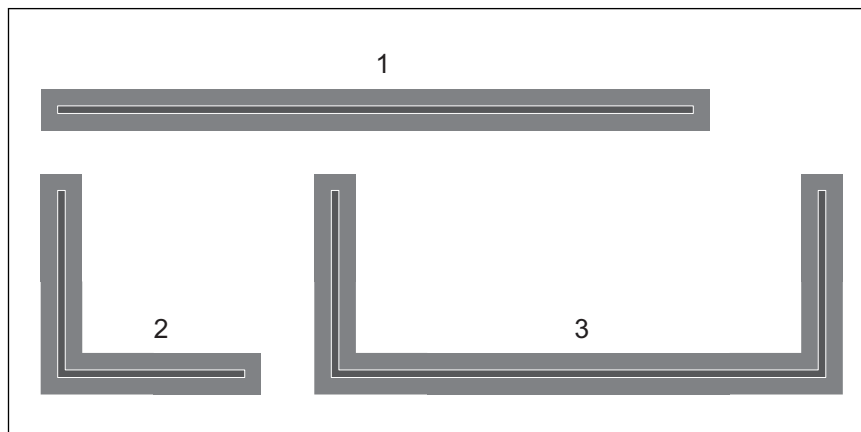
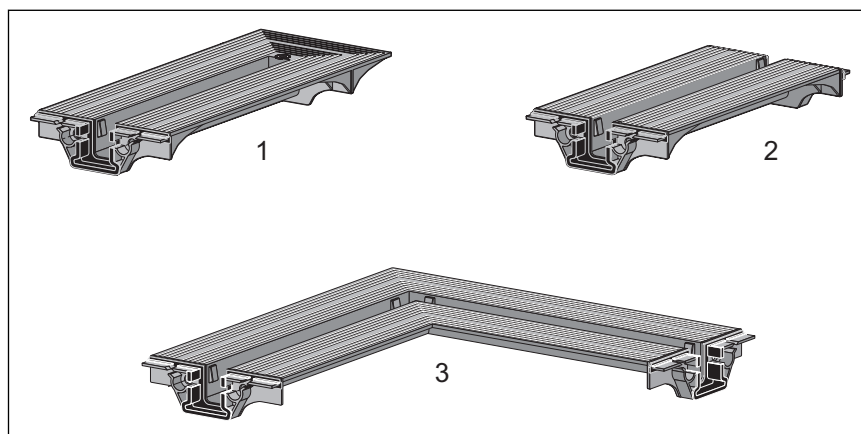


Fig. 1: Installation possibilities

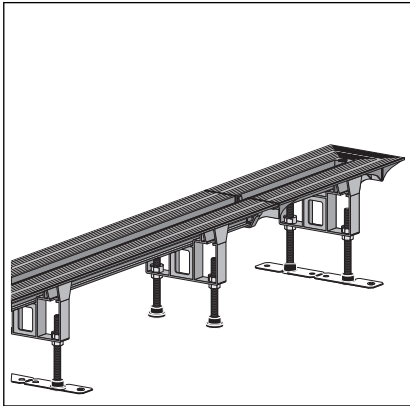
- 1 straight version, also possible with two base units
- 2 L-version
- 3 U-version

Extension parts

The following parts are available for individual shower channel design:



- 1 end closing piece, 275 mm
- 2 connection piece, 210 mm
- 3 connection piece 90°, 290 x 290 mm



end closing piece

Instead of the closing cap, a long element, the so-called "end closing piece" can be mounted onto the base unit. The base unit can therefore be extended accordingly.

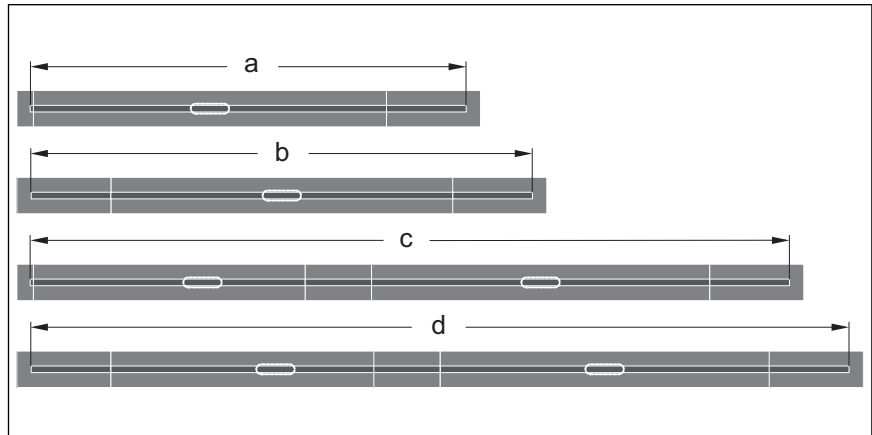
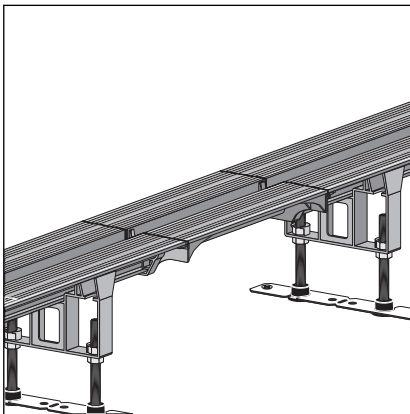


Fig. 2: Installation possibilities with end closing piece

- a max. 1451 mm
- b max. 1680 mm
- c max. 2651 mm
- d max. 2880 mm



Connection piece

The connection piece serves the purpose of joining two base units together. In this case, one of the base unit units must be shortened by the length of the connection piece (= 210 mm).



- The connection piece may not be shortened.
- The connection piece may not be used with the L or U versions.

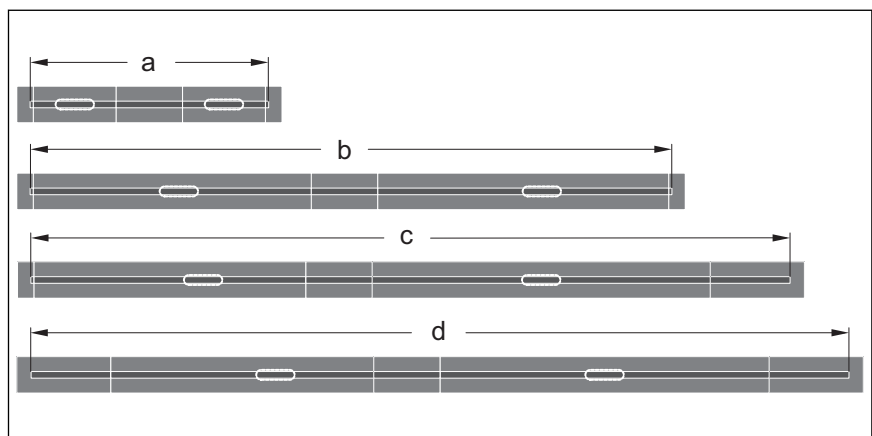


Fig. 3: Models with connection piece

- a min. 831 mm
- b max. 2422 mm
- c max. 2651 mm
- d max. 2880 mm

Connection piece 90°

The connection piece 90° enables the mounting shower channels in L- or U-models.

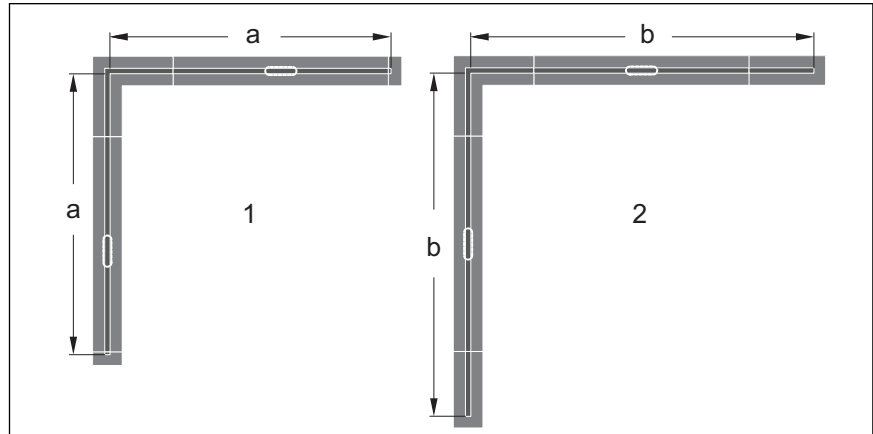
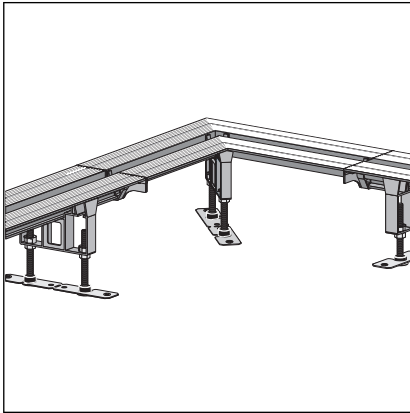


Fig. 4: Installation possibilities with connection pieces 90° for L version

- 1 with closing caps
- 2 with end closing pieces
- a 557–1457 mm
- b max. 1686 mm

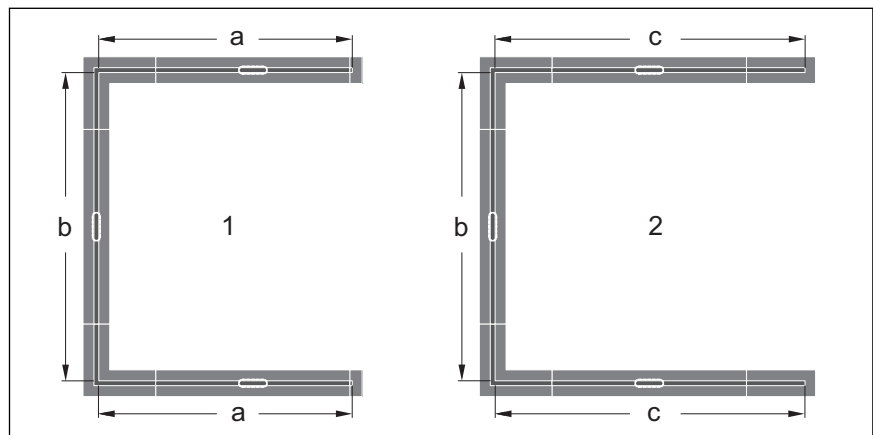


Fig. 5: Installation possibilities with connection pieces 90° for U version

- 1 with closing caps
- 2 with end closing pieces
- a 557–1457 mm
- b 792–1692 mm
- c max. 1686 mm

2.3.2 Overview of the components

Basic model

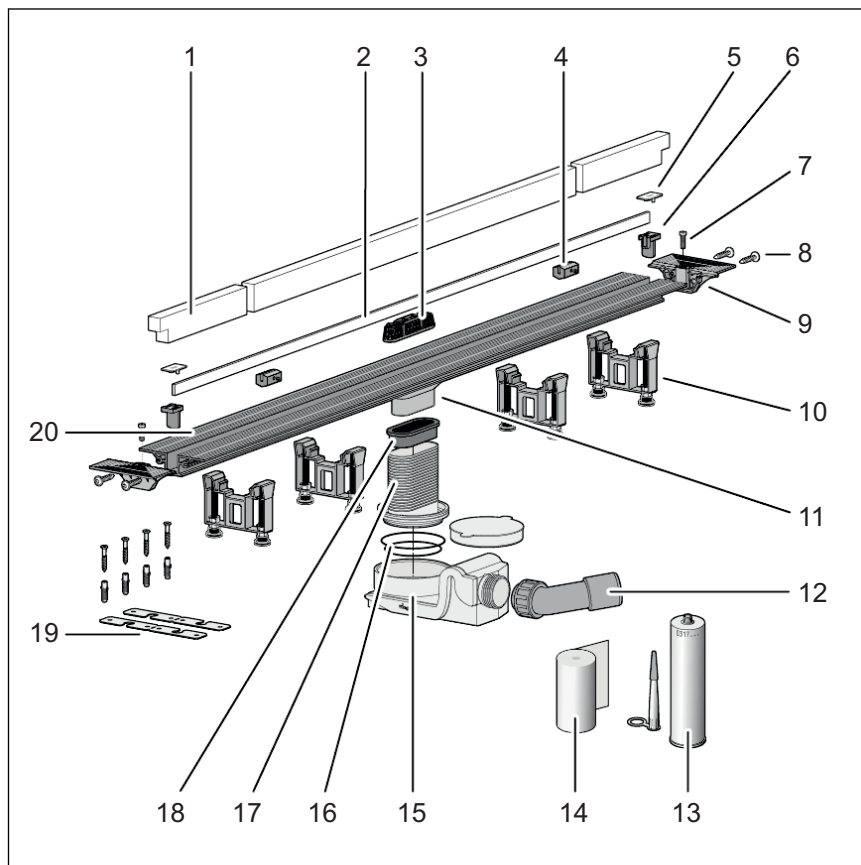


Fig. 6: Components and scope of delivery

- 1 protective insert made of hard foam
- 2 standing grate*
- 3 sieve*
- 4 grate supports*
- 5 cover caps*
- 6 grate holder*
- 7 screws for adjusting the feet*
- 8 fixing screws
- 9 closing cap
- 10 feet
- 11 base unit with drain socket
- 12 connection elbow 40/50
- 13 mounting adhesive
- 14 sealing tape
- 15 odour trap
- 16 O-rings
- 17 height adjustment piece
- 18 seal
- 19 fixing material
- 20 flange
- bag with grease
- 1 size 4 bit
- * not included in scope of delivery

Extension parts

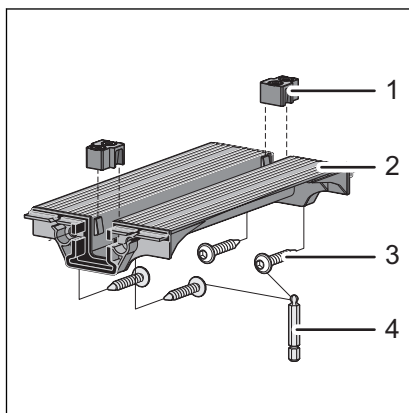


Fig. 7: connection piece, scope of delivery

- 1 spacer
- 2 connection piece
- 3 screws
- 4 Allen key size 4

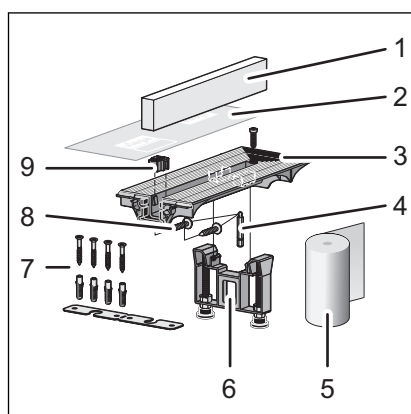


Fig. 8: end closing piece, scope of delivery

- 1 protective insert made of hard foam
- 2 protective foil
- 3 end closing piece
- 4 Allen key size 4
- 5 sealing tape
- 6 foot, height-adjustable
- 7 fixing material
- 8 screws
- 9 spacer

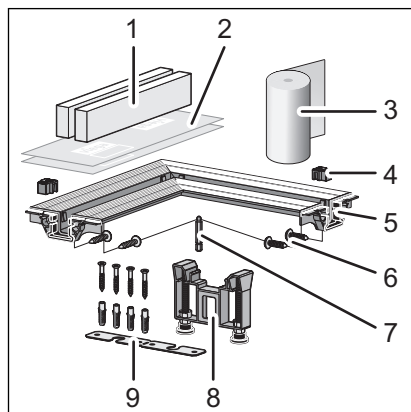


Fig. 9: connection piece 90°, scope of delivery

- 1 protective insert made of hard foam
- 2 protective foil
- 3 sealing tape
- 4 spacer
- 5 connection piece 90°
- 6 screws
- 7 Allen key size 4
- 8 foot, height-adjustable
- 9 fixing material

2.3.3 Technical data

Nominal width [DN]	40 / 50
Material	Base unit made of plastic
Drainage capacity	↪ Chapter 2.2.3 „Drainage capacity“ on page 9
Dimensions and installation height	↪ Chapter 3.1.3 „Installation dimensions“ on page 20
Water seal level	50 mm
Load	max. 120 kg load per standing grate bracket

2.3.4 Sound protection

The measured sound level during water drainage is 19 dB(A). For information on sound protection requirements met, see ↪ „Regulations from section: Sound protection“ on page 8.

2.4 Information for use

2.4.1 Sealing

Bonded sealing

To protect against moisture penetration, apply sealing foils, which are to be processed in liquid state, directly below the tiles on screed and walls. The determination of the stress class and the underground as well as the selection of the suitable bonded sealing must be carried out in compliance with the valid standards and regulations, see: ↗ „Regulations from section: Sealing“ on page 7.

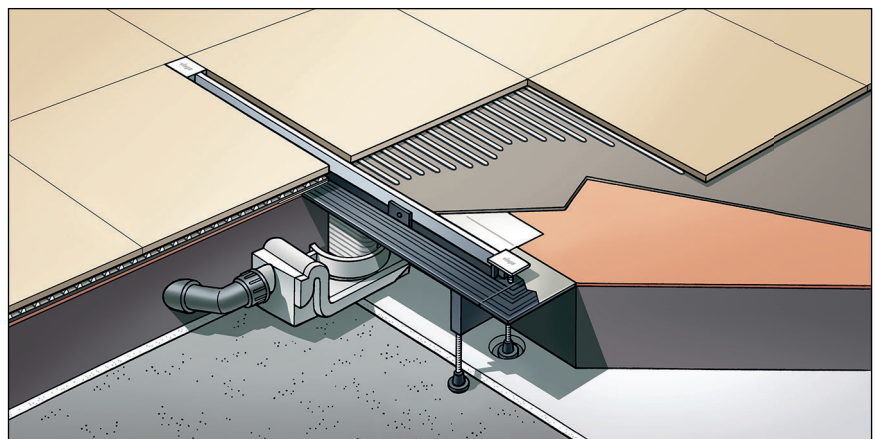


Fig. 10: Diagram of a bonded seal

Important note

Careful planning is required for professional sealing. In addition, depending on the individual dampness wear class and the type of foundation, a suitable thin bed sealing with a building regulations certificate of suitability must be chosen.

Furthermore, the following factors should be taken into account:

- Drain or shower channel must be equipped with a special flange, which has an adhesive surface and a width of at least 30 mm.
- For bridging the material change from drain to screed, either a suitable sealing collar or sealing tape designed for overlapping with the thin bed sealing over a width of at least 50 mm must be used.
- The screed must be laid at a minimum incline of 1–2 %.
- The installation must be carried out properly in acc. with the mounting instructions and the manufacturer's information.

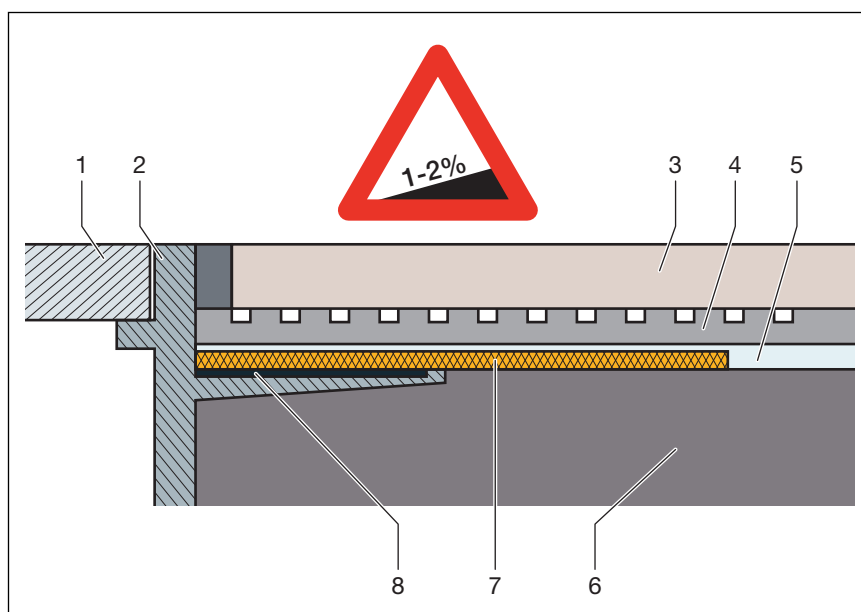


Fig. 11: Construction diagram of the bonded seal - min. screed incline 1–2 %

- 1 Grate
- 2 Top piece with adhesive flange
- 3 Tile
- 4 Tile cement
- 5 Bonded sealing
- 6 Screed
- 7 sealing collar
- 8 adhesive

Permitted bonded seals

In connection with suitable drains, only approved bonded sealings with proof of practicability in keeping with building law may be used. See [☞ „Regulations from section: Sealing“ on page 7.](#)

Information regarding the procedure can be found in the instructions for use of the corresponding product.

2.4.2 Fire protection

Advantix shower channels and drains can both be fitted to be fire proof. The R120 pipe lead-in can be used for this purpose in the floor construction. In this way, a fire resistance time of up to 120 minutes can be achieved.

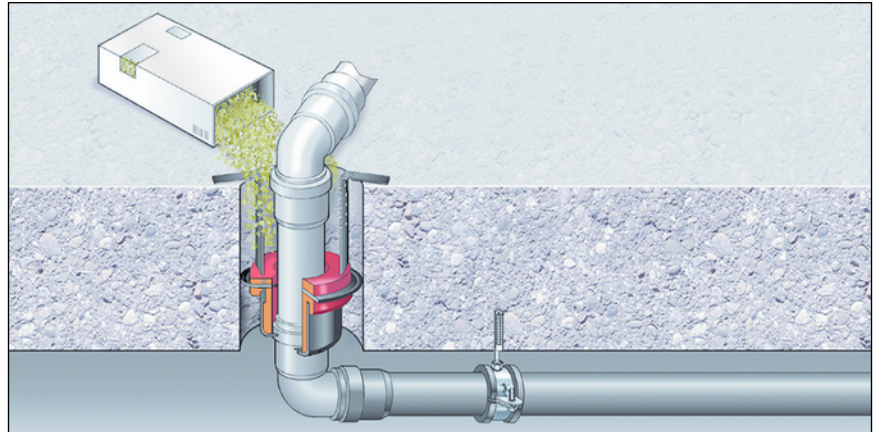


Fig. 12: Example: fire protection pipe lead-in

Mounting instruction of the R120 pipe lead-in see model 4923.5, Art.-No. 491 673.

2.5 Required accessories

If the basic model of the Vario shower channel is extended by additional components, the following accessories are required for the mounting of these components.

Per installed component *one* corresponding standing grate set and *one* accessory set is required. The complete range and the required information can be found in the catalogue.

3 Handling

3.1 Assembly information

3.1.1 Important note

Before assembly:

- Check if the drainage capacity of the model chosen is sufficient for the arising water volume ↪ *Chapter 2.2.3 „Drainage capacity“ on page 9.*
- In the case of the connection of two or three shower channels: Observe the information for dimensioning of collective lines ↪ *Chapter 2.2.3 „Drainage capacity“ on page 9.*
- An adequate level of floor covering stability must be guaranteed ↪ *Chapter 2.3.3 „Technical data“ on page 15.* This can be achieved either through an adequate covering of screed or another alternative solution. Relevant measures must be considered before mounting.
- The dimensions of slots and recesses must be in compliance with the regulations from section ↪ *„Regulations from section: Important notes“ on page 8.*

During assembly:

- Observe installation dimensions.
- For barrier-free showers:
Position the shower channel in such a way that wheelchair wheels can only cross it at right angles. Viega recommends mounting the shower channel as close to the wall as possible.
- Do not use mounting adhesive older than 18 months.
- Position the shower channel in such a way that the grate is removable.

After assembly:

- The shower channel must be fully lined with mortar.
- The sealing accessories should be given to the person responsible for the bonded sealing (e. g. tiler).
- Coordinate all relevant installation details, especially regarding the bonded sealing, with those responsible for the subsequent work.

3.1.2 Tools and materials

Special tools

- Spanner size 13
- Hand saw (saw blade maximum 1.5 mm)
- An Allen key in each of the sizes 2.5 and 3
- Drill, 6 mm
- Tool for the removal of the grate (e. g. model 4965.90, art. no. 689 704)

Mounting adhesive

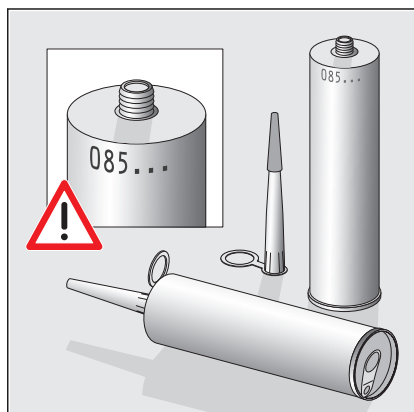


Fig. 13: Filling date of the mounting adhesive

Mounting adhesive can be used for a maximum of 18 months.

The filling date is found on the top edge of the cartridge. The first two numbers represent the month, the following number the year.

Example

085...

Filling date = August (08) 2015 (5)

3.1.3 Installation dimensions

Shower channel, basic model with one base unit

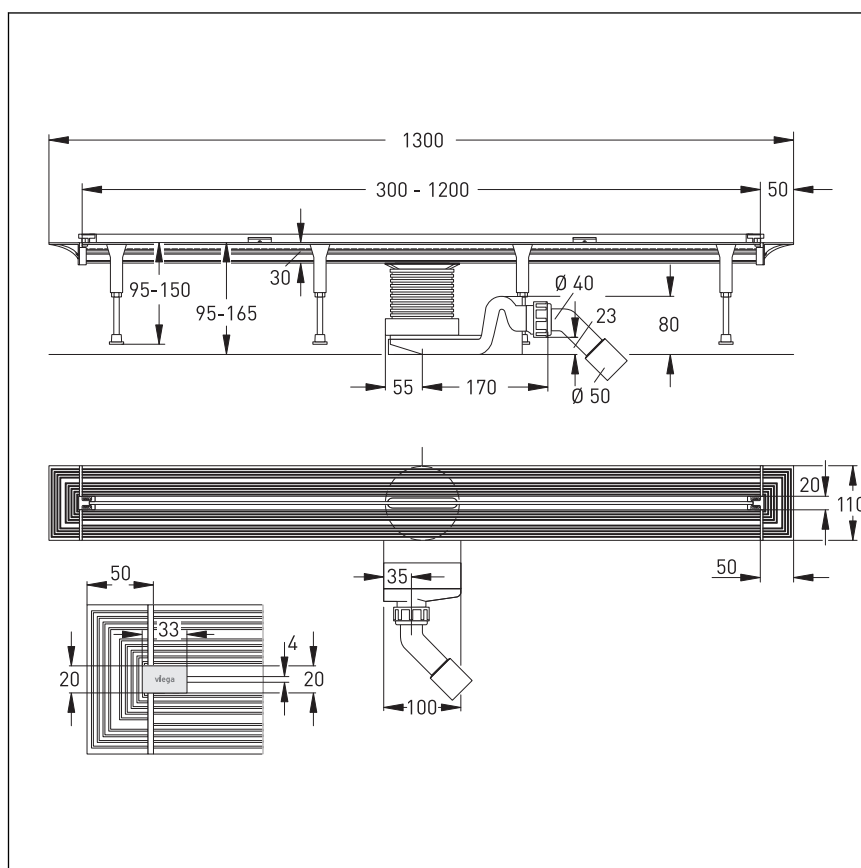


Fig. 14: Dimensions of base unit basic model

Connection piece

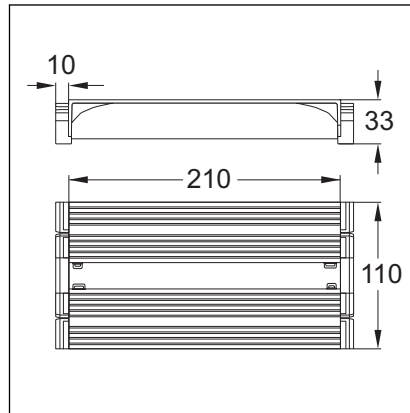


Fig. 15: Dimensions of connection piece

end closing piece

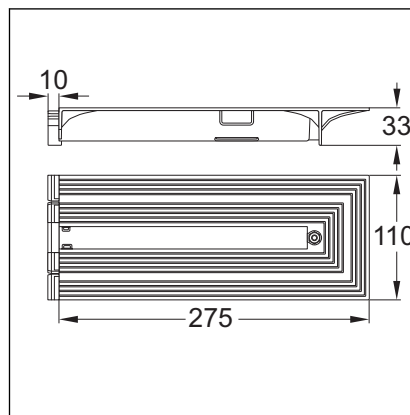


Fig. 16: Dimensions of end closing piece

connection piece 90°

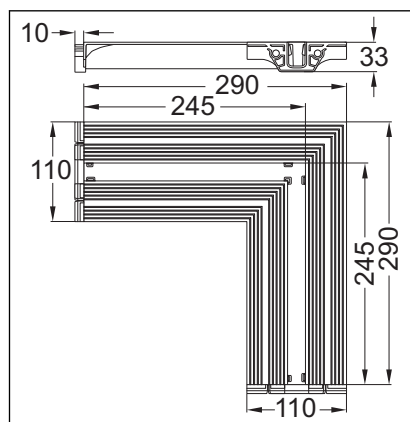


Fig. 17: Dimensions of connection piece 90°

3.1.4 Recommended procedure

The variable installation possibilities of the Advantix Vario require careful planning of the assembly steps. Viega generally recommends the following order:

1. Calculate length and cut profile to length if necessary.
2. Pre-mount all short profile parts.
3. Connect the pre-mounted parts to the desired shape.
4. Calculate height and mount feet.
5. Mount base unit and align shower channel.
6. Line the shower channel with screed and seal.
7. Tile the floor.
8. Mount the standing grate.

Description of the assembly steps, see [Chapter 3.2 „Assembly“](#) on page 22.

3.2 Assembly

3.2.1 Calculating the profile length in niche installation

When fitting a shower channel in a niche, the correct size of niche is of importance so that it will be possible to remove the grate. The exact profile length must be calculated for this. The base unit without closing caps is taken as the profile length.

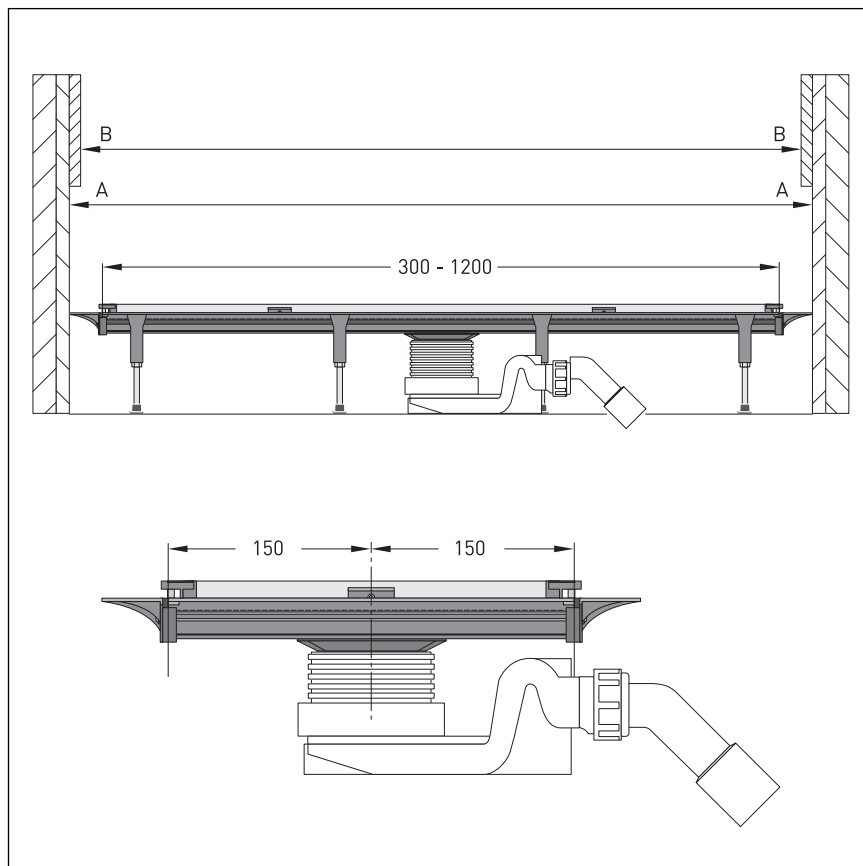


Fig. 18: Niche dimensions

A = Minimum width of the niche from plaster to plaster

B = Minimum width of the niche from tile to tile

The basis of the calculation for the length of the profile is the shower niche after plastering (see dimension A).

The length of the closing caps is subtracted from this measurement. The result is the profile length.

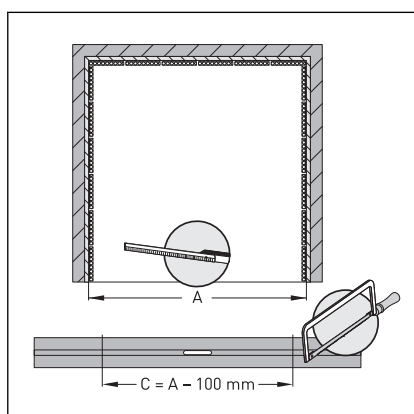
Example

1030 mm (plastered shower niche)
 -
 100 mm (2 closing caps 50 mm each)
 =
 930 mm (profile length)

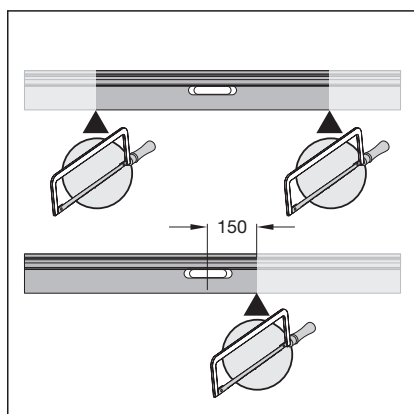
3.2.2 Shortening the profile



- If two Vario shower channels are to be joined together, one of the base units must be shortened by at least 210 mm ↪ Chapter 3.2.2 „Shortening the profile“ on page 23.
- End closing pieces, connection pieces and connection pieces 90° must not be shortened.

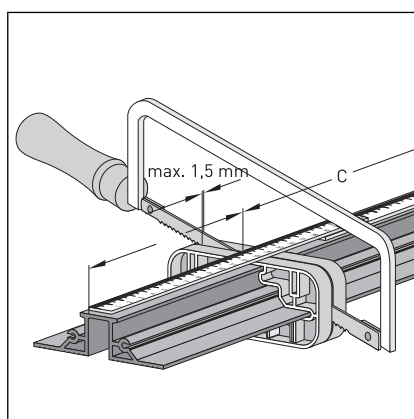


- Calculate profile length, also see ↪ Chapter 3.2.1 „Calculating the profile length in niche installation“ on page 22.



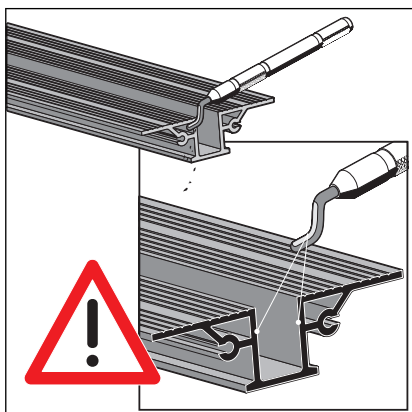
- Transfer the length of the profile onto the shower channel.

INFO! Depending on the installation situation, the shower channel can be shortened on one or both sides. The position of the drain may be chosen freely. However, the distance from the middle of the drain to the end of the profile may not be less than 150 mm.

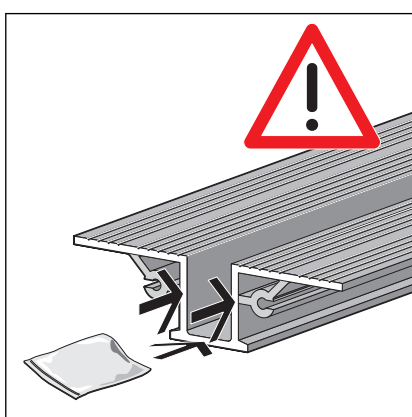


- Shorten the profile with a hacksaw.

The saw blade must not be wider than 1.5 mm.



- Carefully deburr all edges.
Particular attention should be paid to surfaces in contact with the seal.



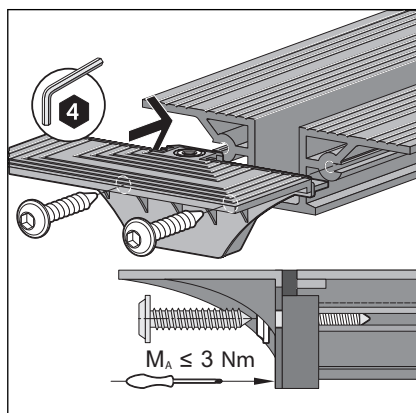
- The profile must be lubricated in the area around the seal.
INFO! No lubricant should come into contact with the flange! Optimal adhesion of the sealing material is only ensured on a grease-free flange.

- If necessary, clean flange. Use the cleaning cloth supplied or a non-greasing cleaner, e. g. isopropanol.

You now have various possibilities:

- Mount closing caps and base unit. ↪ *Chapter 3.2.3 „Mounting the closing caps on base unit“ on page 26*
- Mount extending parts. ↪ *Chapter 3.2.4 „Pre-mounting extending parts“ on page 26*

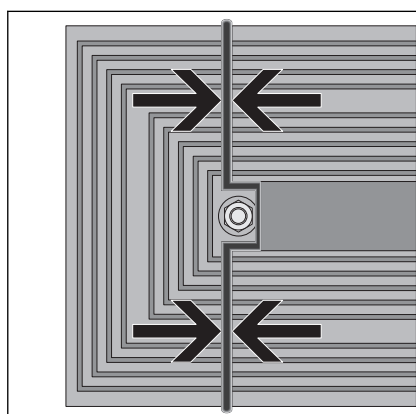
3.2.3 Mounting the closing cap on base unit



► Screw the closing cap onto the profile straight.

When using a cordless screwdriver, make the last few turns by hand.

Only tighten screws hand-tight!



⇒ The closing cap is properly mounted when the seal is pushed together **gently**.

You must now calculate the height and align the shower channel
 ↪ Chapter 3.2.5 „Determine height“ on page 30.

3.2.4 Pre-mounting extending parts

To start with, all short profile parts should pre-mounted. Then the pre-mounted units are connected to the base unit.

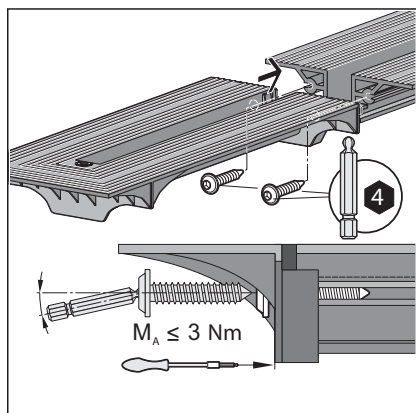


NOTICE!
Risk of breakage when lifting

Do not lift or turn pre-mounted units on one side.

- In the case of L and U designs, lift the sides at the same time.

Mounting the end closing piece



- Screw the end closing piece onto the profile.

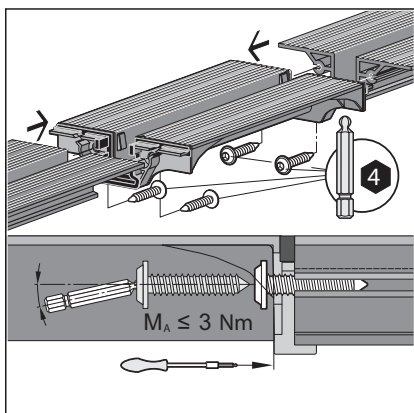
When using a cordless screwdriver, make the last few turns by hand.

Only tighten screws hand-tight!



- ⇒ The end closing piece is properly mounted when the seal is pushed together **gently**.

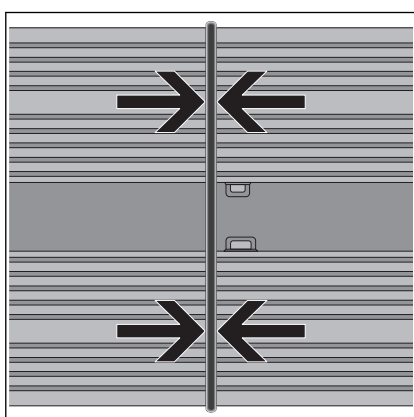
Mounting the connection piece



- Screw the connection piece onto the profile straight.

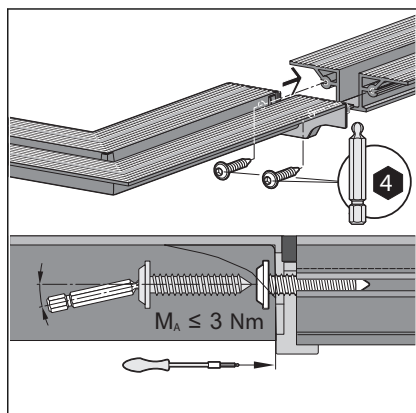
When using a cordless screwdriver, make the last few turns by hand.

Only tighten screws hand-tight!



- ⇒ The connection piece is properly mounted when the seal is pushed together **gently**.

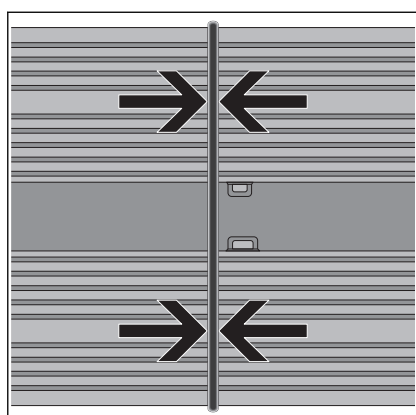
Mounting the connection piece 90°



- Screw the connection piece 90° onto the profile straight.

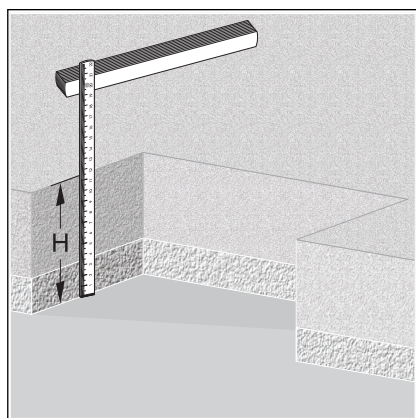
When using a cordless screwdriver, make the last few turns by hand.

Only tighten screws hand-tight!

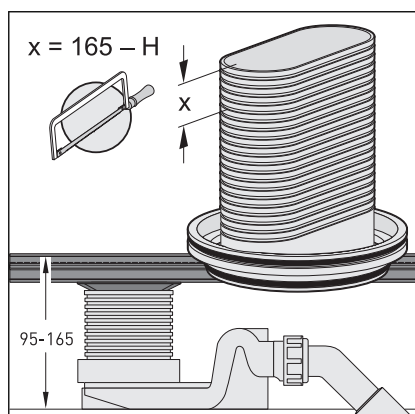


- ⇒ The connection piece 90° is properly mounted when the seal is pushed together **gently**.

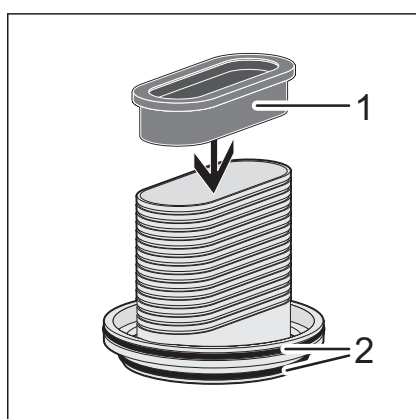
3.2.5 Determine height



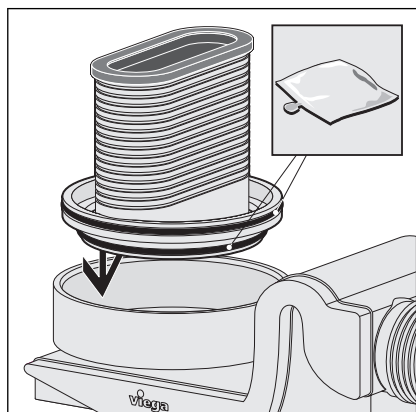
- Determine screed height (H).
The max installation height is 165 mm.



- Shorten the height adjustment piece by dimension H.



- Deburr height adjustment piece.
- Mount seal (1) and both O-rings (2).



► Lubricate seal and O-rings.


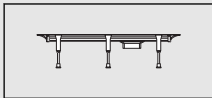
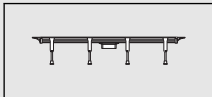
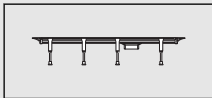
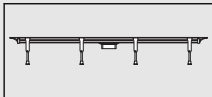
► Place the height adjustment piece into the drain.

3.2.6 Mounting feet and drain socket



*If two Vario-shower channels are connected to one another, one of the base units must be shortened by at least 210 mm
 ↪ Chapter 3.2.2 „Shortening the profile“ on page 24.*

► Calculate the number of feet required using the table.

Length of the shower channel	Number of feet	Spacing
30–60 cm	2	
60–90 cm	3	
60–90 cm	4	
90–120 cm	4	
90–120 cm	4	

The following applies for mounting the feet:

- The maximum permissible distance between two feet is 400 mm.
- The maximum permissible distance between a foot and a fixing point of two parts is 100 mm.

A fixing point is the point where two components are screwed together.

- *During the mounting of connection pieces 90°:*

An additional foot must be mounted below the corner angle

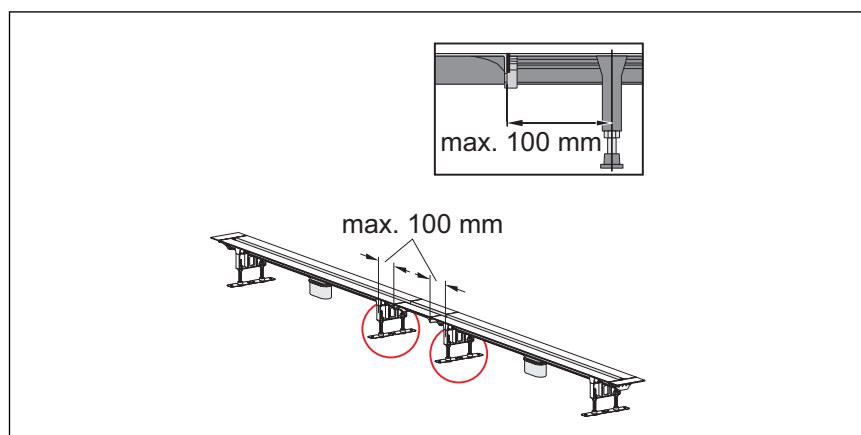


Fig. 19: distance between fixing point and foot = maximum 100 mm

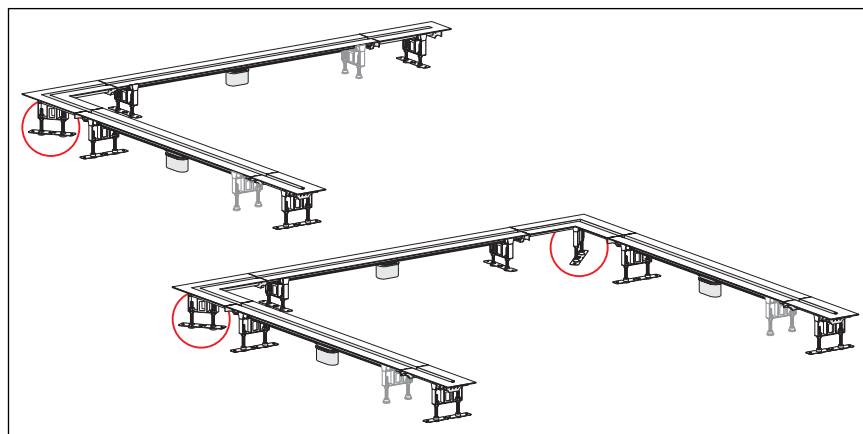
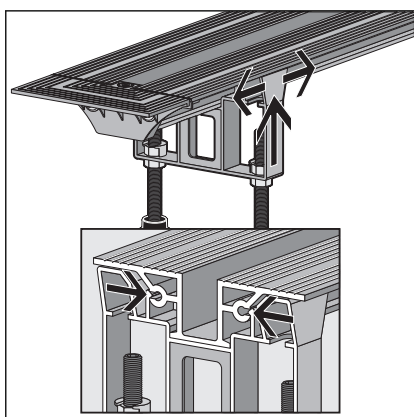


Fig. 20: when using the connection piece 90°, an additional foot must be mounted below the corner

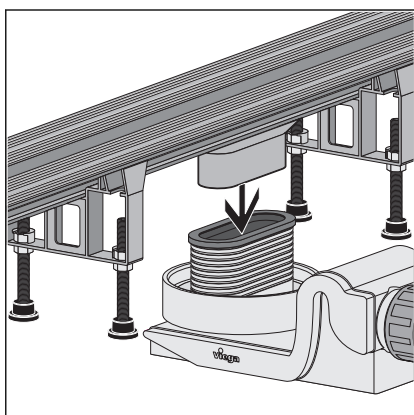


► Position the foot and push the profile into place.

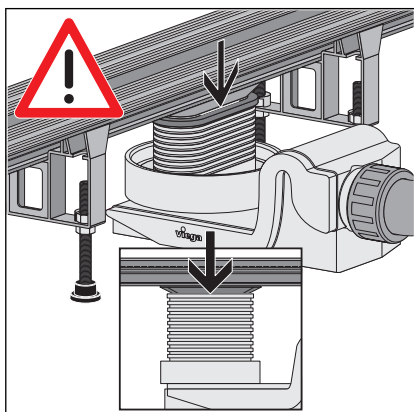
Insert the drain socket

WARNING! Risk of breakage when lifting Do not lift or turn the shower channel on one side.

- In the case of L and U designs, lift the sides at the same time.



► Push the shower channel with the drain socket into the height adjustment piece as far as it will go.



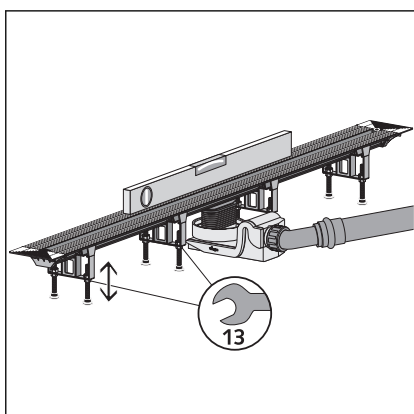
- Check whether the shower channel is inserted as far as it will go.

3.2.7 Aligning and connecting

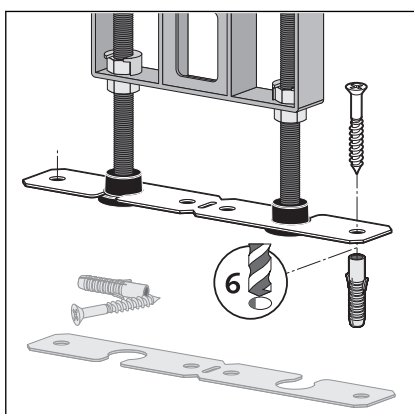
Aligning and connecting the base unit



The water that occurs must be discharged properly. If required, multiple drains and suitably dimensioned drain-pipes must be installed ↪ Chapter 2.2.3 „Drainage capacity“ on page 9.

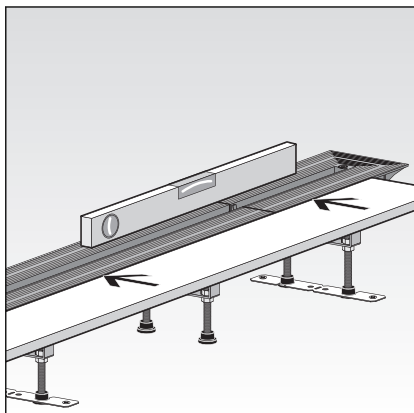


- Align shower channel horizontally.
The water can then drain away well.

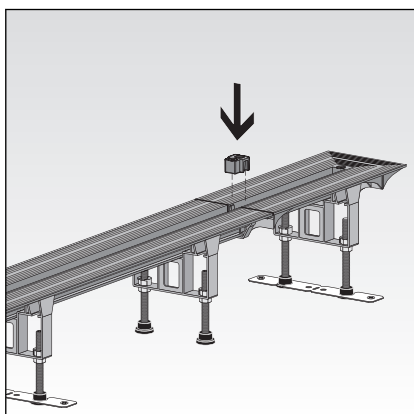


- Fix the foot height adjustment with lock nuts.
- Connect the drain to the wastewater system.
- Secure the feet in place with fixing material if necessary.

Aligning the end closing piece

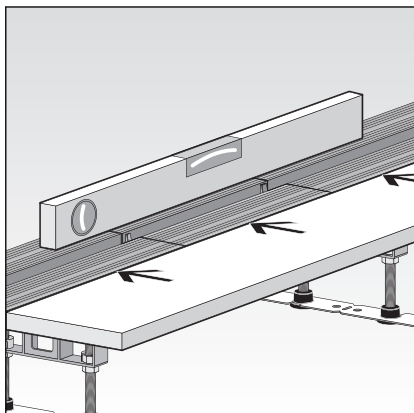


- Align the shower channel and connection piece horizontally to one another.

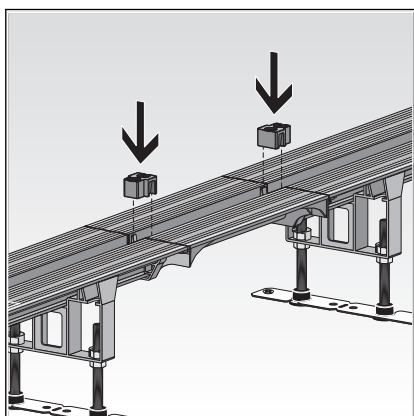


- Insert spacer.
The spacers prevent the shower channel from being deformed when the screed hardens later.

Aligning the connection piece

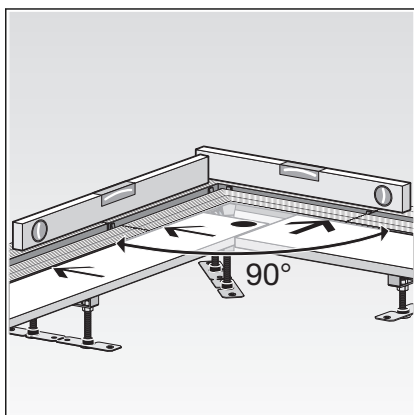


- Align the shower channel and connection piece horizontally to one another.

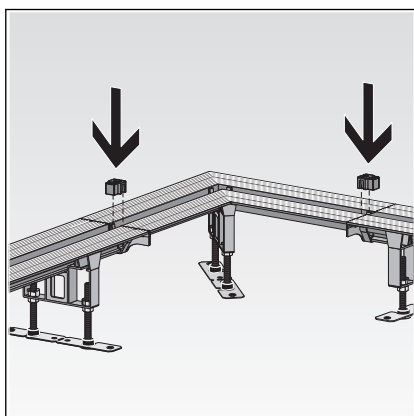


- Insert spacer.
The spacers prevent the shower channel from being deformed when the screed hardens later.

Aligning the connection piece 90°

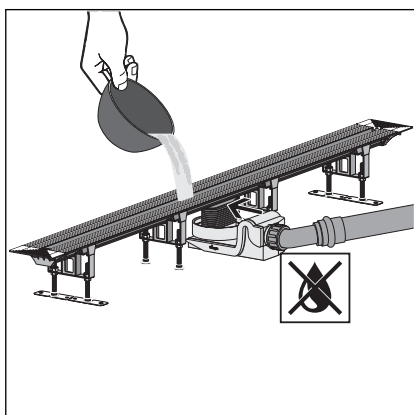


- Align shower channel and connection piece 90° both horizontally and perpendicular to one another.

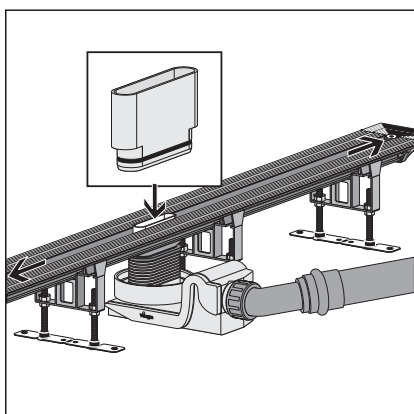


- Insert spacer.
The spacers prevent the shower channel from being deformed when the screed hardens later.

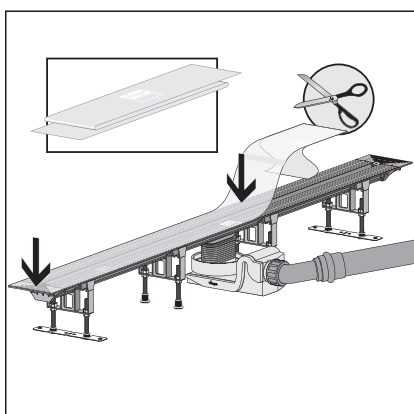
3.2.8 Preparing for further work



- Fill shower channel with water.
- Check drain casing and pipe for leaks.



- Insert the test adapter into the drain opening of the shower channel.



- Fill the shower channel up to just below the flange with water.
- Check the end closing pieces for leaks.
- If necessary, shorten the protective foil and stick onto the flange.
Completely cover the closing caps with protective foil.

Lining with screed



NOTICE! Product damage due to improper installation

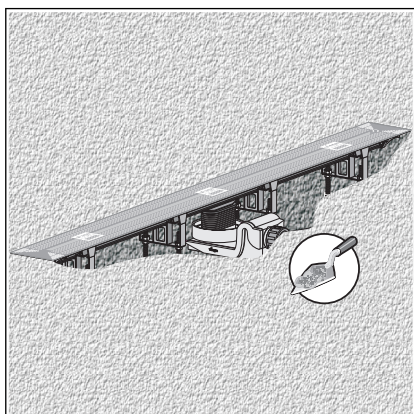
If hollow spaces occur during the lining of the shower channel, leaks may occur when pressure is applied.

Inform the subsequent workers that the shower channel must be fully lined and that there must be no hollow spaces.

Requirements:

- The flange must be coated with protective foil.

INFO! Screed and floor tiles must be laid at an incline of 1–2 % in the direction of the shower channel.

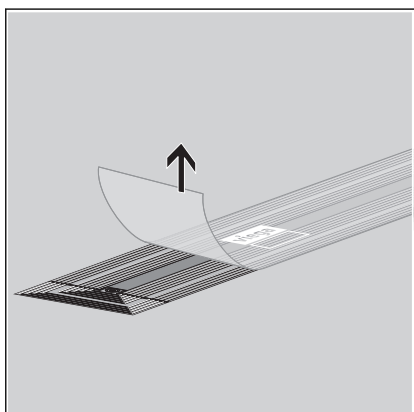


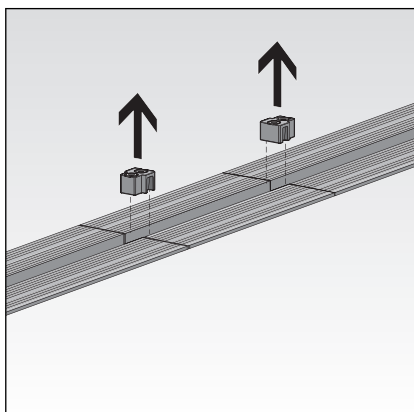
3.2.9 Sealing the shower channel



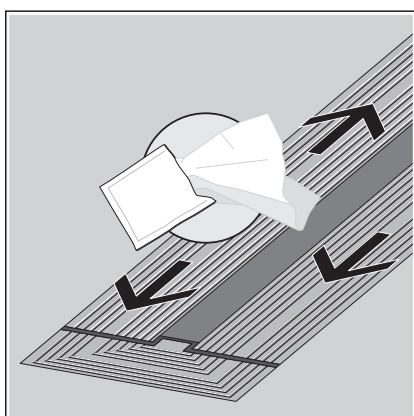
Screed and floor tiles must be laid at an incline of 1–2 % in the direction of the shower channel.

- Remove protective foil.

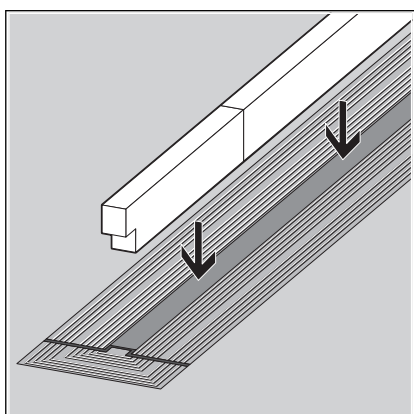




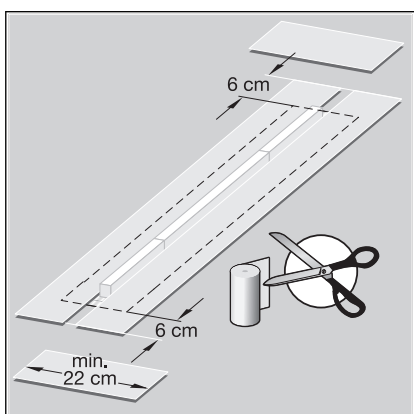
- ▶ *When using extension pieces:*
 Remove spacer.



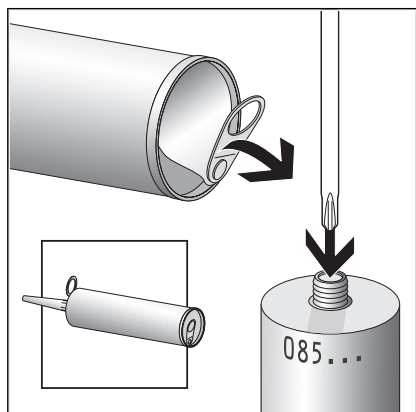
- ▶ If necessary, clean flange.
 Use the cleaning cloth supplied or a non-greasing cleaner, e. g. iso-propanol.



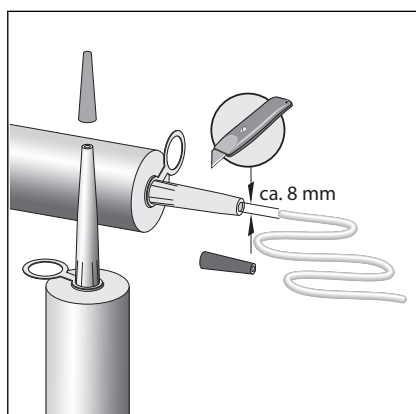
- ▶ Cut protective insert to size and insert.



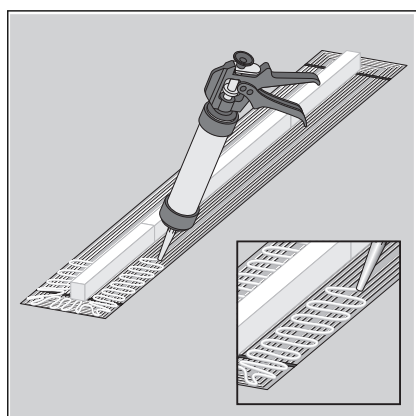
- ▶ Cut the sealing tape strips generously.
 The strips should overlap when stuck on.



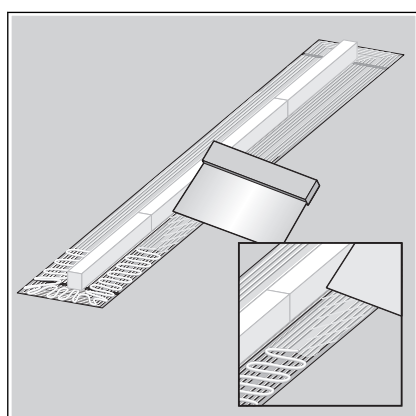
- Check the expiry date on the cartridge, see ☞ „Mounting adhesive“ on page 20.
- Open the aluminium cover at the end of the cartridge, and lift.
- Fully pierce the membrane in the thread of the cartridge.



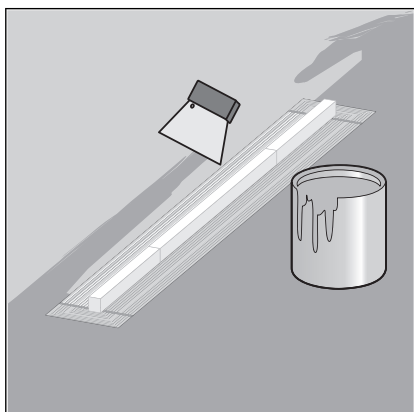
- Screw the nozzle on.
- Cut the nozzle so that the opening is approx. 8 mm wide.



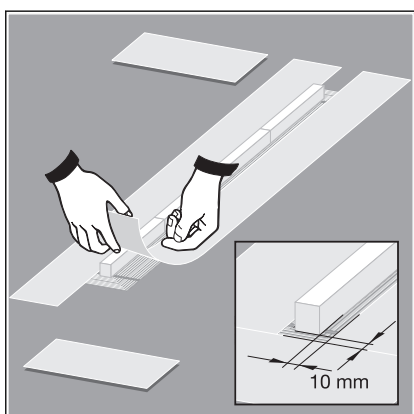
- Apply mounting adhesive in curves.
Observe the shelf life of the mounting adhesive, see ☞ „Mounting adhesive“ on page 20.



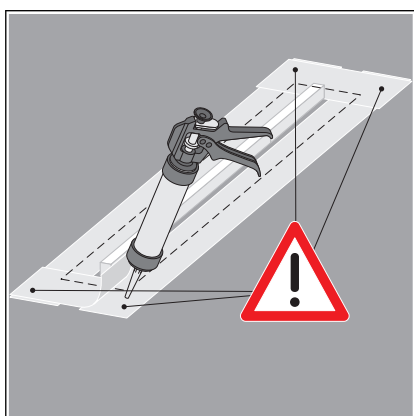
- Distribute the mounting adhesive evenly using a smooth spatula.



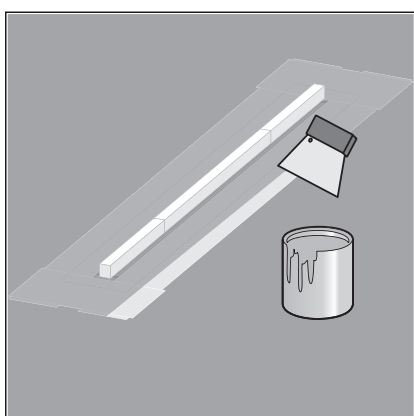
- Apply the first layer of bonded sealing generously onto the screed. Observe the bonded sealing manufacturer's instructions for use.



- Press the sealing tape firmly onto the mounting adhesive and bonded sealing. In doing so, leave approx. 10 mm to the protective insert uncovered.



- Position the sealing tape on the flange so that the flange and screed are uniformly covered. Overlap the corners in the process.
- Stick the overlapping strips together at the corners with mounting adhesive.
- Rework the sticking points with a roller.

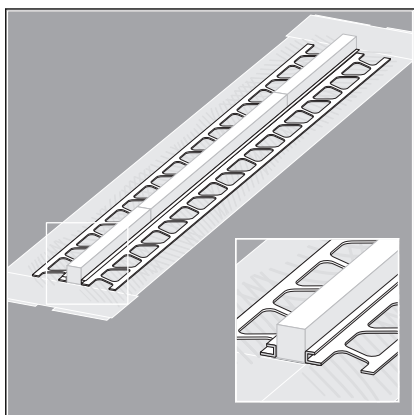


- Let the adhesive dry for approx. 4 hours.
- Apply the second layer of bonded sealing generously onto the sealing tape and floor screed.

If no cover trim is to be fitted, the floor can be tiled.

Further see ↗ „Mounting without cover trim rail“ on page 44.

Mounting with cover trim rail



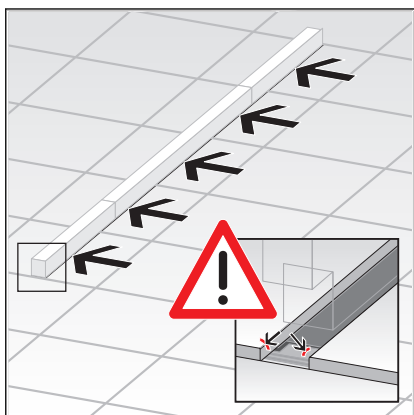
- Stick the profile in a straight line on the insert.
The rail must be closed with the protective insert at both ends.

- Deburr edges that were cut.
- Avoid differences in height between different parts of the strip.
 - ⇒ You have installed the shower channel.

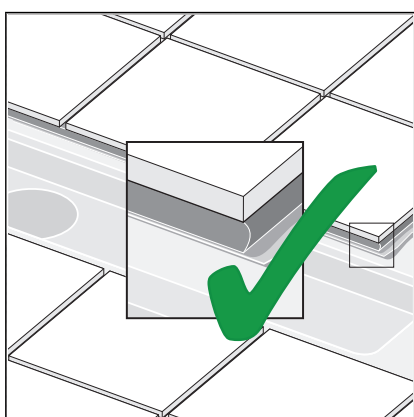
The floor can now be tiled.

Further see ↗ „*Mounting without cover trim rail*“ on page 44.

Mounting without cover trim rail



- Stick the tiles right up to the protective insert.



- Connect the tile edge onto the channel side with tile cement or joint filler.

Thus no water can get under the floor covering during showering.

INFO! To ensure that penetrating dampness in the channel area can dry off, the joint edges must be sealed with tile adhesive or joint filler. This is of particular relevance when there is a large number of joints, e. g. with mosaic tiles.

- ⇒ The shower channel is installed and the tile edge can be polished.



CAUTION!

Avoid sharp edges in the following places in the barefoot area:

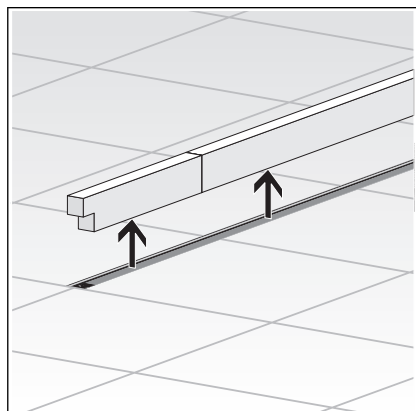
- on tiles
- on cover trims
- on cover trim profiles

Optionally, you can now insert the sieve, see [Chapter 3.2.10](#) „Inserting the sieve“ on page 45.

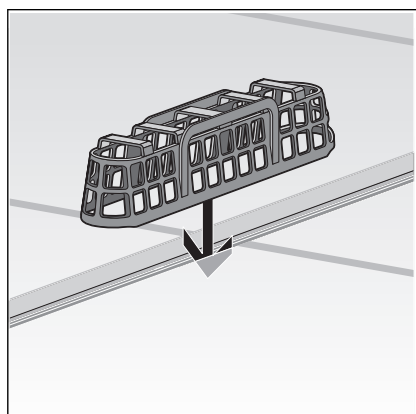
Finally, a standing grate must be mounted, see [Chapter 3.2.11](#) „Mounting the standing grate“ on page 45. See the catalogue for suitable standing grates.

3.2.10 Inserting the sieve

Optionally, a sieve can be inserted. When using the sieve, the drainage capacity drops by 0.05 l/s per drain.



➤ Remove protective insert.



➤ Insert the sieve above the drain in the channel gap.

To finish with, a standing grate must be mounted.

3.2.11 Mounting the standing grate

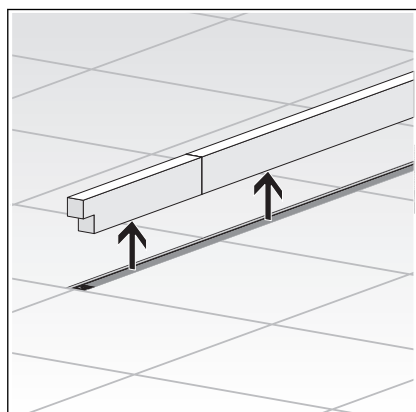
Note regarding accessories

The total length of the shower channel increases if the basic model of the Vario shower channel is extended with other parts. In this case, the relevant accessory must be mounted for every extra part.

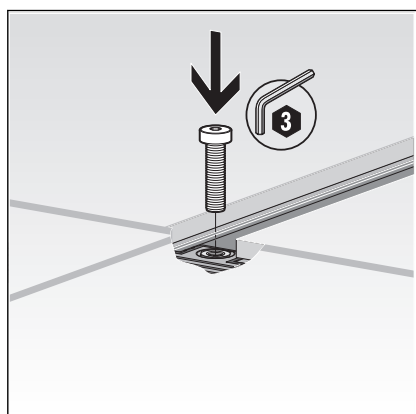
Assembly steps



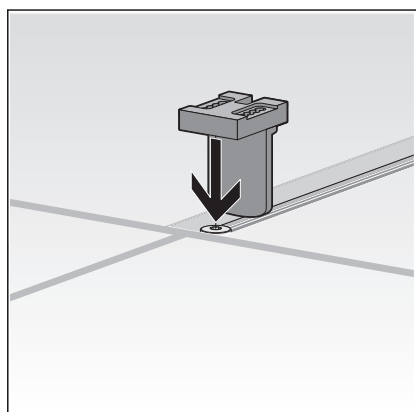
With natural stone covering, observe the correct height and use the mounting material from the accessory set for natural stone covering.



➤ Remove protective insert.



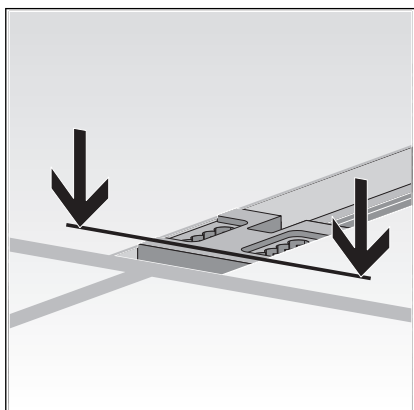
➤ Insert screws.



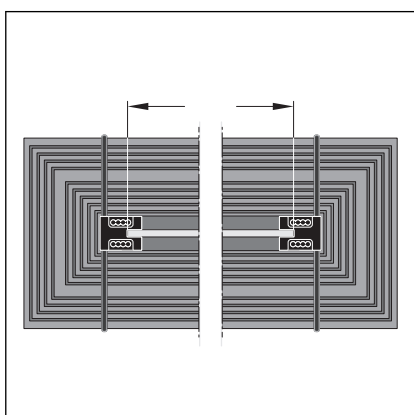
➤ Place the grate holder onto the screw and adjust to tile height.

The maximum height of the standing grate is 20 mm above the flange.

When using the natural stone set, the maximum height of the standing grate is 30 mm above the flange.

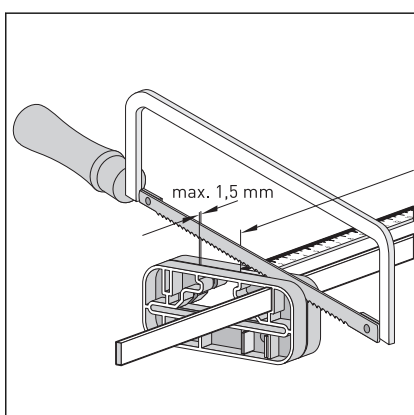


The upper edge of the grate holder must be approx. 1 mm below the upper edge of the tiles.



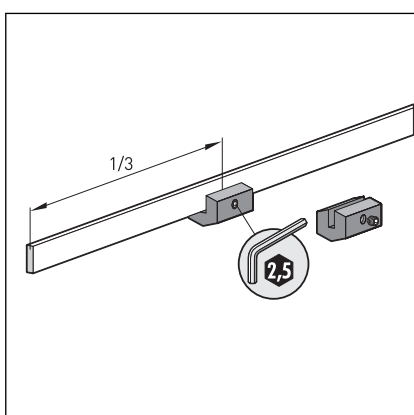
► Determine the length of the standing grate.

INFO! Use the standing grate with a length of 200 mm for end closing pieces and connection pieces 90°.



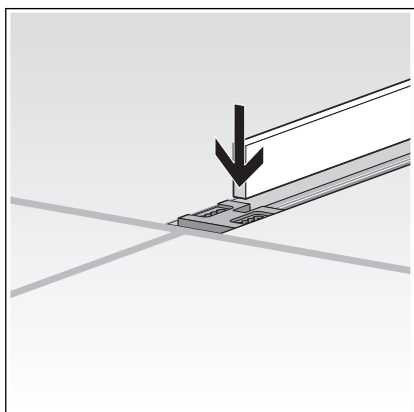
► If required, shorten the standing grate with a handsaw and deburr. Do not use a circular saw or angle grinder.

INFO! The standing grate with a length of 200 mm must not be shortened!

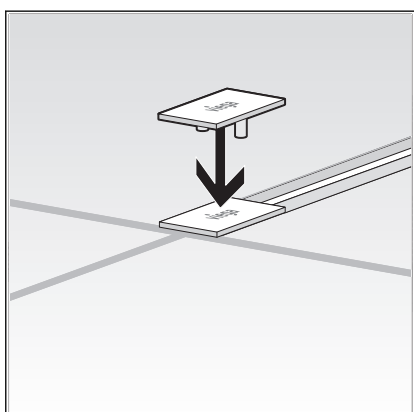


► Secure the grate supports to the standing grate.

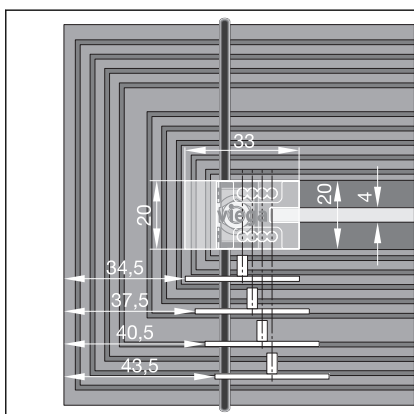
Distribute the standing grate supports in such a way that there is a grate support fitted after every one third of the grate.



► Insert the standing grate.



► Replace cover caps.



The cover caps can be moved by up to 9 mm (see fig.).

3.3 Care

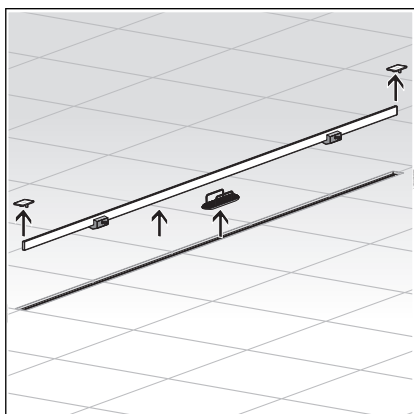
3.3.1 Care tips

Normal soap or a mild cleaning agent can be used for regular maintenance and prevention of lime scale on the grate and frame. Use no scouring agent or abrasive objects.

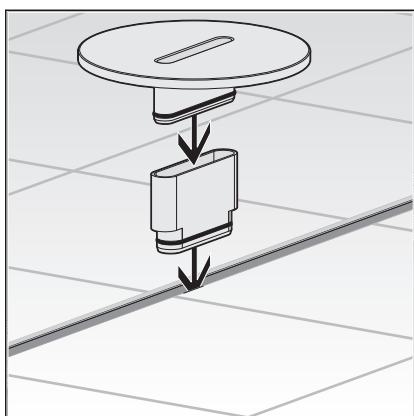
Strong stains, even around the drain unit and the siphon, can be removed using typical household cleaner. Rinse the detergent very thoroughly with clear water after the prescribed dwell time. There should be no residue on the components.

3.3.2 Cleaning

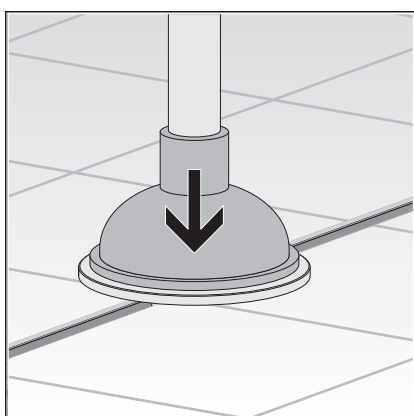
Viega recommends using a mild cleaning agent, a cloth and a washing-up brush for cleaning.



- Remove cover caps and standing grate.
If applicable, remove sieve.



- Insert cleaning device.



- Place the plunger onto the cleaning device and clean the shower channel.

- Remove the cleaning device.
- Remove the standing grate.
- Replace cover caps.

3.4 Disposal

Separate the product and packaging materials (e. g. paper, metal, plastic or non-ferrous metals) and dispose of in accordance with valid national legal requirements.