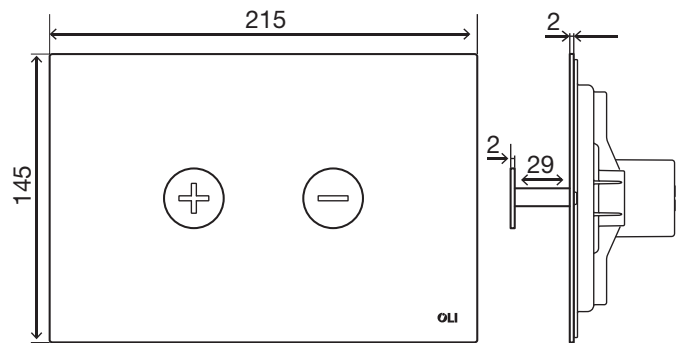
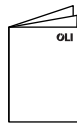
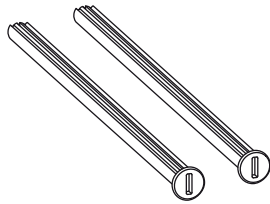
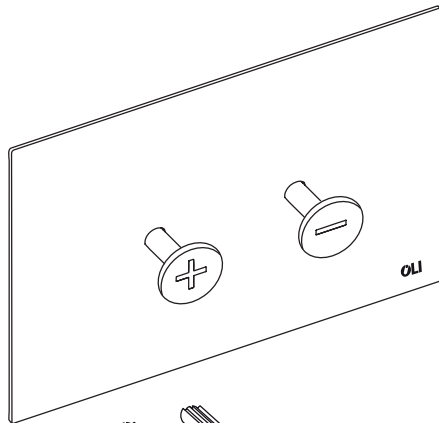
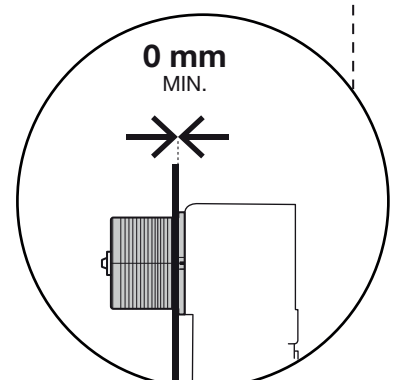
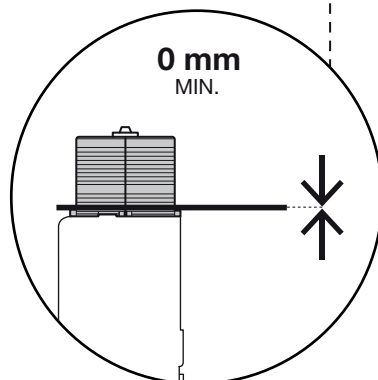
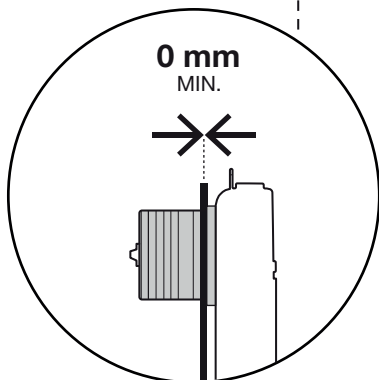
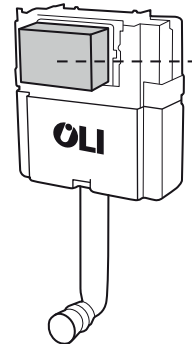


TRUMPET

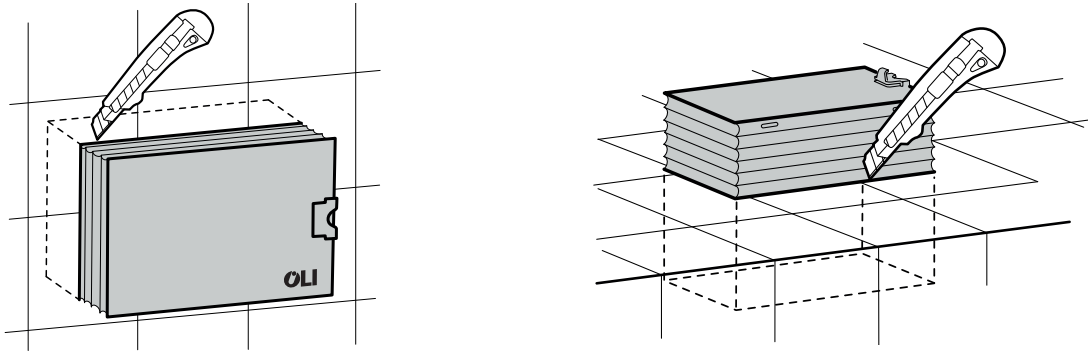
PNEUMATIC



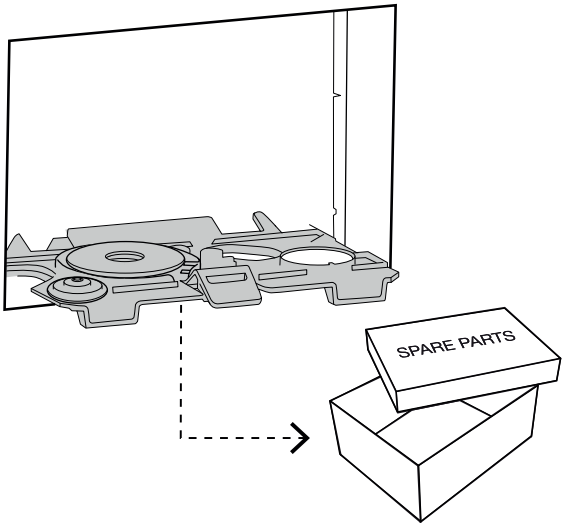
(dimensions in millimeters)



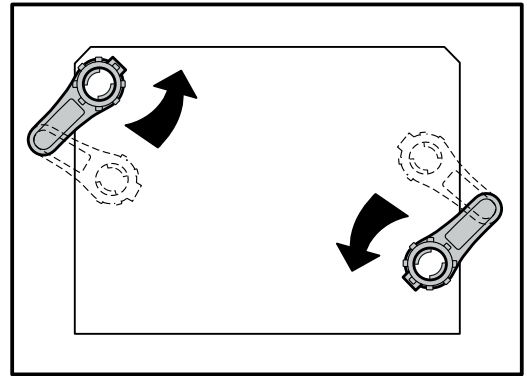
1



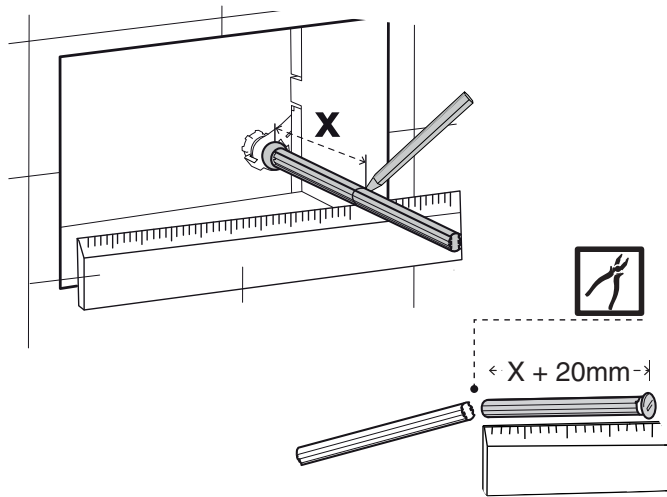
2



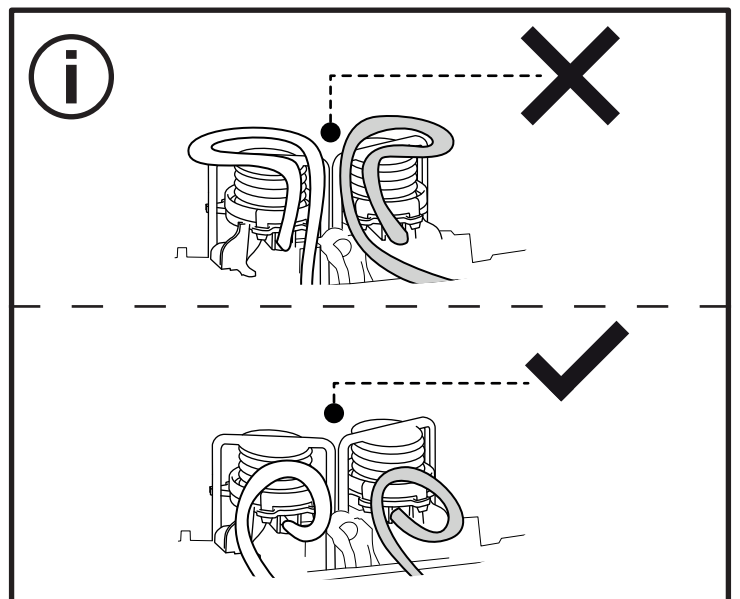
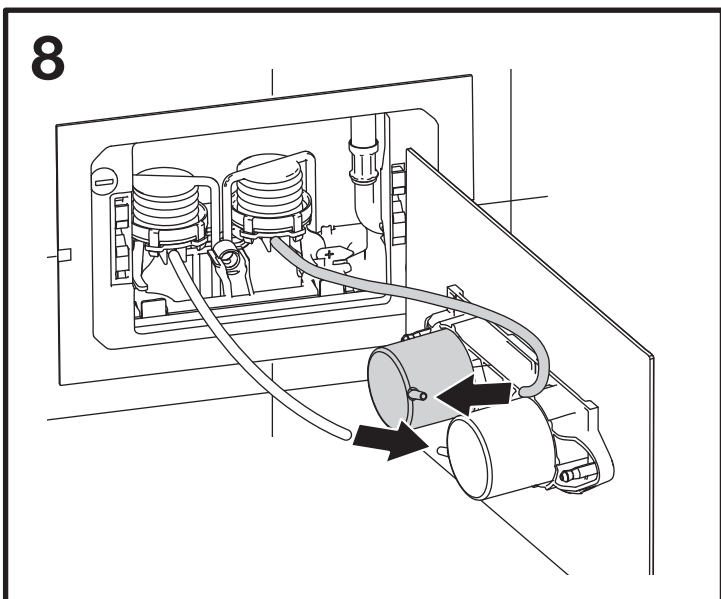
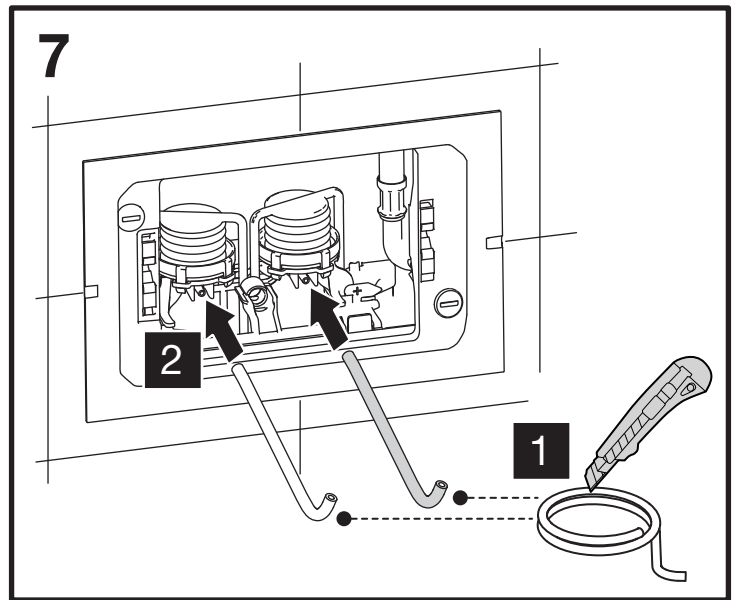
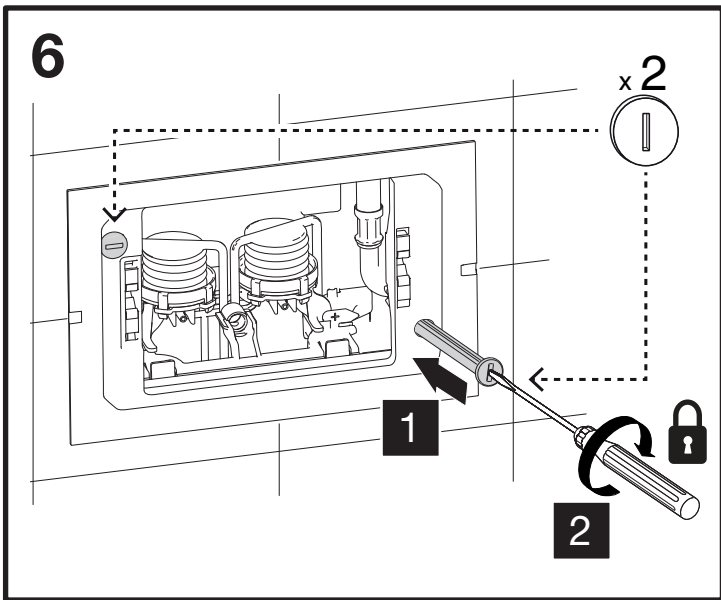
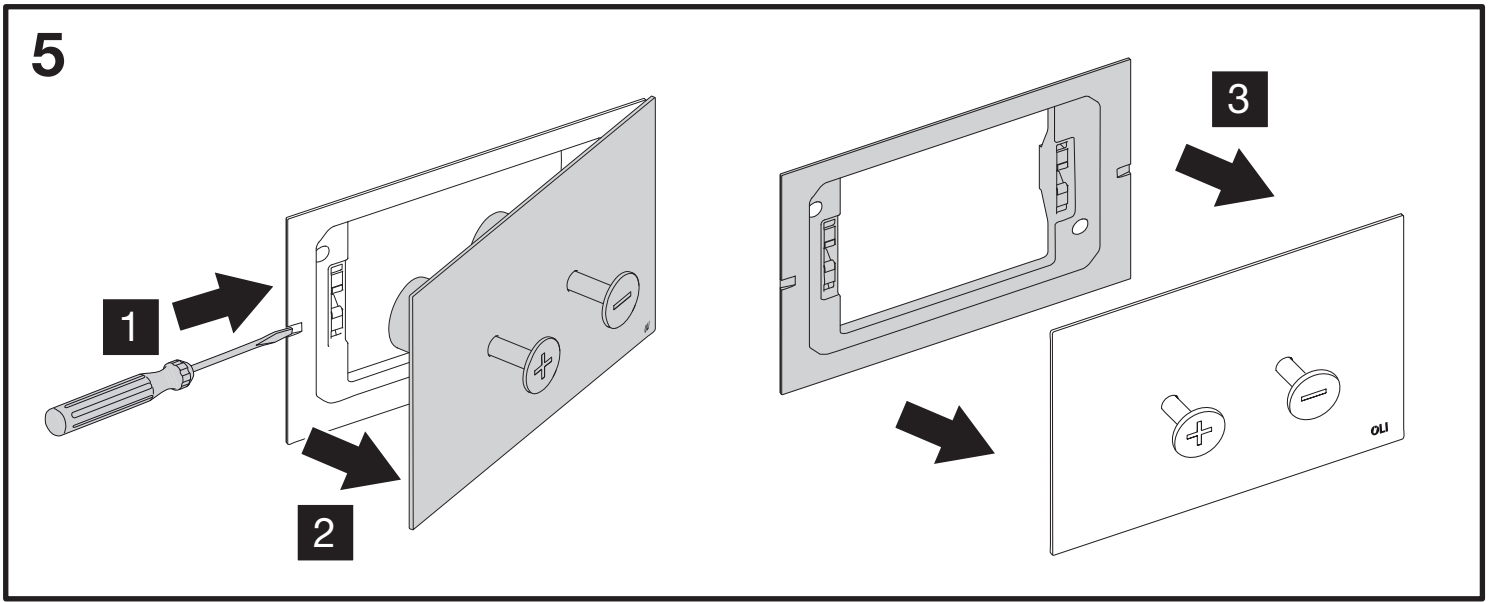
3



4



x2 



9

