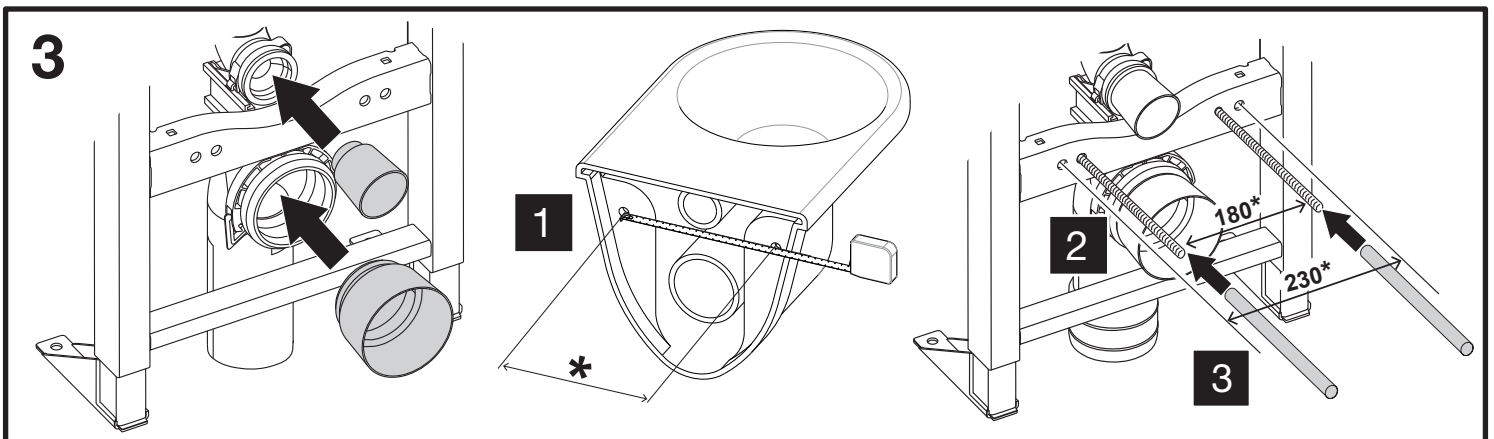
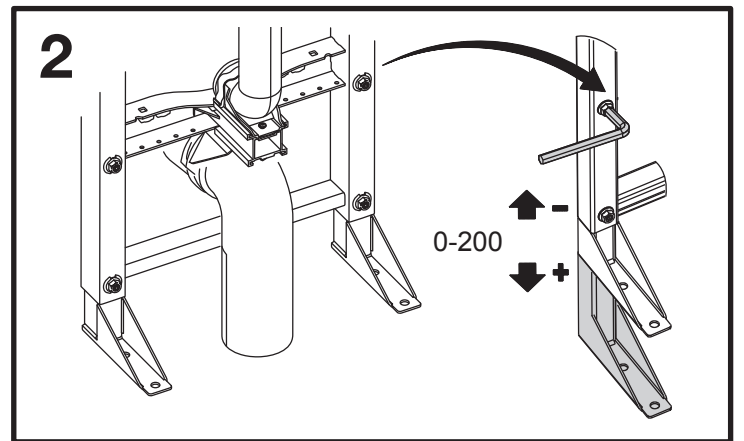
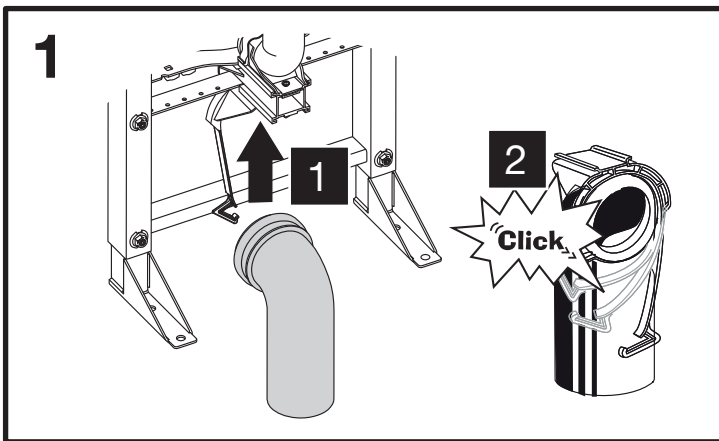
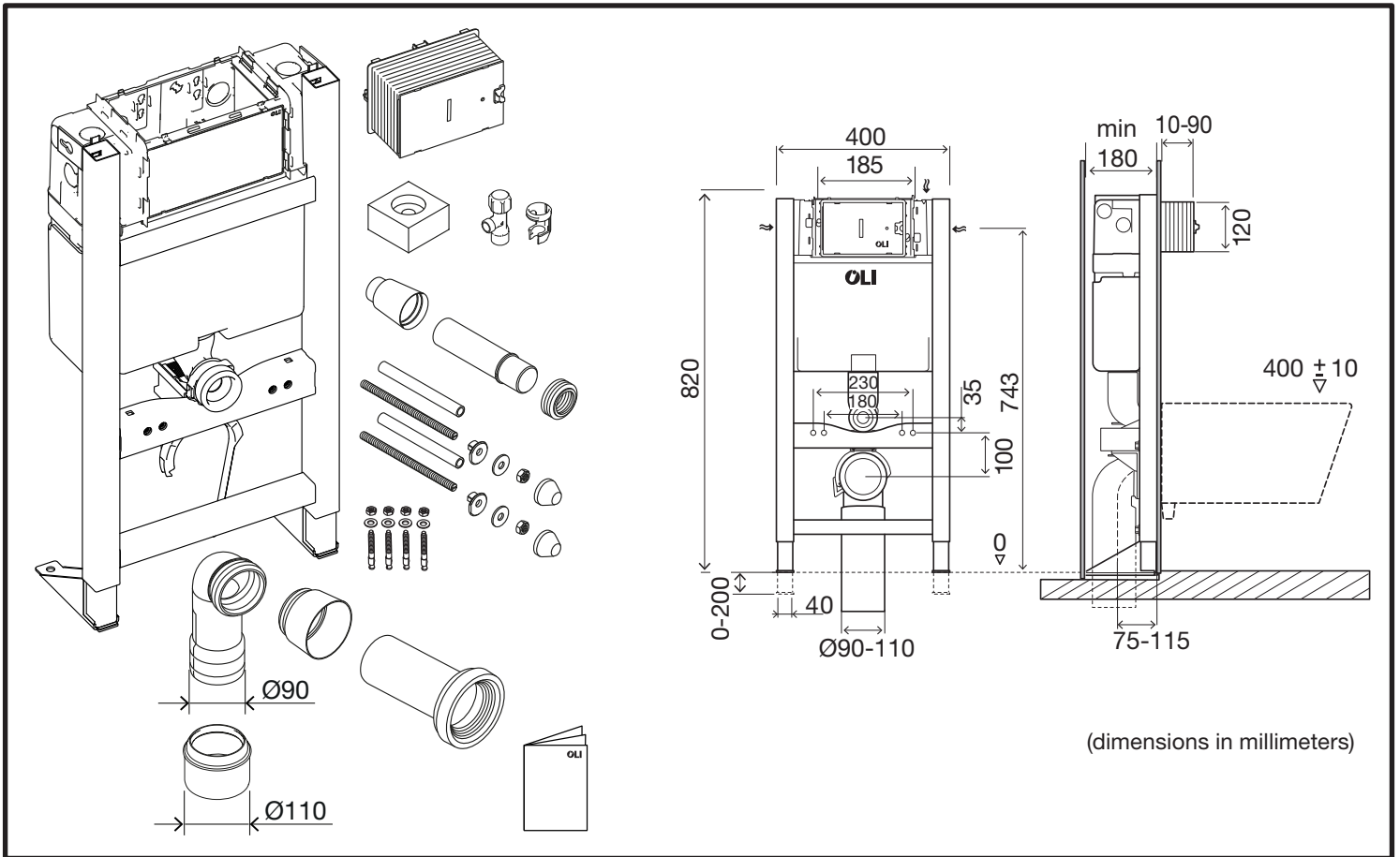
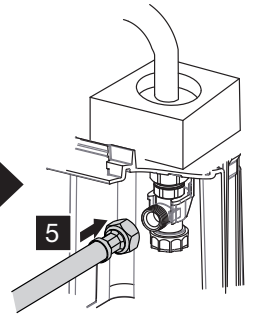
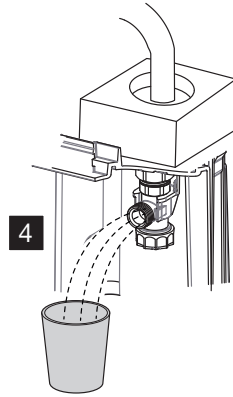
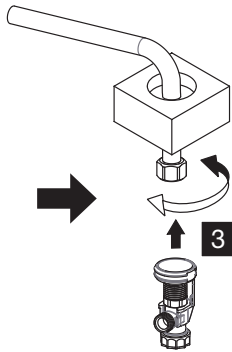
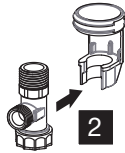
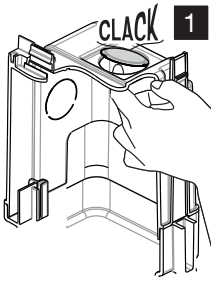
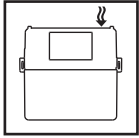


EXPERT PLUS

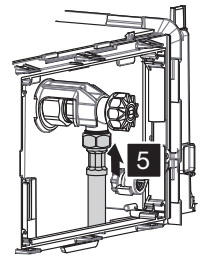
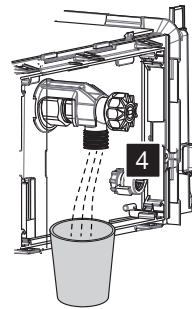
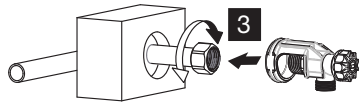
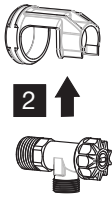
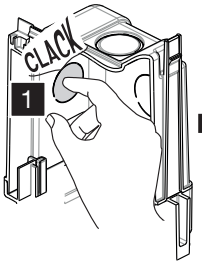
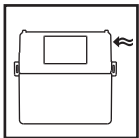
Free Standing Sanitarblock 820



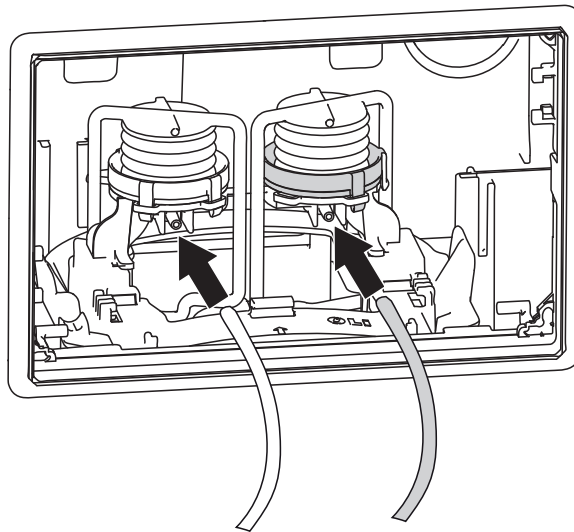
4A



4B

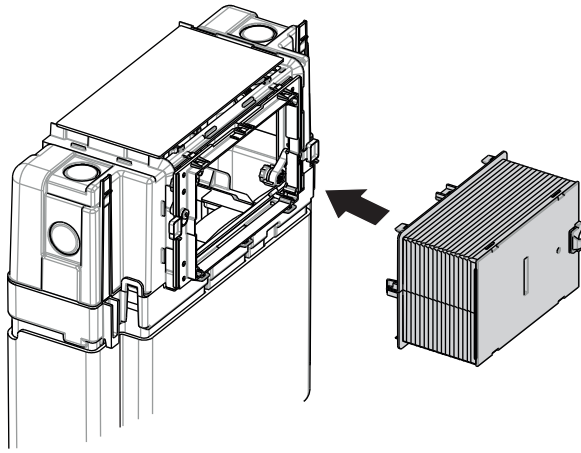


5

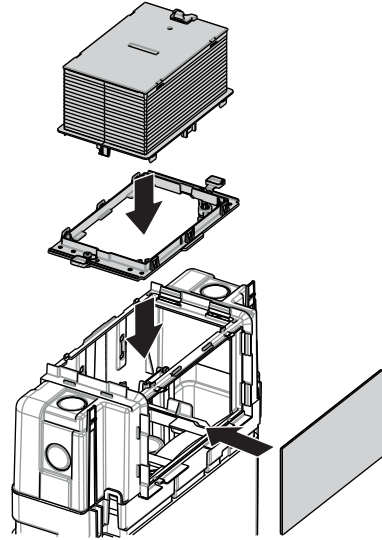


5

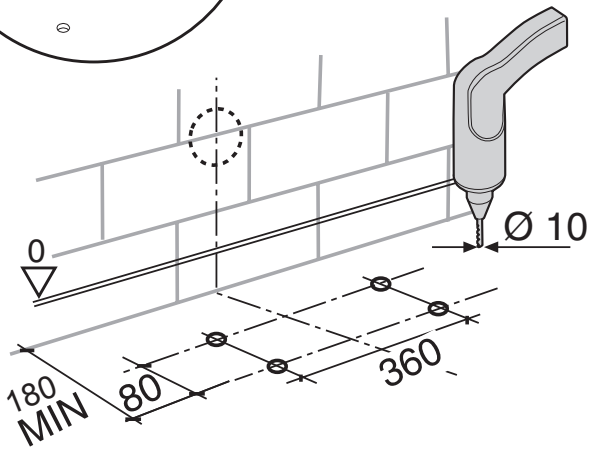
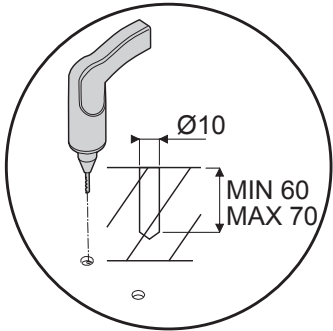
FRONT



TOP



9



10

