



HAND MIXER & BLENDER COMBO MB-31

Professional hand blender and beater. 400 W.



Built to last

- ✓ Professional performance: capable of carrying out prolonged work without the casing overheating.
- ✓ Life-plus: equipped with a motor which has passed all of the most demanding usage tests.
- ✓ Studied geometry: casing designed to avoid rolling and falling.
- ✓ Easy to clean: detachable arms, can be cleaned under the tap.
- ✓ Approved by NSF: guaranteed safety and hygiene.

INCLUDES

- ✓ Variable speed motor block.
- ✓ MA-31 mixer arm.
- ✓ Whisk BA-30.
- ✓ Wall mount.

ACCESSORIES

- Clamp sliding frame
- Mixer arms MA-30
- Bowl clamp
- Whisk BA-30

SALES DESCRIPTION

Variable speed motor block.
306 mm detachable mixer arm designed for continuous use in recipients of up to 30 litres.
Whisk with capacity for 2 to 50 egg whites.

All-in-one

- ✓ Professional hand blender and beater.
- ✓ Professional hand blender designed for carrying out different preparations without the need for add-on tools.
- ✓ Professional Y-blade, made from tempered steel and with a long-duration cutting edge.
- ✓ Vario-speed: variable speed.
- ✓ Mixer arm designed to work in recipients of up to 30 litres.
- ✓ Beater with capacity for 2 to 50 egg whites.

Maximum comfort for the user

- ✓ Compact design: logical and manageable size.
- ✓ Ergo-design & bi-mat-grip: external casing made in two materials for an ergonomic hold. Anti-slip grip. Optimum inclination of handle, minimising fatigue.
- ✓ Click-on-arm: detachable arm with fast and secure closure.
- ✓ Mixer arm hood designed to avoid splashes.
- ✓ Intuitive use: very simple operation. LED warning light in two colours to indicate the status of the machine.



SAMMIC, S.L.
Basarte, 1 - 20720 AZKOITIA
www.sammic.com

sammic | www.sammic.com
Food Service Equipment Manufacturer

Polígono Basarte, 1. phone +34 943 15 72 36
20720 Azkoitia, Spain sales@sammic.com



Project	Date
Item	Qty
Approved	

DYNAMIC PREPARATION
COMMERCIAL HAND BLENDERS - XM RANGE

product sheet
updated 15/04/2021



HAND MIXER & BLENDER COMBO MB-31

Professional hand blender and beater. 400 W.



SPECIFICATIONS

Total loading: 400 W

Liquidiser function

Maximum recipient capacity: 30 l
 Maximum working depth: 207.3 mm
 Motor speed: 1500 - 12000 rpm
 Blade diameter: 55 mm
 Blade guard diameter: 92.2 mm
 Liquidising arm length: 306 mm
 Total length: 615 mm

Whisk function

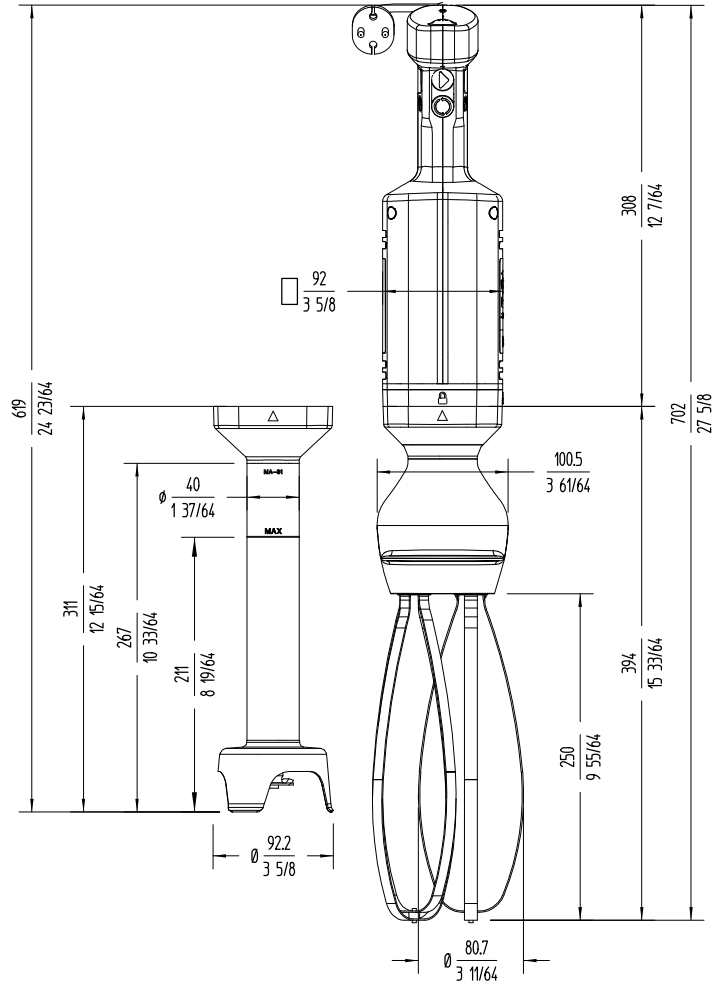
Motor speed: 200 - 1500 rpm
 Capacity (egg whites): 2 - 50
 Revolving arm length: 396 mm
 Total length (with revolving arm): 704 mm

Net weight: 4.61 Kg

Noise level (1m.): <80 dB(A)

Crated dimensions

455 x 475 x 117 mm
 Gross weight: 5.6 Kg.



AVAILABLE MODELS

3030676 Immersion blender & whisk combo MB-31 230/50-60/1

* Ask for special versions availability

sammic www.sammic.com Food Service Equipment Manufacturer Polígono Basarte, 1. phone +34 943 15 72 36 20720 Azkoitia, Spain sales@sammic.com		Project	Date
		Item	Qty
		Approved	

DYNAMIC PREPARATION
 COMMERCIAL HAND BLENDERS - XM RANGE

product sheet
 updated 15/04/2021