



MUSTER 600 SPLIT

LIST OF THE EXPLODED VIEWS

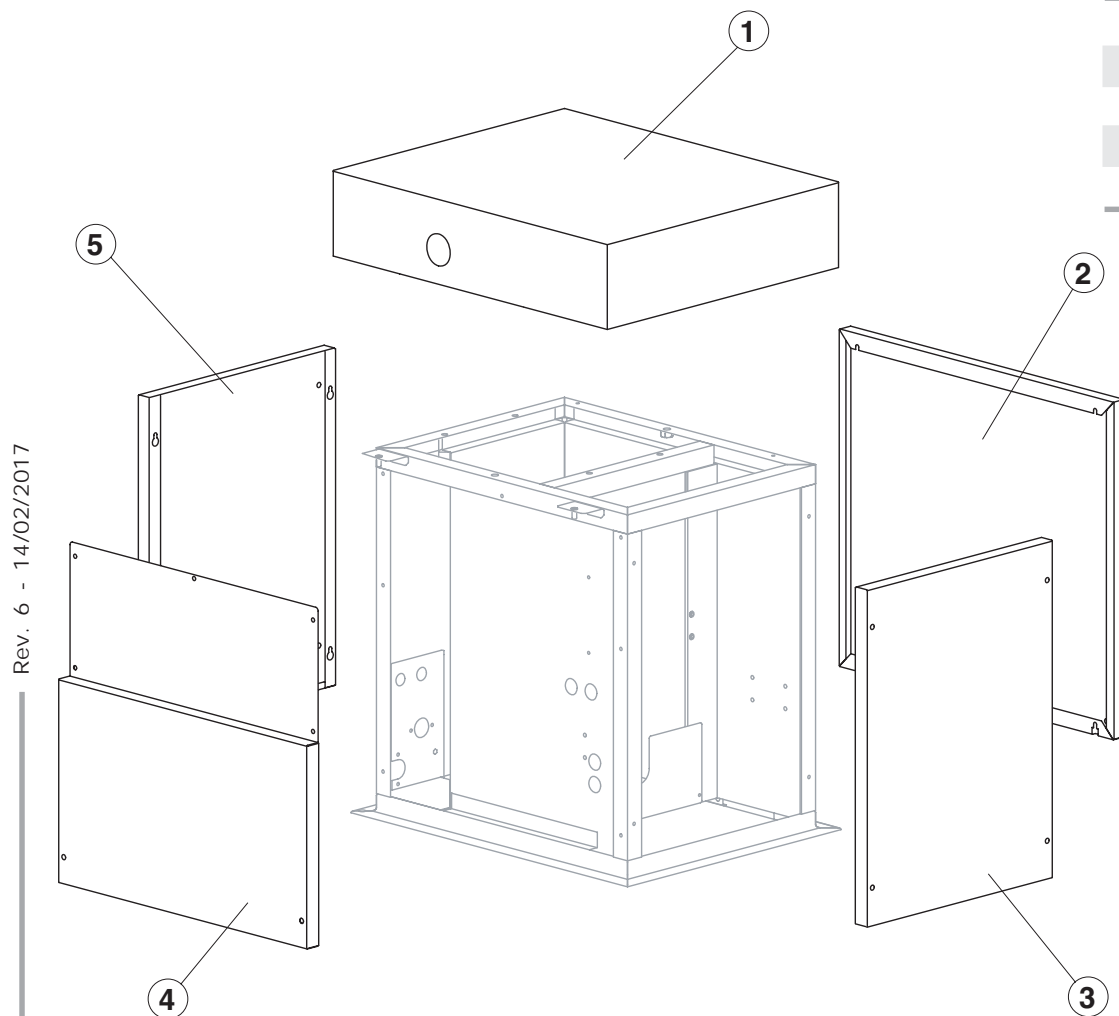


SHELL ASSY

EVAPORATOR

PUMP

ELECTRIC PARTS

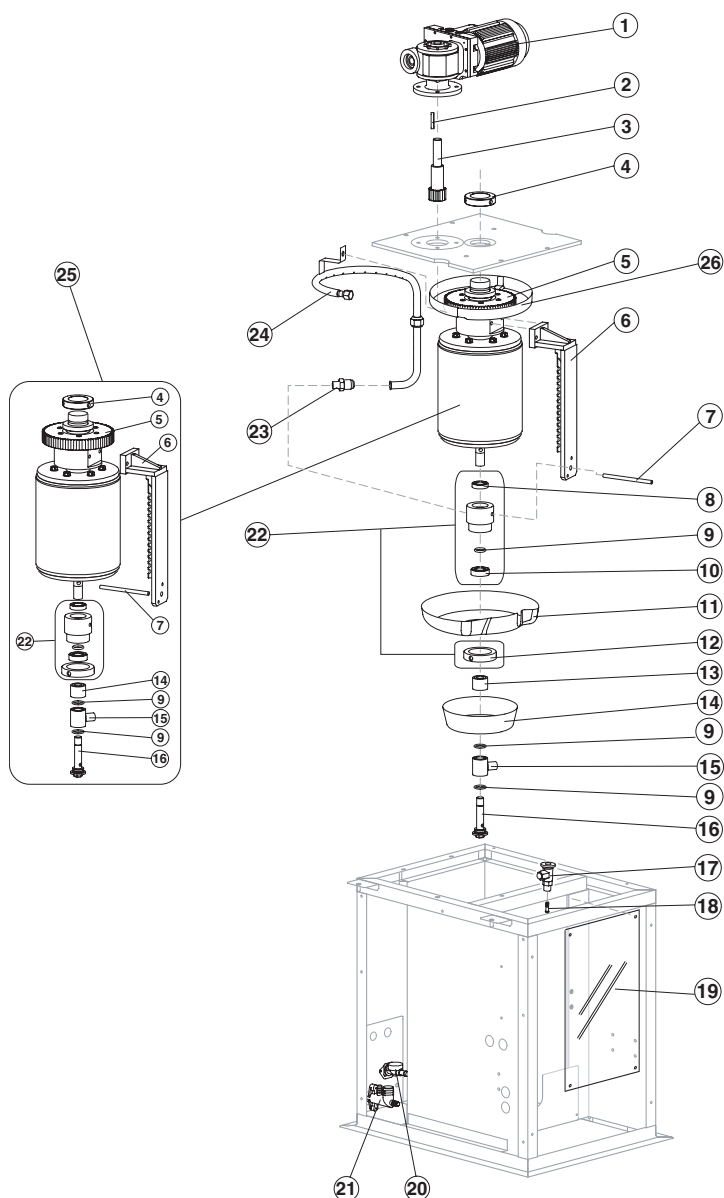


<i>Ref.</i>	<i>Spare Description</i>	<i>Code</i>
1	Top Assembly	C22990
2	Right Side Panel	22425
3	Front Panel	22469
4	Left Side Panel	22989
5	Rear Panel	22991



MUSTER 600 SPLIT

EVAPORATOR



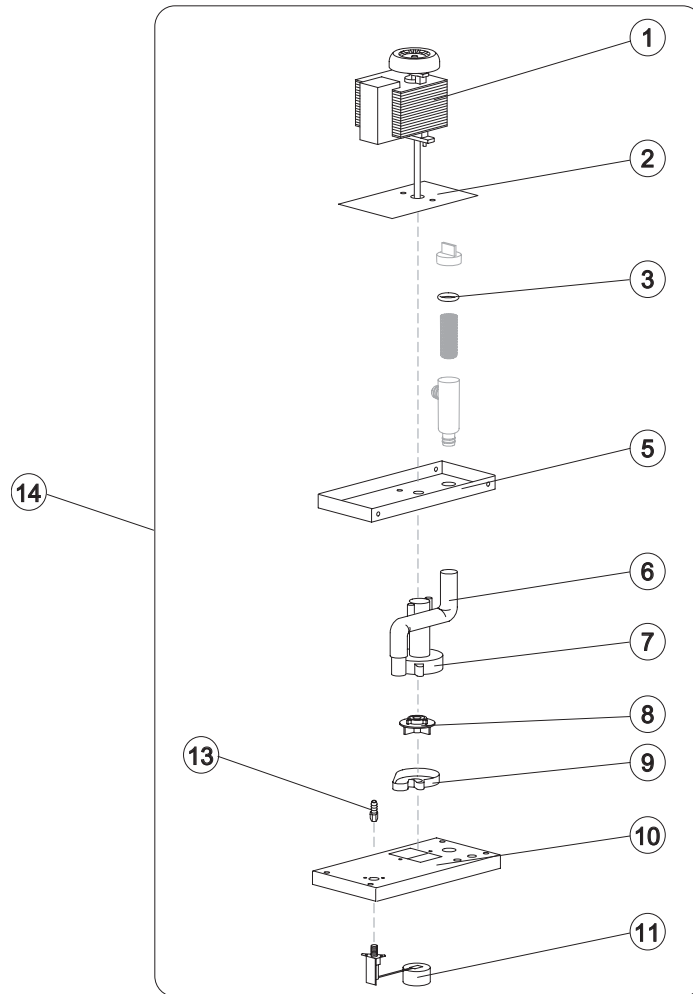
Ref.	Spare Description	Code	
1	Gearmotor Assy	C23412	
2	Key 6x6x40	20350	
3	Pinion with Shaft for Gearmotor	C20344	
4	Cylinder Locking Ring Nut	20324	
5	Ring Gear	20354	
6	Scraper	20866	
7	Tie Rod (to Block Scraper)	20865	
8	Stainless Steel Bearing	20531	
9	Silicone OR 4081 Gasket	20338	
10	Stainless Steel Bearing	20045	
11	Rotating Basin	10184	
12	Ring Nut for Rotating Ring	10182	
13	Spacer	10519	
14	Fixed Basin	C10598	
15	Water Inlet Ring	20851	
16	Screw	20849	
17	Expansion Valve	20734	
18	Orifice	Current Version	20943
18	Orifice	Till s/n. 471184	20797
19	Evaporator Chamber Shield	10522	
20	1 Way- Water Inlet Nipple	10368	
21	Discharges Manifold	10580	
22	Complete Rotating Ring	C10180	
23	Joint	20335	
24	Sprayer Ring	C20867	
25	Evaporator	C11149	
26	Ring Gear Cover	From s/n. 555325	C10629

Rev. 6 - 14/02/2017



MUSTER 600 SPLIT

PUMP



Ref.	Spare Description	Code
1	Pump Motor	R23073
2	Heat Dissipator	22430
3	Pump Filter Gasket	13080
5	Pump Motor Support	10161
6	Pump-Filter Connection Pipe	13084
7	Pump Body	10065
8	Pump Impeller	10190
9	Diffusor	10067
10	Water Pump Basin Cover	22420
11*	Floating Valve	10188
13	Connection	20799
14*	Pump and Filter Assy	C26736



MUSTER 600 SPLIT

ELECTRIC PARTS

Ref.	Spare Description	Code
1*	Contactor	23594
2	Microswitch for Ice Overflow	23746
3*	Bin Thermostat	R23005
4	Electronic delay timer	Current Version 231033
4	Electronic delay timer	from s/n. 559813 till s/n. 613509 K231033
5	Relay	from s/n. 559813 23190

Rev. 6 - 14/02/2017

