



Traditionally Innovative

***FULL***



EN – FR – DE – NL – RU – ES – IT – AR

V05-01-2017



# ***FULL***

EN- Translation of original user instructions	
Full continuous cut slicer .....	5
FR- Notice d'utilisation originale	
Trancheuse à coupe continue Full .....	17
DE- Übersetzung der Originalanleitung	
Schneidemaschine für den Dauerbetrieb Full .....	29
NL- Vertaling van de originele gebruikershandleiding	
Broodsnijmachine voor continue werking Full .....	41
RU. Перевод оригинального руководства по эксплуатации	
Хлеборезка с непрерывной нарезкой Full .....	53
ES- Traducción del manual de uso original	
Cortadora de corte continuo Full .....	65
IT- Traduzione delle informazioni sull'utilizzo originali	
Taglierina a taglio continuo Full .....	77
الأصلي الاستخدام دليل ترجمة - فرنسي	
مستمر قطع ماكينة Full .....	89



<b>1</b>	<b>BEFORE COMMISSIONING</b> .....	<b>6</b>
<b>2</b>	<b>WARRANTY</b> .....	<b>6</b>
<b>3</b>	<b>WARNINGS</b> .....	<b>7</b>
<b>4</b>	<b>TECHNICAL SPECIFICATIONS</b> .....	<b>8</b>
4.1	Technical specifications .....	8
4.2	Details of materials in direct contact with the bread .....	8
<b>5</b>	<b>INSTALLATION AND COMMISSIONING</b> .....	<b>9</b>
5.1	Unpacking the machine: .....	9
5.2	Positioning: .....	9
5.3	Electrical connection: .....	9
5.4	Commissioning: .....	10
5.5	Danger: .....	10
<b>6</b>	<b>CONTROLS AND SAFETY FEATURES</b> .....	<b>11</b>
6.1	Controls: .....	11
6.2	Work area: .....	11
6.3	Safety features: .....	11
<b>7</b>	<b>OPERATION</b> .....	<b>11</b>
<b>8</b>	<b>MAINTENANCE</b> .....	<b>12</b>
8.1	Daily, by a trained operator. ....	12
8.2	Every 25,000 loaves and/or at least once a year, by an approved agent. ....	12
8.3	Blade replacement .....	12
<b>9</b>	<b>CONSUMABLES</b> .....	<b>14</b>
9.1	List of CONSUMABLES .....	14
<b>10</b>	<b>MALFUNCTIONS</b> .....	<b>15</b>
<b>11</b>	<b>LIST OF COMPONENTS IN ILLUSTRATIONS</b> .....	<b>16</b>

---

## 1 BEFORE COMMISSIONING

---

Thank you for choosing a JAC system. It is essential that you read these instructions before installing and commissioning this machine. This will protect you and avoid damaging your machine.

These instructions refer to various illustrations in order to make them easier to understand. These illustrations are at the end of the instructions. Please refer to them whenever you see the following symbols: (fig.X, n°Y).

**To ensure that your machine gives you full satisfaction over the coming years, we invite you to familiarise yourself with the following advice:**

- Enlist the help of your approved agent for installation, commissioning and service support.
- In order to be covered by the 5-year warranty (see terms and conditions set out below), please have your dealer fill in the service booklet when your machine is being installed. The service booklet is at the back of your machine.

---

## 2 WARRANTY

---



**All JAC products are covered by a 5-year warranty.**

This warranty is valid for all parts on your machine, including electronic components but excluding consumables. The warranty takes effect on the date the equipment is installed.

**Subject to the following restrictive conditions:**

- Equipment acquired from an approved dealer;
- Installation carried out by an approved agent;
- Equipment used in accordance with the instructions for use and for the intended purpose for which it was manufactured;
- Equipment serviced on a daily basis in compliance with the instructions for use;
- Regular servicing by the approved agent in compliance with service specifications, with at least one service a year (servicing chargeable to the user).
- Exclusive use of genuine JAC parts.



**If there is no record of servicing by an approved agent and/or if the service booklet has not been filled in correctly, warranty cover will be limited to one year.**

**This warranty does not cover:**

- Replacement of consumables (§9);
- Parts not accepted as defective by our company;
- Problems due to improper use of the equipment;
- Problems due to installation not carried out by an approved agent;
- Parts or problems due to transit damage or improper handling.

**Repairing and/or replacing defective parts during the warranty period does not bring about an extension of said warranty.**

### 3 WARNINGS

---

It is most important that these user instructions be kept with the machine for any future reference. Should this machine be sold or transferred to another user, please ensure that the user instructions are handed over so that the new user can be familiarised with its operation and the warnings associated with it.



**These warnings are given for your safety and that of others. We would therefore ask you to read them carefully before installing and using the machine.**

This machine has been designed for use by authorised adults. Please therefore ensure that children do not touch it or use it as a toy.

This machine is intended exclusively for professional use.

It is dangerous to modify or attempt to modify the specifications of this machine.

After having installed this machine, please ensure that it is not standing on the power cable.

Follow the instructions given for its use.

This machine must be stored and used in an indoor room, protected from moisture and heat.

This machine must be adequately illuminated to operate it.

The noise level of this machine does not exceed 75 dB(A) in accordance with EN ISO 3744.

This machine must be used by one person at a time (unless otherwise specified).

This machine is intended for slicing baked bread which has cooled down.



**This machine is not intended for the following breads and the following materials:**

- Warm bread, stale bread.
- Frozen or partially thawed bread.
- Wholemeal breads with a hard crust and other types of bread with a hard crust.
- Rye breads.
- Non-edible products such as wood, plastic and similar materials.
- Any food that is not included in the bread and loaf cake category.

**The machine may be damaged when cutting bread or materials for which the machine is not intended.**



**Always disconnect the mains supply before cleaning the machine inside/outside and when carrying out maintenance.**

This machine is heavy. Take all necessary safety precautions when handling it.

---

## 4 TECHNICAL SPECIFICATIONS

---

### 4.1 Technical specifications

	Full 520 T2	Full 520 T3
Height (mm)	1250	1250
Height with loading ramp (optional) (mm)	1658	1658
Width (mm)	1164	844
Depth (mm)	1971	2266
Depth with loading ramp (optional) (mm)	2655	2951
Entry channel width (mm)	520	520
Entry channel height (mm)	160	160
Packaging (mm)	950 x 2160 x 1800	950 x 2410 x 1800
Net weight (kg)	365	385
Net weight + packing (kg)	400	420
Motor power rating (kW)	1.1	1.1
Motor type	Single-phase or three-phase	Single-phase or three-phase
220 V - 50 Hz (A)	5	5
380 V - 50 Hz (A)	3.2	3.2
Capacity (loaves/hour)	200<500	200<500
Noise level (dB)	<75	<75

Loading ramp	optional
Special blades	optional

### 4.2 Details of materials in direct contact with the bread.

**Loading ramp:** STAINLESS STEEL 430

**Last loaf pusher:** STAINLESS STEEL 430

**Loaf holder:** STAINLESS STEEL 430

**Blades:** Steel

**Bread transfer belt:** PVC

**T3 outfeed belt:** Polyurethane

**Outfeed table:** STAINLESS STEEL 430



### 5.1 Unpacking the machine:

Machines are delivered from our works on pallets, strapped and protected with a wooden crate. First of all, the packaging must be examined and any damage caused in transit must be declared directly to the carrier.

- A. Remove the wooden crate and the packaging bag from the machine. If your machine is equipped with a loading ramp (optional), remove it from on top of the machine and unpack it.
- B. Remove straps, taking particular care when they are released by cutting.
- C. Detach the machine from its pallet by removing the wooden battens wedging the castors.
- D. Take the machine off the pallet. Make sure you do this with at least two people in order to lower it as gently as possible onto the floor.
- E. Please fit the adjustable bagger stop to the bagger (fig.11, n°34).
- F. Fit the (optional) loading ramp if the machine is equipped with one (fig.12).

**After unpacking your machine, check that it has not been damaged in transit. Notify us of any defects.**

### 5.2 Positioning:

In order to achieve excellent performance and long-term reliability, choose a location that is:

Well ventilated, shielded from direct sunlight and away from sources of heat, with a flat and sturdy surface free from vibration.

### 5.3 Electrical connection:

**IMPORTANT:** This machine must be earthed.

It is recommended that the system be protected with a fuse and an RCD.

Your mains electricity supply to the machine must be protected as indicated below:

- North America: 15 A protection;
- Rest of the world: 16 A protection.

For machines equipped with a variable speed drive, it is imperative that they be connected to a junction box on a circuit fitted with a 300 mA RCD.

Note: Any problem resulting from any other type of connection will not be covered under warranty.

Before connecting your machine to the mains supply and in order to prevent the motor from burning out when it is switched on, it is important to check that the mains supply matches the machine specification (see machine nameplate).

This machine complies with Machinery Directives 2006/42, 2006/95, 2004/108 and is CE marked as proof of this.

Please familiarise yourself with the safety pictograms displayed on the machine:



This pictogram indicates a cut hazard. You will find it at the front and at the rear of the machine around the loaf positioning and recovery areas (fig.10, n°31).



This pictogram indicates an electrocution hazard. Please isolate the machine before carrying out any work on it. You will find it at the back of the machine close to the power cable and inside the machine on the electrical enclosure (fig.10, n°32).

You will find the circuit diagram for the machine on the electrical enclosure door (fig.10, n°33).

#### **5.4 Commissioning:**

Before commissioning, ensure that there are no extraneous objects interfering with the machine's moving parts.

For machine operation, please refer to the "Operation" chapter.

#### **5.5 Danger:**

If the user or the machine is in danger, you must use the main isolator switch to cut the power supply to the machine (fig.4, n°23,25).

Remove the plug from the power socket before any maintenance and/or servicing work. Do not touch the blades, even if they are stationary.

To replace the blades, have the work done by your approved dealer.

Always wear cut-resistant gloves when replacing the blades or when working in the vicinity of the blades.

Any maintenance work or replacement of parts must be carried out by a qualified individual.

---

## 6 CONTROLS AND SAFETY FEATURES

---

### 6.1 Controls:

Your slicer is fitted as standard with the following controls:

- A start button that operates the movement of the blades and the movement of the transfer belt (fig.4, n°29).
- A stop button (fig.4, n°28).
- Two emergency stop buttons (fig.4, n°23,25).
- A belt transfer speed setting potentiometer (fig.4, n°30).
- A start and stop button for the blower-bagger (FLD) (fig.4, n°27).
- Two buttons to set top transfer belt height (fig.4, n°26).
- A slicing time meter (fig.4, n°24).
- A lever that clears the last loaf from the blades (fig.4, n°21).
- A side guide setting crank (fig.4, n°20).
- A transfer belt reverse button (fig.4, n°22).

### 6.2 Work area:

The loading area is at the rear of the machine (fig.3, n°16).

The setting area is located on the front left-hand side of the machine (fig.3, n°17,18).

The delivery area is at the front of the machine (fig.3, n°18).

### 6.3 Safety features:

This machine is equipped with:

**Two emergency stops that shut down the machine when pressed** (fig.4, n°23,25).

**An encoded magnetic sensor located on the front door that stops the machine when the door is open** (fig.13, n°35).

---

## 7 OPERATION

---

Braked castors must be locked while the machine is in operation (fig.1, n°6).

**Switch on the power to the machine at the start of the day using the emergency stops** (fig.4, n°23,25).

### Operating procedure (fig.5,6)

- A. Set the loading ramp guides using the thumbscrews (optional), set the infeed belt guides using the setting crank located on the left-hand side to adjust them to the length of the loaves to be sliced and set the outfeed belt guides if your machine is fitted with a motorised outfeed belt (FMD).
- B. Set the loaf holder using the buttons (fig.4, n°26) to adjust it to the height of the loaves to be sliced.
- C. Load the loaves onto the loading ramp (optional) or onto the infeed belt.
- D. Press the green button to start the machine; the blades will start up and the belts will start moving. Set the belt travel speed using the potentiometer (fig.4, n°30).
- E. When the last loaf goes into the blades, operate the last loaf pusher lever to push it out of the blades. Collect the loaves on the outfeed table (FLD) or on the outfeed belt (FMD).

Press the white button to operate the blower (fig.7) (FLD).

At the end of the day, press one of the red **emergency stop** buttons (fig.4, n°25) to switch the power off to the machine.

**Tip:** Have a qualified individual check blade tension after the first few days of operation.

**Capacity:** Number of loaves sliced per hour: 1,000 (depending on the type of bread).

Max. loaf size (L x H) (cm): 52 x 16

Min. loaf size (L x H) (cm): 12 x 6

---

## **8 MAINTENANCE**

---

### **8.1 Daily, by a trained operator.**

- A. Check whether you need to empty the crumb trays.
- B. Clean the table and the ramp using a brush.
- C. Use a dry cloth to clean the inside.
- D. Use a damp cloth to clean the outside.
- E. Clean the belts with a damp cloth.

### **8.2 Every 25,000 loaves and/or at least once a year, by an approved agent.**

- A. Remove the plug from the socket.
- B. Check the condition of the cutting blades.
- C. If you notice a deterioration in cutting quality, the cutting blades must be replaced (JAC part number: 6110019 in the JAC Spare Parts catalogue).
- D. If the blades need to be replaced, do so in accordance with the blade replacement procedure (§8.3).

NB: Do not overtighten the blades, as this risks distorting the frames.

- E. Sweep and vacuum the inside of the machine.
- F. Check bearing condition, then lubricate them.

Check that your approved agent has recorded his work in your service booklet in order to maintain your 5-year warranty cover.

### **8.3 Blade replacement.**

(fig.8,9)

Always wear cut-resistant gloves (EN 388:2003 version B= 5) and safety footwear when replacing blades or when working in the vicinity of blades.

Having ensured that the plug on your machine has been disconnected from the mains:

- A. Remove the screw securing the bagger. Repeat this on machines with two baggers (FMD).
- B. Remove the 2 screws securing the cover.
- C. Open the cover. Remove the 4 screws securing the front table (FLD). If your machine is fitted with an outfeed belt (FMD), remove the 8 screws securing the belt.
- D. Remove the table (FLD) or the outfeed belt and disconnect its connection (FMD).
- E. On the upper part of the front frame, remove screws **A**, which secure the frame to the polypropylene strips (never remove the strips from the frame, as you risk altering factory settings).

- F. Lay the frame down forwards. Replace the blades on the rear frame (place something to protect yourself on the front frame blades). Remove the locknuts on the screws **B**. Remove the blade-tightening Allen screws **B**. Replace the blades, checking that they locate correctly in the swing arm pins. Retighten the blades by tightening screws **B**, using the blades remaining on the frame as a reference. Then tighten the nuts (machine fitted with lubrication option).

**In order not to distort the frame and avoid the risk of dangerous breakages, only replace 1 to 3 blades at a time alternating from left to right.**

Resume the procedure from point F for the front frame and refit the front frame and the cover sections. When reassembling, be sure to check that the front table slides under the rear table at the blades.

Connect your machine to the mains supply; it is now ready.

Check that your approved agent has recorded his work in your service booklet in order to maintain your 5-year warranty cover.

---

## 9 CONSUMABLES

---

When ordering spare parts, check with your approved agent which part is required based on the spare parts catalogue issued by the manufacturer.  
Always quote the machine serial number shown on the nameplate.  
Your agent will place the orders with JAC.

### 9.1 List of CONSUMABLES

ITEM CODE	DESCRIPTION	MODEL
7240032	BELT	ALL
5690020	FRAME STRIP	ALL
6110019	JAC KNIFE, 13 MM/0.7 MM	ALL
7250005	LOWER TOOTHED BELT	ALL
7250006	UPPER TOOTHED BELT	ALL
7250014	SMOOTH OUTFEED BELT	FULL 520 T3

## 10 MALFUNCTIONS

Problem	Check
<b>The machine is not running</b>	Connect the machine using the cable.
	Unlock the emergency stop (fig.4, n°23,25).
	Contact your approved agent if the green indicator light is flashing.
	Close the front door.
<b>The machine is running, but the loaves are damaged or cut unevenly</b>	Check whether the blades need replacing (§8.3).
	Leave the bread to cool down for a few hours.
	Feed in a loaf of the specified size.
	Feed in a loaf that is sufficiently firm. If the blades are misaligned, adjust the blades and frames.
<b>The bread vibrates between the blades</b>	If the blades are misaligned, adjust the blades and frames.
<b>The bread is cut too slowly</b>	Check whether the blades need replacing (§8.3).
<b>The bread tears</b>	If the blades are misaligned, adjust the blades and frames.
	Check whether the blades need replacing (§8.3).
	Contact your approved agent if the green indicator light is flashing.
<b>The bread emerges very slowly or remains between the blades</b>	Check that the last loaf pusher lever is operating correctly.
<b>The bread is squashed coming out of the blades</b>	Check that the last loaf pusher lever is operating correctly.

**WARNING:** The machine must be isolated from the power supply before attempting any work on it.



**Should the problem persist, please contact your technician.**

## 11 LIST OF COMPONENTS IN ILLUSTRATIONS

Figure	Item	Description
1	1	Control panel
	2	Bagger
	3	Bagger-blower
	4	Outfeed table
	5	Crumb tray
	6	Braked castors
	7	Loading guide setting thumbscrew
	8	Loading ramp
	9	Loading guides
	10	Motorised belt
	11	Belt loading guide
	12	Electrical enclosure access panel
2	13	Motorised outfeed belt
	14	Outfeed belt guide
	15	Outfeed belt guide setting thumbscrew
3	16	Loading area
	17	Setting area
	18	Setting and unloading area
4	19	Loading guide setting thumbscrew
	20	Internal guide setting crank
	21	Last loaf pusher lever
	22	Belt reversing buttons
	23	Emergency stop button
	24	Cut counter
	25	Emergency stop button
	26	Loaf holder setting buttons
	27	Blower-bagger start button
	28	Stop button
	29	Start button
30	Belt speed setting potentiometer	
10	31	"Cut hazard" sign
	32	"Electrocution hazard" sign
	33	Circuit diagram
11	34	Bagger adjustable stop
13	35	Encoded magnetic safety cut-out



<b>1</b>	<b>AVANT LA MISE EN SERVICE .....</b>	<b>18</b>
<b>2</b>	<b>GARANTIE .....</b>	<b>18</b>
<b>3</b>	<b>AVERTISSEMENTS.....</b>	<b>19</b>
<b>4</b>	<b>CARACTERISTIQUES TECHNIQUES .....</b>	<b>20</b>
4.1	Caractéristiques techniques .....	20
4.2	Détail des matériaux en contact direct avec le pain .....	20
<b>5</b>	<b>INSTALLATION ET MISE EN SERVICE .....</b>	<b>21</b>
5.1	Déconditionnement de la machine .....	21
5.2	Emplacement .....	21
5.3	Raccordement électrique.....	21
5.4	Mise en service .....	22
5.5	Danger .....	22
<b>6</b>	<b>ORGANE DE COMMANDE ET DE SECURITE.....</b>	<b>23</b>
6.1	Organe de commande.....	23
6.2	Zone de travail .....	23
6.3	Organes de sécurité .....	23
<b>7</b>	<b>UTILISATION .....</b>	<b>23</b>
<b>8</b>	<b>ENTRETIEN.....</b>	<b>24</b>
8.1	Journalier par un utilisateur formé .....	24
8.2	Toutes les 25 000 coupes et/ou 1 fois par an au minimum, par un agent agréé .....	24
8.3	Changement des lames .....	24
<b>9</b>	<b>CONSOMMABLES.....</b>	<b>26</b>
9.1	Liste des CONSOMMABLES.....	26
<b>10</b>	<b>INCIDENTS DE FONCTIONNEMENT.....</b>	<b>27</b>
<b>11</b>	<b>LISTE DES COMPOSANTS SUR LES FIGURES .....</b>	<b>28</b>

---

## 1 AVANT LA MISE EN SERVICE

---

Merci d'avoir choisi une solution JAC. Veuillez impérativement lire ce mode d'emploi avant d'installer et de mettre en service cette machine. Vous pourrez ainsi vous protéger et éviter de détériorer votre machine.

Cette notice fait référence à différentes figures afin de faciliter la compréhension des instructions. Ces figures se trouvent en fin de notice. Veuillez vous y référer dès que vous rencontrez les symboles suivants (fig.x, n°y).

**Pour que votre machine vous donne entière satisfaction au cours des prochaines années, nous vous invitons à prendre connaissance des conseils suivants :**

- Faites-vous aider par votre agent agréé pour l'installation, la mise en service et le suivi.
- Afin de pouvoir bénéficier de la garantie de 5 ans (voir conditions reprises ci-après), faites compléter le carnet d'entretien par votre distributeur lors de l'installation de votre machine. Ce carnet d'entretien se trouve à l'arrière de votre machine.

---

## 2 GARANTIE

---



**JAC offre une garantie de 5 ans sur tous ses produits.**

Cette garantie est valable sur toutes les pièces de votre machine, pièces électroniques incluses, hors consommables. La garantie prend effet à la date d'installation du matériel.

**Sous les conditions restrictives suivantes :**

- matériel acquis auprès d'un revendeur agréé ;
- installation effectuée par un agent agréé ;
- utilisation du matériel conformément aux indications du mode d'emploi et dans le but pour lequel il a été fabriqué ;
- matériel quotidiennement entretenu conformément aux indications du mode d'emploi ;
- entretiens suivis par l'agent agréé conformément aux spécifications d'entretien avec, au minimum, un entretien par an (entretien à charge de l'utilisateur) ;
- utilisation exclusive des pièces d'origine JAC.



**S'il n'y a pas de suivi d'entretien par un agent agréé et/ou que le carnet d'entretien n'est pas correctement complété, la garantie se limite à un an.**

**Cette garantie ne couvre pas :**

- le remplacement des consommables (§9) ;
- les pièces non reconnues défectueuses par nos services ;
- les problèmes résultant d'une utilisation anormale du matériel ;
- les problèmes résultant d'une installation non effectuée par un agent agréé ;
- les pièces ou les problèmes résultant d'un dégât de transport ou d'une manutention inappropriée.

**Une réparation et/ou un remplacement de pièces défectueuses effectué(es) durant la période de garantie n'a (n'ont) pas pour effet de prolonger ladite garantie.**

### 3 AVERTISSEMENTS

---

Il est très important que cette notice d'utilisation soit conservée avec l'appareil pour toute future consultation. Si cet appareil devait être vendu ou transféré à une autre personne, assurez-vous que la notice d'utilisation soit remise de façon à ce que l'utilisateur puisse être informé de son fonctionnement et des avertissements s'y rapportant.



**Ces avertissements sont donnés pour votre sécurité et pour celle d'autrui. Nous vous prions donc de bien vouloir les lire attentivement avant d'installer et d'utiliser l'appareil.**

Cette machine a été conçue pour être utilisée par des adultes autorisés. Veuillez donc à ce que les enfants n'y touchent pas ou qu'ils ne l'utilisent pas comme un jouet.

Cette machine est exclusivement réservée à un usage professionnel.

Il est dangereux de modifier ou d'essayer de modifier les caractéristiques de cette machine.

Après l'installation de cette machine, assurez-vous qu'elle ne repose pas sur le câble d'alimentation.

Suivez les instructions données pour l'utilisation.

Cette machine doit être stockée et utilisée à l'intérieur, dans un local à l'abri de l'humidité et de la chaleur.

Cette machine doit être suffisamment éclairée pour effectuer le travail.

Cette machine a un niveau sonore inférieur à 75 dB(A), suivant la norme EN ISO 3744.

Cette machine doit être utilisée par une seule personne à la fois (sauf prescription contraire).

Cette machine est destinée au tranchage de pains cuits et tempérés.



**Cette machine n'est pas destinée aux pains et matériaux suivants :**

- pains chauds, pains rassis ;
- pains congelés, ou partiellement décongelés ;
- pains complets avec une croûte dure et d'autres types de pain avec une croûte dure ;
- pains de seigle ;
- produits non comestibles comme le bois, le plastique et matériaux similaires ;
- tout aliment qui ne fait pas partie de la catégorie des pains ou des cakes.

**La machine peut être endommagée lors de la coupe de pains ou matériaux non autorisés.**



**Toujours débrancher la prise de courant avant de procéder au nettoyage intérieur/extérieur de l'appareil et aux opérations de maintenance.**

Cet appareil est lourd. Prenez toutes les précautions de sécurité lors de sa manutention.

## 4 CARACTERISTIQUES TECHNIQUES

### 4.1 Caractéristiques techniques

	Full 520 T2	Full 520 T3
Hauteur (mm)	1250	1250
Hauteur avec rampe de chargement (option) (mm)	1658	1658
Largeur (mm)	1164	844
Profondeur (mm)	1971	2266
Profondeur avec rampe de chargement (option) (mm)	2655	2951
Largeur du canal d'entrée (mm)	520	520
Hauteur du canal d'entrée (mm)	160	160
Colisage (mm)	950 x 2160 x 1800	950 x 2410 x 1800
Poids net (kg)	365	385
Poids NET + emballage (kg)	400	420
Puissance moteur (kW)	1,1	1,1
Type moteur	Monophasé ou triphasé	Monophasé ou triphasé
220v - 50Hz (A)	5	5
380v - 50Hz (A)	3,2	3,2
Capacité (pains/heure)	200<500	200<500
Niveau sonore (dB)	<75	<75

Rampe de chargement	option
Couteaux spéciaux	option

### 4.2 Détail des matériaux en contact direct avec le pain

**Rampe de chargement** : INOX 430

**Pousse dernier pain** : INOX 430

**Presse-pains** : INOX 430

**Lames** : Acier

**Tapis d'entraînement du pain** : PVC

**Tapis de sortie T3** : Polyuréthane

**Table de sortie** : INOX 430

### 5.1 Déconditionnement de la machine

Les machines sont livrées, sorties de nos ateliers, sur palettes, sanglées et protégées par une caisse en bois. Avant toute chose, l'emballage doit être observé et tout dommage dû au transport doit être déclaré directement au livreur.

- A. Démonter la caisse en bois ainsi que le sachet d'emballage de la machine. Si votre machine est équipée d'une rampe de chargement (option), la retirer du dessus de la machine et la déballer.
- B. Enlever les sangles en faisant particulièrement attention à la détente de ces dernières lors de leur sectionnement.
- C. Désolidariser la machine de sa palette en enlevant les lattes de bois qui bloquent les roulettes.
- D. Descendre la machine de la palette. Veiller à faire cette manipulation à au moins deux personnes afin d'amortir au mieux le contact avec le sol.
- E. Mettre en place la butée réglable d'ensachoir sur l'ensachoir (fig.11, n°34).
- F. Monter la rampe de chargement (option) si la machine en est équipée (fig.12).

**Après déballage de la machine, vérifier qu'elle n'a pas subi de dommages pendant le transport. Nous signaler toute anomalie.**

### 5.2 Emplacement

Pour obtenir d'excellentes performances et une fiabilité à long terme, choisir un emplacement :

Bien ventilé, à l'abri du rayonnement solaire direct et éloigné des sources de chaleur, avec une surface plane et robuste exempte de vibrations.

### 5.3 Raccordement électrique

**IMPORTANT** : Mise à la terre obligatoire.

Il est conseillé de protéger l'installation avec un fusible et un disjoncteur différentiel.

Votre installation électrique alimentant la machine doit être protégée comme indiqué ci-dessous :

- Amérique du Nord : Protection 15A ;
- Reste du monde : Protection 16A.

Pour les machines équipées d'un variateur, celles-ci doivent être impérativement raccordées à une boîte de dérivation sur une ligne équipée d'un différentiel de 300mA.

Note : Tout problème résultant d'un autre type de raccordement ne sera pas pris en compte par la garantie.

Avant de connecter la machine au réseau et afin d'éviter une mise hors service du moteur à la mise sous tension, il est important de vérifier la concordance du réseau d'alimentation avec les caractéristiques de la machine (voir plaque signalétique de celle-ci).

Cet appareil est conforme aux Directives Machines 2006/42, 2006/95, 2004/108 et porte le marquage CE attestant cette conformité.

Veillez prendre connaissance des pictogrammes de sécurité figurant sur la machine :



Pictogramme signalant un risque de coupure. Vous le retrouverez à l'avant et à l'arrière de la machine autour de la zone de dépose et de reprise du pain (fig.10, n°31).



Pictogramme signalant un risque d'électrocution. Veuillez débrancher la machine avant toute intervention sur celle-ci. Vous retrouverez ce pictogramme à l'arrière de la machine à proximité du câble d'alimentation et à l'intérieur de la machine sur le coffret électrique (fig.10, n°32).

Vous trouverez le schéma électrique de la machine sur la porte du coffret électrique (fig.10, n°33).

#### **5.4 Mise en service**

Avant la mise en service, s'assurer de l'absence de tout objet parasite sur les parties en mouvement de la machine.

Pour l'utilisation de la machine, se reporter au chapitre « Utilisation ».

#### **5.5 Danger**

En cas de danger pour l'utilisateur ou pour la machine, utiliser l'interrupteur général pour couper l'alimentation de la machine (fig.4, n°23, 25).

Retirer la fiche de la prise électrique avant toute opération de maintenance et d'entretien.  
Ne pas toucher les lames, même à l'arrêt.

Pour le changement des lames, faire faire l'opération par votre distributeur agréé.

Veiller à toujours porter des gants de protection anti-coupure lors du remplacement des lames ou lors d'une opération au voisinage des lames.

Toute opération de maintenance ou de remplacement de pièce doit être effectuée par une personne qualifiée.

---

## 6 ORGANE DE COMMANDE ET DE SECURITE

---

### 6.1 Organe de commande

Votre trancheuse est équipée de série des boutons suivants :

- un bouton de mise en marche qui actionne le mouvement des lames et le mouvement des tapis d'entraînement (fig.4, n°29) ;
- un bouton d'arrêt (fig.4, n°28) ;
- deux boutons d'arrêt d'urgence (fig.4, n°23, 25) ;
- un potentiomètre de réglage de la vitesse d'entraînement des tapis (fig.4, n°30) ;
- un bouton de mise en marche et d'arrêt de la souffleuse ensacheuse (FLD) (fig.4, n°27) ;
- deux boutons de réglage de la hauteur du tapis supérieur d'entraînement (fig.4, n°26) ;
- un compteur horaire de coupe (fig.4, n°24) ;
- un levier qui permet d'évacuer le dernier pain dans les lames (fig.4, n°21) ;
- une manivelle de réglage des guides latéraux (fig.4, n°20) ;
- un bouton de marche arrière des tapis d'entraînement (fig.4, n°22).

### 6.2 Zone de travail

La zone de chargement se situe derrière la machine (fig.3, n°16).

La zone de réglage se situe devant et sur le côté gauche de la machine (fig.3, n°17, 18).

La zone de réception se situe devant la machine (fig.3, n°18).

### 6.3 Organes de sécurité

Cette machine est équipée :

**De deux arrêts d'urgence qui stoppent la machine lorsqu'on les actionne.** (fig.4, n°23, 25) ;  
**D'un capteur magnétique codé situé sur la porte avant qui stoppe la machine lorsque la porte est ouverte** (fig.13, n°35).

---

## 7 UTILISATION

---

Les roulettes pourvues d'un frein doivent être bloquées pour l'utilisation (fig.1, n°6).

**En début de journée, mettre la machine sous tension à l'aide des arrêts d'urgence** (fig.4, n°23, 25).

### **Procédure d'utilisation (fig.5, 6)**

- Régler les guides de la rampe de chargement à l'aide des molettes (option), régler les guides du tapis d'entrée à l'aide de la manivelle de réglage située sur le côté gauche afin de les adapter à la longueur des pains à couper et régler les guides du tapis de sortie si votre machine est équipée d'un tapis de sortie motorisé (FMD).
- Régler le presse-pains à l'aide des boutons (fig.4, n°26) afin de l'adapter à la hauteur des pains à couper.
- Charger les pains sur la rampe de chargement (option) ou sur le tapis d'entrée.
- Appuyer sur le bouton vert afin de mettre en marche la machine, les lames vont se mettre en marche et les tapis vont se mettre en mouvement. Régler la vitesse d'avance des tapis à l'aide du potentiomètre (fig.4, n°30).

- E. Lorsque le dernier pain entre dans les lames, actionner le levier du pousse dernier pain pour le faire sortir des lames. Récupérer les pains sur la table de sortie (FLD) ou sur le tapis de sortie (FMD).

Pour commander la souffleuse, appuyer sur le bouton blanc (fig.7) (FLD).

En fin de journée, appuyer sur un des boutons rouges **d'arrêt d'urgence** (fig.4, n°23, 25) pour mettre la machine hors tension.

**Conseil** : Après les premiers jours de travail, faire contrôler la tension des lames par une personne qualifiée.

**Capacité** : Nombre de pains coupés par heure : 1000 (en fonction du type de pain).

Dimensions max du pain (L x h) (cm) : max. 52 x 16

Dimensions min du pain (L x h) (cm) : min. 12 x 6

---

## **8 ENTRETIEN**

---

### **8.1 Journalier par un utilisateur formé**

- A. Vérifier s'il ne faut pas vider les bacs à miettes.
- B. Nettoyer la table et la rampe à l'aide d'une brosse.
- C. Utiliser un chiffon sec pour le nettoyage intérieur.
- D. Pour l'entretien extérieur, utiliser un chiffon humide.
- E. Nettoyer les tapis au chiffon humide.

### **8.2 Toutes les 25 000 coupes et/ou 1 fois par an au minimum, par un agent agréé**

- A. Retirer la fiche de la prise.
- B. Vérifier l'état des lames de coupe.
- C. Si une dépréciation de la qualité de la coupe est notée, il faut procéder au remplacement des lames de coupe (référence JAC : 6110019 du catalogue de Pièces de Rechange JAC).
- D. Si elles sont à changer, remplacer les lames conformément à la procédure de changement des lames de coupe (§8.3).  
NB : Ne pas tendre les lames à l'excès, au risque de déformer les cadres.
- E. Nettoyer à la brosse et aspirer l'intérieur de la machine.
- F. Vérifier l'état des roulements, ensuite graisser ceux-ci.

Bien vérifier que votre agent agréé enregistre son intervention dans votre carnet d'entretien afin de conserver votre garantie de 5 ans.

### **8.3 Changement des lames**

(fig.8, 9)

Veiller à toujours porter des gants de protection anti-coupure (Norme EN 388 : 2003 indice B= 5) et des chaussures de sécurité lors du remplacement des lames ou lors d'une opération au voisinage des lames.

Après s'être assuré que la fiche de la machine est bien déconnectée du secteur :

- A. Dévisser la vis de maintien de l'ensachoir. Répéter l'opération sur les machines à deux ensachoirs (FMD).
- B. Dévisser les 2 vis de maintien de la coiffe.





- C. Ouvrir la coiffe. Dévisser les 4 vis de maintien de la table avant (FLD). Si la machine est équipée d'un tapis de sortie (FMD), dévisser les 8 vis de maintien du tapis.
- D. Retirer la table (FLD) ou le tapis de sortie et déconnecter sa connexion (FMD).
- E. Sur la partie supérieure du cadre avant, desserrer les vis **A** qui fixent le cadre aux lamelles de polypropylène (ne jamais démonter les lamelles de la carcasse, vous risqueriez de modifier les réglages d'usine).
- F. Coucher le cadre vers l'avant. Remplacer les lames du cadre arrière (déposer de quoi se protéger sur les lames du cadre avant). Desserrer les contre-écrous sur les vis **B**. Desserrer les vis **B** pans creux qui tendent les lames. Remplacer les lames en contrôlant qu'elles soient bien placées dans l'ergot des balanciers. Retendre les lames en serrant les vis **B** avec, comme repère pour la tension, les lames restées sur le cadre. Serrer ensuite les écrous (machine équipée de l'option huilage).

**Afin de ne pas déformer le cadre et de ne pas risquer de casses dangereuses, ne remplacer que 1 à 3 lame(s) à la fois en alternant de gauche à droite.**

Recommencer la procédure du point F pour le cadre avant et remonter le cadre avant ainsi que les éléments d'habillage. Au remontage, bien vérifier de glisser la table avant sous la table arrière au niveau des lames.

Connecter la machine au réseau électrique, la machine est prête.

Bien vérifier que votre agent agréé enregistre son intervention dans votre carnet d'entretien afin de conserver votre garantie de 5 ans.

---

## 9 CONSOMMABLES

---

Lors d'une commande d'une pièce de rechange, vérifier avec votre agent agréé de quelle pièce il s'agit sur la base du catalogue de pièces de rechange émis par le fabricant.

Toujours préciser le numéro de machine comme indiqué sur la plaque signalétique.

Votre agent effectue les commandes auprès de JAC.

### 9.1 Liste des CONSOMMABLES

CODE ARTICLE	LIBELLE	MODELE
7240032	COURROIE	TOUTES
5690020	LAMELLE DE CADRES	TOUTES
6110019	COUTEAU JAC 13MM/0,7MM	TOUTES
7250005	COURSIER INFERIEUR CRANTE	TOUTES
7250006	COURSIER SUPERIEUR CRANTE	TOUTES
7250014	COURSIER DE SORTIE LISSE	FULL 520 T3

## 10 INCIDENTS DE FONCTIONNEMENT

Problème	Vérification
<b>La machine ne tourne pas</b>	Brancher la machine à l'aide du câble
	Déverrouiller l'arrêt d'urgence (fig.4, n°23, 25)
	Contactez votre agent agréé si le voyant vert clignote
	Fermer la porte avant
<b>La machine fonctionne, mais les pains sont endommagés ou coupés de manière irrégulière</b>	Vérifier s'il ne faut pas remplacer les lames (§8.3)
	Laisser le pain refroidir quelques heures
	Introduire un pain aux dimensions acceptées
	Introduire un pain assez ferme
	Si les lames sont désalignées, régler les lames et les cadres
<b>Le pain vibre dans les lames</b>	Si les lames sont désalignées, régler les lames et les cadres
<b>Le pain se coupe trop lentement</b>	Vérifier s'il ne faut pas remplacer les lames (§8.3)
<b>Le pain se déchire</b>	Si les lames sont désalignées, régler les lames et les cadres
	Vérifier s'il ne faut pas remplacer les lames (§8.3)
	Contactez votre agent agréé si le voyant vert clignote
<b>Le pain sort très lentement ou reste dans les lames</b>	Vérifier que le levier pousse dernier pain est bien actionné
<b>Le pain est écrasé en sortie des lames</b>	Vérifier que le levier pousse dernier pain est bien actionné

**ATTENTION** : La machine doit obligatoirement être mise hors tension pour toute intervention.



**Si le problème persiste, veuillez contacter votre technicien.**

## 11 LISTE DES COMPOSANTS SUR LES FIGURES

Figure	Bulle	Nom
1	1	Panneau de commande
	2	Ensachoir
	3	Souffleuse ensacheuse
	4	Table de sortie
	5	Bac à mies
	6	Roulettes freinées
	7	Molette de réglage de guides de chargement
	8	Rampe de chargement
	9	Guides de chargement
	10	Tapis motorisé
	11	Guide de chargement du tapis
	12	Tôle d'accès coffret électrique
2	13	Tapis de sortie motorisé
	14	Guide de tapis de sortie
	15	Molette de réglage des guides de tapis de sortie
3	16	Zone de chargement
	17	Zone de réglage
	18	Zone de réglage et de déchargement
4	19	Molette de réglage des guides de chargement
	20	Manivelle de réglage des guides internes
	21	Levier du pousse dernier pain
	22	Boutons de marche arrière des tapis
	23	Bouton d'arrêt d'urgence
	24	Compteur de coupe
	25	Bouton d'arrêt d'urgence
	26	Boutons de réglage du presse-pains
	27	Bouton de mise en marche de la souffleuse ensacheuse
	28	Bouton d'arrêt
	29	Bouton de mise en marche
30	Potentiomètre de réglage de la vitesse des tapis	
10	31	Signalétique « risque de coupure »
	32	Signalétique « risque d'électrocution »
	33	Schéma électrique
11	34	Butée réglable d'ensachoir
13	35	Sécurité magnétique codée

<b>1</b>	<b>VOR DER INBETRIEBNAHME</b> .....	<b>30</b>
<b>2</b>	<b>GARANTIE</b> .....	<b>30</b>
<b>3</b>	<b>WARNHINWEISE</b> .....	<b>31</b>
<b>4</b>	<b>TECHNISCHE DATEN</b> .....	<b>32</b>
4.1	<b>Technische Daten</b> .....	<b>32</b>
4.2	<b>Materialien, die in Kontakt mit dem Brot kommen</b> .....	<b>33</b>
<b>5</b>	<b>INSTALLATION UND INBETRIEBNAHME</b> .....	<b>33</b>
5.1	<b>Auspacken der Maschine:</b> .....	<b>33</b>
5.2	<b>Aufstellung:</b> .....	<b>33</b>
5.3	<b>Anschluss an die Stromversorgung:</b> .....	<b>33</b>
5.4	<b>Inbetriebnahme:</b> .....	<b>34</b>
5.5	<b>Gefahr:</b> .....	<b>34</b>
<b>6</b>	<b>BEDIENELEMENT UND SICHERHEITSVORRICHTUNG</b> .....	<b>35</b>
6.1	<b>Bedienelement:</b> .....	<b>35</b>
6.2	<b>Arbeitsbereich:</b> .....	<b>35</b>
6.3	<b>Sicherheitseinrichtungen:</b> .....	<b>35</b>
<b>7</b>	<b>BEDIENUNG</b> .....	<b>35</b>
<b>8</b>	<b>WARTUNG</b> .....	<b>36</b>
8.1	<b>Taglich durch einen eingewiesenen Bediener:</b> .....	<b>36</b>
8.2	<b>Nach 25.000 Schnitten und/oder mindestens ein Mal jahrlich durch einen zugelassenen Vertreter:</b> .....	<b>36</b>
8.3	<b>Austausch der Messer</b> .....	<b>36</b>
<b>9</b>	<b>ERSATZTEILE</b> .....	<b>38</b>
9.1	<b>ERSATZTEILLISTE</b> .....	<b>38</b>
<b>10</b>	<b>STORUNGEN UND FEHLER</b> .....	<b>39</b>
<b>11</b>	<b>LISTE DER ABGEBILDETEN TEILE UND FUNKTIONEN</b> .....	<b>40</b>

---

## 1 VOR DER INBETRIEBNAHME

---

Vielen Dank, dass Sie sich für ein Gerät von JAC entschieden haben. Bitte lesen Sie diese Bedienungsanleitung vor der Installation und Inbetriebnahme dieser Maschine aufmerksam durch. Dies dient zu Ihrer Sicherheit und zum Schutz der Maschine vor Schäden.

Diese Bedienungsanleitung enthält Verweise auf verschiedene Abbildungen, die das Verständnis der Anleitungen erleichtern. Die Abbildungen befinden sich am Schluss der Bedienungsanleitung. Bitte schlagen Sie die jeweilige Abbildung anhand des angegebenen Verweises (Fig. X, Nr. Y) nach.

**Damit Sie sich viele Jahre an dieser Maschine erfreuen können, möchten wir Sie bitten, die folgenden Hinweise zu berücksichtigen:**

- Lassen Sie sich bei der Installation, der Inbetriebnahme und der weiteren Nutzung von Ihrem zugelassenen Vertreter unterstützen.
- Um die Garantie von fünf Jahren (siehe nachfolgende Garantiebestimmungen) in Anspruch nehmen zu können, lassen Sie bitte von Ihrem Vertriebshändler bei der Installation Ihrer Maschine das Wartungsheft ausfüllen. Das Wartungsheft befindet sich an der Rückseite Ihrer Maschine.

---

## 2 GARANTIE

---



**JAC bietet auf alle seine Produkte eine Garantie von fünf Jahren.**

Diese Garantie erstreckt sich auf alle Teile Ihrer Maschine, auch auf die elektronischen Bauteile, außer Verschleißteile. Die Garantiefrist beginnt zum Zeitpunkt der Installation der Anlage.

**Es gelten die folgenden Beschränkungen:**

- Das Produkt wurde bei einem zugelassenen Vertragshändler erworben.
- Die Installation wurde von einem zugelassenen Vertreter vorgenommen.
- Das Produkt wurde im Rahmen seines bestimmungsgemäßen Gebrauchs und entsprechend der Bedienungsanleitung verwendet.
- Das Produkt wurde täglich entsprechend den Vorgaben der Bedienungsanleitung instandgehalten.
- Die Wartung wird durch einen zugelassenen Vertreter entsprechend den Wartungsvorgaben durchgeführt und findet mindestens einmal jährlich statt (auf Kosten des Anwenders).
- Es werden ausschließlich Originalersatzteile von JAC verwendet.



**Sofern keine Wartung durch einen zugelassenen Vertreter erfolgt bzw. das Wartungsheft nicht ordnungsgemäß ausgefüllt ist, ist die Garantie auf ein Jahr begrenzt.**

**Diese Garantie deckt nicht:**

- den Ersatz von Verschleißteilen (siehe Abschnitt 9);
- Teile, die unser Kundendienst nicht als defekt anerkennt;

- Probleme, die sich aus einer ungewöhnlichen Nutzung des Produktes ergeben;
- Probleme, die darauf zurückzuführen sind, dass die Installation nicht durch einen zugelassenen Vertreter durchgeführt wurde;
- Beschädigungen oder Probleme, die auf einen Transportschaden oder auf die unsachgemäße Handhabung des Produktes zurückzuführen sind.

**Die Durchführung einer Reparatur und/oder der Ersatz defekter Teile während der Garantiefrist führen nicht zur Verlängerung der Garantiefrist.**

---

### 3 WARNHINWEISE

---

Bitte bewahren Sie diese Bedienungsanleitung unbedingt mit Ihrem Gerät zum späteren Nachlesen auf. Bei Verkauf oder Weitergabe Ihres Gerätes übergeben Sie bitte diese Bedienungsanleitung an den neuen Besitzer bzw. Benutzer, damit dieser über die Funktionsweise des Gerätes und die Warnhinweise informiert ist und diese befolgen kann.



**Diese Warnhinweise dienen zu Ihrer Sicherheit und der Sicherheit anderer. Bitte lesen Sie die Warnhinweise vor der Installation und Verwendung Ihres Gerätes aufmerksam durch.**

Diese Maschine ist für die Verwendung durch befugte erwachsene Personen bestimmt. Stellen Sie sicher, dass die Maschine nicht von Kindern berührt oder als Spielzeug benutzt wird.

Diese Maschine ist ausschließlich für den professionellen Einsatz vorgesehen.

Eine Modifizierung bzw. versuchte Modifizierung der Eigenschaften und Merkmale dieser Maschine ist gefährlich.

Stellen Sie nach der Installation dieser Maschine sicher, dass diese nicht auf dem Netzkabel steht.

Befolgen Sie stets die Anleitungen zur Bedienung und Verwendung.

Die Maschine ist in einem Innenraum und gegen Feuchtigkeit und Hitze geschützt aufzustellen.

Die Maschine muss zur Durchführung der Arbeiten ausreichend ausgeleuchtet sein.

Der Geräuschpegel der Maschine liegt unter 75 dB(A) und entspricht damit der EN ISO 3744.

Die Maschine darf nicht von mehreren Personen gleichzeitig benutzt werden (es sei denn, die Anleitung gibt etwas Anderes vor).

Die Maschine dient zum Schneiden abgekühlter Brotlaibe.



**Diese Maschine darf nicht zum Schneiden der folgenden Brote, Artikel und Materialien verwendet werden:**

- Warmes Brot, altbackenes Brot
- Gefrorenes oder halb aufgetautes Brot
- Vollwertbrot mit harter Kruste und andere Brotsorten mit harter Kruste

- Roggenbrot
- Ungenießbare Produkte wie Holz, Kunststoff oder Ähnliches
- Lebensmittel, die nicht zur Gruppe der Backwaren (speziell Brote und Kuchen) gehören.

**Die Verwendung der Maschine zum Schneiden nicht zulässiger Brote, Artikel und Materialien kann zur Beschädigung der Maschine führen.**



**Vor Reinigungsarbeiten innen und außen am Gerät und vor Wartungsarbeiten immer den Netzstecker ziehen.**

Dieses Gerät ist sehr schwer. Beim Transport und Bewegen des Gerätes sind angemessene Vorsichtsmaßnahmen zu ergreifen.

---

## **4 TECHNISCHE DATEN**

---

### **4.1 Technische Daten**

	<b>Full 520 T2</b>	<b>Full 520 T3</b>
<b>Höhe (mm)</b>	1250	1250
<b>Höhe mit Aufgaberampe (Option) (mm)</b>	1658	1658
<b>Breite (mm)</b>	1164	844
<b>Tiefe (mm)</b>	1971	2266
<b>Tiefe mit Aufgaberampe (Option) (mm)</b>	2655	2951
<b>Breite der Schneidkammer (mm)</b>	520	520
<b>Höhe der Schneidkammer (mm)</b>	160	160
<b>Verpackungsmaße (mm)</b>	950 x 2160 x 1800	950 x 2410 x 1800
<b>Nettogewicht (kg)</b>	365	385
<b>Nettogewicht + Verpackung (kg)</b>	400	420
<b>Motorleistung (kW)</b>	1,1	1,1
<b>Motortyp</b>	Einphasig oder dreiphasig	Einphasig oder dreiphasig
<b>220 V - 50 Hz (A)</b>	5	5
<b>380 V - 50 Hz (A)</b>	3,2	3,2
<b>Kapazität (Brote/Stunde)</b>	200<500	200<500
<b>Geräuschpegel (dB)</b>	<75	<75

<b>Aufgaberampe</b>	Option
<b>Spezialmesser</b>	Option



#### **4.2 Materialien, die in Kontakt mit dem Brot kommen**

**Aufgaberampe** EDELSTAHL 430

**Schieber für das letzte Brot:** EDELSTAHL 430

**Brotpresse:** EDELSTAHL 430

**Messer:** Stahl

**Brotaufgabeband:** PVC

**Austragsband** Polyurethan

**Austragstisch:** EDELSTAHL 430

---

## **5 INSTALLATION UND INBETRIEBNAHME**

---

### **5.1 Auspacken der Maschine:**

Unsere Maschinen werden zur Lieferung ab Werk auf Paletten verpackt, mit Umreifungsbändern gesichert und mit einer Holzbox geschützt. Prüfen Sie die Verpackung bei Erhalt auf Beschädigungen und teilen Sie dem Spediteur etwaige Transportschäden direkt mit.

- A. Entfernen Sie die Holzbox und die Folie von der Maschine. Soweit Ihre Maschine mit einer Aufgaberampe (Option) versehen ist, diese von der Oberseite der Maschine abnehmen und entpacken.
- B. Entfernen Sie die Umreifungsbänder und bedenken Sie dabei, dass diese beim Durchschneiden aufspringen.
- C. Lösen Sie die Maschine durch Entfernen der Holzleisten, welche die Räder sichern, von der Palette.
- D. Heben Sie die Maschine von der Palette. Dies muss durch mindestens zwei Personen erfolgen, so dass die Maschine möglichst sicher auf dem Boden abgesetzt werden kann.
- E. Den einstellbaren Anschlag der Brotablage auf der Brotablage einrichten (Fig. 11, Nr. 34).
- F. Die Aufgaberampe (Option) montieren, wenn die Maschine mit dieser Option ausgestattet ist (Fig. 12).

**Die Maschine nach dem Auspacken auf Transportschäden überprüfen. Melden Sie uns bitte alle Fehler und Schäden.**

### **5.2 Aufstellung:**

Um eine hohe Leistung, eine lange Lebensdauer und einen zuverlässigen Betrieb sicherzustellen, sollte der Aufstellort wie folgt beschaffen sein:

Gut belüftet, vor direkter Sonneneinstrahlung geschützt, in ausreichender Entfernung zu Wärmequellen, mit ebenem, tragfähigen und schwingungsfreiem Boden.

### **5.3 Anschluss an die Stromversorgung:**

**WICHTIG:** Die Erdung der Maschine ist vorgeschrieben.

Wir empfehlen den Schutz der Anlage durch eine Sicherung und einen FI-Schutzschalter.

Ihr Stromnetz zur Versorgung der Maschine muss folgendermaßen geschützt werden:

- Nordamerika: Schutz 15 A;
- Rest der Welt: Schutz 16 A.

Maschinen mit Stromrichter müssen zwingend über einen FI-Schutzschalter für 300 mA angeschlossen werden.

Hinweis: Probleme und Störungen, die sich durch abweichende Ausführung des Anschlusses ergeben, sind nicht durch die Garantie gedeckt.

Prüfen Sie vor dem Anschließen der Maschine an das Stromnetz unbedingt, ob die Stromversorgung für die Maschine geeignet ist (siehe Angaben auf dem Typenschild), um einen Motorausfall beim Einschalten zu vermeiden.

Dieses Gerät entspricht den Maschinenrichtlinien 2006/42, 2006/95, 2004/108 und ist daher mit dem CE-Zeichen gekennzeichnet.

Bitte beachten Sie die an der Maschine angebrachten Warnsymbole:



Warnsymbol zur Anzeige der Schneidgefahr. Dieses Warnsymbol befindet sich auf der Vorder- und der Rückseite der Maschine im Bereich der Brotaufnahme und der Brotausgabe. (Fig. 10, Nr. 31)



Warnsymbol zur Anzeige der Gefahr eines tödlichen Stromschlags. Die Maschine vor jedem Eingriff vom Stromnetz nehmen. Das Warnsymbol ist an der Rückseite der Maschine neben dem Netzanschluss sowie im Inneren der Maschine auf dem Schaltkasten angebracht. (Fig. 10, Nr. 32)

Den Schaltplan der Maschine finden Sie auf der Schaltkastentür. (Fig. 10, Nr. 33)

#### 5.4 **Inbetriebnahme:**

Vor der Inbetriebnahme sicherstellen, dass sich keine Fremdkörper auf den beweglichen Teilen der Maschine befinden.

Weitere Informationen zur Verwendung der Maschine erhalten Sie im Abschnitt „Bedienung“.

#### 5.5 **Gefahr:**

Bei einer Gefahr für den Anwender oder die Maschine ist die Maschine über den Hauptschalter auszuschalten. (Fig. 4, Nr. 23, 25)

Vor Wartungs- oder Instandsetzungsmaßnahmen den Netzstecker ziehen.  
Die Messer niemals berühren, und zwar auch dann nicht, wenn die Maschine abgeschaltet ist.

Die Messer müssen von einem zugelassenen Vertreter ausgetauscht werden.

Tragen Sie beim Austausch der Messer und bei Arbeiten direkt im Bereich der Messer stets Schutzhandschuhe, um sich gegen Schnittverletzungen zu schützen.

Wartungsmaßnahmen und der Austausch von Ersatzteilen dürfen nur durch eine qualifizierte Person erfolgen.

---

## **6 BEDIENELEMENT UND SICHERHEITSVORRICHTUNG**

---

### **6.1 Bedienelement:**

Ihre Brotschneidemaschine ist serienmäßig mit den folgenden Elementen ausgestattet:

- einem Einschalter, der die Bewegung der Messer und des Aufgabebands (Fig. 4, Nr. 29) auslöst;
- einem Ausschalter (Fig. 4, Nr. 28);
- zwei Not-Aus-Schaltern (Fig. 4, Nr. 23, 25);
- einem Potentiometer zur Einstellung der Bandgeschwindigkeit (Fig. 4, Nr. 30);
- einem Einschalter und Ausschalter für das Beutelgebläse (FLD) (Fig. 4, 27);
- zwei Schaltern zur Einstellung der Höhe des oberen Aufgabebands (Fig. 4, Nr. 26);
- einem Schnitt-Stundenzähler (Fig. 4, Nr. 24);
- einem Hebel zum Entfernen des letzten Brots aus den Messern (Fig. 4, Nr. 21);
- einer Kurbel zur Einstellung der seitlichen Führungen (Fig. 4, Nr. 20);
- einem Schalter zur Einstellung des Rückwärtslaufs des Aufgabebands (Fig. 4, Nr. 22).

### **6.2 Arbeitsbereich:**

Der Aufgabebereich befindet sich an der Rückseite der Maschine (Fig. 3, Nr. 186).

Der Einstellbereich befindet sich an der linken Maschinenseite (Fig. 3, Nr. 17, 18).

Der Entnahmehbereich befindet sich an der Vorderseite der Maschine (Fig. 3, Nr. 18).

### **6.3 Sicherheitseinrichtungen:**

Diese Maschine ist mit folgenden Sicherheitseinrichtungen ausgestattet:

**zwei Not-Aus-Schaltern, die die Maschine bei Bedarf anhalten.** (Fig. 4, Nr. 23, 25)  
**einem codierten Magnetsensor an der vorderen Tür, der die Maschine bei geöffneter Tür anhält.** (Fig. 13, Nr. 35)

---

## **7 BEDIENUNG**

---

Vor dem Betrieb die mit Bremsen versehenen Räder feststellen (Fig. 1, Nr. 6)

**Die Maschine bei Tagesbeginn über die Not-Aus-Schalter einschalten**  
(Fig. 4, Nr. 23, 25)

**Bedienung (Fig. 5, 6)**

- A. Die Führungen der Aufgaberrampe anhand der Drehräder (Option) und die Führungen des Aufgabebands anhand des Einstellgriffs auf der linken Seite auf die Länge der zu schneidenden Brote sowie die Führungen des Austragsbands einstellen, sofern Ihre Maschine mit einem motorbetriebenen Ausgang (FMD) ausgestattet ist.

- B. Die Brotpresse über die Tasten (Fig. 4, Nr. 26) auf die Höhe der zu schneidenden Brote einstellen.
- C. Die Brote auf die Aufgaberrampe (Option) oder das Aufgabeband geben.
- D. Zum Einschalten der Maschine auf die grüne Taste drücken. Die Messer und Bänder werden so in Bewegung versetzt. Die Vorschubgeschwindigkeit des Bands über das Potentiometer (Fig. 4, Nr. 30) einstellen.
- E. Sobald das letzte Brot zu den Messern geführt wird, den seitlichen Druckhebel betätigen, um das Brot gegen die Messer zu drücken. Die Brote vom Austragstisch (FLD) oder Austragsband (FMD) entfernen.

Zur Betätigung des Gebläses auf die weiße Taste drücken (Fig. 7) (FLD).

Am Ende des Tages auf eine der roten **Not-Aus-Tasten** (Fig. 4, Nr. 23, 25) drücken, um die Maschine abzuschalten.

**Tip:** Nach den ersten Betriebstagen die Spannung der Messer durch eine qualifizierte Person überprüfen lassen.

**Kapazität:** Anzahl der geschnittenen Brote pro Stunde: 1000 (je nach Brotsorte).

Brotgröße: (L x H) (cm): max. 52 x 16

Mind. Brotgröße: (L x H) (cm): min. 12 x 6

---

## 8 WARTUNG

---

### 8.1 Täglich durch einen eingewiesenen Bediener:

- A. Prüfen, ob die Krümelkächer geleert werden müssen.
- B. Den Tisch und die Rampe abbürsten.
- C. Den Innenbereich mit einem trockenen Tuch reinigen.
- D. Zur Reinigung des Außenbereichs ein feuchtes Tuch verwenden.
- E. Das Band mit einem feuchten Tuch reinigen.

### 8.2 Nach 25.000 Schnitten und/oder mindestens ein Mal jährlich durch einen zugelassenen Vertreter:

- A. Den Stecker aus der Steckdose ziehen.
  - B. Den Zustand der Messer überprüfen.
  - C. Soweit die Schneidqualität nachgelassen hat, muss das Messer ausgetauscht werden (JAC Bestellnummer: 6110019 Ersatzteilkatalog JAC)
  - D. Das Messer ist entsprechend dem für den Austausch der Messer vorgeschriebenen Verfahren auszutauschen (Abs. 8.3).
- HINWEIS: Die Messer nicht zu stark spannen - andernfalls können die Rahmen verformen.
- E. Mit der Bürste reinigen und den Innenbereich der Maschine absaugen.
  - F. Den Zustand der Lager überprüfen und diese schmieren.

Hier bitte sicherstellen, dass Ihr zugelassener Vertreter diese Maßnahmen im Wartungsheft festhält, um Ihren Garantieanspruch von fünf Jahren zu erhalten.

### 8.3 Austausch der Messer

(Fig. 8, 9)

Beim Austausch der Messer oder bei Arbeiten in der Umgebung der Messer müssen Schnittschutzhandschuhe (Norm EN 388: 2003, Index B = 5) sowie Sicherheitsschuhe getragen werden.

Sich zunächst vergewissern, dass der Netzstecker gezogen ist.

- A. Die Schrauben der Brotablage entfernen. Dies für Maschinen mit zwei Brotablagen (FMD) wiederholen.
- B. Die beiden Schrauben der Abdeckung lösen.
- C. Die Abdeckung öffnen. Die vier Schrauben des vorderen Tisches (FLD) lösen. Sofern Ihre Maschine mit einem Austragsband (FMD) ausgestattet ist, die acht Schrauben des Austragsbands entfernen.
- D. Den Austragstisch (FLD) oder das Austragsband ausbauen und die Verbindung lösen (FMD).
- E. Am oberen Teil des vorderen Rahmens die **A**-Schrauben lösen, mit denen der Rahmen an den Polypropylenlamellen befestigt ist (die Lamellen niemals vom Gerät entfernen, das es so zu einer Änderung der werkseitigen Einstellungen kommen kann).
- F. Den Rahmen nach vorne umklappen. Die Messer des hinteren Rahmens austauschen (einen Schutz auf die Messer des vorderen Rahmens legen). Die mit den **B**-Schrauben verbundenen Gegenmutter lösen. Die sechs Innensechskantschrauben **B** zum Spannen der Messer lösen. Die Messer austauschen und dabei darauf achten, dass sie ordnungsgemäß auf dem Führungszapfen der Ausleger sitzen. Die Messer durch Anziehen der **B-Schrauben** wieder spannen und sich dabei an der Spannung der verbleibenden Messer im Rahmen orientieren. Anschließend die Muttern anziehen (Maschinen mit Schmiersystem).

**Um den Rahmen nicht zu verformen und um zu verhindern, dass es zu gefährlichen Schäden kommt, nur ein bis drei Messer auf ein Mal und abwechselnd von links nach rechts austauschen.**

Für den vorderen Rahmen das Verfahren ab Punkt F wiederholen und den vorderen Rahmen und die Verkleidungselemente wieder einsetzen. Bei der erneuten Montage sicherstellen, dass der vordere Tisch auf Höhe der Messer unter den hinteren Tisch geschoben wird.

Die Maschine mit dem Stromnetz verbinden. Die Maschine ist betriebsbereit.

Hier bitte sicherstellen, dass Ihr zugelassener Vertreter diese Maßnahmen im Wartungsheft festhält, um Ihren Garantieanspruch von fünf Jahren zu erhalten.

---

## 9 ERSATZTEILE

---

Um Ersatzteile für Ihre Maschine zu bestellen, lassen Sie von Ihrem Vertreter anhand des Ersatzteilkatalogs des Herstellers prüfen, um welche Teile es sich genau handelt. Dazu immer die Maschinenummer übermitteln, die auf dem Typenschild steht. Ihr Vertreter bestellt das Ersatzteil dann bei JAC.

### 9.1 ERSATZTEILLISTE

ARTIKELCODE	BEZEICHNUNG	MODELL
7240032	RIEMEN	ALLE
5690020	RAHMENLAMELLE	ALLE
6110019	JAC-MESSER 13 MM/0,7 MM	ALLE
7250005	FÜHRUNG UNTEN GEWELLT	ALLE
7250006	FÜHRUNG OBEN GEWELLT	ALLE
7250014	FÜHRUNG AUSTRAG GLATT	FULL 520 T3

<b>Problem</b>	<b>Fehlersuche</b>
<b>Die Maschine funktioniert nicht.</b>	Die Maschine über das Kabel anschließen.
	Den Not-Aus entriegeln (Fig. 4, Nr. 23, 25)
	Wenn die grüne Anzeige blinkt, den zugelassenen Vertreter kontaktieren.
	Die vordere Tür schließen.
<b>Die Maschine funktioniert, das Brot wird jedoch zerdrückt oder ungleichmäßig geschnitten.</b>	Möglicherweise müssen die Messer ausgetauscht werden Abs. 8.3)
	Lassen Sie das Brot einige Stunden lang abkühlen.
	Schneiden Sie nur Brote passender Größe.
	Schneiden Sie nur ausreichend feste Brote.
	Wenn die Messer nicht ausgerichtet sind, die Messer und Rahmen einstellen.
<b>Das Brot vibriert zwischen den Messern.</b>	Wenn die Messer nicht ausgerichtet sind, die Messer und Rahmen einstellen.
<b>Das Brot wird zu langsam geschnitten.</b>	Möglicherweise müssen die Messer ausgetauscht werden Abs. 8.3)
<b>Das Brot wird zerrissen.</b>	Wenn die Messer nicht ausgerichtet sind, die Messer und Rahmen einstellen.
	Möglicherweise müssen die Messer ausgetauscht werden Abs. 8.3)
	Wenn die grüne Anzeige blinkt, den zugelassenen Vertreter kontaktieren.
<b>Das Brot wird nur sehr langsam ausgegeben oder bleibt im Bereich der Messer stecken.</b>	Überprüfen, ob der Hebel zum Verschieben des letzten Brotes betätigt wurde.
<b>Das Brot wird am Ende der Messer zusammengedrückt.</b>	Überprüfen, ob der Hebel zum Verschieben des letzten Brotes betätigt wurde.

**VORSICHT:** Vor allen Eingriffen an der Maschine ist die Maschine zwingend von der Stromversorgung zu trennen.



Bei Anhalten des Problems wenden Sie sich bitte an Ihren Servicetechniker.

## 11 LISTE DER ABGEBILDETEN TEILE UND FUNKTIONEN

Abbildung	Nummer	Bezeichnung
1	1	Bedienelement
	2	Brotablage
	3	Beutelgebläse
	4	Austragstisch
	5	Krümelfach
	6	Blockierte Rollen
	7	Einstellrad für die Aufgabeführungen
	8	Aufgaberampe
	9	Aufgabeführungen
	10	motorbetriebenes Band
	11	Aufgabeführung des Bands
	12	Zugangsklappe Schaltkasten
2	13	Motorbetriebenes Ausgabeband
	14	Austragstischführung
	15	Einstellrad für die Führungen des Austragsbands
3	16	Aufgabebereich
	17	Einstellbereich
	18	Einstell- und Entnahmebereich
4	19	Einstellrad für die Aufgabeführungen
	20	Einstellgriff für die innenliegenden Führungen
	21	Hebel des Schiebers für das letzte Brot
	22	Taster für die Rückwärtsbewegung der Bänder
	23	Not-Aus-Schalter
	24	Schnitzzähler
	25	Not-Aus-Schalter
	26	Einstelltasten zur Einstellung der Brotpresse
	27	Einschalter des Beutelgebläses
	28	Ausschalter
	29	Einschalter
	30	Potentiometer zur Einstellung der Bandgeschwindigkeit
10	31	Hinweis „Schneidgefahr“
	32	Hinweis „Gefahr eines Stromschlags“
	33	Schaltplan
11	34	einstellbarer Anschlag der Brotablage
13	35	Codierte, magnetische Sicherung



<b>1</b>	<b>VÓÓR DE INBEDRIJFSTELLING</b> .....	<b>42</b>
<b>2</b>	<b>GARANTIE</b> .....	<b>42</b>
<b>3</b>	<b>WAARSCHUWINGEN</b> .....	<b>43</b>
<b>4</b>	<b>TECHNISCHE EIGENSCHAPPEN</b> .....	<b>44</b>
4.1	Technische eigenschappen.....	44
4.2	Materiaal dat rechtstreeks in contact komt met het brood.....	44
<b>5</b>	<b>INSTALLATIE EN INBEDRIJFSTELLING</b> .....	<b>45</b>
5.1	De machine uit de verpakking halen:.....	45
5.2	Plaatsing:.....	45
5.3	Elektrische aansluiting:.....	45
5.4	Inbedrijfstelling:.....	46
5.5	Gevaar:.....	46
<b>6</b>	<b>BEDIENINGS- EN VEILIGHEIDSPANEEL</b> .....	<b>47</b>
6.1	Bedieningspaneel:.....	47
6.2	Werkzone:.....	47
6.3	Veiligheidsvoorzieningen:.....	47
<b>7</b>	<b>GEBRUIK</b> .....	<b>47</b>
<b>8</b>	<b>ONDERHOUD</b> .....	<b>48</b>
8.1	Dagelijks door een opgeleide gebruiker.....	48
8.2	Om de 25.000 snij-acties en/of minimaal één keer per jaar door een erkende verdeler.....	48
8.3	Vervanging van de bladen.....	48
<b>9</b>	<b>VERBRUIKSGOEDEREN</b> .....	<b>50</b>
9.1	Lijst met VERBRUIKSGOEDEREN.....	50
<b>10</b>	<b>STORINGEN</b> .....	<b>51</b>
<b>11</b>	<b>LIJST MET ONDERDELEN OP DE AFBEELDINGEN</b> .....	<b>52</b>

---

## 1 VÓÓR DE INBEDRIJFSTELLING

---

Bedankt dat u hebt gekozen voor een JAC-oplossing. Neem deze gebruikershandleiding grondig door voordat u deze machine installeert en in werking stelt. Zo kunt u uzelf beschermen en schade aan uw machine vermijden.

Deze handleiding verwijst naar diverse afbeeldingen zodat u de instructies beter kunt begrijpen. Deze afbeeldingen bevinden zich op het einde van de handleiding. Raadpleeg ze wanneer u de volgende symbolen tegenkomt (fig.X, n°Y).

**Om nog jarenlang van uw machine te kunnen genieten, raden we u aan om de volgende adviezen na te leven:**

- Doe een beroep op uw erkende verdeler voor de installatie, inbedrijfstelling en opvolging.
- Om te kunnen genieten van de garantie van vijf jaar (zie verder voor de voorwaarden), moet u bij de installatie van uw machine het onderhoudsboekje laten invullen door uw verdeler. Dit onderhoudsboekje bevindt zich aan de achterkant van uw machine.

---

## 2 GARANTIE

---



**JAC biedt een garantie van vijf jaar op al zijn producten.**

Deze garantie is geldig voor alle onderdelen van uw machine, waaronder de elektronische onderdelen, maar uitgezonderd de verbruiksgoederen. De garantie treedt in werking op de installatiedatum van het materiaal.

**Onder de volgende beperkende voorwaarden:**

- Het materiaal moet bij een erkende verdeler zijn aangekocht.
- De installatie moet door een erkende verdeler zijn uitgevoerd.
- Het materiaal moet worden gebruikt in overeenstemming met de aanwijzingen in de gebruikershandleiding en voor het doel waarvoor het werd geproduceerd.
- Het materiaal moet dagelijks worden onderhouden in overeenstemming met de aanwijzingen in de gebruikershandleiding.
- Ten minste één keer per jaar moet onderhoud worden uitgevoerd door de erkende verdeler en dit in overeenstemming met de onderhoudsspecificaties (onderhoud ten laste van de gebruiker).
- Alleen originele JAC-onderdelen mogen worden gebruikt.



**Als er geen onderhoud wordt uitgevoerd door een erkende verdeler en/of het onderhoudsboekje niet correct wordt ingevuld, is de garantie beperkt tot één jaar.**

**Het volgende valt niet onder deze garantie:**

- De vervanging van verbruiksgoederen (§9).
- Defecte stukken die door onze diensten niet worden erkend.
- Problemen ten gevolge van een abnormaal gebruik van het materiaal.
- Problemen doordat de installatie niet door een erkende verdeler is uitgevoerd.
- De onderdelen of problemen die het gevolg zijn van transportschade of een ongepaste behandeling.

**Een reparatie en/of een vervanging van defecte onderdelen tijdens de garantieperiode verlengt deze garantie niet.**

---

### **3 WAARSCHUWINGEN**

---

Het is heel belangrijk dat deze gebruikershandleiding bij het apparaat wordt bewaard zodat ze later kan worden geraadpleegd. Als dit apparaat wordt verkocht of aan een andere persoon wordt overgedragen, zorg er dan voor dat de gebruikershandleiding wordt overhandigd zodat de gebruiker op de hoogte is van de werking ervan en van de daarin vermelde waarschuwingen.



**Deze waarschuwingen worden gegeven voor uw veiligheid en die van anderen. We vragen u dan ook ze aandachtig te lezen vooraleer u het apparaat installeert en gebruikt.**

Deze machine werd ontworpen om door bevoegde volwassenen te worden gebruikt. Zorg er dus voor dat kinderen de machine niet aanraken en niet als speelgoed beschouwen.

Deze machine is uitsluitend voorbehouden voor professioneel gebruik.

Het is gevaarlijk om de eigenschappen van deze machine te wijzigen of te proberen wijzigen.

Zorg er na de installatie van deze machine voor dat ze niet op het netsnoer staat.

Volg de meegeleverde gebruiksinstructies.

Deze machine moet worden bewaard en gebruikt in een ruimte die niet vochtig of warm wordt.

Deze machine moet voldoende verlicht zijn om het werk uit te voeren.

Deze machine heeft een geluidsniveau van minder dan 75 dB(A) conform de norm EN ISO 3744.

Deze machine mag slechts door één persoon tegelijkertijd worden gebruikt (behoudens tegengestelde instructie).

Deze machine is bedoeld voor het snijden van gebakken en lauw brood.



**Deze machine is niet bedoeld voor het volgende brood en materiaal:**

- Warm brood, oud brood
- Bevroren of half ontdooid brood
- Volkorenbrood met harde korst en andere soorten brood met een harde korst
- Roggebrood
- Niet-eetbare producten zoals hout, plastic en soortgelijk materiaal
- Elk voedingsmiddel dat niet hoort tot de categorie brood of cake

**De machine kan beschadigd raken als niet toegestaan brood of materiaal wordt gesneden.**



Haal altijd de stekker uit het stopcontact vooraleer u de buiten- of binnenkant van het apparaat schoonmaakt of onderhoud uitvoert.

Dit apparaat is zwaar. Neem alle veiligheidsmaatregelen tijdens het onderhoud.

## 4 TECHNISCHE EIGENSCHAPPEN

### 4.1 Technische eigenschappen

	Full 520 T2	Full 520 T3
Hoogte (mm)	1250	1250
Hoogte met laadhelling (optie) (mm)	1658	1658
Breedte (mm)	1164	844
Diepte (mm)	1971	2266
Diepte met laadhelling (optie) (mm)	2655	2951
Breedte van het toevoerkanaal (mm)	520	520
Hoogte van het toevoerkanaal (mm)	160	160
Verpakking (mm)	950 x 2160 x 1800	950 x 2410 x 1800
Nettogewicht (kg)	365	385
Nettogewicht + verpakking (kg)	400	420
Motorvermogen (kW)	1,1	1,1
Motortype	Eenfasig of driefasig	Eenfasig of driefasig
220 V - 50 Hz (A)	5	5
380 V - 50 Hz (A)	3,2	3,2
Capaciteit (broden/uur)	200<500	200<500
Geluidsniveau (dB)	<75	<75

Laadhelling	optie
Speciale messen	optie

### 4.2 Materiaal dat rechtstreeks in contact komt met het brood.

Laadhelling: INOX 430

Duwer laatste broden: INOX 430

Broodpers: INOX 430

Bladen: Staal

Toevoerband van het brood: Pvc

Afvoerband T3: Polyurethaan

Afvoerband: INOX 430



---

## 5 INSTALLATIE EN INBEDRIJFSTELLING

---

### 5.1 De machine uit de verpakking halen:

De machines worden uit onze ateliers op pallets, verankerd en met een houten kist beschermd geleverd. U moet eerst en vooral de verpakking bekijken en elke transportschade onmiddellijk aan de koerier melden.

- A. Haal de houten kist en de verpakkingzak van de machine. Als uw machine uitgerust is met een laadhelling (optie), haal deze dan van de bovenkant van de machine en pak ze uit.
- B. Verwijder de riemen en let daarbij met name op de terugslag wanneer ze worden doorgesneden.
- C. Maak de machine los van de pallet door de houten latten te verwijderen die de wieltjes blokkeren.
- D. Haal de machine van de pallet. Doe dit met minstens twee personen zodat de machine niet met een harde schok op de grond terechtkomt.
- E. Installeer de verstelbare aanslag van de broodplank op de broodplank (fig.11, n°34).
- F. Plaats de laadhelling (optie) als de machine ermee is uitgerust (fig.12).

**Na het uitpakken van uw machine moet u nakijken of ze tijdens het transport geen schade heeft opgelopen. Meld ons elke afwijking.**

### 5.2 Plaatsing:

Voor uitstekende prestaties en betrouwbaarheid op lange termijn moet u een plaats kiezen die:

Goed verlucht is, niet blootgesteld is aan direct zonlicht en uit de buurt is van warmtebronnen, met een vlak, stevig en trillingsvrij oppervlak.

### 5.3 Elektrische aansluiting:

**BELANGRIJK:** Verplichte aarding.

Er wordt aangeraden om de installatie te beveiligen met een zekering en differentieelschakelaar.

Uw elektriciteitsinstallatie die stroom levert aan de machine moet als volgt worden beveiligd:

- Noord-Amerika: Beveiliging 15 A
- Rest van de wereld: Beveiliging 16 A

Machines die uitgerust zijn met een regelaar moeten worden aangesloten op een aftakdoos op een lijn die uitgerust is met een differentieelschakelaar van 300 mA.

Opmerking: Elk probleem dat te wijten is aan een andere soort aansluiting wordt niet gedekt door de garantie.

Voordat u uw machine op het net aansluit en om een storing van de motor bij het onder spanning zetten te vermijden, is het belangrijk dat u controleert of het elektriciteitsnet overeenstemt met de eigenschappen van de machine (zie het identificatieplaatje).

Dit apparaat is conform de machinerichtlijnen 2006/42, 2006/95, 2004/108 en draagt de CE-markering die hiervan getuigt.

Houd rekening met de veiligheidspictogrammen op de machine:



Pictogram dat wijst op een mogelijke stroomonderbreking. Dat is terug te vinden aan de voor- en achterkant van de machine in de zone waar het brood wordt geplaatst en weggenomen (fig.10, n°31).



Pictogram dat wijst op gevaar voor elektrocutie. Trek de machine vóór elke interventie uit het stopcontact. Dat is terug te vinden aan de achterkant van de machine in de buurt van het netsnoer en binnenin de machine op de schakelkast (fig.10, n°32).

U vindt het elektrische schema van de machine op de deur van de schakelkast(fig.10, n°33).

#### **5.4 Inbedrijfstelling:**

Zorg er vóór de inbedrijfstelling voor dat er zich geen enkel storend voorwerp bevindt op de bewegende onderdelen van de machine.

Raadpleeg het hoofdstuk "Gebruik" voor informatie over het gebruik van de machine.

#### **5.5 Gevaar:**

Als er gevaar is voor de gebruiker of voor de machine, moet u de hoofdschakelaar gebruiken om de stroomtoevoer naar de machine te onderbreken (fig.4, n°23, 25).

Haal de stekker uit het stopcontact vooraleer u onderhoud uitvoert.  
Raak de bladen niet aan, ook niet als ze stilstaan.

De bladen mogen allen worden vervangen door uw erkende verdeler.

Draag altijd snijbestendige veiligheidshandschoenen tijdens de vervanging van de bladen of tijdens een handeling in de buurt van de bladen.

Elk onderhoud of vervanging van een onderdeel moet door een bevoegde persoon worden uitgevoerd.

---

## 6 **BEDIENINGS- EN VEILIGHEIDSPANEEL**

---

### 6.1 **Bedieningspaneel:**

Uw snijmachine is standaard uitgerust met de volgende knoppen:

- Een startknop die de beweging van de bladen en de beweging van de toevoerbanden bedient (fig.4, n°29).
- Een stopknop (fig.4, n°28).
- Twee noodstopknoppen (fig.4, n°23, 25).
- Een potentiometer voor de afstelling van de snelheid van de aandrijving van de banden (fig.4, n°30).
- Een startknop en een noodstopknop voor de zakopblazer (FLD) (fig.4, n°27).
- Twee knoppen die de hoogte van de bovenste toevoerband regelen (fig.4, n°26).
- Een uurteller voor snij-acties (fig.4, n°24).
- Een hendel waarmee het laatste brood uit de bladen kan worden gehaald (fig.4, n°21).
- Een afstelkruk voor de laterale geleiders (fig.4, n°20).
- Een achteruitgaknop voor de toevoerbanen (fig.4, n°22).

### 6.2 **Werkzone:**

De laadzone bevindt zich achter de machine (fig.3, n°16).

De instelzone bevindt zich vooraan en aan de linkerkant van de machine (fig.3, n°17, 18).

De opvangzone bevindt zich vooraan de machine (fig.3, n°18).

### 6.3 **Veiligheidsvoorzieningen:**

Deze machine is uitgerust met:

**Twee noodstoppen die bij inschakeling de machine stoppen** (fig.4, n°23, 25).

**Een gecodeerde magnetische sensor op de deur vooraan die de machine stopt wanneer de deur wordt geopend** (fig.13, n°35).

---

## 7 **GEBRUIK**

---

Voor het gebruik moeten de met een rem uitgeruste zwenkwielen worden vastgezet (fig.1, n°6).

**Zet de machine in het begin van de dag onder spanning met de noodstoppen** (fig.4, n°23,25).

### **Gebruiksprocedure (fig.5,6)**

- A. Stel de laadhellinggeleiders af met behulp van de afstelwielletjes (optie), stel de geleiders van de toevoerbaan af met de regelkruk aan de linkerkant zodat ze aangepast zijn aan de lengte van het te snijden brood. En stel de geleiders van de afvoerbanden af als uw machine uitgerust is met een gemotoriseerde afvoerband (FMD).
- B. Stel de broodpers af met de knoppen (fig.4, n°26) zodat die aangepast is aan de hoogte van het te snijden brood.
- C. Plaats het brood op de laadhelling (optie) of op de toevoerband.
- D. Druk op de groene knop om de machine te starten. De bladen starten en de banden zetten zich in beweging. Regel de doorvoersnelheid van de banden met behulp van de potentiometer (fig.4, n°30).

- E. Wanneer het laatste brood zich tussen de bladen bevindt, gebruikt u de hendel om het laatste brood uit de bladen te laten komen. Haal het brood van de afvoerplank (FLD) of van de afvoerband (FMD).

Druk op de witte knop om uw opblazer tevoorschijn te laten komen (fig.7) (FLD)

Druk op het einde van de dag op de rode **noodstopknoppen** (fig.4, n°23, 25) om de machine uit te schakelen.

**Advies:** Laat na de eerste werkdagen de spanning van de bladen nakijken door een bevoegd persoon.

**Capaciteit:** Aantal gesneden broden per uur: 1000 (afhankelijk van het broodtype).

Max. afmetingen van het brood (b x h) (cm): max. 52 x 16

Min. afmetingen van het brood (b x h) (cm) : min. 12 x 6

---

## 8 ONDERHOUD

---

### 8.1 Dagelijks door een opgeleide gebruiker.

- A. Controleer of u de kruimelbakken niet moet leegmaken.
- B. Maak de plank en de helling met een borstel schoon.
- C. Gebruik een droge doek om de binnenkant schoon te maken.
- D. Gebruik een vochtige doek om de buitenkant schoon te maken.
- E. Maak de banden schoon met een vochtige doek.

### 8.2 Om de 25.000 snij-acties en/of minimaal één keer per jaar door een erkende verdeler.

- A. Haal de stekker uit het stopcontact.
  - B. Controleer de staat van de snijbladen.
  - C. Als de snijkwaliteit daalt, vervang dan de snijbladen (JAC-referentie: 6110019 in de reserveonderdelencatalogus van JAC)
  - D. Als ze moeten worden vervangen, vervang de bladen dan conform de vervangingsprocedure voor snijbladen (§8.3)
- NB: Span de bladen niet overmatig, dit kan de kaders vervormen.
- E. Borstel en stofzuig de binnenkant van de machine.
  - F. Controleer de staat van de lagers en smeer ze.

Controleer goed of uw erkende verdeler zijn interventie in uw onderhoudsboekje heeft genoteerd zodat u uw garantie van vijf jaar behoudt.

### 8.3 Vervanging van de bladen

(fig.8.9).

Draag altijd snijbestendige veiligheidshandschoenen (norm EN 388: 2003 index B= 5) en veiligheidsschoenen tijdens de vervanging van de bladen of tijdens een handeling in de buurt van de bladen.

Nadat u er zeker van bent dat de stekker van uw machine uit het stopcontact is getrokken.

- A. Draai de bevestigingsschroef van de broodplank los. Herhaal deze handeling op de machines met twee broodplanken (FMD).
- B. Draai de twee bevestigingsschroeven van de kap los.





- C. Open de kap. Draai de vier bevestigingsschroeven van de plank vooraan los (FLD). Als uw machine uitgerust is met een afvoerband (FMD), draai dan de acht bevestigingsschroeven van de band los.
- D. Trek de plank (FLD) of de afvoerband weg en koppel de verbinding los (FMD).
- E. Draai op het bovenste deel van het kader vooraan de schroeven **A** los die het kader aan de polypropyleen lamellen bevestigen (demonteer nooit de lamellen van het geraamte, u loopt het risico de fabrieksinstellingen te wijzigen).
- F. Haal het kader naar voren. Vervang de bladen van het kader achteraan (plaats iets om u te beschermen tegen de bladen van het kader vooraan). Draai de contra moeren op de schroeven **B** los. Draai de schroeven **B** met holle binnenzeskant los die de bladen spannen. Vervang de bladen en ga daarbij na of ze goed worden geplaatst in de stift van de persen. Span de bladen opnieuw aan door de schroeven **B vast te draaien**, waarbij de bladen op het kader blijven als merkteken voor de spanning. Draai vervolgens de moeren vast (machine uitgerust met smeringoptie).

**Om het kader niet te vervormen en geen risico op gevaarlijke breuken te lopen, mag u slechts 1 tot 3 bladen tegelijkertijd vervangen en moet u links en rechts afwisselen.**

Herbegin de procedure vanaf punt F. voor het kader vooraan en plaats het kader vooraan evenals de afwerkingselementen terug op hun plaats. Zorg er bij het opnieuw in elkaar zetten goed voor dat de plank vooraan onder de plank achteraan ter hoogte van de bladen schuift.

Steek de stekker van de machine in het stopcontact. De machine is klaar.

Controleer goed of uw erkende verdeler zijn interventie in uw onderhoudsboekje heeft genoteerd zodat u uw garantie van vijf jaar behoudt.

---

## 9 VERBRUIKSGOEDEREN

---

Ga bij de bestelling van een reserveonderdeel met uw verdeler na om welk stuk het gaat op basis van de reserveonderdelencatalogus van de fabrikant.

Geef altijd het machinenummer op zoals vermeld op het identificatieplaatje.

Uw verdeler voert de bestellingen uit bij JAC.

### 9.1 Lijst met VERBRUIKSGOEDEREN

ARTIKELCODE	OMSCHRIJVING	MODEL
7240032	RIEM	ALLE
5690020	KADERLAMELLEN	ALLE
6110019	JAC-MES 13 MM/0,7 MM	ALLE
7250005	BAND ONDERAAN GEKARTELD	ALLE
7250006	BAND BOVENAAN GEKARTELD	ALLE
7250014	GLADDE AFVOERBAND	FULL 520 T3

Probleem	Controle
<b>De machine werkt niet</b>	Sluit de machine met een kabel op het stopcontact aan.
	Ontgrendel de noodstop (fig.4, n°23,25).
	Neem contact op met uw erkende verdeler als het groene controlelampje knippert.
	Sluit de deur vooraan.
<b>De machine werkt maar het brood wordt beschadigd of onregelmatig gesneden</b>	Controleer of de bladen niet moeten worden vervangen (§8.3)
	Laat het brood enkele uren afkoelen.
	Plaats brood met toegelaten afmetingen.
	Plaats een redelijk stevig brood.
<b>Het brood trilt in de bladen</b>	Als de bladen niet goed zijn uitgelijnd, stel dan de bladen en kaders af.
<b>Het brood wordt te traag gesneden</b>	Als de bladen niet goed zijn uitgelijnd, stel dan de bladen en kaders af.
<b>Het brood wordt stukgescheurd</b>	Controleer of de bladen niet moeten worden vervangen (§8.3)
	Als de bladen niet goed zijn uitgelijnd, stel dan de bladen en kaders af.
	Neem contact op met uw erkende verdeler als het groene controlelampje knippert.
<b>Het brood komt traag naar buiten of blijft in de bladen</b>	Controleer of de hendel voor het duwen van het laatste brood goed is ingeschakeld.
<b>Het brood wordt bij het verlaten van de bladen verpletterd</b>	Controleer of de hendel voor het duwen van het laatste brood goed is ingeschakeld.

**OPGELET:** Bij elke tussenkomst moet de machine verplicht worden uitgeschakeld.



Als het probleem zich blijft voordoen, neem dan contact op met uw technicus.

## 11 LIJST MET ONDERDELEN OP DE AFBEELDINGEN

Afbeelding	Nummer	Naam
1	1	Bedieningspaneel
	2	Broodplank
	3	Zakopblazer
	4	Afvoerband
	5	Kruimelbak
	6	Wieltjes met rem
	7	Afstelwiel voor de laadgeleiders
	8	Laadhelling
	9	Laadgeleiders
	10	Gemotoriseerde band
	11	Geleider van toevoerband
	12	Plaat van de toegang tot de schakelkast
2	13	Uitvoerband met motoraandrijving
	14	Geleider van afvoerband
	15	Afstelwiel van de geleiders van de afvoerband
3	16	Laadzone
	17	Afstelzone
	18	Afstel- en loszone
4	19	Afstelwiel voor de laadgeleiders
	20	Afstelhendel van interne geleiders
	21	Hendel voor de duwer van het laatste brood
	22	Startknoppen achterkant van banden
	23	Noodstopknop
	24	Snijteller
	25	Noodstopknop
	26	Afstelknoppen van broodklem
	27	Startknop van de zakopblazer
	28	Stopknop
	29	Startknop
30	Potentiometer voor het afstellen van de snelheid van de banden	
10	31	Plaatje "gevaar voor stroomonderbreking"
	32	Plaatje "gevaar voor elektrocutie"
	33	Elektrisch schema
11	34	Verstelbare aanslag van de broodplank
13	35	Gecodeerde magnetische beveiliging

1	ПЕРЕД ВВОДОМ В ЭКСПЛУАТАЦИЮ.....	54
2	ГАРАНТИЯ .....	54
3	ПРЕДУПРЕЖДЕНИЯ .....	55
4	ТЕХНИЧЕСКИЕ ХАРАКТЕРИСТИКИ .....	56
4.1	Технические характеристики.....	56
4.2	Подробности о материалах, находящихся в непосредственном контакте с хлебом.....	57
5	УСТАНОВКА И ВВОД В ЭКСПЛУАТАЦИЮ.....	57
5.1	Распаковка машины.....	57
5.2	Место установки .....	57
5.3	Электрическое подключение .....	57
5.4	Ввод в эксплуатацию.....	58
5.5	Опасность .....	58
6	ОРГАНЫ УПРАВЛЕНИЯ И ПРЕДОХРАНИТЕЛЬНЫЕ УСТРОЙСТВА.....	59
6.1	Органы управления.....	59
6.2	Рабочая зона .....	59
6.3	Предохранительные устройства.....	59
7	ЭКСПЛУАТАЦИЯ .....	59
8	ТЕХНИЧЕСКОЕ ОБСЛУЖИВАНИЕ .....	60
8.1	Ежедневное, выполняется пользователем, прошедшим подготовку.....	60
8.2	Через каждые 25 000 нарезок и (или) не реже 1 раза в год; выполняется аккредитованным специалистом.....	60
8.3	Замена лезвий.....	61
9	РАСХОДНЫЕ МАТЕРИАЛЫ .....	62
9.1	Список РАСХОДНЫХ МАТЕРИАЛОВ .....	62
10	НЕПОЛАДКИ В РАБОТЕ .....	63
11	СПИСОК КОМПЛЕКТУЮЩИХ НА ИЗОБРАЖЕНИЯХ.....	64

## 1 ПЕРЕД ВВОДОМ В ЭКСПЛУАТАЦИЮ

Благодарим за то, что выбрали компанию JAC. Перед установкой машины и ее вводом в эксплуатацию обязательно прочтите настоящее руководство. Таким образом вы сможете защитить себя и избежать повреждений машины.

В настоящем руководстве содержатся ссылки на различные изображения, облегчающие понимание инструкций. Эти изображения находятся в конце руководства. Обращайтесь к ним, когда встретите в тексте обозначения следующего вида: (fig.X, n°Y).

**Для обеспечения бесперебойной работы машины в будущем предлагаем ознакомиться с представленными ниже правилами.**

— Для установки машины, ее ввода в эксплуатацию и контроля работы обращайтесь к аккредитованному специалисту.

— Чтобы на машину подействовала 5-летняя гарантия (см. необходимые условия далее), дистрибьютор должен заполнить журнал технического обслуживания при установке машины. Журнал технического обслуживания находится с тыльной части машины.

## 2 ГАРАНТИЯ



**Компания JAC предоставляет 5-летнюю гарантию на всю свою продукцию.**

Гарантия распространяется на все детали машины, в том числе электронные, кроме расходных материалов. Гарантия вступает в силу с даты установки оборудования.

**Гарантия действует при соблюдении следующих ограничительных условий:**

- Приобретение оборудования у аккредитованного дистрибьютора.
- Выполнение установки аккредитованным специалистом.
- Использование оборудования в соответствии с указаниями в руководстве по эксплуатации и по назначению, предусмотренному при производстве.
- Ежедневное обслуживание оборудования в соответствии с указаниями в руководстве по эксплуатации.
- Выполнение технического обслуживания аккредитованным специалистом в соответствии с требованиями по техническому обслуживанию не реже одного раза в год (производится за счет пользователя).
- Использование исключительно оригинальных деталей компании JAC.



**При отсутствии контроля технического обслуживания со стороны аккредитованного специалиста и (или) в случае неправильного ведения журнала технического обслуживания действие гарантии ограничивается одним годом.**

**Гарантия не распространяется:**

- На замену расходных материалов (§9).
- На детали, признанные неисправными не нашей компанией.
- На проблемы, возникшие вследствие неправильной эксплуатации оборудования.

— На проблемы, возникшие вследствие установки машины не аккредитованным специалистом.

— На детали или проблемы, связанные с нанесением ущерба во время транспортировки или ненадлежащим обращением при погрузочно-разгрузочных работах.

**Ремонт и (или) замена неисправных деталей, выполненные в течение гарантийного периода, не могут послужить причиной продления данной гарантии.**

---

### **3 ПРЕДУПРЕЖДЕНИЯ**

---

Настоящее руководство следует сохранить для получения справочной информации при дальнейшей эксплуатации машины. В случае продажи или передачи машины другому лицу следует удостовериться, что руководство по эксплуатации передается вместе с ней, чтобы пользователь мог получить информацию о ее работе и связанных с ней предупреждениях.



**Предупреждения изложены для обеспечения вашей безопасности и безопасности других лиц. Просим вас внимательно прочесть эти предупреждения перед установкой и эксплуатацией машины.**

Машина разработана для использования совершеннолетними лицами с соответствующим разрешением. Поэтому нужно следить за тем, чтобы дети не прикасались к машине и не использовали ее в качестве игрушки.

Машина предназначена исключительно для использования в рабочих целях.

Опасно вносить изменения в характеристики машины или предпринимать соответствующие попытки.

После установки машины убедитесь в том, что она не стоит на кабеле электроснабжения.

Соблюдайте данные инструкции по эксплуатации.

Машина должна храниться и использоваться в помещении, защищенном от сырости и жары.

Машина должна быть достаточно освещена для выполнения работы.

Уровень шума машины ниже 75 дБ(А) согласно стандарту EN ISO 3744.

Машина не должна использоваться несколькими операторами параллельно (если не предписано иное).

Данная машина предназначена для нарезки печеного и выдержанного хлеба.



**Данная машина не предназначена для следующих материалов и видов хлеба:**

- Горячий хлеб, черствый хлеб.
- Замороженный или частично размороженный хлеб.
- Цельнозерновой хлеб с твердой коркой и другие виды хлеба с твердой коркой.
- Ржаной хлеб.

- Несъедобные изделия из древесины, пластмассы и аналогичных материалов.
- Любые продукты питания, не входящие в категорию хлебных или кексовых изделий.

**Нарезка перечисленных видов хлеба или материалов может привести к повреждению машины.**



**Всегда отключайте машину от сети электропитания перед выполнением чистки внутренних/внешних поверхностей и операций по техническому обслуживанию.**

Машина тяжелая. Принимайте все необходимые меры предосторожности при транспортировке и погрузочно-разгрузочных работах.

## **4 ТЕХНИЧЕСКИЕ ХАРАКТЕРИСТИКИ**

### **4.1 Технические характеристики**

	<b>Full 520 T2</b>	<b>Full 520 T3</b>
<b>Высота (мм)</b>	1250	1250
<b>Высота с загрузочной рампой (опция) (мм)</b>	1658	1658
<b>Ширина (мм)</b>	1164	844
<b>Глубина (мм)</b>	1971	2266
<b>Глубина с загрузочной рампой (опция) (мм)</b>	2655	2951
<b>Ширина входного канала (мм)</b>	520	520
<b>Высота входного канала (мм)</b>	160	160
<b>Упаковка (мм)</b>	950 x 2160 x 1800	950 x 2410 x 1800
<b>Масса нетто (кг)</b>	365	385
<b>Масса нетто + упаковка (кг)</b>	400	420
<b>Мощность мотора (кВт)</b>	1,1	1,1
<b>Тип мотора</b>	Однофазный или трехфазный	Однофазный или трехфазный
<b>220 В, 50 Гц (А)</b>	5	5
<b>380 В, 50 Гц (А)</b>	3,2	3,2
<b>Производительность (буханок/час)</b>	200 < 500	200 < 500
<b>Уровень шума (дБ)</b>	< 75	< 75

<b>Загрузочная рампа</b>	опция
<b>Специальные ножи</b>	опция



#### **4.2 Подробности о материалах, находящихся в непосредственном контакте с хлебом.**

**Загрузочная рампа:** НЕРЖ. 430

**Толкатель последней буханки:** НЕРЖ. 430

**Пресс для буханок:** НЕРЖ. 430

**Лезвия:** сталь

**Приводная лента для буханок:** ПВХ

**Отводящая лента ТЗ:** полиуретан

**Выходная полка:** НЕРЖ. 430

---

## **5 УСТАНОВКА И ВВОД В ЭКСПЛУАТАЦИЮ**

### **5.1 Распаковка машины**

Машины из наших цехов поставляются на поддонах, закрепленные ремнями и в защитном деревянном ящике. Прежде всего следует осмотреть упаковку на предмет наличия повреждений, полученных во время транспортировки, и сообщить о них непосредственно экспедитору.

- A. Удалите деревянный ящик и упаковочный пакет машины. Если машина оборудована загрузочной рампой (опция), извлеките ее из верхней части станка и распакуйте.
- B. Снимите ремни, обратив особое внимание на их ослабление при разрезании.
- C. Открепите машину от поддона, сняв деревянные рейки, фиксирующие колесики.
- D. Снимите машину с поддона. В этой операции должны участвовать не менее двух человек для обеспечения максимально плавного соприкосновения машины с полом.
- E. Установите на место регулируемый упор устройства для упаковки в пакеты (fig.11, n°34).
- F. Установите загрузочную рампу (опция), если машина оборудована таковой (fig.12).

**После распаковки машины убедитесь, что она не подвергалась повреждениям во время транспортировки. Сообщайте нам о любых дефектах.**

### **5.2 Место установки**

Для обеспечения долгосрочной высокой производительности и надежности машины следует правильно выбрать место установки.

Оно должно быть хорошо проветриваемым, защищенным от воздействия прямых солнечных лучей, удаленным от источников тепла, с ровной и прочной поверхностью, не подвергающейся вибрации.

### **5.3 Электрическое подключение**

**ВАЖНО!** Обязательно наличие заземления.

Рекомендуется защитить электрическую установку с помощью плавкого предохранителя и дифференциального автоматического выключателя.

Электрическая установка, обеспечивающая питание машины, должна быть защищена следующим образом:

— Северная Америка: защита 15 А.

— Остальные страны: защита 16 А.

Машины, оборудованные регулятором скорости, обязательно должны подключаться к разветвительной коробке на линии с дифференциальным автоматом 300 мА.

Примечание. Любые проблемы, возникшие в связи с иным видом подключения, не будут покрываться гарантией.

Перед подключением машины к электросети и во избежание выхода мотора из строя в момент подключения следует убедиться в соответствии электросети характеристикам машины (см. заводской щиток).

Машина соответствует директивам о безопасности машин и оборудования 2006/42, 2006/95, 2004/108 и имеет подтверждающую маркировку ЕС.

Ознакомьтесь с пиктограммами техники безопасности, имеющимися на машине.



Пиктограмма, предупреждающая об опасности пореза. Она находится в передней и задней частях машины, рядом с зоной выгрузки и сбора хлеба. (fig.10, n°31)



Пиктограмма, предупреждающая об опасности поражения электрическим током. Отключайте машину перед выполнением любых работ. Пиктограмма находится сзади машины, рядом с кабелем питания и внутри машины на отсеке электрощитка. (fig.10, n°32)

Электросхема машины находится на дверце отсека электрощитка. (fig.10, n°33)

#### **5.4 Ввод в эксплуатацию**

Перед вводом в эксплуатацию убедитесь в отсутствии любых посторонних предметов на подвижных частях машины.

Для получения ответов на все вопросы, касающиеся эксплуатации машины, см. раздел «Эксплуатация».

#### **5.5 Опасность**

В случае возникновения опасности для пользователя или для машины следует отключить электропитание с помощью главного выключателя. (fig4, n°23, 25)

Извлеките штекер из электрической розетки перед выполнением любых операций по техническому или периодическому обслуживанию.

Не прикасайтесь к лезвиям, даже если машина выключена.

Для замены лезвий обратитесь к аккредитованному дистрибьютору.



Обязательно надевайте защитные перчатки, предохраняющие от порезов, при выполнении операций в непосредственной близости от лезвий или при их замене.

Все операции по техническому обслуживанию или замене деталей должны осуществляться квалифицированным сотрудником.

---

## **6 ОРГАНЫ УПРАВЛЕНИЯ И ПРЕДОХРАНИТЕЛЬНЫЕ УСТРОЙСТВА**

---

### **6.1 Органы управления**

Хлеборезка серийно оборудована следующими органами управления:

- кнопкой «Пуск», приводящей в движение лезвия и приводные ленты (fig.4, н°29);
- кнопкой «Стоп» (fig.4, н°28);
- двумя кнопками аварийного останова (fig.4, н°23, 25);
- потенциометром регулировки скорости привода лент (fig.4, н°30);
- кнопкой включения и выключения воздухоподушки для упаковки в пакеты (FLD) (fig.4, н°27);
- двумя кнопками регулировки высоты верхней приводной ленты (fig.4, н°26);
- счетчиком наработанных часов нарезки (fig.4, н°24);
- рычагом, обеспечивающим выталкивание последней буханки из лезвий (fig.4, н°21);
- ручкой регулировки боковых направляющих (fig.4, н°20);
- кнопкой обратного хода приводных лент (fig.4, н°22).

### **6.2 Рабочая зона**

Загрузочная зона находится позади машины (fig.3, н°16).

Зона регулировки находится спереди и с левой стороны машины (fig.3, н°17, 18).

Зона приемки находится перед машиной (fig.3, н°18).

### **6.3 Предохранительные устройства**

Оборудование на данной машине:

**Два аварийных останова, выключающие машину при приведении их в действие.** (fig.4, н°23, 25)

**Магнитный кодированный датчик, расположенный на передней дверце, выключающий машину при открытой дверце.** (fig.13, н°35)

---

## **7 ЭКСПЛУАТАЦИЯ**

---

Перед началом эксплуатации колесики, оснащенные тормозом, должны быть заблокированы. (fig.1, н°6)

**В начале рабочего дня машину следует включить с помощью кнопок аварийного останова.**  
(fig.4, н°23, 25)

**Порядок эксплуатации (fig.5, 6)**

- А. Отрегулируйте направляющие загрузочной рампы с помощью колесиков (опция), отрегулируйте направляющие входной ленты с помощью регулировочной ручки, расположенной с левой стороны, чтобы они подходили по длине нарезаемым буханкам,

отрегулируйте направляющие отводящей ленты, если машина оборудована механизированной отводящей лентой (FMD).

- V. Отрегулируйте пресс для буханок (fig.4, n°26), чтобы он подходил по высоте нарезаемым буханкам.
- C. Загрузите буханки в загрузочную рампу (опция) или на входную ленту.
- D. Нажмите на зеленую кнопку, чтобы запустить машину. Лезвия и ленты начнут двигаться. Настройте скорость движения лент с помощью потенциометра (fig.4, n°30).
- E. После того как на лезвия ляжет последняя буханка, надавите на рычаг толкателя последней буханки, чтобы вытолкнуть ее из лезвий. Заберите буханки с выходной полки (FLD) или отводящей ленты (FMD).

Для включения воздухоудвки нажмите на белую кнопку (fig.7) (FLD).

В конце рабочего дня нажмите на красные кнопки **аварийных остановов** (fig.4, n°23, 25), чтобы отключить электропитание машины.

**Рекомендация.** После первых дней эксплуатации поручите квалифицированному специалисту проверить натяжение лезвий.

**Производительность.** Количество буханок, нарезаемых в час: 1000 (в зависимости от типа хлеба).

Размеры буханки (Д x В) (см): макс. 52 x 16.

Размеры буханки (Д x В) (см): мин. 12 x 6.

---

## **8 ТЕХНИЧЕСКОЕ ОБСЛУЖИВАНИЕ**

---

### **8.1 Ежедневное, выполняется пользователем, прошедшим подготовку.**

- A. Проверьте заполненность баков для крошек.
- V. Очистите полки и загрузочную рампу с помощью щетки.
- C. Протрите сухой салфеткой внутренние поверхности.
- D. Протрите влажной салфеткой внешние поверхности.
- E. Протрите ленты влажной салфеткой.

### **8.2 Через каждые 25 000 нарезок и (или) не реже 1 раза в год; выполняется аккредитованным специалистом.**

- A. Извлеките штекер из розетки.
- V. Проверьте состояние режущих лезвий.
- C. При констатации снижения качества нарезки закажите замену режущих лезвий (артикул JAC: 6110019 в каталоге запасных частей компании JAC).
- D. Если лезвия подлежат замене, эта операция должна быть выполнена в соответствии с процедурой режущих лезвий (§8.3).

**ОБРАТИТЕ ВНИМАНИЕ!** Натяжка лезвий не должна быть избыточной, это может привести к деформации рамок.

- E. Очистите внутренние поверхности машины с помощью щетки и пылесоса.
- F. Проверьте состояние подшипников, смазку подшипников.

Проверьте внесение аккредитованным специалистом записей о выполненной работе в журнал технического обслуживания для сохранения 5-летней гарантии.

### 8.3 Замена лезвий

(fig.8, 9)

Обязательно надевайте защитные перчатки, предохраняющие от порезов (стандарт EN 388: 2003, индекс В = 5), и защитную обувь во время выполнения замены лезвий или операций в непосредственной близости от лезвий.

Убедившись, что штекер машины отсоединен от электросети, выполните следующие действия.

- A. Открутите винты, фиксирующие устройство для упаковки в пакеты. Повторите ту же операцию на машинах с двумя устройствами для упаковки в пакеты (FMD).
- B. Открутите 2 винта, фиксирующие кожух.
- C. Откройте кожух. Открутите 4 винта, фиксирующие переднюю полку (FLD). Если машина оборудована отводящей лентой (FMD), открутите 8 винтов, фиксирующих ленту.
- D. Снимите полку (FLD) или отводящую ленту и отсоедините ее (FMD).
- E. В верхней части передней рамки ослабьте винты **A**, удерживающие рамку на полипропиленовых пластинках (запрещено снимать пластинки с каркаса из-за риска нарушения заводских настроек).
- F. Уложите рамку вперед. Замените лезвия задней рамки (накройте чем-нибудь лезвия передней рамки, чтобы не порезаться). Ослабьте контргайки на винтах **B**. Ослабьте винты **B** с 6-гранным углублением под торцевой ключ, обеспечивающие натяжение лезвий. Замените лезвия, следя за тем, чтобы они правильно расположились в выступах противовесов. Восстановите натяжение лезвий, затянув винты **B**, используя в качестве ориентира ножи, оставшиеся на рамке. После этого зажмите гайки (на машинах, оборудованных опцией смазывания).

**Во избежание деформации рамки и опасных поломок одновременно следует заменять не более 1–3 лезвий, чередуя левую и правую стороны.**

Выполните ту же процедуру начиная с пункта F для передней рамки и установите ее на место вместе с другими элементами корпуса машины. При обратном монтаже убедитесь, что передняя полка проходит под задней на уровне лезвий.

Подключите машину к электросети. Машина готова к работе.

Проверьте внесение аккредитованным специалистом записи о выполненной работе в журнал технического обслуживания для сохранения 5-летней гарантии.

---

## 9 РАСХОДНЫЕ МАТЕРИАЛЫ

---

При заказе запасной части проверьте вместе с аккредитованным специалистом, о какой детали идет речь, по каталогу запасных частей, выпускаемому производителем.

Всегда уточняйте номер машины, указанный на заводском щитке.

Заказ в компании JAC может разместить ваш аккредитованный специалист.

### 9.1 Список РАСХОДНЫХ МАТЕРИАЛОВ

ITEM CODE	DESCRIPTION	MODEL
7240032	BELT	ALL
5690020	FRAME STRIP	ALL
6110019	JAC KNIFE, 13 MM/0.7 MM	ALL
7250005	LOWER TOOTHED BELT	ALL
7250006	UPPER TOOTHED BELT	ALL
7250014	SMOOTH OUTFEED BELT	FULL 520 T3

Проблема	Проверка
<b>Машина не работает</b>	Подключить машину с помощью кабеля.
	Разблокировать аварийный останов (fig.4, п°23, 25).
	Если мигает зеленый индикатор, обратиться к аккредитованному специалисту.
	Закреть переднюю дверцу.
<b>Машина работает, но буханки разрушаются или нарезаются неровно.</b>	Проверить, не нужно ли заменить лезвия (§8.3).
	Дать хлебу остыть несколько часов.
	Загрузить буханку подходящих размеров.
	Загрузить достаточно твердую буханку.
	Если лезвия сместились, отрегулировать лезвия и рамки.
<b>Буханка вибрирует между лезвиями.</b>	Если лезвия сместились, отрегулировать лезвия и рамки.
<b>Хлеб нарезается слишком медленно.</b>	Проверить, не нужно ли заменить лезвия (§8.3).
<b>Буханка разрывается.</b>	Если лезвия сместились, отрегулировать лезвия и рамки.
	Проверить, не нужно ли заменить лезвия (§8.3).
<b>Буханка выходит слишком медленно или остается между лезвиями.</b>	Если мигает зеленый индикатор, обратиться к аккредитованному специалисту.
	Убедиться, что нажат рычаг толкателя последней буханки.
<b>Буханка выходит из лезвий раздавленной.</b>	Убедиться, что нажат рычаг толкателя последней буханки.

**ВНИМАНИЕ!** Перед выполнением любых ремонтных работ машина должна быть отключена от электроснабжения.



Если проблема не устраняется, обратитесь к вашему техническому специалисту.

## 11 СПИСОК КОМПЛЕКТУЮЩИХ НА ИЗОБРАЖЕНИЯХ

Изображение	Номер	Название
1	1	Панель управления
	2	Устройство для упаковки в пакеты
	3	Воздуходувка для открывания пакетов
	4	Выходная полка
	5	Бак для крошек
	6	Заблокированные колесики
	7	Колесико для регулировки направляющих загрузочной рампы
	8	Загрузочная рампа
	9	Направляющие загрузочной рампы
	10	Механизированная лента
	11	Направляющая загрузки ленты
	12	Пластина доступа к электрощитку
2	13	Механизированная отводящая лента
	14	Направляющая отводящей ленты
	15	Колесико для регулировки направляющих отводящей ленты
3	16	Зона загрузки
	17	Зона регулировки
	18	Зона регулировки и выгрузки
4	19	Колесико для регулировки направляющих загрузочной рампы
	20	Ручка регулировки внутренних направляющих
	21	Рычаг толкателя последней буханки
	22	Кнопка обратного хода лент
	23	Кнопка аварийного останова
	24	Счетчик нарезки
	25	Кнопка аварийного останова
	26	Регулировочные колесики прессы для буханок
	27	Кнопка включения воздуходувки для упаковки в пакеты
	28	Кнопка «СТОП»
	29	Кнопка «ПУСК»
30	Потенциометр регулировки скорости лент	
10	31	Пиктограмма «Опасность пореза»
	32	Пиктограмма «Опасность поражения электрическим током»
	33	Электросхема
11	34	Регулируемый упор устройства для упаковки в пакеты
13	35	Магнитное кодированное предохранительное устройство



<b>1</b>	<b>ANTES DE LA PUESTA EN SERVICIO .....</b>	<b>66</b>
<b>2</b>	<b>GARANTÍA .....</b>	<b>66</b>
<b>3</b>	<b>ADVERTENCIAS.....</b>	<b>67</b>
<b>4</b>	<b>CARACTERÍSTICAS TÉCNICAS .....</b>	<b>68</b>
4.1	Características técnicas .....	68
4.2	Detalle de materiales en contacto directo con el pan.....	68
<b>5</b>	<b>INSTALACIÓN Y PUESTA EN SERVICIO .....</b>	<b>69</b>
5.1	Desembalaje de la máquina: .....	69
5.2	Ubicación: .....	69
5.3	Conexión eléctrica: .....	69
5.4	Puesta en servicio:.....	70
5.5	Peligro: .....	70
<b>6</b>	<b>CUADRO DE CONTROL Y DE SEGURIDAD .....</b>	<b>71</b>
6.1	Cuadro de control: .....	71
6.2	Área de trabajo: .....	71
6.3	Cuadro de seguridad: .....	71
<b>7</b>	<b>USO .....</b>	<b>71</b>
<b>8</b>	<b>LIMPIEZA .....</b>	<b>72</b>
8.1	Diaria por un usuario formado.....	72
8.2	Cada 25 000 cortes y/o 1 vez al año como mínimo, por un agente autorizado .....	72
8.3	Cambio de las cuchillas.....	72
<b>9</b>	<b>CONSUMIBLES .....</b>	<b>74</b>
9.1	Lista de CONSUMIBLES .....	74
<b>10</b>	<b>INCIDENTES DE FUNCIONAMIENTO .....</b>	<b>75</b>
<b>11</b>	<b>LISTA DE COMPONENTES DE LAS FIGURAS .....</b>	<b>76</b>

## 1 ANTES DE LA PUESTA EN SERVICIO

---

Gracias por elegir una solución JAC. Lea con atención este manual de uso antes de instalar y poner en servicio esta máquina. De esta forma, usted puede protegerse y evitar el deterioro de su máquina.

Este manual hace referencia a distintas figuras con el fin de facilitar la comprensión de las instrucciones. Estas figuras se encuentran al final del manual. Consúltelas cuando vea los siguientes símbolos: fig.X, n°Y.

**Para que el funcionamiento de su máquina sea satisfactorio a lo largo de los próximos años, le invitamos a que lea los siguientes consejos:**

- Solicite ayuda a su agente autorizado para la instalación, la puesta en servicio y el seguimiento.
- Para poder beneficiarse de la garantía de 5 años (consulte las condiciones recogidas a continuación), solicite a su distribuidor que complete la tarjeta de mantenimiento al instalar su máquina. Esta tarjeta de mantenimiento se encuentra en la parte trasera de su máquina.

## 2 GARANTÍA

---



**JAC ofrece una garantía de 5 años en todos sus productos.**

Esta garantía es válida para todas las piezas de su máquina, incluidas las electrónicas, excluyendo los consumibles. La garantía entra en vigor a partir de la fecha de instalación del material.

**Con las siguientes condiciones restrictivas:**

- El material debe haberse adquirido a un revendedor autorizado.
- La instalación deberá efectuarla un agente autorizado.
- El material debe utilizarse conforme a las indicaciones del manual de uso y para la finalidad para la que ha sido fabricado.
- El mantenimiento diario del material debe efectuarse conforme a las indicaciones del manual de uso.
- El agente autorizado debe hacer un seguimiento del mantenimiento conforme a las especificaciones de mantenimiento, como mínimo, una vez al año (mantenimiento a cargo del usuario).
- Deben utilizarse exclusivamente piezas originales JAC.



**Si un agente autorizado no efectúa el seguimiento del mantenimiento y/o la tarjeta de mantenimiento no está cumplimentada correctamente, la garantía se limita a un año.**

**Esta garantía no cubre:**

- La sustitución de consumibles (§9).
- Las piezas que nuestros servicios no reconozcan como defectuosas.
- Los problemas derivados de un uso anormal del material.
- Los problemas derivados de una instalación no efectuada por un agente autorizado.

- Las piezas o los problemas causados por daños en el transporte o por un mantenimiento inadecuado.

**Una reparación y/o una sustitución de piezas defectuosas efectuadas durante el periodo de garantía no supondrá la prolongación de dicha garantía.**

---

### 3 ADVERTENCIAS

---

Es muy importante conservar este manual de uso junto con el aparato para futuras consultas. Si este aparato se vende o se transfiere a otra persona, asegúrese de que se le entrega también el manual de uso para que el usuario pueda estar informado de su funcionamiento y de las advertencias que se recogen aquí.



**Estas advertencias se dan por su seguridad y la de los demás. Le rogamos que las lea con atención antes de instalar y utilizar el aparato.**

Esta máquina está diseñada para su uso por adultos autorizados. Asegúrese de que los niños no la toquen o que no la usen como un juguete.

Esta máquina está destinada únicamente a un uso profesional.

Es peligroso modificar o intentar modificar las características de esta máquina.

Después de instalar la máquina, asegúrese de que no aplasta el cable de alimentación.

Siga las instrucciones de uso.

Esta máquina debe almacenarse y utilizarse dentro de un local, protegida de la humedad y del calor.

Esta máquina debe estar suficientemente iluminada para efectuar el trabajo.

Esta máquina tiene un nivel sonoro inferior a 75 dB(A) según la norma EN ISO 3744.

Esta máquina debe utilizarla una sola persona a la vez (salvo indicación contraria).

Esta máquina está diseñada para el corte de panes cocidos y templados.



**Esta máquina no está destinada a los siguientes panes y materiales:**

- Panes calientes, panes duros.
- Panes congelados o parcialmente descongelados.
- Panes completos con una corteza dura y otros tipos de pan con corteza dura.
- Panes de centeno.
- Productos no comestibles como la madera, el plástico y materiales similares.
- Cualquier otro alimento que no forme parte de la categoría de panes o bizcochos.

**La máquina puede sufrir daños al cortar panes o materiales no permitidos.**



**Desconecte siempre la toma de corriente antes de proceder a la limpieza interior y exterior del aparato y a las operaciones de mantenimiento.**

Este aparato es pesado. Tome todas las precauciones de seguridad durante su mantenimiento.

## 4 CARACTERÍSTICAS TÉCNICAS

### 4.1 Características técnicas

	Full 520 T2	Full 520 T3
Altura (mm)	1250	1250
Altura con rampa de carga (opcional) (mm)	1658	1658
Anchura (mm)	1164	844
Profundidad (mm)	1971	2266
Profundidad con rampa de carga (opcional) (mm)	2655	2951
Anchura del canal de entrada (mm)	520	520
Altura del canal de entrada (mm)	160	160
Embalaje (mm)	950 x 2160 x 1800	950 x 2410 x 1800
Peso neto (k)	365	385
Peso neto + embalaje (k)	400	420
Potencia del motor (kW)	1,1	1,1
Tipo de motor	Monofásico o trifásico	Monofásico o trifásico
220 v - 50 Hz (A)	5	5
380 v - 50 Hz (A)	3,2	3,2
Capacidad (panes/hora)	200<500	200<500
Nivel sonoro (dB)	<75	<75

Rampa de carga	Opcional
Cuchillas especiales	Opcional

### 4.2 Detalle de materiales en contacto directo con el pan.

Rampa de carga: INOX 430  
 Empujador del último pan: INOX 430  
 Rodillo: INOX 430  
 Cuchillas: Acero  
 Cinta de arrastre del pan: PVC  
 Cinta de salida T3: Poliuretano  
 Tabla de salida: INOX 430

### 5.1 Desembalaje de la máquina:

Las máquinas que salen de nuestros talleres se entregan en palés atados y protegidos por una caja de madera. Antes de realizar cualquier acción, debe observarse el embalaje e informar al transportista de cualquier daño debido al transporte.

- A. Quite la caja de madera y el plástico de embalaje de la máquina. Si su máquina está equipada con una rampa de carga (opcional), retírela de la parte superior de la máquina y desembálela.
- B. Quite las cinchas prestando especial atención a su distensión al seccionarlas.
- C. Separe la máquina del palé levantando los listones de madera que bloquean las ruedas.
- D. Baje la máquina del palé. Efectúe esta operación entre dos personas como mínimo para amortiguar al máximo el contacto con el suelo.
- E. Coloque el tope ajustable del embolsador en el embolsador (fig.11, n°34).
- F. Monte la rampa de carga (opcional) si la máquina está provista de ella (fig.12).

**Después de desembalar su máquina, compruebe que no ha sufrido daños durante el transporte. Infórmenos de cualquier anomalía.**

### 5.2 Ubicación:

Para obtener un rendimiento excelente y una fiabilidad a largo plazo, elija una ubicación que esté:

Bien ventilada, protegida de los rayos directos del sol y alejada de fuentes de calor, con una superficie plana y robusta y sin vibraciones.

### 5.3 Conexión eléctrica:

**IMPORTANTE:** La toma de tierra es obligatoria.

Es aconsejable proteger la instalación con un fusible y un disyuntor diferencial.

La instalación eléctrica que suministra energía a la máquina debe estar protegida tal y como se indica a continuación:

- América del Norte: Protección 15 A.

- Resto del mundo: Protección 16 A.

Las máquinas equipadas con un variador deben estar conectadas obligatoriamente a una caja de derivación en una línea equipada con un diferencial de 300 mA.

Nota: La garantía no cubrirá cualquier problema ocasionado por una conexión de otro tipo.

Antes de conectar su máquina a la red y con el fin de evitar una avería del motor al encenderla, es importante comprobar la adecuación de la red de alimentación a las características de la máquina (consulte la placa informativa de la máquina).

Este aparato cumple con las directivas sobre máquinas 2006/42, 2006/95 y 2004/108 y lleva el marcado CE que lo certifica.

Consulte los pictogramas de seguridad que figuran en la máquina:



Pictograma que indica un riesgo de corte. Lo encontrará en la parte delantera y trasera de la máquina, alrededor de la zona de colocación y recogida del pan (fig.10, n°31).



Pictograma que indica un riesgo de electrocución. Desconecte la máquina antes de hacer cualquier intervención. Lo encontrará en la parte trasera de la máquina, cerca del cable de alimentación y dentro de la máquina en la caja eléctrica (fig.10, n°32).

Encontrará el esquema eléctrico de la máquina en la puerta de la caja eléctrica (fig.10, n°33).

#### **5.4 Puesta en servicio:**

Antes de la puesta en servicio, asegúrese de que no queda ningún objeto sobrante en las partes en movimiento de la máquina.

Para utilizar la máquina, consulte el apartado «Uso».

#### **5.5 Peligro:**

En caso de peligro para el usuario o para la máquina, debe utilizar el interruptor general para cortar la alimentación de la máquina (fig.4, n°23,25).

Quite el enchufe de la toma de corriente antes de efectuar cualquier operación de mantenimiento y de limpieza.

No toque las cuchillas incluso si la máquina está parada.

Para cambiar las cuchillas, solicite la intervención de su distribuidor autorizado.

Lleve siempre guantes de protección anticorte al sustituir las cuchillas o cuando trabaje cerca de las cuchillas.

Cualquier operación de mantenimiento o de sustitución de piezas debe efectuarla una persona cualificada.

---

## 6 CUADRO DE CONTROL Y DE SEGURIDAD

---

### 6.1 Cuadro de control:

Su cortadora está equipada de serie con los siguientes botones:

- Un botón de puesta en marcha que acciona el movimiento de las cuchillas y el movimiento de las cintas de arrastre (fig.4, n°29).
- Un botón de detención (fig.4, n°28).
- Dos botones de detención de emergencia (fig.4, n°23,25).
- Un potenciómetro de ajuste de la velocidad de arrastre de las cintas (fig.4, n°30).
- Un botón de puesta en marcha y de detención del soplador embolsador (FLD) (fig.4, n°27).
- Dos botones de ajuste de la altura de la cinta superior de arrastre (fig.4, n°26).
- Un contador horario de corte (fig.4, n°24).
- Una palanca que permite evacuar el último pan de las cuchillas (fig.4, n°21).
- Una manivela de ajuste de las guías laterales (fig.4, n°20).
- Un botón de marcha atrás de las cintas de arrastre (fig.4, n°22).

### 6.2 Área de trabajo:

El área de carga está situada en la parte trasera de la máquina (fig.3, n°16)

El área de ajuste está situada en la parte delantera y en el lado izquierdo de la máquina (fig.3, n°17,18)

El área de recepción está situada en la parte delantera de la máquina (fig.3, n°18)

### 6.3 Cuadro de seguridad:

Esta máquina está equipada con:

**Dos sistemas de detección de emergencia que detienen la máquina al accionarlos (fig.4, n°23,25)**

**Un sensor magnético codificado situado en la puerta delantera que detiene la máquina al abrir la puerta (fig.13, n°35)**

---

## 7 USO

---

Para utilizar la máquina, las ruedas provistas de freno deben estar bloqueadas (fig.1, n°6)

**Al principio del día, encienda la máquina con ayuda de los botones de detención de emergencia (fig.4, n°23,25)**

### **Procedimiento de uso (fig.5,6)**

- A. Ajuste las guías de la rampa de carga con las llaves (opcional), ajuste las guías de la cinta de entrada con la manivela de ajuste situada en el lado izquierdo para adaptarlas a la longitud de los panes que se van a cortar y ajuste las guías de la cinta de salida si su máquina está equipada con una cinta de salida motorizada (FMD).
- B. Ajuste el rodillo con los botones (fig.4, n°26) para adaptarlo a la altura de los panes que se van a cortar.
- C. Cargue los panes en la rampa de carga (opcional) o en la cinta de entrada.

- D. Pulse el botón verde para poner en marcha la máquina, las cuchillas se pondrán en marcha y las cintas se pondrán en movimiento. Ajuste la velocidad de avance de las cintas con el potenciómetro (fig.4, n°30).
- E. Cuando entre el último pan en las cuchillas, accione la palanca del empujador del último pan para sacar las cuchillas. Recoja los panes de la tabla de salida (FLD) o de la cinta de salida (FMD).

Para controlar el soplador, pulse el botón blanco (fig.7) (FLD).

Al final del día, pulse uno de los botones rojos **de detención de emergencia** (fig.4, n°23,25) para apagar la máquina.

**Recomendación:** Después de los primeros días de trabajo, pida a una persona cualificada que compruebe la tensión de las cuchillas.

**Capacidad:** Número de panes cortados por hora: 1000 (según el tipo de pan).

Tamaño máx. del pan (l x anch.) (cm): máx. 52 x 16.

Tamaño mín. del pan (l x anch.) (cm): mín. 12 x 6.

---

## **8 LIMPIEZA**

### **8.1 Diaria por un usuario formado.**

- A. Compruebe si debe vaciar las bandejas de migas
- B. Limpie la tabla y la rampa con un cepillo
- C. Utilice un paño seco para limpiar el interior
- D. Para la limpieza exterior, utilice un paño húmedo
- E. Limpie las cintas con un paño húmedo

### **8.2 Cada 25 000 cortes y/o 1 vez al año como mínimo, por un agente autorizado**

- A. Quite el enchufe de la toma de corriente
  - B. Compruebe el estado de las cuchillas de corte
  - C. Si se percibe una bajada de la calidad de corte, es necesario sustituir las cuchillas de corte (referencia JAC: 6110019 del catálogo de Piezas de Recambio JAC)
  - D. Si se deben cambiar, hágalo de acuerdo con el procedimiento de cambio de las cuchillas de corte (§8.3)
- NOTA: No tense las cuchillas en exceso, ya que podría deformar los marcos.
- E. Limpie con un cepillo y aspire el interior de la máquina.
  - F. Compruebe el estado de los rodamientos y engráselos.

Compruebe que su agente autorizado registre su intervención en su tarjeta de mantenimiento para conservar su garantía de 5 años.

### **8.3 Cambio de las cuchillas.**

(fig.8,9)

Lleve siempre guantes de protección anticorte (Norma EN 388: 2003 índice B= 5) y calzado de seguridad al sustituir las cuchillas o cuando trabaje cerca de la cuchilla.

Asegúrese de que el enchufe de su máquina está desconectado de la corriente.



- A. Afloje el tornillo de sujeción del embolsador. Repita la operación en las máquinas con dos embolsadores (FMD).
- B. Afloje los 2 tornillos de sujeción del forro.
- C. Abra el forro. Afloje los 4 tornillos de sujeción de la tabla delantera (FLD). Si su máquina está equipada con una cinta de salida (FMD), afloje los 8 tornillos de sujeción de la cinta.
- D. Retire la tabla (FLD) o la cinta de salida y desconéctela (FMD).
- E. En la parte superior del marco delantero, afloje los tornillos **A** que sujetan el marco a las láminas de polipropileno (no desmonte nunca las láminas de la carcasa, ya que podría modificar los ajustes de fábrica).
- F. Empuje el marco hacia adelante. Sustituya las cuchillas del marco trasero (coloque algo para protegerse sobre las cuchillas del marco delantero). Afloje las contratueras de los tornillos **B**. Afloje los tornillos **B** hexagonales huecos que tensan las cuchillas. Sustituya las cuchillas comprobando que estén bien colocadas en los pasadores de los balancines. Vuelva a tensar las cuchillas apretando los tornillos **B**, teniendo como referencia para la tensión las cuchillas que han quedado en el marco. Luego, apriete las tuercas (máquina equipada con la opción de engrasado).

**Para no deformar el marco y evitar roturas peligrosas, sustituya solamente entre 1 y 3 cuchillas a la vez alternando de izquierda a derecha.**

Vuelva a empezar el procedimiento a partir del punto F para el marco delantero y vuelva a colocar el marco delantero y los elementos de protección. Al volver a montarla, compruebe que ha deslizado bien la tabla delantera bajo la tabla trasera a la altura de las cuchillas.

Conecte la máquina a la red eléctrica, la máquina está lista.

Compruebe que su agente autorizado registre su intervención en su tarjeta de mantenimiento para conservar su garantía de 5 años.

---

## 9 CONSUMIBLES

---

Al pedir una pieza de recambio, compruebe con su agente autorizado de qué pieza se trata con base en el catálogo de piezas de recambio del fabricante.

Indique siempre el número de máquina tal y como se indica en la placa informativa.

Su agente efectuará el pedido a JAC.

### 9.1 Lista de CONSUMIBLES

CÓDIGO DE ARTÍCULO	ETIQUETA	MODELO
7240032	CORREA	TODOS
5690020	LÁMINA DE MARCOS	TODOS
6110019	CUCHILLA JAC 13 MM/0,7 MM	TODOS
7250005	GUÍA INFERIOR DENTADA	TODOS
7250006	GUÍA SUPERIOR DENTADA	TODOS
7250014	GUÍA DE SALIDA LISA	FULL 520 T3

<b>Problema</b>	<b>Comprobación</b>
<b>La máquina no gira</b>	Conecte la máquina con el cable
	Desbloquee la detención de emergencia (fig.4, nº23,25)
	Contacte con su agente autorizado si el indicador verde parpadea
	Cierre la puerta delantera
<b>La máquina funciona, pero los panes están dañados o cortados de forma irregular</b>	Compruebe si es necesario sustituir las cuchillas (§8.3)
	Deje que el pan se enfríe unas horas
	Introduzca un pan con el tamaño adecuado
	Introduzca un pan lo suficientemente firme
	Si las cuchillas están desalineadas, ajuste las cuchillas y los marcos
<b>El pan vibra en las cuchillas</b>	Si las cuchillas están desalineadas, ajuste las cuchillas y los marcos
<b>El pan se corta demasiado lento</b>	Compruebe si es necesario sustituir las cuchillas (§8.3)
<b>El pan se rompe</b>	Si las cuchillas están desalineadas, ajuste las cuchillas y los marcos
	Compruebe si es necesario sustituir las cuchillas (§8.3)
	Contacte con su agente autorizado si el indicador verde parpadea
<b>El pan sale muy lentamente o se queda en las cuchillas</b>	Compruebe que la palanca del empujador del último pan está bien accionada
<b>El pan está aplastado al salir de las cuchillas</b>	Compruebe que la palanca del empujador del último pan está bien accionada

**ATENCIÓN:** Para cualquier intervención, la máquina deberá estar desenchufada obligatoriamente.



**Si el problema persiste, póngase en contacto con su técnico.**

## 11 LISTA DE COMPONENTES DE LAS FIGURAS

Figura	Número	Nombre
1	1	Cuadro de control
	2	Embolsador
	3	Soplador embolsador
	4	Tabla de salida
	5	Bandeja de migas
	6	Ruedas con freno
	7	Llave de ajuste de las guías de carga
	8	Rampa de carga
	9	Guías de carga
	10	Cinta motorizada
	11	Guía de carga de la cinta
	12	Chapa de acceso a la caja eléctrica
2	13	Cinta de salida motorizada
	14	Guía de la cinta de salida
	15	Llave de ajuste de las guías de la cinta de salida
3	16	Zona de carga
	17	Zona de ajuste
	18	Zona de ajuste y de descarga
4	19	Llave de ajuste de las guías de carga
	20	Manivela de ajuste de las guías internas
	21	Palanca del empujador del último pan
	22	Botones de marcha atrás de las cintas
	23	Botón de detención de emergencia
	24	Contador de corte
	25	Botón de detención de emergencia
	26	Botones de ajuste del rodillo
	27	Botón de puesta en marcha del soplador embolsador
	28	Botón de detención
	29	Botón de puesta en marcha
	30	Potenciómetro de ajuste de la velocidad de las cintas
10	31	Señal «riesgo de corte»
	32	Señal «riesgo de electrocución»
	33	Esquema eléctrico
11	34	Tope ajustable del embolsador
13	35	Seguridad magnética codificada

<b>1</b>	<b>PRIMA DELLA MESSA IN FUNZIONE.....</b>	<b>78</b>
<b>2</b>	<b>GARANZIA.....</b>	<b>78</b>
<b>3</b>	<b>AVVERTENZE.....</b>	<b>79</b>
<b>4</b>	<b>CARATTERISTICHE TECNICHE.....</b>	<b>80</b>
4.1	Caratteristiche tecniche.....	80
4.2	Dettaglio materiali a contatto con il pane.....	80
<b>5</b>	<b>INSTALLAZIONE E MESSA IN FUNZIONE.....</b>	<b>81</b>
5.1	Disimballo della macchina:.....	81
5.2	Posizionamento:.....	81
5.3	Collegamento elettrico:.....	81
5.4	Messa in servizio:.....	82
5.5	Pericolo:.....	82
<b>6</b>	<b>ORGANO DI COMANDO E DI SICUREZZA.....</b>	<b>83</b>
6.1	Organo di comando:.....	83
6.2	Zona di lavoro:.....	83
6.3	Organi di sicurezza:.....	83
<b>7</b>	<b>UTILIZZO.....</b>	<b>83</b>
<b>8</b>	<b>MANUTENZIONE.....</b>	<b>84</b>
8.1	Quotidiana da parte di un utilizzatore addestrato.....	84
8.2	Ogni 25.000 tagli e/o 1 volta l'anno almeno, da parte di un tecnico autorizzato.....	84
8.3	Sostituzione delle lame.....	84
<b>9</b>	<b>COMPONENTI DI CONSUMO.....</b>	<b>86</b>
9.1	Elenco dei COMPONENTI DI CONSUMO.....	86
<b>10</b>	<b>INCIDENTI DI FUNZIONAMENTO.....</b>	<b>87</b>
<b>11</b>	<b>ELENCO DEI COMPONENTI INDICATI NELLE FIGURE.....</b>	<b>88</b>

---

## 1 PRIMA DELLA MESSA IN FUNZIONE

---

Grazie per aver scelto una soluzione JAC. Si invita a leggere con attenzione queste note informative prima di procedere all'installazione e alla messa in servizio di questa macchina. Contengono informazioni su come proteggersi e come evitare il deterioramento della macchina.

Queste informazioni fanno riferimento a diverse figure, in modo da facilitare la comprensione delle istruzioni. Le figure si trovano al fondo delle informazioni. Si invita a farvi riferimento quando si incontrano i seguenti simboli (fig. X, n. Y).

**Per una totale soddisfazione dall'utilizzo della macchina nei prossimi anni, si invita a tenere presenti i seguenti consigli:**

- Farsi aiutare dal tecnico autorizzato per l'installazione, la messa in servizio e il follow-up.
- Per beneficiare della garanzia di 5 anni (vedere le condizioni riportate in seguito), far compilare dal distributore, il libretto di manutenzione al momento dell'installazione della macchina. Il libretto di manutenzione si trova nella parte posteriore della macchina.

---

## 2 GARANZIA

---



**JAC offre una garanzia di 5 anni su tutti i suoi prodotti.**

Questa garanzia è valida su tutte le parti della macchina, comprese quelle elettroniche, a parte i componenti di consumo. La garanzia entra in vigore a partire dalla data di installazione del materiale.

**Secondo le seguenti condizioni restrittive:**

- Materiale acquistato presso un rivenditore autorizzato.
- Installazione effettuata da un tecnico autorizzato.
- Utilizzo del materiale conformemente alle indicazioni sul modo di utilizzo e nel rispetto della finalità per la quale è stato fabbricato.
- Materiale quotidianamente mantenuto nel rispetto delle indicazioni delle modalità di utilizzo.
- Manutenzioni successive da parte del tecnico autorizzato conformemente alle specifiche di manutenzione con, al minimo, una manutenzione l'anno (manutenzione a carico dell'utente).
- L'utilizzo esclusivo di parti originali JAC.



**Se non si eseguono interventi di manutenzione da parte di un tecnico autorizzato e/o il libretto di manutenzione non è correttamente completato, la garanzia si limita ad un anno.**

**Questa garanzia non copre:**

- La sostituzione dei componenti di consumo (§9).
- Le parti non riconosciute difettose dai nostri servizi.
- I problemi derivanti da un utilizzo anomalo del materiale.
- I problemi derivanti da un'installazione non effettuata da un tecnico autorizzato.

- Le parti o i problemi derivanti da un danno di trasporto o da una manutenzione inadeguata.

**Una riparazione e/o una sostituzione di parti difettose effettuate durante il periodo di garanzia non producono l'effetto di prolungare detta garanzia.**

---

### 3 AVVERTENZE

---

È molto importante che le istruzioni per l'utilizzo siano conservate con l'apparecchio per ogni consultazione futura. Se questo macchinario deve essere venduto o trasferito ad un'altra persona, accertarsi che le istruzioni per l'utilizzo siano consegnate all'utente destinatario in modo che possa essere informato sul funzionamento e sui messaggi di avvertenza ad esso riferiti.



**Tali avvertenze sono fornite per la vostra sicurezza e per quella altrui. Si prega di leggerle con attenzione prima di installare e utilizzare il macchinario.**

Questa macchina è stata progettata per essere utilizzata da adulti autorizzati. Accertarsi quindi che i bambini non le si avvicinino e che non la utilizzino come un giocattolo.

Questa macchina è destinata unicamente ad un uso professionale.

È pericoloso modificare o provare a modificare le caratteristiche di questa macchina.

Accertarsi dopo averla installata, che non appoggi sul cavo di alimentazione.

Seguire le istruzioni fornite per l'utilizzo.

Questa macchina deve essere sistemata e utilizzata all'interno di un locale, al riparo da umidità e calore.

Deve essere illuminata a sufficienza per poter funzionare.

La macchina produce un livello di rumore inferiore a 75 dB(A), conforme alla norma EN ISO 3744.

La macchina deve essere utilizzata da una sola persona per volta (salvo prescrizioni contrarie).

Questa macchina è destinata al taglio del pane cotto e raffreddato.



**Questa macchina non è destinata ai seguenti materiali e tipi di pane:**

- Pane caldo, pane raffermo.
- Pane congelato, o parzialmente scongelato.
- Pane integrale con una crosta dura e altri tipi di pane a crosta dura.
- Pane di segale.
- Prodotti non commestibili come legno, plastica e materiali simili.
- Ogni alimento che non fa parte della categoria dei tipi di pane o delle torte.



**La macchina si può danneggiare con il taglio di pani o materiali non autorizzati.**

**Staccare sempre il cavo di alimentazione prima di procedere alla pulizia interna/esterna del macchinario e alle operazioni di manutenzione.**

Questo macchinario è pesante. Adottare tutte le precauzioni di sicurezza al momento della manutenzione.

## **4 CARATTERISTICHE TECNICHE**

### **4.1 Caratteristiche tecniche**

	<b>Full 520 T2</b>	<b>Full 520 T3</b>
<b>Altezza (mm)</b>	1250	1250
<b>Altezza con rampa di caricamento (opzionale) (mm)</b>	1658	1658
<b>Larghezza (mm)</b>	1164	844
<b>Profondità (mm)</b>	1971	2266
<b>Profondità con rampa di caricamento (opzionale) (mm)</b>	2655	2951
<b>Larghezza del canale d'ingresso (mm)</b>	520	520
<b>Altezza del canale d'ingresso (mm)</b>	160	160
<b>Imballaggio (mm)</b>	950 x 2160 x 1800	950 x 2410 x 1800
<b>Peso netto (kg)</b>	365	385
<b>Peso NETTO + imballaggio (kg)</b>	400	420
<b>Potenza motore (kW)</b>	1,1	1,1
<b>Tipo di motore</b>	Monofase o trifase	Monofase o trifase
<b>220v - 50Hz (A)</b>	5	5
<b>380v - 50Hz (A)</b>	3,2	3,2
<b>Capacità (forme di pane/ora)</b>	200<500	200<500
<b>Livello sonoro (dB)</b>	<75	<75

<b>Rampa di carico</b>	opzionale
<b>Coltelli speciali</b>	opzionale

### **4.2 Dettaglio materiali a contatto con il pane.**

**Rampa di carico:** INOX 430

**Spingi ultime forme di pane:** INOX 430

**Premipane:** INOX 430

**Lame:** Acciaio

**Nastro di scorrimento del pane:** PVC

**Nastro di uscita T3:** Poliuretano

**Ripiano d'uscita:** INOX 430





### 5.1 Disimballo della macchina:

Le macchine sono consegnate, franco fabbrica, su pallet, legate con cinghie e protette con una cassa in legno. Prima di tutto, occorre esaminare l'imballaggio e ogni danno dovuto al trasporto deve essere dichiarato direttamente all'addetto alla consegna.

- A. Smontare la cassa di legno e il sacchetto d'imballaggio dalla macchina. Se la macchina è dotata di rampa di caricamento (opzionale), staccarla dall'alto della macchina e sballarla.
- B. Togliere le cinghie facendo particolare attenzione allo sgancio di queste ultime durante il taglio.
- C. Staccare la macchina dal pallet togliendo i listelli di legno che bloccano le ruote.
- D. Far scendere la macchina dal pallet. Accertarsi di essere almeno in due per questa operazione per ammortizzare al meglio il contatto con il terreno.
- E. Posizionare il riscontro regolabile dell'insacchettatrice su quest'ultima (fig.11, n. 34)
- F. Montare la rampa di caricamento (opzionale) se la macchina ne è dotata (fig. 12).

**Dopo il disimballo della macchina, verificare che non abbia subito danni durante il trasporto. Segnalare ogni anomalia.**

### 5.2 Posizionamento:

Per ottenere performance eccellenti e affidabilità a lungo termine, scegliere una posizione:

Ben ventilata, al riparo dai raggi solari diretti e lontano da fonti di calore, con una superficie piana, robusta e priva di vibrazioni.

### 5.3 Collegamento elettrico:

**IMPORTANTE:** Messa a terra obbligatoria.

Si consiglia di proteggere l'impianto con un fusibile e un salvavita.

L'impianto elettrico che alimenta la macchina deve essere protetto secondo quanto indicato qui di seguito:

- Nord America: Protezione 15 A;
- Resto del mondo: Protezione 16 A.

Le macchine dotate di variatore, devono necessariamente essere collegate ad una scatola di derivazione su di una linea dotata di salvavita da 300 mA.

Nota: Ogni problema derivante da un altro tipo di collegamento non sarà preso in considerazione ai fini della garanzia.

Prima di collegare la macchina alla rete e onde evitare una dismissione del motore all'avvio, è importante verificare la compatibilità della rete di alimentazione con le caratteristiche della macchina (vedere la relativa targa segnaletica).

Questo apparecchio è conforme alle direttive macchine 2006/42, 2006/95, 2004/108 e reca la marcatura CE che attesta detta conformità.

Si invita a prendere visione della segnaletica di sicurezza che figura sulla macchina:



Segnale che indica un rischio di taglio. Si trova davanti e dietro la macchina nella zona di deposito e ripresa del pane (fig.10, n. 31).



Segnale che indica un rischio di folgorazione. Scollegare il cavo di alimentazione prima di qualsiasi intervento sulla macchina. Si trova nella parte posteriore della macchina vicino al cavo di alimentazione e all'interno della macchina sul quadro elettrico (fig.10, n. 32).

Sullo sportello del quadro elettrico si trova lo schema elettrico della macchina (fig. 10, n. 33).

#### **5.4 Messa in servizio:**

Prima della messa in servizio, accertarsi che non vi siano oggetti estranei sulle parti in movimento della macchina.

Per l'utilizzo della macchina, fare riferimento al capitolo "Utilizzo".

#### **5.5 Pericolo:**

In caso di pericolo per l'utente o per la macchina, utilizzare l'interruttore generale per interrompere l'alimentazione della macchina (fig. 4, n. 23, 25).

Estrarre la spina della presa elettrica prima di ogni operazione di manutenzione o di assistenza. Non toccare le lame, anche all'arresto.

Per la sostituzione delle lame, rivolgersi al distributore autorizzato.

Indossare sempre guanti di protezione anti-taglio per la sostituzione delle lame o per un'operazione nelle vicinanze delle lame.

Ogni operazione di manutenzione o sostituzione delle parti deve essere effettuata da una persona qualificata.

---

## 6 ORGANNO DI COMANDO E DI SICUREZZA

---

### 6.1 Organo di comando:

La taglierina è dotata di serie dei seguenti pulsanti:

- Un pulsante di messa in funzione che aziona il movimento delle lame e dei nastri di scorrimento (fig. 4, n. 29).
- Un pulsante d'arresto (fig.4, n. 28).
- Di due pulsanti di arresto d'emergenza (fig.4, n. 23, 25).
- Un potenziometro di regolazione della velocità dei nastri (fig. 4, n. 30).
- Un pulsante di messa in funzione e di arresto della soffiatrice insacchettatrice (FLD) (fig. 4, n. 27).
- Di due pulsanti di regolazione dell'altezza del nastro superiore di scorrimento (fig.4, n. 26).
- Di un contatore orario di taglio (fig. 4, n. 24).
- Di una leva che consente di evacuare l'ultimo pane dalle lame (fig. 4, n. 21).
- Di una manopola di regolazione delle guide laterali (fig. 4, n. 20).
- Di un pulsante di retromarcia dei nastri di scorrimento (fig.4, n. 22).

### 6.2 Zona di lavoro:

La zona di carico si trova dietro la macchina (fig. 3 n. 16).

La zona di regolazione si trova davanti e a sinistra della macchina (fig. 3, n. 17, 18).

La zona di ricevimento si trova davanti alla macchina (fig. 3 n. 18).

### 6.3 Organi di sicurezza:

Questa macchina è dotata:

**Di due arresti d'emergenza che fermano la macchina quando uno di loro viene azionato (fig.4,n. 23, 25).**

**Di un rilevatore magnetico codificato situato sullo sportello anteriore che ferma la macchina se lo sportello è aperto (fig.13, n. 35).**

---

## 7 UTILIZZO

---

Per l'utilizzo, le rotelle provviste di freno devono essere bloccate (fig.1, n. 6).

**Ad inizio giornata, alimentare la macchina tramite gli arresti d'emergenza (fig.4,n. 23, 25).**

### **Procedura di utilizzo (fig. 5, 6)**

- A. Regolare le guide della rampa di caricamento tramite le rotelle (opzionale), regolare le guide del nastro d'ingresso tramite la manopola di regolazione che si trova sul lato sinistro in modo da adattarla alla lunghezza dei pani tagliati e regolare le guide del nastro d'uscita se la macchina è dotata di un nastro d'uscita motorizzato (FMD).
- B. Regolare il premipane con i pulsanti (fig. 4, n. 26) in modo da adattarlo all'altezza delle forme di pane da tagliare
- C. Caricare le forme di pane sulla rampa di caricamento (opzionale) o sul nastro di alimentazione.
- D. Premere il pulsante verde per azionare la macchina, le lame si mettono in funzione e i nastri si mettono in movimento. Regolare la velocità di avanzamento dei nastri con il potenziometro (fig. 4, n. 30).

- E. Quando l'ultima forma di pane entra tra le lame, azionare la leva di spinta ultima forma di pane per farla uscire dalle lame. Recuperare le forme di pane sul ripiano di uscita (FLD) o sul nastro d'uscita (FMD).

Per azionare la soffiatrice premere il pulsante bianco (fig. 7) (FLD).

A fine giornata, premere uno dei pulsanti rossi **d'arresto d'emergenza** (fig. 4, n. 23, 25) per togliere l'alimentazione alla macchina.

**Consiglio:** Dopo i primi giorni di lavoro, far controllare la tensione delle lame da una persona qualificata.

**Capacità:** Numero di forme di pane tagliate all'ora: 1000 (a seconda del tipo di pane).

Dimensioni max della forma (L x h) (cm): max. 52 x 16

Dimensioni min della forma (L x h) (cm): min. 12 x 6

---

## **8 MANUTENZIONE**

---

### **8.1 Quotidiana da parte di un utilizzatore addestrato.**

- A. Verificare se occorre svuotare i cassetti raccogli-briciole.
- B. Pulire il ripiano e la rampa con una spazzola.
- C. Utilizzare un panno asciutto per la pulizia interna.
- D. Per la manutenzione esterna, utilizzare un panno umido.
- E. Pulire i nastri con un panno umido.

### **8.2 Ogni 25.000 tagli e/o 1 volta l'anno almeno, da parte di un tecnico autorizzato.**

- A. Staccare la presa della corrente.
  - B. Verificare lo stato delle lame da taglio.
  - C. Se si nota un deterioramento della qualità del taglio occorre procedere alla sostituzione delle lame da taglio (riferimento JAC: 6110019 del catalogo di Parti di ricambio JAC).
  - D. Se sono da cambiare, sostituire le lame nel rispetto della procedura di sostituzione delle lame da taglio (§8.3).
- N.B.: Non tendere eccessivamente le lame, altrimenti si rischia di deformare i telai.
- E. Pulire con una spazzola e aspirare l'interno della macchina.
  - F. Verificare lo stato dei cuscinetti, quindi lubrificarli.

Verificare attentamente che il tecnico autorizzato registri l'intervento sul libretto di manutenzione al fine di mantenere la garanzia di 5 anni.

### **8.3 Sostituzione delle lame.**

(fig.8,9)

Far sempre attenzione ad indossare guanti di protezione anti-taglio (Norma EN 388: 2003 indice B=5) e scarpe di sicurezza al momento della sostituzione delle lame o di un'operazione vicino alle lame. Dopo essersi accertati che la presa della macchina sia ben scollegata dalla corrente.

- A. Svitare la vite di fissaggio dell'insacchettatrice. Ripetere l'operazione sulle macchine a due insacchettatrici (FMD).
- B. Svitare le 2 vite di fissaggio della cuffia.



- C. Aprire la cuffia. Svitare le 4 viti di fissaggio del ripiano anteriore (FLD). Se la macchina è dotata di nastro di uscita (FMD), svitare le 8 viti di fissaggio del nastro.
- D. Estrarre il ripiano (FLD) o il nastro di uscita e staccare la connessione (FMD).
- E. Nella parte superiore del telaio anteriore, allentare le viti **A** che fissano il telaio alle lamelle di polipropilene (non smontare mai le lamelle della struttura, altrimenti si rischia di modificare le regolazioni del produttore).
- F. Adagiare il telaio in avanti. Sostituire le lame del telaio posteriore (proteggersi dalle lame del telaio anteriori). Allentare i controdadi sulle viti **B**. Svitare le viti **B** a esagono incassate che tendono le lame. Sostituire le lame controllando che siano ben posizionate nella sporgenza dei bilancieri. Ridistendere le lame serrando le viti **B**, avendo come riferimento per la tensione le lame rimaste sul telaio. Quindi serrare i dadi (macchina dotata dell'opzione lubrificazione).

**Per non deformare il telaio e non rischiare rotture pericolose, non sostituire più di 1 - 3 lame per volta alternando da sinistra a destra.**

Ricominciare la procedura dal punto F. per il telaio anteriore e rimontare il telaio anteriore e gli elementi di rivestimento. Al rimontaggio, verificare di aver fatto scorrere il ripiano anteriore sotto quello posteriore a livello delle lame.

Collegare la macchina alla rete elettrica, la macchina è pronta.

Verificare attentamente che il tecnico autorizzato registri l'intervento sul libretto di manutenzione al fine di mantenere la garanzia di 5 anni.

---

## **9 COMPONENTI DI CONSUMO**

---

Al momento dell'ordine di parti di ricambio, verificare con il tecnico autorizzato di quale parte si tratta in base al catalogo delle parti di ricambio emesso dal fabbricante.

Precisare sempre il codice della macchina indicato sulla targa segnaletica.

Il tecnico effettua gli ordini presso JAC.

### **9.1 Elenco dei COMPONENTI DI CONSUMO**

<b>CODICE ARTICOLO</b>	<b>VERSIONE</b>	<b>MODELLO</b>
7240032	CINGHIA	TUTTE
5690020	LAMELLE DEI TELAI	TUTTE
6110019	COLTELLO JAC 13MM/0,7MM	TUTTE
7250005	CURSORE INFERIORE SEGHETTATO	TUTTE
7250006	CURSORE SUPERIORE SEGHETTATO	TUTTE
7250014	CURSORE D'USCITA LISCIO	FULL 520 T3

<b>Problema</b>	<b>Verifica</b>
<b>La macchina non funziona</b>	Collegare la macchina con un cavo.
	Sbloccare l'arresto d'emergenza (fig. 4, n. 23, 25).
	Rivolgersi al proprio tecnico autorizzato se la spia verde lampeggia.
	Chiudere la porta anteriore.
<b>La macchina funziona, ma le forme di pane sono danneggiate o tagliate in modo irregolare</b>	Verificare se occorre sostituire le lame (§8.3).
	Lasciar raffreddare la forma di pane per alcune ore.
	Introdurre una forma di dimensioni accettate.
	Introdurre una forma molto soda.
	Se le lame sono disallineate, regolare le lame e i telai.
<b>Il pane vibra tra le lame</b>	Se le lame sono disallineate, regolare le lame e i telai.
<b>Il pane si taglia troppo lentamente</b>	Verificare se occorre sostituire le lame (§8.3).
<b>Il pane si strappa</b>	Se le lame sono disallineate, regolare le lame e i telai.
	Verificare se occorre sostituire le lame (§8.3).
	Rivolgersi al proprio tecnico autorizzato se la spia verde lampeggia.
<b>Il pane esce molto lentamente o rimane tra le lame</b>	Verificare che la leva spingi pane posteriore sia ben azionata.
<b>Il pane è schiacciato all'uscita dalle lame</b>	Verificare che la leva spingi pane posteriore sia ben azionata.

**ATTENZIONE:** Per ogni intervento, la macchina deve obbligatoriamente essere scollegata dall'alimentazione.



**Se il problema persiste, contattare il proprio tecnico.**

## 11 ELENCO DEI COMPONENTI INDICATI NELLE FIGURE

Figura	Numero	Nome
1	1	Pannello di comando
	2	Insacchettatrice
	3	Soffiatrice-insacchettatrice
	4	Ripiano d'uscita
	5	Cassetto raccogli-briciole
	6	Rotelle frenanti
	7	Ruota di regolazione delle guide di carico
	8	Rampa di carico
	9	Guide di carico
	10	Nastro motorizzato
	11	Guida di carico del nastro
	12	Lamiera di accesso quadro elettrico
2	13	Nastro di uscita motorizzato
	14	Guida del nastro d'uscita
	15	Ruota di regolazione delle guide del nastro di uscita
3	16	Zona di carico
	17	Zona di regolazione
	18	Zona di regolazione e di scarico
4	19	Ruota di regolazione delle guide di carico
	20	Manovella di regolazione delle guide interne
	21	Leva dell'ultimo spingipane
	22	Pulsanti di retromarcia dei nastri
	23	Pulsante di arresto d'emergenza
	24	Contatore dei tagli
	25	Pulsante di arresto d'emergenza
	26	Pulsanti di regolazione del premipane
	27	Pulsante di messa in funzione della soffiatrice insacchettatrice
	28	Pulsante di arresto
	29	Pulsante di messa in funzione
	30	Potenzimetro di regolazione della velocità dei nastri
10	31	Segnaletica "rischio di taglio"
	32	Segnaletica "rischio di folgorazione"
	33	Schema elettrico
11	34	Riscontro regolabile dell'insacchettatrice
13	35	Sicurezza magnetica codificata



90	.....	1	قبل التشغيل
90	.....	2	الضمان
91	.....	3	تسيهات
92	.....	4	المواصفات الفنية
92	.....	4.1	المواصفات الفنية
92	.....	4.2	تفاصيل الخامات الملامسة للخبز
93	.....	5	الوكيب والتشغيل
93	.....	5.1	فك تغليف الآلة
93	.....	5.2	الموضع
93	.....	5.3	التوصيل الكهربى
94	.....	5.4	التشغيل
94	.....	5.5	خطر
95	.....	6	جهاز التحكم والامان
95	.....	6.1	جهاز التحكم
95	.....	6.2	منطقة عمل
95	.....	6.3	أجهزة الامان
95	.....	7	الاستخدام
96	.....	8	الصيانة
96	.....	8.1	يومية بواسطة مستخدم مُدرب
96	.....	8.2	كل 25000 مرة تقطيع للخبز و /أو مرة واحدة على الأقل كل عام بواسطة وكيل معتمد
96	.....	8.3	تغيير الشفارات
97	.....	9	قطع المستهلكات
97	.....	9.1	قائمة بالمستهلكات

نشكركم لاختياركم حلول JAC. تأكد من قراءة دليل الاستخدام هذا قبل تركيب وتشغيل هذه الآلة. يمكنك أن تحمي نفسك وتتجنب هكذا أن تتلف الآلة.

يشير هذا الدليل إلى أشكال مختلفة من أجل تسهيل فهم التعليمات. هذه الأشكال موجودة في نهاية هذا الدليل. يُرجى الرجوع إليها ما إن ترى الرموز التالية (شكل كذا، ورقم كذا).

من أجل أن تكون راضيًا تمامًا عن أداء هذه الآلة خلال السنوات القادمة، ندعوك إلى الاطلاع على النصائح التالية:

- استعن بوكيل معتمد من أجل التركيب والتشغيل والمتابعة.

- من أجل الاستفادة من الضمان ومدته 5 سنوات (انظر الشروط المذكورة بعد)، قم بواسطة الموزع، باستكمال دفتر الصيانة أثناء تركيب الآلة. يوجد دفتر الصيانة خلف الآلة.

## 2 الضمان

تقدم شركة JAC ضمانًا على كل منتجاتها مدته 5 سنوات.

يسري هذا الضمان على كل قطع الآلة، بما فيها القطع الإلكترونية، دون المستهلكات. يسري الضمان من تاريخ تركيب المعدة.



بحسب الشروط المقيدة التالية:

- تم شراء المعدة من موزع معتمد؛
- تم التركيب بمعرفة وكيل معتمد؛
- استخدام المعدة وفقًا لتعليمات دليل الاستخدام وفي الغرض الذي صنعت من أجله؛
- يتم صيانة المعدة يوميًا وفقًا لإرشادات دليل الاستخدام؛
- يتابع الصيانة الوكيل المعتمد وفقًا لشروط الصيانة، مع إجراء الصيانة مرة في العام، على الأقل (الصيانة على حساب المستخدم).
- الاستخدام الحصري لقطع الغيار الأصلية من JAC.

إذا لم توجد صيانة من وكيل معتمد و/أو أن دفتر الصيانة غير مكتمل بشكل صحيح، تقتصر فترة الضمان على عام واحدة.



علمًا بأن الضمان لا يشمل:

- استبدال المستهلكات (فقرة 9)؛
  - قطع الغيار التي لم يقر قسم الخدمة الفنية بأنها تالفة؛
  - المشكلات الناجمة عن الاستخدام غير السليم للمعدة؛
  - المشكلات الناجمة عن تركيب لم يتم بمعرفة وكيل معتمد؛
  - قطع الغيار أو المشكلات الناجمة عن تلف أثناء النقل أو المناولة غير المناسبة.
- ليس من شأن الإصلاح و/أو الاستبدال لقطع الغيار التالفة الذي يتم خلال مدة الضمان أن يمدد هذا الضمان.

من المهم جدًا حفظ دليل الاستخدام هذا مع الجهاز للاطلاع عليه في المستقبل. إذا كان سيتم بيع أو نقل هذا الجهاز إلى شخص آخر، فتأكد أن يتم إعطاء دليل الاستخدام هذا بحيث يستطيع المستخدم معرفة تشغيله والتبيّهات المتعلقة به.

تم إعطاء هذه التبيّهات حرصًا على سلامتك وعلى سلامة الآخرين. الرجاء قراءتها بانتباه قبل تركيب واستخدام الجهاز.  
تم تصميم هذه الآلة لكي يستخدمها أشخاص بالغون مسموح لهم باستخدامها. يرجى ألا يلمسها الأطفال أو أن يستخدموها كلعبة.  
هذه الآلة مخصصة حصريًا للاستخدام المهني.

من الخطر تعديل أو محاولة تعديل مواصفات هذه الآلة.

بعد تركيب الآلة، تأكد أنها لا تستند إلى كابل كهرباء.

اتبع التعليمات المعطاة من أجل الاستخدام.

يجب تخزين واستخدام هذه الآلة داخل مكان بعيد عن الرطوبة والحرارة.

يجب أن يكون هناك إضاءة كافية لهذه الآلة للقيام بالعمل.

مستوى صوت هذه الآلة أقل من 75 ديسيبل وفقًا للمعيار EN ISO 3744.

يجب أن يستخدم هذه الآلة شخص واحد في الوقت الواحد (ما لم يوجد تعليمات مخالفة).

هذه الآلة مخصصة لتقطيع الخبز الناضج والمعتدل الحرارة.

هذه الآلة غير مخصصة لأنواع الخبز والخامات التالية:

- الخبز الساخن، والخبز البانت
- الخبز المجمد، أو الذي تم إزالة تجميده جزئيًا
- الخبز الكامل بقشرة صلبة وأنواع أخرى من الخبز ذات القشرة الصلبة
- خبز الجاودار
- منتجات غير غذائية مثل الخشب والبلاستيك والخامات الشبيهة
- أي طعام لا ينتمي إلى فئة الخبز أو الكعك

يمكن أن تتلف الآلة أثناء قطع الخبز أو الخامات غير المصرح بها.

افصل دائمًا التيار الكهربائي قبل القيام بالتنظيف الداخلي/الخارجي للجهاز وقبل عمليات الصيانة.

هذا الجهاز ثقيل الوزن. اتخذ كل احتياطات الأمان أثناء مناولته.

## 4 المواصفات الفنية

### 4.1 المواصفات الفنية

Full 520 T3	Full 520 T2	
1250	1250	الارتفاع (مم)
1658	1658	الارتفاع مع مزلقة التحميل (اختياري) (مم)
844	1164	العرض (مم)
2266	1971	العمق (مم)
2951	2655	العمق مع مزلقة التحميل (اختياري) (مم)
520	520	عرض فتحة الإدخال (مم)
160	160	ارتفاع فتحة الإدخال (مم)
1800 × 2410 × 950	1800 × 2160 × 950	الحزم (مم)
385	365	الوزن الصافي (كجم)
420	400	الوزن الصافي + عبوة التغليف (كجم)
1.1	1.1	قوة الموتور (كيلو واط)
أحادي الطور أو ثلاثي الأطوار (1 فتحة أو 3 فتحة)	أحادي الطور أو ثلاثي الأطوار (1 فتحة أو 3 فتحة)	نوع المحرك
5	5	220 فولت - 50 هرتز (A)
3.2	3.2	380 فولت - 50 هرتز (A)
500 > 200	500 > 200	سعة (الخيز/ساعة)
75 >	75 >	المستوى الصوتي (ديسيبل)

اختياري	رصيف تحميل
اختياري	سكاكين خاصة

### 4.2 تفاصيل الخامات الملامسة للخيز.

- مزلقة تحميل: فولاذ مقاوم للصدأ 430
- دفع آخر قطعة خيز: فولاذ مقاوم للصدأ 430
- مكبس خيز فولاذ مقاوم للصدأ 430
- الشفرات: الصلب
- بُساط تحريك الخيز: بولي فينيل كلوريد
- بساط الإخراج T3: البولي يوريثان
- منضدة إخراج: فولاذ مقاوم للصدأ 430

## 5.1 فك تغليف الآلة:

تُباع الآلات، عند خروجها من ورشنا، على ألواح، ومربوطة بأشرطة ومحمية بصندوق من الخشب. قبل القيام بأي شيء، يجب فحص العبوة وإبلاغ شركة التوصيل مباشرة بأي تلف ناتج عن النقل.

- A. فك الصندوق الخشبي وكذلك كيس تغليف الآلة. إذا كانت الآلة مزودة بمزلفة تحميل (اختياري) فاسحبها من فوق الآلة وفك الطرد.
- B. انزع الأشرطة مع الانتباه بشكل خاص إلى ارتخاء هذه الأخيرة أثناء قطعها.
- C. افصل الجهاز عن الألواح بأن تنزع الشرائح الخشبية التي تعرقل حركة العجلات.
- D. أنزل الآلة من على اللوح. احرص على أن يقوم شخصان على الأقل بهذا الأمر من أجل تخفيف التلامس مع الأرض بشكل أفضل.
- E. يُرجى تركيب المصد القابل للضبط لجهاز التكييف على جهاز التكييف (fig.11, n°34).
- F. ركب مزلفة التحميل (اختياري) إذا كانت الآلة مجهزة به (fig12).

بعد إخراج الآلة من الكرتون، تحقق أنها لم تتعرض للتلف أثناء النقل. وأبلغنا بأي عطب.

## 5.2 الموضوع:

للحصول على أداء ممتاز وفعالية على المدى الطويل، اختر موضعًا: جيد التهوية، وبعيدًا عن أشعة الشمس المباشرة وبعيدًا عن مصادر الحرارة مع سطح مستو وقوي وخالي من الاهتزازات.

## 5.3 التوصيل الكهربى:

هام: توصيل الطرف الأرضي إلزامى.

يُنصح بحماية التمديدات الكهربائية بمنصهر وقاطع تيار تفاضلي.

يجب حماية التمديدات الكهربائية التي تُغذي الآلة كما هو مُبين أدناه:

- أمريكا الشمالية: حماية 15 أمبير؛

بقية دول العالم: حماية 16 أمبير.

بالنسبة للآلات المجهزة بمُغَيِّر كهربائي، يجب توصيله على غلبة التفريغ على خط مجهز بقاطع تيار تفاضلي 300 ملي أمبير.

ملحوظة: أي مشكلة ناجمة عن التوصيل بشكل آخر لن يشملها الضمان.

قبل توصيل الآلة على شبكة الكهرباء ومن أجل تجنب وقف تشغيل الموتور عند توصيله بالكهرباء، من المهم التحقق من توافق شبكة الكهرباء مع مواصفات الآلة (انظر لوحة البيانات لهذه الآلة).

يتوافق هذا الجهاز مع التعليمات الخاصة بالآلات 42/2006 و 95/2006 و 108/2004 ويحمل علامة CE التي تشهد بذلك.

يرجى الاطلاع على الصور التوضيحية المتعلقة بالأمان الموجودة على الآلة:

صورة توضيحية تُشير إلى خطر حدوث جرح. سوف تجدها في مقدمة الآلة وخلفها حول منطقة وضع الخبز وأخذ الخبز. (fig.10, n°31)



صورة توضيحية تُشير إلى خطر الصعق بالكهرباء. يُرجى فصل الكهرباء عن الآلة قبل أي إصلاح لها. سوف تجدها خلف الآلة بالقرب من كابل التغذية وداخل الآلة على الصندوق الكهربائي. (fig.10, n°32)

سوف تجد الرسم التخطيطي الكهربائي للآلة على باب الصندوق الكهربائي. (n°33,fig.10)

#### 5.4 التشغيل:

قبل التشغيل، تأكد من عدم وجود أي شيء دخيل على الأجزاء المتحركة للآلة.

لاستخدام الآلة، راجع فصل "الاستخدام".

#### 5.5 خطر:

في حالة وجود خطر على المستخدم أو على الآلة، يجب عليك أن تستخدم مفتاح القطع العمومي لفصل التيار الكهربائي عن الآلة. (fig4, n°23,25)

اسحب القابض من المقبس الكهربائي قبل القيام بأية عملية صيانة وفحص؛ لا تلمس الشفرات، حتى أثناء التوقف.

عند تغيير الشفرات، اطلب من الموزع المعتمد أن يقوم هو بالعملية.

احرص على ارتداء قفازات حماية من الجروح أثناء استبدال الشفرات أو أثناء القيام بعملية قريبة من الشفرات.

أي عملية صيانة أو استبدال قطعة غيار يجب أن تتم بواسطة شخص مؤهل.

## 6.1 جهاز التحكم:

- ماكينة القطع مزودة على التوالي بالأزرار التالية:
- زر تشغيل حركة الشفرات وحركة بُسَاط التحريك (fig.4, n°29)
- زر إيقاف (fig.4, n°28)
- 2 زر إيقاف في حالة الطوارئ (fig.4, n°23,25)
- مقياس جهد لضبط سرعة تحريك البُساط (fig.4, n°30)
- زر تشغيل وإيقاف النافخ المكبس (FLD) (fig.4, n°27)
- 2 زر لضبط ارتفاع بُسَاط التحريك العلوي (fig.4, n°26)
- عداد زمن القطع (fig.4, n°24)
- ذراع يتيح إخراج قطعة الخبز الأخيرة في الشفرات (fig.4, n°21)
- ذراع تدوير لضبط الأدلة الجانبية (fig.4, n°20)
- زر تشغيل بُسَاط التحريك للخلف (fig.4, n°22)

## 6.2 منطقة عمل:

- توجد منطقة التحميل خلف الآلة (fig.3 n°16)
- توجد منطقة الضبط في الأمام وعلى الجانب الأيسر للآلة (fig.3, n°17,18)
- توجد منطقة استقبال الخبز أمام الآلة (fig.3 n°18)

## 6.3 أجهزة الأمان:

هذه الآلة مجهزة بـ:

- 2 زر إيقاف في حالة الطوارئ يوقفان الآلة عندما نضغط عليهما. (fig.4, n°23,25)
- حساس مغناطيسي مشفر يوجد على الباب الأمامي الذي يوقف الآلة عندما يكون الباب مفتوحاً. (fig.13, n°35)

## 7 الاستخدام

من أجل الاستعمال، يجب قفل العجلات الصغيرة المزودة بفرملة. (fig.1, n°6)

في بداية اليوم، وصل الآلة بالكهرباء باستخدام زر الإيقاف في حالة الطوارئ (fig.4, n°23,25)

إجراء الاستخدام (fig.5,6)

- A. قم بضبط أدلة مزلفة التحميل بالاستعانة بالتروس (اختياري)، واضبط أدلة بُسَاط الإدخال باستخدام ذراع الضبط الموجودة على الجانب الأيسر من أجل ضبطهما على طول الخبز المقطع واضبط أدلة بُسَاط الإخراج إذا كانت الآلة لديك مزودة ببُساط إخراج به موتور (FMD).
- B. اضبط مكبس الخبز باستخدام الأزرار (fig.4, n°26) من أجل ضبطه على ارتفاع الخبز المراد تقطيعه
- C. قم بتحميل الخبز على مزلفة التحميل (اختياري) أو على بُسَاط الإدخال.
- D. اضغط على الزر الأخضر من أجل تشغيل الآلة، سوف تعمل الشفرات ويتحرك البُساط. اضبط سرعة تقدم البُساط باستخدام مقياس الجهد (fig.4, n°30)
- E. عندما تدخل قطعة الخبز الأخيرة إلى الشفرات، شغل رافعة دفع قطعة الخبز الأخير لجعلها تخرج من الشفرات. استعد الخبز من على منضدة الإخراج (FLD) أو من على بُسَاط الإخراج (FMD).

لتشغيل النافخ، اضغط على الزر الأبيض (FLD) (fig.7)

في نهاية اليوم، اضغط على أحد الأزرار الحمراء للإيقاف في حالة الطوارئ (fig.4, n°23,25) لفصل التيار عن الآلة.

نصيحة: بعد الأيام الأولى من التشغيل، افحص شد الشفرات بواسطة شخص مؤهل.

السعة: عدد قطع الخبز المقطعة في الساعة: 1000 (وفقًا لنوع الخبز).  
أقصى مقياس لقطعة الخبز (عرض × ارتفاع) (سم): حد أقصى 16 × 52  
أقل مقياس لقطعة الخبز (عرض × ارتفاع) (سم): حد أدنى 6 × 12

## 8 الصيانة

### 8.1 يومية بواسطة مستخدم مُدرّب.

- تحقق إذا كان يجب عليك تفريغ أوعية الفتات.
- قم بتنظيف المنضدة والمزلة باستخدام فرشاة.
- استخدم قطعة قماش جافة للتنظيف من الداخل.
- بالنسبة للعناية الخارجية، استخدم قطعة قماش رطبة.
- قم بتنظيف البساط بقطعة قماش رطبة.

### 8.2 كل 25000 مرة تقطيع للخبز و/ أو مرة واحدة على الأقل كل عام بواسطة وكيل معتمد.

- اسحب القابس من مقبس الكهرباء.
- تحقق من حالة شفرات القطع.
- إذا لاحظت انخفاض جودة القطع، فيجب القيام باستبدال شفرات القطع (الرقم المسلسل لدى شركة JAC: 6110019).  
كنالوج قطع الغيار (JAC)
- إذا كان لا بد من تغييرها، فاستبدل الشفرات وفقًا لإجراء تغيير شفرات القطع (فقرة 8.3).  
**ملحوظة:** لا تشد الشفرات زيادة عن اللازم، لوجود خطر تشويه الإطارات.
- قم بالتنظيف باستخدام فرشاة واشطف داخل الآلة.
- تحقق من حالة رولمان البلي، ثم قم بتشحيمها بعد ذلك.

تأكد من أن الوكيل المعتمد يقوم بتسجيل زيارته في دفتر الصيانة من أجل الحفاظ على ضمان الـ 5 سنوات.

### 8.3 تغيير الشفرات.

(fig.8.9)

احرص دائمًا على ارتداء قفازات حماية من الجروح (معيار EN 388: 2003 مؤشر B=5) وأحذية أمان أثناء استبدال الشفرات أو أثناء عملية قربية من الشفرات.  
بعد التأكد أن قابس الآلة مفصول جيدًا عن التيار الكهربائي

- قم بفك برغي تثبيت جهاز التثبيت. كرر العملية بالنسبة للآلات التي بها جهازا تثبيت (FMD).
- قم بفك 2 برغي تثبيت جهاز الغطاء.
- افتح الغطاء. قم بفك 4 برغي تثبيت المنضدة الأمامية (FLD). إذا كانت الآلة مزودة ببساط إخراج (FMD)، قم بفك البراعي الـ 8 المثبتة للبساط.
- اسحب المنضدة (FLD) أو بساط الإخراج وافصل الوصلة (FMD).
- على الجزء العلوي للإطار الأمامي، قم بفك البراعي A التي تثبت الإطار بصفائح البولي بروبيلين (لا تتم مطلقًا بفك صفائح الضبط في الهيكل، فقد تقوم بتعديل ضبط المصنع).
- قم بإزالة الإطار نحو الأمام. استبدل شفرات الإطار الخلفي (ضع ما من شأنه الحماية على شفرات الإطار الأمامي). قم بفك صواميل الزنق على البراعي B. قم بفك البراعي B السداسية المجوفة التي تشد الشفرات. استبدل الشفرات مع مراقبة أن تكون موضوعة جيدًا في ظفر الأذرع المتأرجحة. أعد شد الشفرات بأن تشد البراعي B، وتكون الشفرات التي ظلت في الإطار هي بمثابة دليل للشد. ثم شد الصواميل بعد ذلك (الآلة المجهزة بخيار التثبيت).

من أجل عدم تشويه الإطار وعدم المخاطرة بتكسير خطير، لا تستبدل إلا 1 إلى 3 شفرات في المرة الواحدة مع التناوب من اليسار إلى اليمين.





كرر الإجراء من النقطة "و" بالنسبة للإطار الأمامي وأعد تركيب الإطار الأمامي وكذلك عناصر الهيكل. عند إعادة التركيب، تحقق جيدًا من تمرير المنضدة الأمامية تحت المنضدة الخلفية من ناحية الشفرات.

قم بتوصيل الآلة بالتيار الكهربائي، فتكون الآلة جاهزة.

تأكد من أن الوكيل المعتمد يقوم بتسجيل زيارته في دفتر الصيانة من أجل الحفاظ على ضمان الـ 5 سنوات.

## 9 قطع المستهلكات

أثناء طلب قطعة غيار، تأكد مع الوكيل المعتمد بشأن القطعة المطلوبة على أساس كتالوج قطع الغيار الذي أصدره الصانع. حدد دائمًا رقم الآلة كما هو مبين على لوحة البيانات. ويقوم الوكيل بعمل الطلبات لدى شركة JAC.

### 9.1 قائمة بالمستهلكات

رمز الصنف	التوصيف الجدي	النموذج
7240032	BELT	ALL
5690020	FRAME STRIP	ALL
6110019	JAC KNIFE, 13 MM/0.7 MM	ALL
7250005	LOWER TOOTHED BELT	ALL
7250006	UPPER TOOTHED BELT	ALL
7250014	SMOOTH OUTFEED BELT	FULL 520 T3

التحقق	المشكلة
قم بتوصيل الآلة باستخدام الكابل	الآلة لا تدور
قم بفتح زر الإيقاف في حالة الطوارئ (fig.4 n°23,25)	
اتصل بالوكيل المعتمد إذا كان الضوء الأخضر يومض.	
أغلق الباب الأمامي	الآلة تعمل، لكن الخبز تالف أو مُقطع بطريقة غير متساوية
تحقق إذا كان يجب استبدال الشفرات (فقرة 3.8)	
اترك الخبز يبرد لعدة ساعات	
ضع الخبز بالمقاسات المقبولة	
ضع خبزًا إلى حد ما ناشفًا	الخبز يهتز في الشفرات
إذا كانت الشفرات غير متساوية، فاضبط الشفرات والإطارات	
إذا كانت الشفرات غير متساوية، فاضبط الشفرات والإطارات	الخبز ينقطع ببطء شديد
تحقق إذا كان يجب استبدال الشفرات (فقرة 3.8)	
إذا كانت الشفرات غير متساوية، فاضبط الشفرات والإطارات	الخبز يتمزق
تحقق إذا كان يجب استبدال الشفرات (فقرة 3.8)	
اتصل بالوكيل المعتمد إذا كان الضوء الأخضر يومض.	
تحقق أن رافعة دفع قطعة الخبز الأخيرة تعمل جيدًا	الخبز يخرج ببطء شديد أو يظل في الشفرات
تحقق أن رافعة دفع قطعة الخبز الأخيرة تعمل جيدًا	الخبز منسحق عن خروجه من الشفرات

**انتبه:** قبل القيام بأية إصلاحات، يجب فصل التيار عن الآلة.

إذا استمرت المشكلة بعد ذلك، فيرجى الاتصال بالفني.



الاسم	الرقم	شكل
لوحة التحكم	1	1
جهاز التكييس	2	
نافخ مكيس	3	
منضدة إخراج	4	
وعاء فتات الخبز	5	
عجلات صغيرة معرفة	6	
ترس ضبط أدلة التحميل	7	
مزلقة تحميل	8	
أدلة التحميل	9	
بُساط بموتور	10	
دليل تحميل البُساط	11	
صاج الوصول لصندوق الكهرباء	12	2
بساط الإخراج بموتور	13	
دليل بُساط الإخراج	14	
ترس ضبط أدلة بُساط الإخراج	15	3
منطقة تحميل	16	
منطقة الضبط	17	
منطقة ضبط وتحميل	18	4
ترس ضبط أدلة التحميل	19	
ذراع تدوير لضبط الأدلة الداخلية	20	
رافعة دفع قطعة الخبز الأخيرة	21	
أزرار التسيير للخلف للبُساط	22	
زر الإيقاف في حالة الطوارئ	23	
عداد مرات القطع	24	
زر الإيقاف في حالة الطوارئ	25	
أزرار ضبط مكيس الخبز	26	
زر تشغيل النافخ المكيس	27	
زر الإيقاف	28	
زر التشغيل	29	
مقياس جهد لضبط سرعة البُساط	30	10
صورة توضيحية "خطر حدوث جرح"	31	
صورة توضيحية "خطر الصعق بالكهرباء"	32	
رسم تخطيطي كهربائي	33	11
مصد جهاز التكييس قابل للضبط	34	
أمان مغناطيسي مشفر	35	13

fig.1

FLD



fig.2

FMD

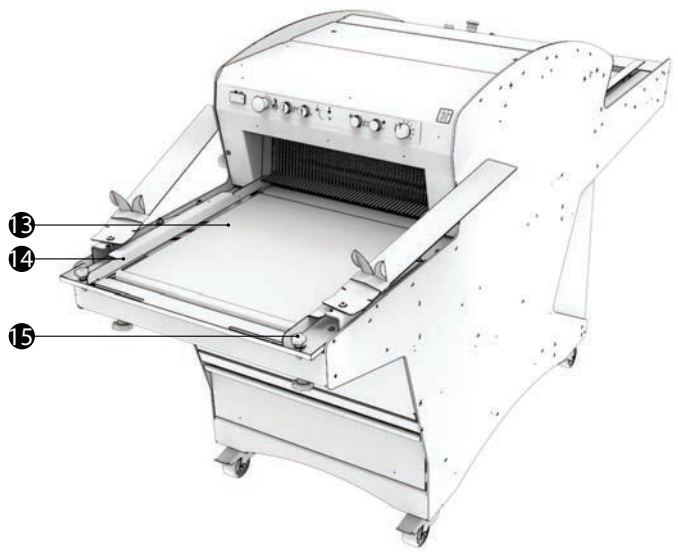


fig.3

FLD - FMD

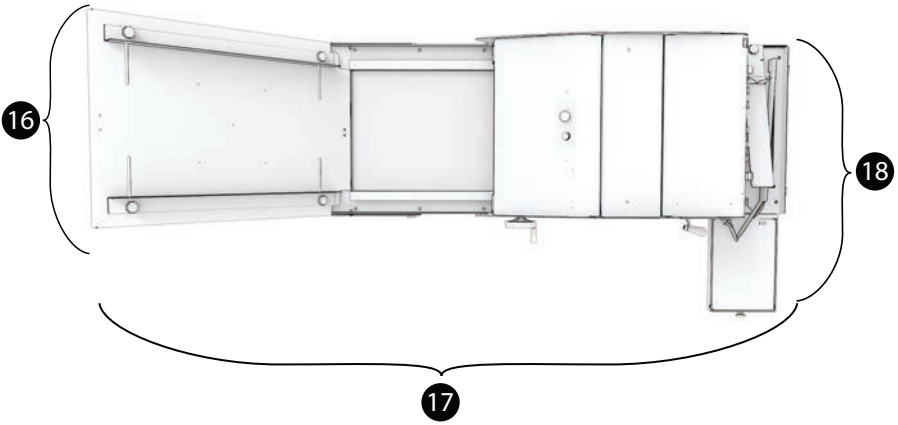


fig.4

FLD - FMD

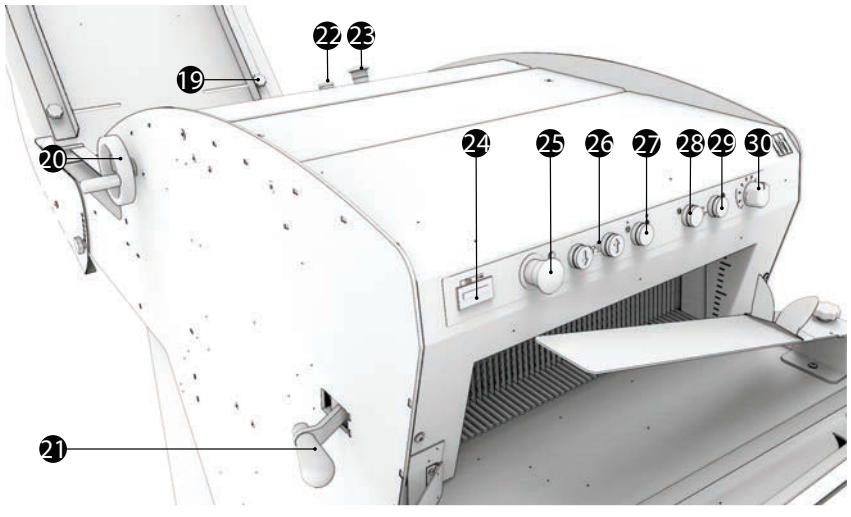
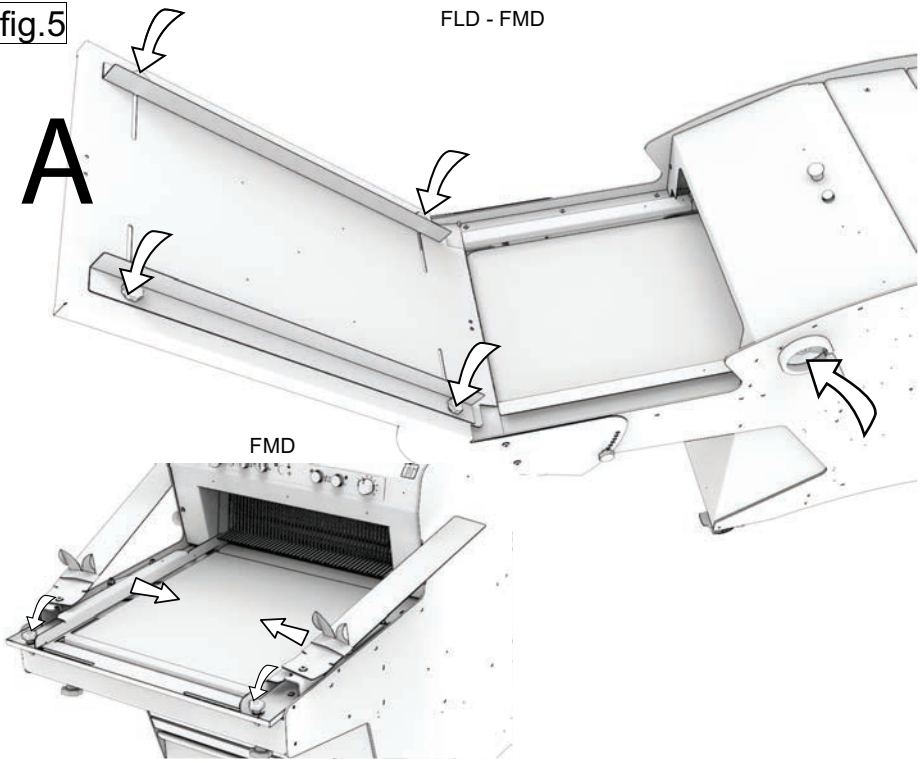


fig.5

FLD - FMD

A



FLD - FMD

B

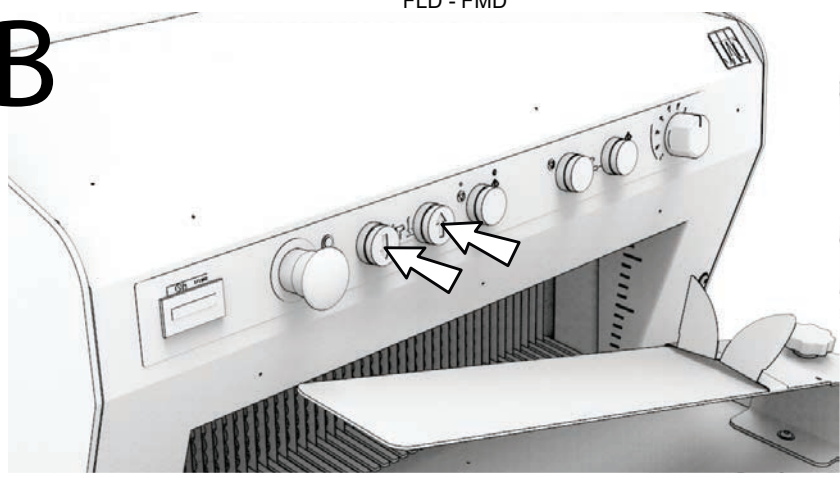


fig.6

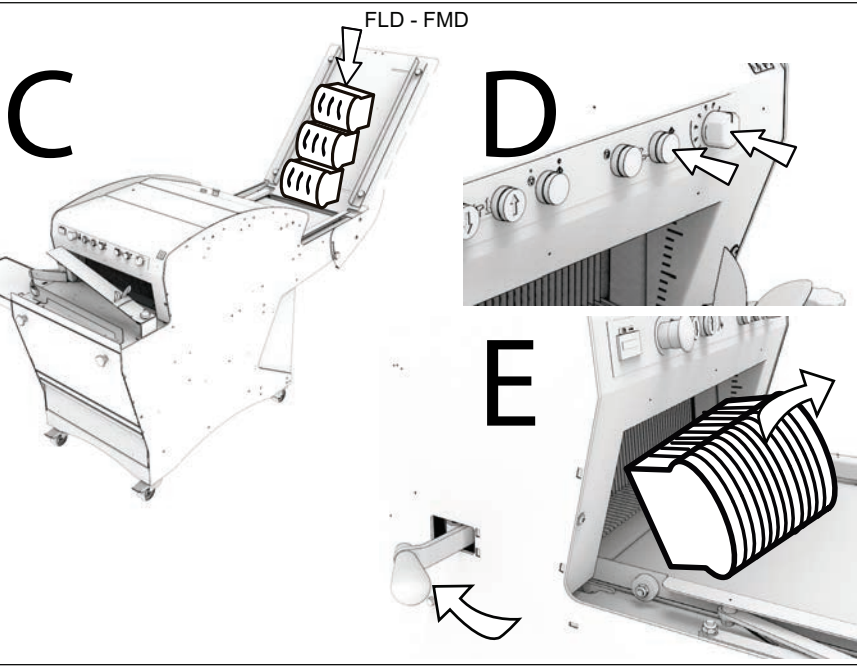


fig.7

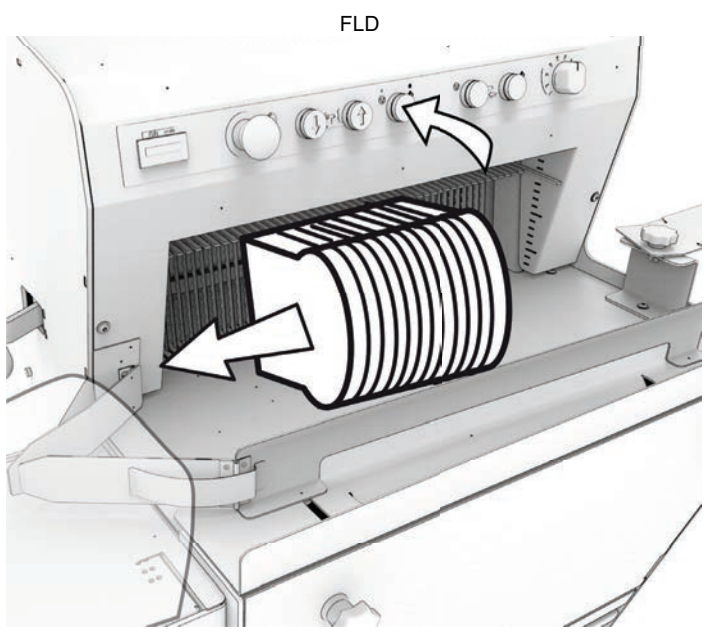


fig.8

FLD - FMD

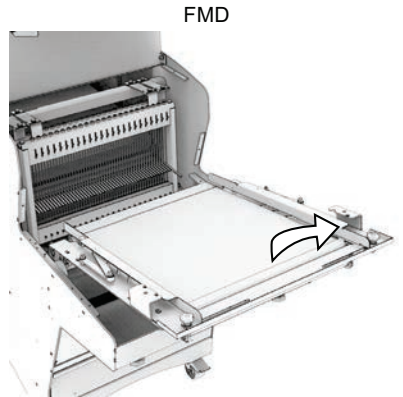
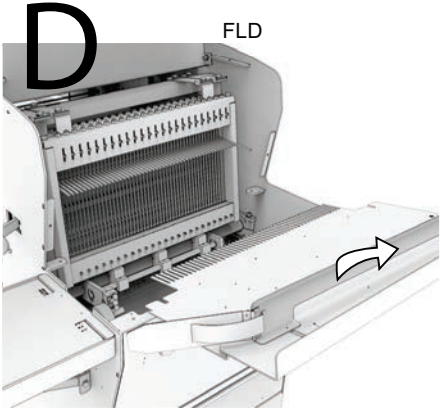
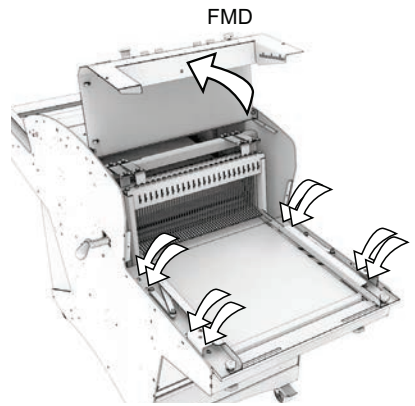
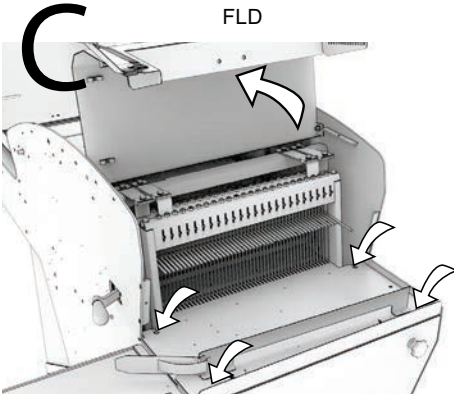
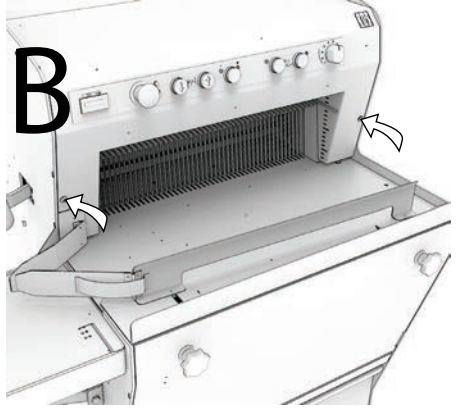
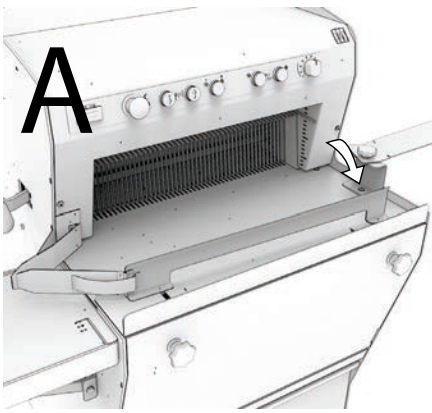




fig.9

FLD - FMD

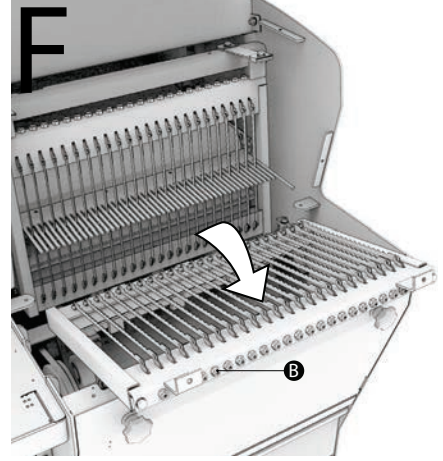
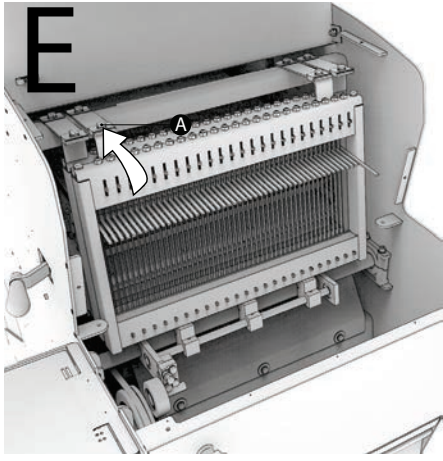


fig.10

FLD - FMD

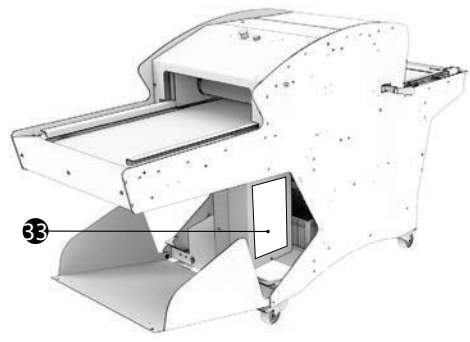
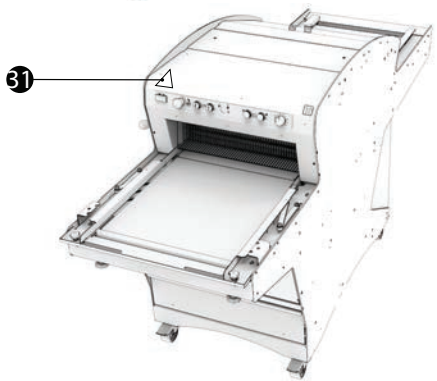
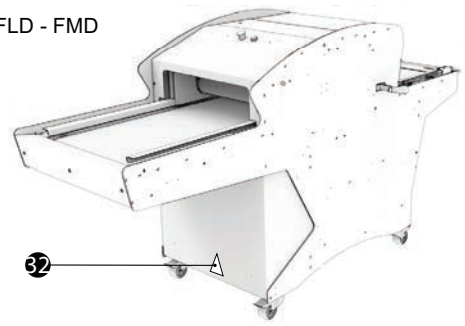
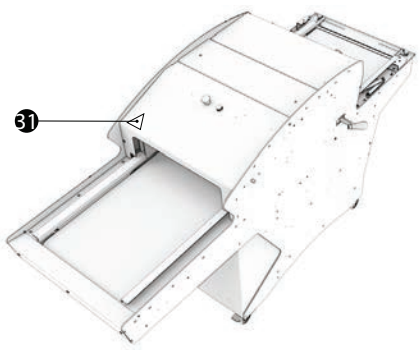


fig.11

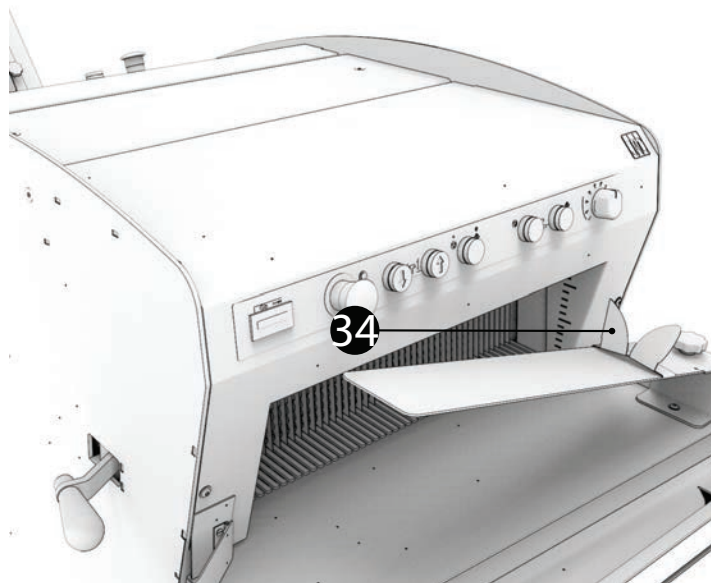


fig.12



fig.13





Traditionally Innovative

CONFORMITY DECLARATION TO THE EUROPEAN DIRECTIVES.  
DECLARATION DE CONFORMITE AUX DIRECTIVES EUROPEENNES.  
KONFORMITÄTSEKTLÄRUNG AN DEN EUROPÄISCHEN RICHTLINIEN.  
VERKLARING VAN OVEREENSTEMMING MET DE EUROPESE RICHTLIJNEN.  
DICHIARAZIONE DI CONFORMITÀ ALLE DIRETTIVE EUROPEE.  
DECLARACION DE CONFORMIDAD CON LAS DIRECTIVAS EUROPEAS.  
ДЕКЛАРАЦИЯ СООТВЕТСТВИЯ ЕВРОПЕЙСКИМ ДИРЕКТИВАМ.  
شهادة المطابقة مع التعليمات الأوروبية.



- EN** The undersigned declares that the machine complies with the European Directives 2006/42/CE, 2014/35/UE, 2014/30/UE.
- FR** Le soussigné déclare que cette machine est conforme aux directives européennes 2006/42/CE, 2014/35/UE, 2014/30/UE.
- DE** Unterzeichner erklärt, daß diese Maschine den Europäischen Richtlinien 2006/42/CE, 2014/35/UE, 2014/30/UE entspricht.
- NL** Ik ondertekende verklaart dat deze machine in overeenstemming met de Europese richtlijnen 2006/42/CE, 2014/35/UE, 2014/30/UE.
- IT** Il sottoscritto dichiara questa macchina conforme alle ultime versioni delle seguenti direttive europee: 2006/42/CE, 2014/35/UE, 2014/30/UE.
- ES** El infrascrito declara que esta máquina es conforme con las directivas europeas 2006/42/CE, 2014/35/UE, 2014/30/UE.
- RU** Нижеподписавшееся лицо заявляет, что данное устройство соответствует европейским директивам 2006/42/CE, 2014/35/UE, 2014/30/UE.
- AR** मैं यहाँ पर CE/2006/42 و UE/2014/35 و UE/2014/30 के साथ मशीन की مطابقتها की घोषणा कर रहा हूँ।

Last update: 05/2018  
Technical files compiled by:  
Pierre-Yves Dorslmont  
JAC S.A.  
Chemin d'Éole, 2  
B-4000 Sclessin  
BELGIUM

Complies with the following (parts of)  
European Harmonised Standards:  
EN 1672-2  
1935/2004  
IEC 60204-1  
EN ISO 12100-1  
EN ISO 12100-2 §5, §6  
EN 13954 if applicable  
EN 61000-3-2, -3, -6-1, -6-3

Adrien Craeninx  
Chief Executive Officer  
JAC s.a.