

OWNER'S MANUAL

Versa Accessories Cambro Versa Food Service System

This manual applies to the following Versa Food Service System Accessories:

Tray Rail for Versa Food Bar™ / Versa Work Table



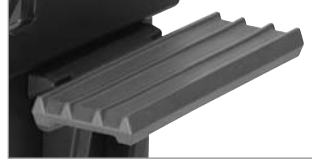
VBRR6, VBRR5

Well Cover for Versa Food Bar and Versa Work Table



VBRWC

Tray Rail for Versa Cart



VCS32R

Straight Connector for Versa Food Bar / Versa Work Table to Versa Food Bar / Versa Work Table



VBRC

Corner Connector for Versa Food Bar / Versa Work Table to Versa Food Bar / Versa Work Table



VBRC90

End Table for Versa Food Bar / Versa Work Table (Standard Height)



VBRTBLL6, VBRTBL5, VBRTBLL5, VBRTBL6

Straight Connector for Versa Cart to Versa Food Bar / Versa Work Table (Standard Height)



VCSCNL, VCS32CNT

Keyboard Tray for Versa Cart



VCS32KEYT

Table of Contents

Introduction	1
Section I Assembly	2-4
A. Tray Rail – Versa Food Bar/Versa Work Table	2
B. Tray Rail – Versa Cart.....	3
C. Straight / Corner Connector – Versa Food Bar/Versa Work Table	3
D. End Table – Versa Food Bar/Versa Work Table	3
E. Straight Connector – Versa Cart.....	3
F. Well Cover – Versa Food Bar / Versa Work Table	4
G. Keyboard Tray – Versa Cart.....	4
Section II Cleaning and Maintenance.....	4
Section III Warranty.....	4
Section IV Replacement Parts.....	4

Introduction

This Owner's Manual provides you with a step-by-step guide to assembling, operating and maintaining your Versa Food Service System Accessories. For the latest version of this manual, visit www.cambro.com.

If you have any further questions, please do not hesitate to contact your Cambro Sales Representative, visit our Web site at www.cambro.com or call our Customer Service Department at 800 833 3003.



CAMBRO®

www.cambro.com

Section I - Assembly

A. Tray Rail – Versa Food Bar™ / Versa Work Table

Applies to the following tray rail models:
VBRR5 VBRR6

Tray Rail Parts List

- | | |
|--|--|
| 1 - Tray Rail (5') 153 cm or (6') 182 cm | 2 - Long Nylon Bushings (3 ¹ / ₄ ") 8,25 cm |
| 1 - Short Nylon Bushing (2 ¹ / ₂ ") 6,35 cm | 1 - Short Black Knob Bolt (4 ¹ / ₂ ") 11,4 cm |

- | |
|--|
| 2 - Long Black Knob Bolts (5 ¹ / ₄ ") 13,3 cm |
| 2 - Black Nylon Thumbscrews with stop plug |

Tool Required
3/16" Allen Wrench

Assembly

1. Make sure that both black thumbscrews are backed out so that the bushing sleeves are clear and open.
2. Place nylon bushing sleeves into each of the rail slide arms, placing the shortest bushing (2¹/₂") 6,35 cm into the center slide and the longer bushings (3¹/₄") 8,25 cm into the outer slide arms.
3. Locate rail along side of the bar body so that the slide arm lines up with the threaded insets.
4. Take the short black knob bolt (4¹/₂") 11,4 cm and insert it through the center hole and mount point on the body then through the rail slide and into the threaded insert on the opposite side of the mount. Tighten by hand.
5. Repeat this operation at both end mount points between rail and body at either end using the long black knob bolts (5¹/₄") 13,3 cm.
6. Once all bolts are tightened lift rail to a level position and push inward towards the body to engage rail. Rail should rest in a level position on its own.
7. If rail is a less than level position when engaged, check the set-screws which are at each slide inset on the body side just above each arm. These can be adjusted if needed to bring the rail to a level position.

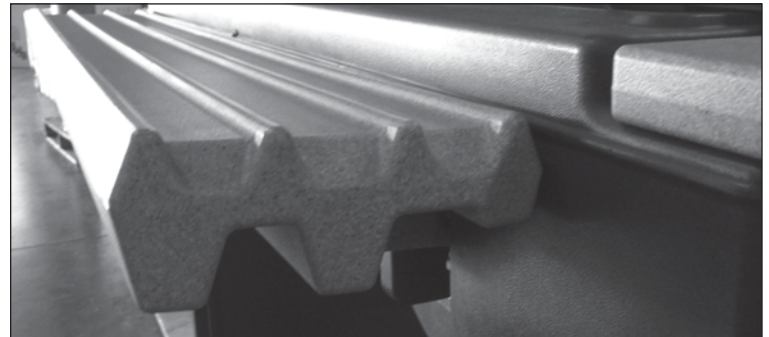


Figure A

If rail is at less than level position when engaged (Figure A) then:

1. Disassemble the tray rail from the food bar.
2. Find the three set-screws, at each slide inset just above each arm. (Figure B)
3. Using 3/16" Allen wrench, unscrew the set-screws slightly so the set-screws are not flush with the Food Bar body. (Figure C)
4. Repeat steps 1-3 for the second tray rail if necessary.
5. Assemble the tray rails again.
6. If the tray rail is less than level remove tray rail and continue to adjust the set-screws until tray rail is level.
8. With the rail in the up position and engaged, tighten the two nylon thumbscrews, one at each end of the tray rail. These screws act as lock pins for the rail when it is in the up position.
9. To lower the rails, back both nylon thumbscrews just enough to clear the slide bolts and then pull rail outward, allowing it to come down for transport or storage.

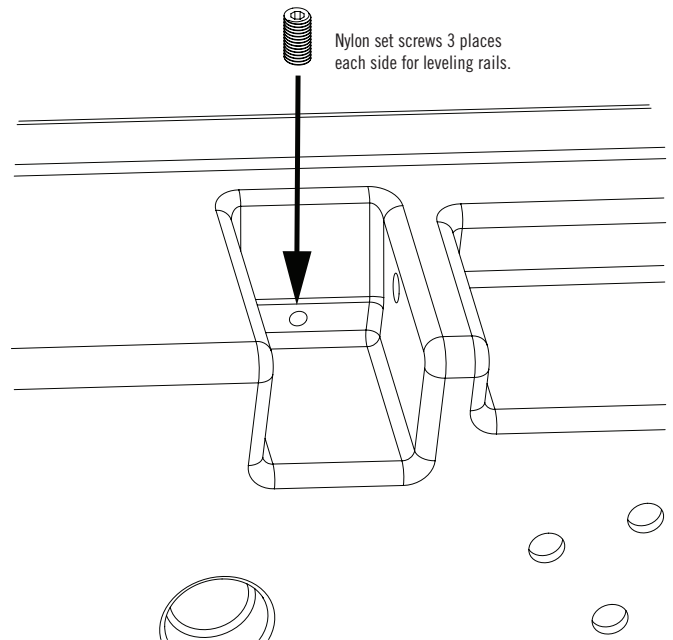


Figure B

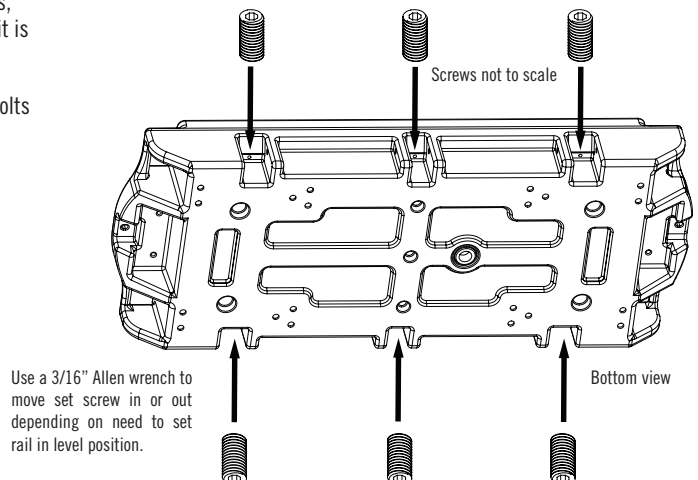


Figure C

B. Tray Rail – Versa Cart

Tray Rail Parts List

1 - Tray Rail	4 - Washers	2 - Black Knob Bolts
4 - Screws (3 1/4") 8,25 cm	2 - Nylon Bushings	

Assembly

1. Remove the drawer by unscrewing both knobbed bolts located under and inside the drawer interior area.
2. Remove the drawer from Cart body.
3. Remove the adjustable shelf and nylon thumbscrew from the Cart.
4. After picking desired side and height position on the Cart, remove the small black plugs from both inside and outside of the Cart wall where rail will be located.
5. Use the (3 1/4") 8,25 cm screws and washers (4 each) placing them through the sidewall from the inside outward and into the rail mount. Once all four screws are started, tighten with a screwdriver until mount is level and properly snug against Cart body.
6. Place one of the nylon bushing into the recessed hole of one side of the rail mount. Place tray rail onto the bushing end exposed.
7. Install second bushing through the rail slide on the opposite side and into the recessed hole on that side of mount base.
8. With the rail hanging from bushings install two black knob bolts through each bushing and engage into the threads of the mount base. Tighten by hand.
9. To check rail, lift to a slightly higher than level position and push inward towards cart body until angled portions of the rail and mount base engage and stop. Rail should rest into a level position.
10. To lower the rail slightly lift and pull rail outward and down.
11. With rail mounting complete place the black plugs back into remaining holes in the Cart wall being sure to install on both the inside and outside locations.

C. Straight / Corner Connector – Versa Food Bar™ / Versa Work Table

Straight / Corner Connector Parts List

1 - 1 Straight Connector or Corner Connector	2 - Nylon Thumbscrews
--	-----------------------

Assembly

1. Place both food bars so they are in-line and spaced approximately the distance needed to install the connector section.
2. For the Versa Food Bar only, lift each upright sneeze guard arm slightly to allow the end guard panels to swing inward towards the pan well area.
3. Lower the connector into the handle areas on both food bars to engage into place.
5. Install the nylon thumbscrews on either side underneath handle area securing connector to the food bar body. Look for thru hole centered between the handle openings.

D. End Table – Versa Food Bar / Versa Work Table

Tool Needed:

(9/16) 14 mm Wrench

End Table Parts List

1 - End Table	1 - Support Arm	1 - Mount Plate
3 - Hex Bolts	3 - Washers	1 - Nylon Thumbscrew

Assembly

1. Position mount plate on the bottom of the Food Bar or Work Table leg so the round pin on the angled portion of the plate is facing upward. The round pin of the plate should face up to engage the support arm.
2. Using the hex bolts and washers, secure the mount plate with a (9/16) 14 mm wrench. **NOTE:** Mount point is the 3 threaded holes in the central area of the leg bottom area between the casters.
3. On Versa Food Bars only, lift each upright arm both left and right enough to swing each of the end guard panels inward towards the pan well area.
4. Place end table section at the end of the body engaging the handles to lock onto the body for support. Install the nylon thumbscrew into the thru hole and threads located on the underside between the handles tightening it by hand. This will secure the table section to the food bar body.
5. Place the support arm so that the recessed end of the arm fits over the pin on the base mount plate.
6. While lifting the end table, move the other end of the rod into the socket in the center area of table underside. Release the table to rest on the arm.

E. Straight Connector – Versa Cart

Straight Connector Parts List

1 - Straight Connector	1 - Nylon Thumbscrew	4 - Black Knob Thumbscrews
------------------------	----------------------	----------------------------

Assembly

(Versa Cart to Standard Height Versa Food Bar or Versa Work Table)

1. Line up both the versa cart and food bar so they are close enough to attach connector to both units.
2. For Versa Food Bar only, lift each upright arm of the sneeze guard slightly to allow both end guard panels to be swung inward toward the pan well area.
3. Engage the end that connects to the food bar handle area and secure with the nylon thumbscrews on the underside hole located between the handles.
4. Push the Cart towards the connector so the curved ledge detail slides under the bottom ledge of the Cart counter top section. Match up the four threaded insert locations on the bottom side of the counter top.
5. Secure using the black knob thumbscrews.

Assembly

(Versa Cart to Low Height Versa Food Bar or Versa Work Table)

1. Install connector extension panel by placing it in front of unit so that it bolts to the front ledge of the counter top section on the cart. See four threaded inserts on underside of ledge that will match extension. Tighten with black knob thumbscrews.
2. Gently push the front of the decorative panel so that the panel curves inward.
3. Follow steps 1 to 5 above, with the exception of attaching Cart end of connector to the bottom of the extension panel securing the two with the black knob thumbscrews.

F. Well Cover – Versa Food Bar™ / Versa Work Table

Well Cover Parts List

1 - Well Cover

Assembly – No Assembly Required!

Well Cover Usage

1. The well cover can be used in a Versa Food Bar or Versa Work Table.
2. Making sure the Versa Food Bar or Versa Work Table is empty, place the well cover to fit over a section of the Versa Food Bar or Versa Work Table.
3. To completely cover the Versa Food Bar or Versa Work Table, 5 Well Covers cover a 6 Foot (183 cm) Food Bar / Work Table and 4 Well Covers are needed for a 5 Foot (152 cm) Food Bar / Work Table.

G. Keyboard Tray – Versa Cart

Keyboard Tray Parts List

1 - Keyboard Tray

Assembly – No Assembly Required!

Keyboard Tray Usage

1. The Keyboard Tray fits inside the lockable Versa Cart drawer.
2. A standard keyboard can be placed on the tray.
3. The tray pulls-out to sit level with the top of the drawer and slides down to store keyboard in drawer when not in use.

Section II – Cleaning and Maintenance

A. Cleaning Instructions

Clean using a mild detergent soap, clean and warm water, or steam clean. A plastic bristle brush can be used as well, rinse thoroughly with clean water. **WARNING:** Never use a metal brush or abrasive cleaners or pads. These tools will damage the product. If staining occurs, use any standard de-stainer.

B. Tips for Ensuring Years of Safe Use

To help protect your Cambro Versa Food Service System Accessories, reduce risk of injuries:

- Do not place any item hotter than 190°F (88°C) on any Accessory item.
- Do not place any Accessory against any direct heat source such as a hot oven or grill.
- Adhere to maximum weight limits on each Versa Accessory.
- Versa Accessories are not designed for leaning, sitting, climbing or standing.

Section III – Warranty

CAMBRO WARRANTY AND PRODUCT LIABILITY

Cambro warrants to the original buyer that if a product proves defective:

1. Within 1 year from the date of manufacture, Cambro will replace the product free of charge; or,
2. After 1 year and up to 2 years from the date of manufacture, Cambro will grant a credit of 2/3 off replacement product; or,
3. After 2 years and up to 3 years from the date of manufacture, Cambro will grant a credit of 1/3 of the original price towards a replacement product.

ABUSE OR MISUSE WILL VOID THIS WARRANTY

In the event of a defective product, your Cambro Sales Representative will collect appropriate information, such as date of manufacture and invoice information for warranty process. With proof of purchase to the original owner, Cambro Manufacturing will replace the product to the original owner.

NOTE: Your Cambro Sales Representative will determine if the product should be returned for inspection before issuing credit.

Section IV – Replacement Parts

Please visit www.cambro.com for a complete list of replacement parts or contact your local Cambro Representative or Distributor.



© Cambro Manufacturing Company, 5801 Skylab Road, Huntington Beach, CA 92647-2056
714 848 1555 / Toll Free 800 854 7631 / FAX 714 842 3430 / Customer Service 800-833-3003
UMVBRACS0906 Printed in USA 04/11 REV 0311