



DK50 B

- EN User manual
- RU Руководство пользователя
- PL Instrukcja obsługi
- SK Návod na použitie



COMPRESSOR
КОМПРЕССОР
SPREŽARKA
KOMPRESOR

DK50 B



EKOM spol. s r. o.
Priemyselná 5031/18
SK-921 01 Piešťany
Slovak Republic
tel.: +421 33 7967255
fax: +421 33 7967223

www.ekom.sk
email: ekom@ekom.sk

DATE OF LAST REVISION
ДАТА ПОСЛЕДНЕЙ РЕДАКЦИИ
DATA OSTATNIEJ AKTUALIZACJI
DÁTUM POSLEDNEJ REVÍZIE

02/2021

NP-DK50 B-A-1_02-2021
112000504-000

EN

CONTENTS..... 4

RU

ОГЛАВЛЕНИЕ..... 28

PL

SPIS TREŚCI 51

SK

OBSAH 74

CONTENTS

GENERAL INFORMATION.....	6
1. CONFORMITY WITH THE REQUIREMENTS OF THE EUROPEAN UNION.....	6
2. SYMBOLS.....	6
3. DEVICE USE	7
4. GENERAL SAFETY INSTRUCTIONS.....	7
5. STORAGE AND TRANSPORT CINDITIONS.....	9
PRODUCT DESCRIPTION	10
6. VARIANTS.....	10
7. PRODUCT FUNCTION	10
TECHNICAL DATA.....	12
INSTALLATION.....	13
8. INSTALLATION CONDITIONS	13
9. INSTALATION CONDITIONS	14
10. PNEUMATIC CONNECTION	15
11. ELECTRICAL CONNECTION	15
12. COMMISSIONING	16
13. ELECTRICAL DIAGRAMS	16
OPERATION.....	17
14. SWITCHING ON THE COMPRESSOR.....	18
15. SWITCHING OFF THE COMPRESSOR.....	18
PRODUCT MAINTENANCE	19
16. PRODUCT MAINTENANCE.....	19
17. LONG-TERM SHUTDOWN.....	25
18. DISPOSAL OF DEVICE	25
TROUBLESHOOTING.....	26
19. REPAIR SERVICE	27
ANNEX	97
20. INSTALLATION RECORD	97

GENERAL INFORMATION

Carefully read this user manual before using the product and carefully store it for future reference. The user manual aids in the proper use, including installation, operation and maintenance, of the product.

The user manual corresponds to the configuration of the product and its compliance with applicable safety and technical standards at the time of its printing. The manufacturer reserves all rights for the protection of its configuration, processes and names.

The Slovak version represents the original version of the user manual. The translation of the user manual is performed in accordance with the best available knowledge. The Slovak version is to be used in the event of any uncertainties.

The user manual is original and the translation is performed with the best available knowledge.

1. CONFORMITY WITH THE REQUIREMENTS OF THE EUROPEAN UNION

This product conforms to the requirements of the European Union 2006/42/EC, 2014/29/EU, 2014/35/EU, 2014/30/EU, 2011/65/EU and is safe if used in compliance with the intended use and if all safety instructions are followed.

User manual is in compliance with requirements of Directive 2006/42/EC.

2. SYMBOLS

The following symbols and marks are used in the User manual, on the device and its packaging:



General warning



Warning - risk of electric shock



Warning - compressor is controlled automatically



Warning - hot surface



General caution



Read the operating instructions



Refer to instruction manual



CE – marking



Protecting earthing



Terminal for ground connection



Package handling label – fragile



Package handling label – this side up



Package handling label – keep dry



Package handling label – temperature limits



Package handling label – limited stacking



Package label – recyclable material



Manufacturer

3. DEVICE USE

3.1. Intended use

The compressor is used as source of clean oil-free compressed air intended to be used in industry and laboratories, where parameters and properties of the compressed air are suitable.

The compressor is exclusively intended to compress air without content of explosive or chemically unstable substances.

The compressor is intended for operation in clean and dry rooms.

3.2. Incorrect use



Contamination risk.

Air from the compressor is without additional treatment not suitable for breathing and direct contact with food



Explosion risk.

The product is not intended for operation in rooms with explosion risk.

The compressor must not be used to compress aggressive gases.

The compressor must not be operated in premises with occurrence of flammable vapors.

The compressor must not be operated in other conditions as mentioned in Technical data.

Any other use of the product beyond the intended use is considered as incorrect use. The manufacturer is not responsible for any damages or injuries as a result of incorrect use or disobedience to instructions stated in this User manual. All risks shall be solely borne by the user/operator.

4. GENERAL SAFETY INSTRUCTIONS

The product is designed and manufactured so that any risks connected with its use are minimized and the product is safe for the user and surrounding when used according to the intended use and the instructions stated below are followed.

4.1. Required qualification of the personnel

- Each user must be trained by the manufacturer or an organization authorized by the manufacturer or instructed on the device operation by other trained user.

- Installation, new settings, changes, extensions and repairs of the product may be performed by the manufacturer or an organization authorized by the manufacturer (hereinafter qualified technician).
 - Otherwise the manufacturer is not responsible for safety, reliability and correct functioning of the product.

4.2. General instructions

- When operating the compressor, all acts and local regulations valid in the place of use must be observed. The operator and user are responsible for following the applicable regulations.
- Before every use, the user must check, if the device is functioning correctly and safely. Before building the compressor in other devices, the supplier must assess, if the supplied air and construction of the device comply with the requirements of the specified intended use. Taking this into account, follow the product technical data. Assessment of conformity shall be performed by the manufacturer – supplier of the final product.

4.3. Protection from dangerous voltage and pressure

- The equipment may only be connected to a properly installed socket connected to earth (grounded).
- Before the product is plugged in, make sure that the mains voltage and frequency stated on the product are the same as the power mains.
- Check for any damage to the connected compressed air system and electrical circuits before use. Replace damaged pneumatic and electrical conductors immediately.
- Immediately disconnect the product from the mains (remove the power cord from the socket) in hazardous situations or when a technical malfunction occurs.
- Never adjust or use the safety valve to release the air pressure in the air tank.
- Never adjust or use pressure relief valves to release air pressure from the device.

4.4. Original spare parts and accessories

- Only the use of original parts guarantees the safety of operating personnel and flawless operation of the product itself. Only accessories and replacement parts specified in the technical documentation or expressly approved by the manufacturer may be used.
- The warranty does not cover damage resulting from the use of other accessories and replacement parts as specified or recommended by the manufacturer and the manufacturer has no related liability.

5. STORAGE AND TRANSPORT CINDITIONS

The compressor is shipped from the manufacturer in transport packaging. This protects the product from damage during transport.



Potential for damage to pneumatic components.

The compressor must be transported only when all air has been vented. Before moving or transporting the compressor, release all the air pressure from the tank and pressure hoses, from dryer chambers and drain condensate from the tank and from the condensate separator on the dryer.



Keep the original factory packaging in case the device needs to be returned Use the original factory packaging during transport as it provides optimum protection for the product. . If it is necessary to return the product during the warranty period, the manufacturer is not liable for damages caused by improper packaging.



The compressor is shipped in a vertical position and must be secured using transport straps.



Protect the compressor from humid and dirty environments and extreme temperatures during transport and storage. Do not store near any volatile chemical substances.



If not, please dispose of the original packaging material in an environmentally-friendly way. The packaging cardboard can be recycled with old paper.



Storing or shipping the equipment in any conditions other than those specified below is prohibited.

5.1. Ambient conditions

Products may only be stored and transported in vehicles that are free of any traces of volatile chemicals under the following climactic conditions:

Temperature

–25°C to +55°C, 24 h at up to +70°C

Relative humidity

max. 90% (non-condensing)

PRODUCT DESCRIPTION

6. VARIANTS

The compressor is manufactured according to its intended application in the following variants:

- DK50 B** compressor on base for stand-alone room installations
- DK50 BS** compressor in cabinet with effective noise dampening for room installations



DK50 B



DK50 BS

7. PRODUCT FUNCTION

7.1. Compressor

The compressor (1) draws in air through a filter (8) and compresses it through a check valve (3) into an air tank (2). The connected apparatus draws the compressed air from the air tank until the pressure drops to a default preset level on the air-pressure switch (4) switching the compressor on. The compressor again compresses air into the nozzle until the maximum pressure is reached and the compressor switches off. After compressor aggregate is switched off, pressure hose shall be pressure-release solenoid valve (13). Safety valve (5) prevents the pressure in air chamber from rising above the maximal allowed value. The time of work of a compressor is recorded on an operation clock. The drain valve (7) releases the condensate from the air nozzle. Compressed, clean air free from oil traces is stored in the air tank ready for use.

7.2. Compressor cabinet

The soundproof box is compact yet allows sufficient exchange of cooling air. It can be placed in a dentist's office. The ventilator under the aggregate of a compressor provides cooling of compressor and it is in operation at the same time with an engine of the compressor. After prolonged use the temperature in the case may rise above 40°C, causing the cooling fan blower to automatically turn on. After cooling the case area to 32°C the fan blower turns off automatically.



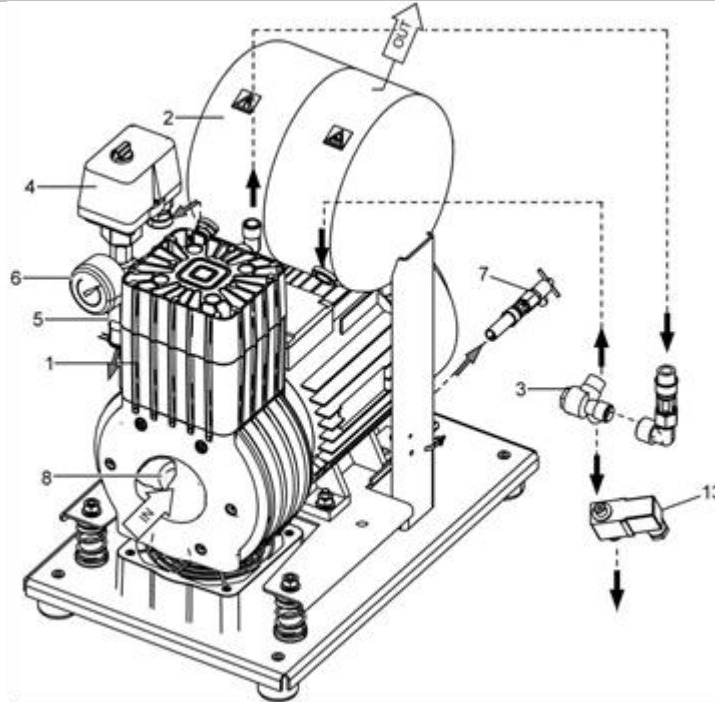
Risk of compressor overheating.

Make sure that there are no obstacles at the cooling air inlet into the cabinet (around the bottom part of the cabinet) and at the hot air outlet on the top back side of the cabinet.

If the compressor is placed on a soft floor, e.g. carpet, create space between the base and the floor or the cabinet and the floor, e.g. underlay the footings with hard pads to ensure sufficient cooling of the compressor.

Fig. 1: DK50 B - Compressor

Description to figure:



- 1 Air pump
- 2 Air tank
- 3 Non-return valve
- 4 Pressure switch
- 5 Safety valve
- 6 Pressure gauge
- 7 Outlet valve
- 8 Inlet filter
- 9 Solenoid valve

TECHNICAL DATA

Compressors are designed for operation in dry, ventilated and dust-free indoor rooms under the following climactic conditions:

Temperature +5°C to +40°C

Relative humidity max. 70%

Working pressure 9.5 – 11.5 bar		DK50 B	DK50 BS
Nominal voltage	V, Hz	230, 50	230, 50
Frequency		230, 60 ^{a)}	230, 60 ^{a)}
Capacity at 10 bar	l/min	50	50
Working pressure	bar	9.5 – 11.5	9.5 – 11.5
Max. current	A	3.5	3.5
Motor power	kW	0.55	0.55
Air tank volume	l	4	4
Maximum operating pressure of safety valve	bar	12	12
Noise level at 5 bar (L _{pA})	dB	≤65	≤45
Operating mode	%	Intermittent S 3-50	Intermittent S 3-50
Dimensions (net) w x d x h	mm	290x430x490	380x525x575
Net weight	kg	35	37
Net weight in packaging	kg	37	49

^{a)} Specify the compressor version when ordering

FAD correction of capacity for altitude

Capacity given in the form of FAD („Free Air Delivery“) applies to the following conditions:

Altitude	0 m.n.m.	Temperature	20°C
Atmospheric pressure	101325 Pa	Relative humidity	0%

To calculate FAD compressor capacity in dependence on altitude, it is necessary to apply correction factor according to the following table:

Altitude [m.n.m.]	0 - 1500	1501 - 2500	2501 - 3500	3501 - 4500
FAD correction factor	1	0.80	0.71	0.60

INSTALLATION**Risk of incorrect installation.**

Only a qualified technician may install the compressor and place it into operation for the first time. Their duty is to train operating personnel on the use and maintenance of the equipment. An entry is made in the equipment installation record to certify installation and operator training.

8. INSTALLATION CONDITIONS

- The compressor may only be installed and operating in dry, well-ventilated and clean environments under the conditions specified in the Technical Data chapter.

**Risk of damage to the device.**

The equipment may not be operated outdoors or in otherwise wet or damp environments.

**Risk of explosion.**

Do not use the equipment in the presence of explosive gases, dust or combustible liquids.

**Burn or fire hazard! Caution! Hot surface!**

Portions of the compressor may be hot and reach hazardous temperatures during compressor operation that may harm materials or operating staff.



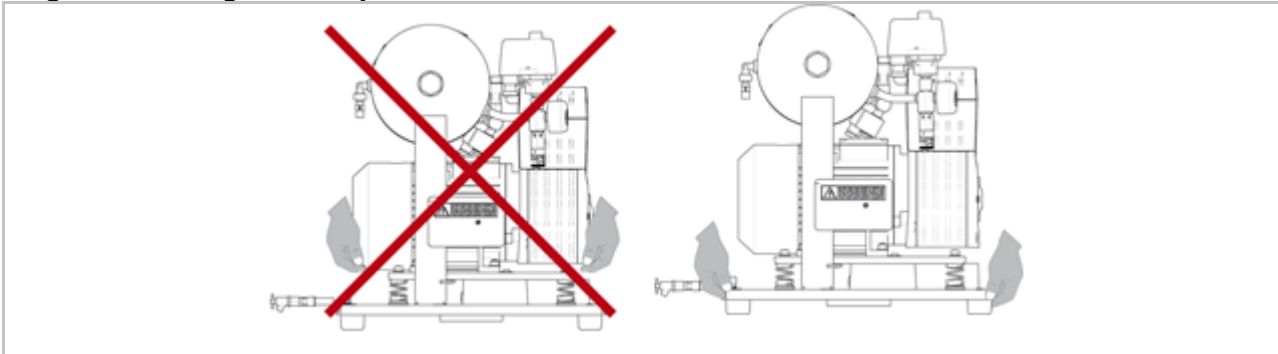
You may notice a “new product” odour when you first place the product into service (for a short period of time). This odour is temporary and does not impede the normal use of the product. Ensure the space is properly ventilated after installation.

- The compressor must be installed so that it is accessible at all times for operating and maintenance. Please ensure that the nameplate on the device is readily accessible.
- The compressor must stand on a flat, sufficiently stable base (be aware of the weight of the compressor, see the Technical Data chapter).
- Before connecting the compressor to equipment, the supplier must confirm that it meets all requirements for its use. Refer to the technical data of the product for this purpose. When a unit is to be built-in, classification and evaluation of compatibility must be done by the manufacturer or supplier of the product to be used.
- Any use other than that described in this manual is not covered by the guarantee, and the manufacturer is not liable for any damages that may result. The operator/user assumes all risk.

9. INSTALATION CONDITIONS

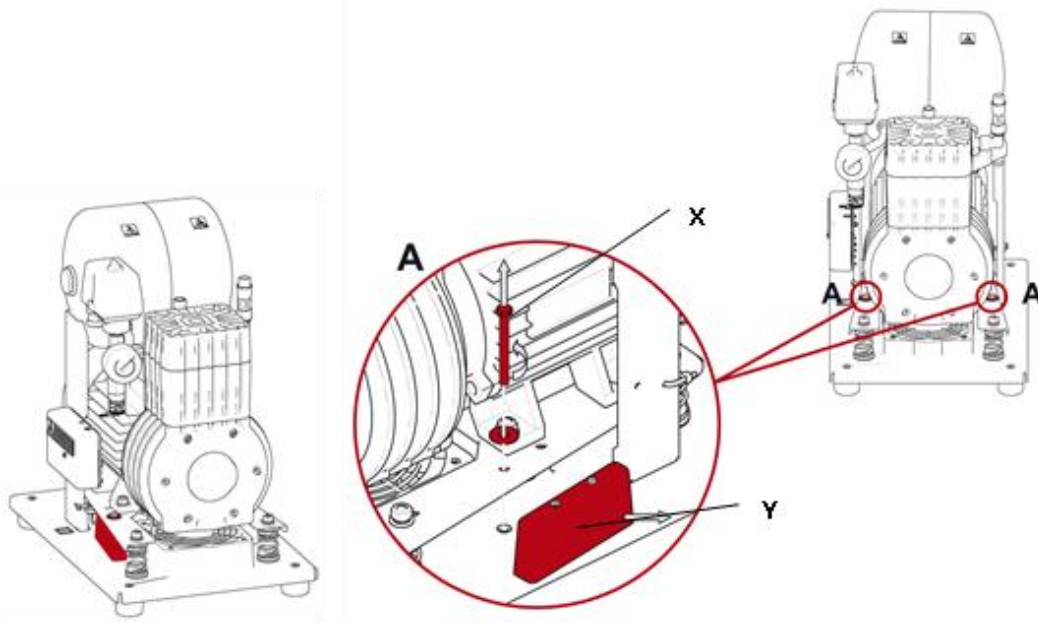
9.1. Handling and releasing the compressor

Fig. 2: Handling the compressor



Prior to installation, ensure that the compressor is free of all transport packaging and stabilizers to avoid any risk of damage to the product

Fig. 3: Releasing the air pumps



Compressor with base DK50 B (Fig. 3)

After removing all packaging material, place the product on the floor and remove stabilization parts X and Y (Detail A). Direct the output pressure hose, drain hose and power cord out the back of the compressor.

Compressor in box DK50 BS (Fig. 3)

After removing all packaging material, place the product on the floor and remove stabilization parts X and Y (Detail A). Direct the output pressure hose, drain hose and power cord out the back of the compressor. Slide the box over the compressor so that the front face of the box matches the front part of the compressor and the box is fully seated. Make sure that the pressure hose, drain hose and electric cord come out via the opening at the back of the box. Position the drain hose with its valve in the holder at the rear of the box.

10. PNEUMATIC CONNECTION

10.1. Connecting to the compressed air outlet

- The pressure line (2) is attached to the compressed air outlet (1) on the compressor and connect the hose to the pneumatic hose or directly to the supplied equipment.



Fig. 4: Connecting to the compressed air outlet

11. ELECTRICAL CONNECTION

- The product is delivered with a cord equipped with a plug with earthing pin.
- Keep the socket easily accessible to ensure that the device can be safely disconnected from the mains.
- Connection to the power distribution cabinet must be max.16 A



Risk of electric shock.

It is necessary to follow all local electro technical regulations. The mains voltage and frequency must comply with the data stated on the device label.



Risk of fire and electric shock.

Electrical cord must not be broken.



Risk of fire and electric shock.

Electrical cable must not be in contact with hot compressor components.

11.1. Connecting a compressor not installed in a cabinet

- Insert the mains plug into a rated mains socket.
- The compressor is ready for operation.

11.2. Connecting a compressor installed in a cabinet

- Route the mains plug through the opening in the rear wall of the cabinet for cabinet-mounted compressors.
- Connect the cabinet electrically to the compressor by inserting the provided power cord with connector into an outlet.
- Disconnect the cabinet electrically from the compressor by pulling the connector from the outlet while the latch is released.

12. COMMISSIONING

- Make sure all transport stabilizers were removed. (Fig. 3)
- Check that all compressed air hose connections are correct. (Fig. 4)
- Check correct connection to the mains (see chap. 11).
- Start compressor at pressure switch (2) by turning switch (3) to position "I."



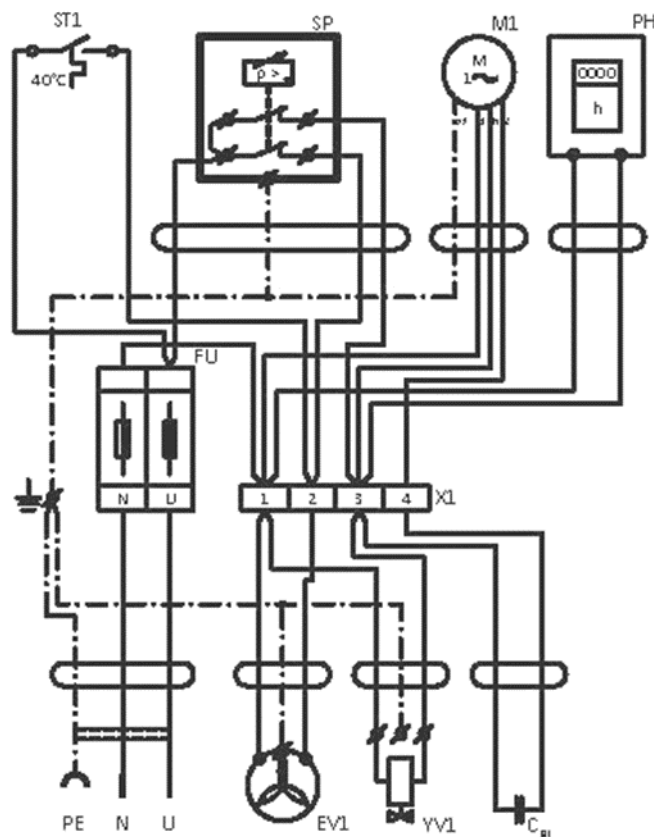
The compressor is not equipped with a backup power supply.

13. ELECTRICAL DIAGRAMS

DK50 B

1/N/PE~230 V, 50/60 Hz

ELEKTRIC OBJECT OF 1st. CAT.



Description to electrical diagrams:

M1 Motor of compressor
 EV1 Fan of compressor
 YV1 Solenoid valve
 FU Fuses

ST Temperature switch
 C1 Capacitor
 SP Pressure switch
 X1 Terminal box
 PH Hour counter

OPERATION

ONLY TRAINED PERSONNEL MAY OPERATE THE EQUIPMENT!



Risk of electric shock.

In case of emergency, disconnect the compressor from the mains (pull out the mains plug).



Burn or fire hazard.

Portions of the air pump may be hot and reach hazardous temperatures during compressor operation that may harm materials or operating staff.



Warning – compressor is controlled automatically.

Automatic start-up. When pressure in the pressure tank drops to switch-on pressure, the compressor automatically switches on. The compressor automatically switches off, when pressure in the air tank reaches the switch-off pressure.



Potential for damage to pneumatic components.

The working pressure settings for the pressure switch set by the manufacturer cannot be changed. Compressor operation at a working pressure below the switching pressure indicates high air usage (see the Troubleshooting chapter).



During prolonged operation of the compressor, the ambient temperature around the compressor may increase to over 40 °C. At this point the cooling fan automatically switches on. The fan switches off once the space is cooled to around 32 °C.

14. SWITCHING ON THE COMPRESSOR

Fig. 5: Switching the compressor



Switch on the compressor at the pressure switch (1) by turning the knob (2) to position “I.” The compressor sends pressurized air to the air tank. As the compressed air is used, the pressure in the air nozzle drops to a preset level, the compressor switches on and the air nozzle fills with compressed air. After reaching the cut-off pressure the compressor turns off automatically and the cycle is repeated. Check the value of switching-on and switching-off pressure on pressure gauge (3). The values may be within a tolerance of $\pm 10\%$. Air pressure in air chamber must not exceed maximal permitted operation pressure.



Risk of damage to pneumatic parts.

The pressure switch (1) was set up by the manufacturer and any other changes to its settings may be performed only by a qualified technician trained by the manufacturer.

15. SWITCHING OFF THE COMPRESSOR

- Switching off the compressor due to service or any other reason shall be performed using the pressure switch (1) by turning the switch (2) to position „0“ and **pulling out the mains plug from the socket**. This disconnects the compressor from the mains supply.(Fig. 5)
- Vent the pressure in the air tank to zero by opening the drain valve.

PRODUCT MAINTENANCE**16. PRODUCT MAINTENANCE**

The operator should carry out device checks regularly in the intervals defined by applicable regulations. Test results must be recorded.

The equipment has been designed and manufactured to keep maintenance to a minimum. The following work must be performed to preserve the proper and reliable operation of the compressor.



Unauthorised interference hazard.

Repair work outside the framework of standard maintenance (see Chapter 16.1) may only be performed by a qualified technician (an organisation authorized by the manufacturer) or the manufacturer's customer service.

Standard maintenance work (see Chapter 16.1) may only be performed by the operator's trained personnel.

Only use manufacturer-approved replacement parts and accessories.



Danger of injury or equipment damage.

Prior to commencing compressor maintenance, it is necessary to:

- **check if it is possible to disconnect the compressor from the appliance in order to avoid any risk of injury to the person using the appliance or other material damage;**
- **turn off the compressor;**
- **disconnect it from the mains (pulling the cord out of the mains socket);**
- **vent the compressed air from the air tank.**



Venting compressed air poses an injury hazard.

Wear eye protection, i.e. goggles, when venting compressed air from the compressed air circuit (air tank) and from the dryer chamber.



Burn hazard.

Pump components (head, cylinder, pressure hose) have high temperature during and shortly after compressor operation – do not touch these components!

Let the device cool before any product maintenance, service or connection/disconnection of pressurized air!

To ensure that the compressor works correctly, perform the following maintenance tasks at regular intervals.

16.2. Check of product operation

- Check pump condition – the pumps must operate evenly without excessive vibrations or noise. If there is any negative result, find the cause of the given condition or call service engineers.
- Check fans operation (visually) – the fans must be operating when the fans are running. If there is a negative result, look for the cause of the given condition or call service engineers.
- Check if the power cord and pneumatic hoses are not damaged. Replace the damaged parts or call service engineers.
- Check ambient temperature – ambient temperature must be below temperature limit (40°C). Improve cooling in the room if the temperature is higher.
- Compressor with air dryer - open the plug on the condensate collecting bottle and drain the condensate

16.3. Check the compressed air connections for leaks and inspect the equipment

Leak testing

- Check the compressor's compressed air lines for leaks during operation – pressure supplied by the compressor.
- Use a leak analyser or soapy water to check all joints and connections for leaks. Tighten or reseal the connection where leaks are found.

Inspecting the equipment

- Check condition of the compressor pump – even operation, appropriate noise level.
- Check fans operation – fans must be running in the defined cycles of the compressor operation.
- Check function of the temperature switch (B2) – heat the temperature switch to temperature above 40°C (e.g. using a heat gun – Be careful, do not operate with high temperature on plastic components in the surrounding, it can cause deformation of plastic materials). Fan EV1 (and EV2 on compressor with dryer) starts up once the temperature reaches 40°C – the compressor must be under voltage.
- Check filters condition – filters must be undamaged and sufficiently clean.
- Check condition of the pump itself, check if there is no dirt inside the crankcase or clearance in the crankshaft.
- Replace any defective parts if there are any failures.

16.4. Inspection of electrical connections



Risk of electric shock.

Inspect the product's electrical connections when the mains are disconnected.

- Check mechanical function of the main switch.
- Check if the power cable and conductors are not damaged.
- Visually check if cables are connected to the terminal box.
- Check all screw connections of the green-yellow PE grounding conductor.

16.5. Condensate drain



Open the drain valve carefully and slowly. If the drain valve is opened too much, it is accompanied by high noise level and uncontrolled jet of the accumulated condensate.



A wet floor resulting from overflow from the vessel poses a slip hazard.

During regular operation, it is recommended to drain condensate from the pressure tank.

- Switch off the compressor from the mains and decrease air pressure in the device to max. 1 bar, e.g. by releasing air through the connected device.
- Install the hose with condensate drain valve into the prepared bottle and drain condensate from the tank by opening the drain valve (1).

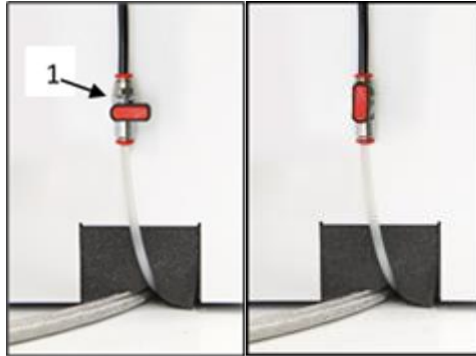


Fig. 6: Check of the condensate collection vessel



For compressor DK50 BS the case must be removed before beginning the following procedures.

16.6. Check of safety valve

- Turn the screw (2) on the safety valve (1) several times to the left until the safety valve releases the air.
- Let the safety valve vent for a few seconds.
- Turn the screw (2) fully to the right, the valve must be closed now.



Fig. 7: Check of safety valve



Damage to the safety valve could cause pressure to rise to hazardous levels.

Never use the safety valve to release the air pressure in the air tank. This could damage the safety valve. The valve is set to the maximum permitted pressure by the manufacturer.

Never adjust a safety valve.



Venting compressed air poses an injury hazard.
Wear safety glasses when inspecting a safety valve.

16.7. Inlet filter replacement

- Pull out the rubber plug (2) by hand.
- Remove the dirty inlet filter (1).
- Insert a new filter and mount the rubber plug.

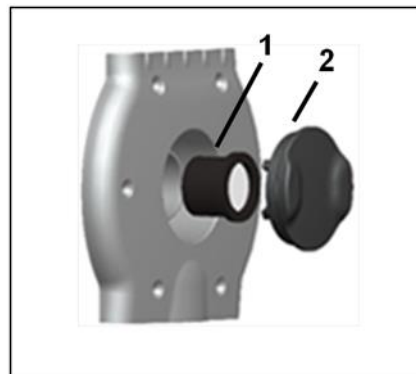


Fig. 8: Inlet filter replacement

16.8. Inspecting the cooled and fan

The equipment, in particular the compressor fan, cooler fan, and the cooler, must be kept clean to ensure efficient drying. Remove dust from the surface of the cooling fins and fans by vacuuming or blowing down with compressed air.

16.9. Procedure for connecting a compressor disconnected from the cabinet



Prior to any maintenance or repair work, switch off the compressor and disconnect it from the mains (pull out the mains plug).

The compressor (without cabinet) requires that the jumper is always mounted in the terminal strip for correct operation (Fig. 9 pos. B). It then replaces the switch on the cabinet.



If there is no jumper in the terminal strip of the compressor (disconnected from the cabinet), the compressor will not work!

If the cord between the compressor and the cabinet becomes disconnected (by pulling the mains plug) and the compressor is removed from the cabinet, the compressor will not be functional. This is why it is necessary to first create a connection to the terminal strip with a jumper (replacing the circuit breaker function) (Fig. 9 pos. A).

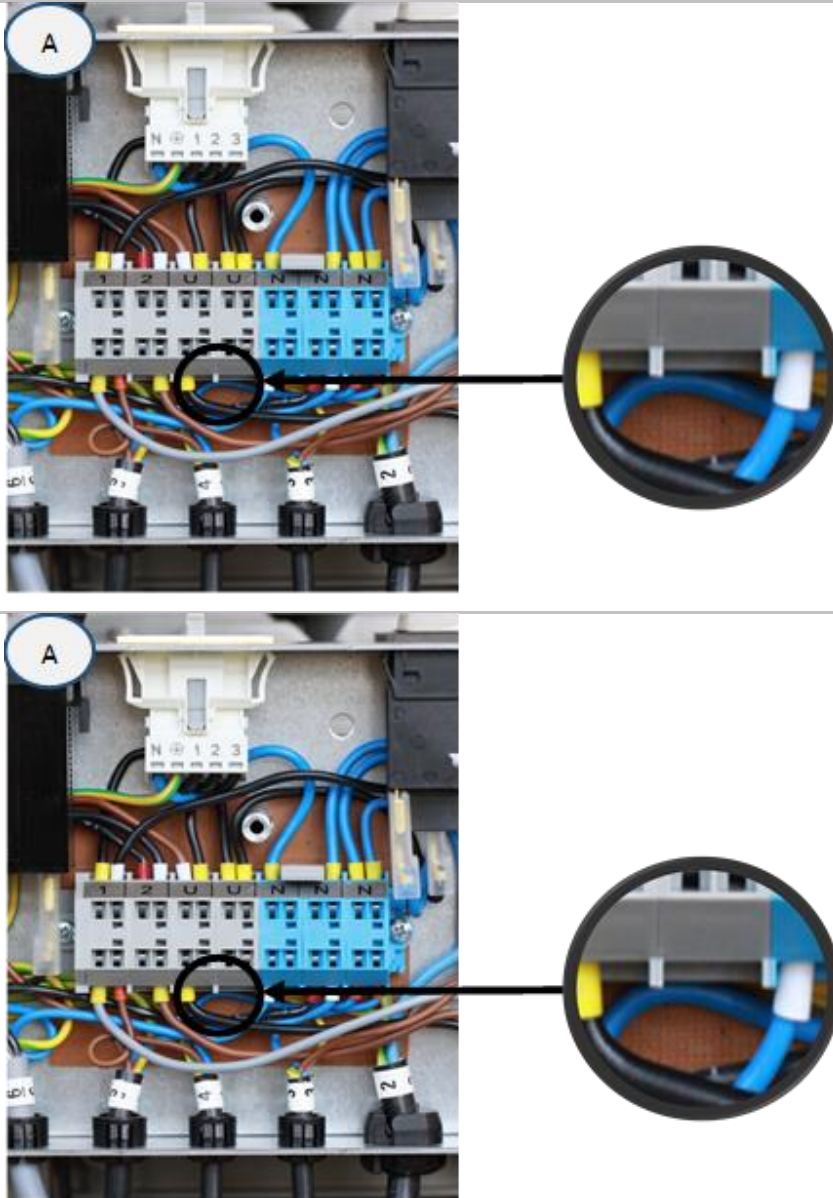
PROCESS:

Jumper installation (A-B process)

- Disconnect the product from the mains by pulling the plug out of the socket.
- Remove the cover on the electrical panel (on the compressor).
- The jumper is not in the terminal strip – A.
- Insert the jumper into the terminal strip – B.
- Reinstall the cover on the electrical panel.
- Connect the device to the electrical mains.
- Activate the compressor by turning on the switch on the pressure switch.,

Compressor - when operating outside the cabinet, the electrical connection with an installed jumper **must** be created.

Fig. 9:



230 V

16.10. Procedure for connecting a compressor to a new cabinet



Prior to any maintenance or repair work, switch off the compressor and disconnect it from the mains (pull out the mains plug).

The compressor in a cabinet requires that the jumper is not mounted in the terminal strip for correct operation (Fig. 9 pos. A). The switch on the cabinet switches the entire product on and off, including the compressor.



If there is a jumper in the terminal strip of the compressor connected to a cabinet, the switch on the compressor cabinet will not work!

If we want to connect a new cabinet to a compressor that previously worked alone (a compressor without a cabinet), then it is necessary to cancel the connection in the compressor terminal strip by performing the procedure, see further. (Fig. 9 Pos. B). (See also chap. 11.1 and 11.2).

PROCESS:**Jumper removal (B-A process)**

- Disconnect the product from the mains by pulling the plug out of the socket.
- Remove the cover on the electrical panel (on the compressor).
- The jumper is in the terminal strip – B
- Remove the jumper from the terminal strip – A
- Reinstall the cover on the electrical panel.
- Insert the compressor into the cabinet.
- Connect the cabinet to the compressor by inserting the power cord with connector into a power socket.
- Connect the device to the electrical mains
- Activate the compressor by turning on the switch on the pressure switch and the switch (4) on the cabinet (Fig. 5)

Compressor with cabinet - when operating in the cabinet, there **must not be** an electrical connection. (Fig. 9 pos A).

Note: **In case of using a compressor without a cabinet or in case of maintenance, a jumper which is not installed into the terminal strip should be kept** in a designated place next to the electrical panel.

16.11. Cleaning and disinfection of the exterior surfaces of the product

Clean and disinfect the exterior surfaces with neutral cleaning products.



Use of aggressive detergents and disinfectants containing alcohol and chlorides can lead to surface damage and discolouration.

17. LONG-TERM SHUTDOWN

If the compressor will not be used for a prolonged time period, drain any condensate from the air tank. Then turn on the compressor for 10 minutes, keeping the drain valve open (1) (Fig. 6). Switch off the compressor by switch (2) at pressure switch (1) (Fig. 5), close the drain valve and disconnect the appliance from the mains.

18. DISPOSAL OF DEVICE

- Disconnect the equipment from the mains.
- Release the air pressure in the pressure tank by opening the drain valve (1) (Fig. 6).
- The components of the product are non-toxic.
- Dispose of the appliance following all environmental regulations.

TROUBLESHOOTING**Risk of electric shock.****Before interfering with the equipment, first disconnect it from the mains (remove the power socket).****Working with pressurised pneumatic components poses a risk of injury.****Before interfering with the equipment, vent the air tank and the compressed air system to zero pressure.****Troubleshooting may only be performed by a qualified service technician.**

Malfunction	Possible cause	Solution
Compressor does not switch on	No voltage in the pressure switch	Check voltage in socket
		Check circuit breaker switch – switch to position switched-on „I“
		Loose conductor from terminal - repair
		Check electrical cord – replace defective cord
	Motor winding failure, damaged thermal protection	Replace motor or windings
	Capacitor failure	Replace capacitor
Cabinet switch does not switch off the compressor	Seized piston or other rotating part	Replace damaged components
	Pressure switch does not switch	Check function of pressure switch
Compressor often switches on	There is a compressor in the cabinet that previously worked separately (there is a jumper in the compressor terminal strip)	Remove the jumper from the terminal strip, see chap. 17.10
	Air leakage in pneumatic system	Check pneumatic system – seal loose connections
	Non-return valve (SV) leakage	Clean non-return valve, replace seals, replace non-return valve
	Large volume of condensed liquid in pressure tank	Drain condensed liquid
Low pressure in the air tank (compressor running constantly)	Low compressor capacity	Check time of filling the air tank
	High air consumption of supplied equipment	Decrease air consumption Use compressor with higher capacity
	Leakage in pneumatic system	Check pneumatic system – seal loose connections
	Low capacity of the pump	Clean / replace the pump
	Pump failure	Clean / replace the pump
Prolonged operation of the	Dryer failure	Replace dryer
	Air leakage in pneumatic system	Check pneumatic system – seal loose connection

compressor	Worn piston ring	Replace worn piston ring
	Dirty inlet filter	Replace dirty filter with new filter
	Incorrect function of solenoid valve	Repair or replace fan or coil
Compressor is noisy (knocking, metal noises)	Damaged piston bearing, piston rods, motor bearing	Replace damaged bearing
	Loose (cracked) dampening element (spring)	Replace damaged spring

19. REPAIR SERVICE

Warranty and post-warranty repairs must be done by the manufacturer, its authorized representative, or service personnel approved by the supplier.

Attention.

The manufacturer reserves the right to make changes to the equipment without notice. Any changes made will not affect the functional properties of the equipment.

ОГЛАВЛЕНИЕ

ОБЩИЕ СВЕДЕНИЯ	29
1. СООТВЕТСТВИЕ ТРЕБОВАНИЯМ ДИРЕКТИВ ЕВРОПЕЙСКОГО СОЮЗА.....	29
2. ИСПОЛЬЗУЕМЫЕ ЗНАКИ	29
3. ИСПОЛЬЗОВАНИЕ УСТРОЙСТВА.....	30
4. ВАЖНЫЕ ИНСТРУКЦИИ ПО ТЕХНИКЕ БЕЗОПАСНОСТИ.....	31
5. УСЛОВИЯ ХРАНЕНИЯ И ТРАНСПОРТИРОВКИ	32
ОПИСАНИЕ ИЗДЕЛИЯ.....	33
6. ВАРИАНТЫ ИСПОЛНЕНИЯ.....	33
7. PRODUKTFUNKTION.....	33
ТЕХНИЧЕСКИЕ ХАРАКТЕРИСТИКИ	35
УСТАНОВКА.....	36
8. УСЛОВИЯ ПРИ УСТАНОВКЕ.....	36
9. УСТАНОВКА ИЗДЕЛИЯ.....	37
10. ПНЕВМАТИЧЕСКИЕ СОЕДИНЕНИЯ.....	38
11. ЭЛЕКТРИЧЕСКИЕ СОЕДИНЕНИЯ	38
12. ПЕРВЫЙ ПУСК В ЭКСПЛУАТАЦИЮ	39
13. ЭЛЕКТРИЧЕСКИЕ СХЕМЫ	39
ЭКСПЛУАТАЦИЯ.....	40
14. ВКЛЮЧЕНИЕ КОМПРЕССОРА.....	41
15. ВЫКЛЮЧЕНИЕ КОМПРЕССОРА.....	41
ТЕХНИЧЕСКОЕ ОБСЛУЖИВАНИЕ УСТРОЙСТВА	42
16. ТЕХНИЧЕСКОЕ ОБСЛУЖИВАНИЕ УСТРОЙСТВА.....	42
17. ПРИОСТАНОВЛЕНИЕ ЭКСПЛУАТАЦИИ	48
18. УТИЛИЗАЦИЯ ОБОРУДОВАНИЯ	48
ПОИСК НЕИСПРАВНОСТЕЙ И ИХ УСТРАНЕНИЕ	49
19. СВЕДЕНИЯ ОБ УСЛУГАХ ПО РЕМОНТУ.....	50
ПРИЛОЖЕНИЕ	97
20. ОТЧЕТ ОБ УСТАНОВКЕ.....	98

ОБЩИЕ СВЕДЕНИЯ

Прежде чем использовать изделие, внимательно прочитайте это руководство пользователя. Сохраните его для дальнейшего использования. Настоящее руководство пользователя поможет в правильной установке, эксплуатации и техническом обслуживании изделия.

Руководство пользователя соответствует конфигурации изделия и отвечает стандартам безопасности и техническим условиям, действующим на момент печати. Производитель оставляет за собой все права на патентную защиту своих процессов, названий и конфигурации.

Исходной версией руководства пользователя является версия на словацком языке. Переводить руководство пользователя следует с учетом всей доступной информации. В случае сомнений нужно использовать версию на словацком языке.

Это перевод оригинала руководства пользователя с английского языка. Перевод выполнен с учетом всей доступной информации.

1. СООТВЕТСТВИЕ ТРЕБОВАНИЯМ ДИРЕКТИВ ЕВРОПЕЙСКОГО СОЮЗА

Это изделие соответствует требованиям следующих директив ЕС: 2006/42/ЕС, 2014/29/EU, 2014/35/EU, 2014/30/EU, 2011/65/EU. Его можно безопасно использовать по назначению при условии соблюдения всех применимых требований техники безопасности.

Руководство пользователя подготовлено в соответствии с требованиями Директивы 2006/42/ЕС.

2. ИСПОЛЬЗУЕМЫЕ ЗНАКИ

В руководстве пользователя, на самом изделии и его упаковке используются следующие символы и знаки:



Общее предупреждение



Предупреждение. Опасность поражения электрическим током



Предупреждение. Компрессор управляется автоматически



Предупреждение. Горячая поверхность



Общие предупреждения



См. руководство пользователя











Следуйте указаниям, содержащимся в руководстве пользователя



Маркировка CE



Заземление

	Клемма заземления
	Маркировка на упаковке — ХРУПКИЙ ПРЕДМЕТ
	Маркировка на упаковке — ЭТОЙ СТОРОНОЙ ВВЕРХ
	Маркировка на упаковке — БЕРЕЧЬ ОТ ВЛАГИ
	Маркировка на упаковке — ТЕМПЕРАТУРНЫЕ ОГРАНИЧЕНИЯ
	Маркировка на упаковке — ШТАБЕЛИРОВАНИЕ ОГРАНИЧЕНО
	Маркировка на упаковке — ПРИГОДНО ДЛЯ ВТОРИЧНОЙ ПЕРЕРАБОТКИ
	Производитель

3. ИСПОЛЬЗОВАНИЕ УСТРОЙСТВА

3.1. Назначение

Компрессор используется для подачи чистого обезмасленного сжатого воздуха в промышленных и лабораторных условиях, в которых характеристики и свойства сжатого воздуха, подаваемого компрессором, соответствуют указанному целевому назначению.

Компрессор предназначен исключительно для подачи воздуха, который не содержит взрывоопасных или химически неустойчивых веществ.

Компрессор предназначен для эксплуатации в чистых и сухих помещениях.

3.2. Ненадлежащее использование



Опасность загрязнения.

Воздух из компрессора не подходит для вдыхания или непосредственного контакта с продуктами питания без дополнительной обработки.



Опасность взрыва.

Изделие нельзя использовать во взрывоопасных средах.

Компрессор нельзя использовать для подачи химически агрессивных газов.

Компрессор нельзя использовать в пространствах, где есть воспламеняемые газы.

Компрессор нельзя эксплуатировать в условиях, которые отклоняются от условий, указанных в разделе «Технические характеристики».

Любая эксплуатация изделия в целях, отличных от предусмотренных, считается ненадлежащим его использованием. Производитель не несет ответственности за повреждения и травмы, вызванные ненадлежащим использованием изделия или несоблюдением инструкций, изложенных в руководстве пользователя. Все риски принимает на себя оператор или пользователь

4. ВАЖНЫЕ ИНСТРУКЦИИ ПО ТЕХНИКЕ БЕЗОПАСНОСТИ

Изделие спроектировано и изготовлено таким образом, чтобы максимально уменьшить все риски, связанные с его использованием. Изделие не представляет опасности для пользователя и окружающей среды при условии использования по назначению и соблюдения следующих инструкций.

4.1. Требуемая квалификация персонала

- Каждый пользователь должен пройти обучение у производителя или уполномоченной им организации или ознакомиться с принципом работы оборудования через другого обученного пользователя.
- Установку, перенастройку, исправления, изменения и ремонтные работы осуществляют производитель или уполномоченный им поставщик услуг («квалифицированный технический специалист»).
- В противном случае производитель не несет ответственности за безопасность, надежность и надлежащее функционирование изделия.

4.2. Общие инструкции

- Изделие необходимо эксплуатировать в соответствии со всеми региональными стандартами и нормами. Оператор и пользователь несут ответственность за соблюдение следующих норм.
- Перед каждым использованием оператор должен убедиться, что оборудование функционирует надлежащим образом и безопасно для эксплуатации. Прежде чем интегрировать компрессор в другое оборудование, поставщик должен определить, соответствуют ли подаваемый воздух и конструкция оборудования требованиям для определенного использования. При принятии во внимание этой информации соблюдайте технические характеристики. При интеграции устройства в другое оборудование производитель или поставщик готового изделия несут ответственность за оценку соответствия.

4.3. Защита от опасного напряжения и давления

- Оборудование можно подключать только к надлежащим образом установленной и заземленной розетке.
- Перед подключением изделия к сети необходимо проверить, соответствуют ли указанные на устройстве напряжение и частота соответствующим значениям электрической сети.
- Перед эксплуатацией проверьте подключенную систему подачи сжатого воздуха и электрические цепи на предмет наличия повреждений. В случае повреждения пневматических и электрических проводников немедленно замените их.
- При возникновении опасной ситуации или технической неисправности немедленно отсоедините изделие от электрической сети (вытащите сетевой шнур из розетки).
- Запрещается регулировать или использовать предохранительный клапан для сброса давления воздуха в ресивере.
- Запрещается регулировать или использовать клапаны сброса избыточного давления для сброса давления воздуха в устройстве.

4.4. Запасные части и принадлежности производителя оборудования

- Только использование оригинальных частей гарантирует безопасность обслуживающего персонала и бесперебойную работу самого изделия. Разрешается применять только те принадлежности и запасные части, которые указаны в технической документации или утверждены производителем.

- Гарантия не распространяется на повреждения, возникшие в результате использования принадлежностей и запасных частей, которые отличаются от тех, которые были указаны или рекомендованы производителем. И производитель не несет ответственности за эти повреждения

5. УСЛОВИЯ ХРАНЕНИЯ И ТРАНСПОРТИРОВКИ

Компрессор поставляется от производителя в транспортной упаковке. Она защищает изделие от повреждений во время транспортировки.



Возможно повреждение пневматических компонентов.

Компрессор можно транспортировать только после полного отведения воздуха. Перед перемещением или транспортировкой компрессора сбросьте давление воздуха в ресивере, напорных шлангах и камерах осушителя, а также слейте водяной конденсат из ресивера и отделителя конденсата на осушитель.



Сохраните оригинальную заводскую упаковку на случай, если понадобится вернуть устройство. Во время транспортировки используйте оригинальную заводскую упаковку, поскольку она обеспечивает оптимальную защиту изделия. При возврате изделия в течение гарантийного срока производитель не несет ответственности за повреждения, вызванные ненадлежащей упаковкой.



Компрессор поставляется в вертикальном положении и должен быть зафиксирован с помощью транспортных ремней.



При транспортировке и хранении берегите компрессор от влаги, загрязнений и экстремальных температур. Не храните компрессор вблизи летучих химических веществ.



В противном случае утилизируйте оригинальную упаковку экологически безопасным способом. Упаковочный картон можно перерабатывать вместе со старой бумагой.



Запрещается хранить или транспортировать оборудование в условиях, отличных от указанных ниже.

5.1. Условия окружающей среды

Изделия можно хранить и перевозить только в транспортных средствах, не содержащих остатков летучих химических веществ, при указанных ниже климатических условиях:

Температура

от -25 до $+55$ °C (24 ч при температуре до $+70$ °C)

Относительная влажность

макс. 90% (при отсутствии конденсата)

ОПИСАНИЕ ИЗДЕЛИЯ

6. ВАРИАНТЫ ИСПОЛНЕНИЯ

Компрессор производится в следующих вариантах исполнения:

DK50 B

с основанием, которое позволяет разместить компрессор самостоятельно в любом помещении клиники.

DK50 BS

в компактных шкафчиках с активным поглощением шума, подходят для размещения в медицинском кабинете.



DK50 B



DK50 BS

7. PRODUKTFUNKTION

7.1. Компрессор

Агрегат Компрессора (1) всасывает атмосферный воздух через входной фильтр (8) и сжимает его через обратный клапан (3) в ресивер (2). Электроприбор потребляет сжатый воздух из ресивера, тем самым, понижается давление до давления включения, установленного на реле давления (4), при котором включится компрессор. Компрессор опять сжимает воздух в ресивер вплоть до значения давления выключения, когда выключится компрессор. После выключения компрессорного агрегата происходит выпуск воздуха из напорного шланга через разгрузочный соленоидный клапан (13). Предохранительный клапан (5) предотвращает повышение давления в ресивере сверх максимального допустимого значения. Время работы, записанные на счетчик времени компрессора. Через выпускной клапан (7) выпускается конденсат из ресивера. Сжатый и чистый воздух без следов масла в ресивере подготовлен для дальнейшего применения

7.2. Шкафчик компрессора

Шкафчик обеспечивает компактное прикрытие компрессора, чем действительно поглощается шум и в то же время обеспечивается достаточная замена охлаждающего воздуха. По своему дизайну подходит для размещения в кабинете как составная часть мебели. Вентилятор под агрегатом компрессора обеспечивает охлаждение компрессора и работает одновременно с двигателем компрессора.. После длительного хода компрессора может повыситься температура в шкафчике свыше 40°C, после этого автоматически включится охлаждающий вентилятор. После охлаждения объема внутри корпуса примерно ниже 32°C, вентилятор автоматически выключится.

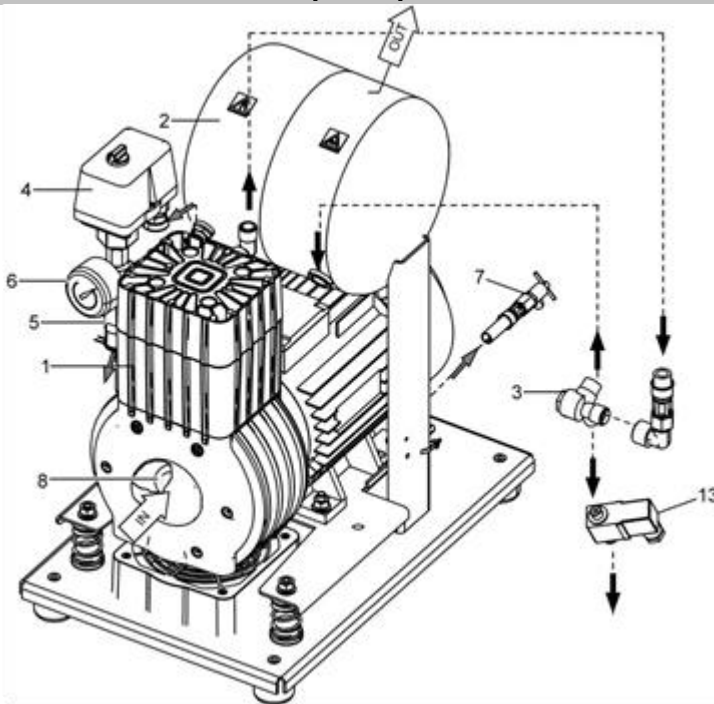


Запрещается создавать препятствия для поступления охлаждающего воздуха в шкафчик (по периметру нижней части шкафчика) и на выходе горячего воздуха в верхней, задней части шкафчика

В случае установления компрессора на мягкий пол, например, ковер, необходимо создать щель между основанием и полом или винтом и полом, например, подложить основание твердыми подложками по причине обеспечения хорошего охлаждения компрессора

Рис. 1: DK50 В - Компрессор

Описание для рисунков :



- 1 Агрегат Компрессора
- 2 Ресивер
- 3 Обратный клапан
- 4 Реле давления
- 5 Предохранительный клапан
- 6 Манометр
- 7 Выпускной клапан конденсата
- 8 Входной фильтр
- 9 Соленоидный клапан

ТЕХНИЧЕСКИЕ ХАРАКТЕРИСТИКИ

Компрессоры предназначены для эксплуатации в сухих, проветриваемых и незапыленных помещениях при указанных ниже климатических условиях.

Температура

от +5 до +40 °C

Относительная влажность

макс. 70%

Рабочее давление 6–8 бар		DK50 B	DK50 BS
Номинальное напряжение / частота	В, Гц	230, 50 230, 60 ^{a)}	230, 50 230, 60 ^{a)}
Мощность компрессора при избыточном давлении 10 бар	л.мин-1	50	50
Рабочее давление агрегата компрессора	бар	9,5 – 11,5	9,5 – 11,5
Мощность двигателя	кВт	0,55	0,55
Максимальный ток	а	3,5	3,5
Объем ресивера	л	4	4
Допустимое эксплуатационное давление предохранительного клапана	бар	12	12
Уровень звука	LpFA [дБ]	≤65	≤45
Режим эксплуатации компрессора	%	прерываемый S 3 – 50%	прерываемый S 3 – 50%
Размеры компрессора ш x гл x в	мм	290x430x490	380x525x575
Масса компрессора	кг	35	37
Масса компр. в картонной коробке	кг	37	49

^{a)} Bei Bestellung die Kompressorversion angeben

FAD-Kapazitätskorrektur für Höhenlagen

Die Kapazität in Form von FAD („Free Air Delivery“ = Volumenstrom bzw. Liefermenge) gilt für die folgenden Bedingungen:

Н Höhenlage	0 m ü. M.	Temperatur	20 °C
Umgebungsdruck	101325 Pa	Relative Feuchtigkeit	0 %

Um die FAD-Kompressorkapazität in Abhängigkeit von der Höhenlage zu berechnen, muss der Korrekturfaktor gemäß der folgenden Tabelle angewendet werden:

Н Höhenlage [m ü. M.]	0 bis 1.500	1.501 bis 2.500	2.501 bis 3.500	3.501 bis 4.500
FAD-Korrekturfaktor	1	0,80	0,71	0,60

УСТАНОВКА



Риск неправильной установки.

Установку компрессора и ввод его в эксплуатацию должен выполнять только квалифицированный технический специалист. Этот специалист должен обучить представителей обслуживающего персонала эксплуатации и техническому обслуживанию оборудования. Чтобы подтвердить установку и обучение операторов, необходимо внести запись в журнал установки оборудования. (См. раздел «Приложение»)

8. УСЛОВИЯ ПРИ УСТАНОВКЕ

- Компрессор можно устанавливать и эксплуатировать только в сухих, хорошо проветриваемых и чистых помещениях, условия окружающей среды в которых соответствуют требованиям, изложенным в разделе «Технические характеристики».



Опасность повреждения устройства.

Оборудование нельзя эксплуатировать на открытом воздухе или во влажных либо сырых средах.



Опасность взрыва.

Запрещается применять оборудование в помещениях с наличием взрывоопасных газов, пыли или воспламеняющихся жидкостей.



Опасность ожогов или возгорания. Внимание! Горячая поверхность!

Во время работы компрессора детали компрессора, осушителя и соединительные шланги между осушителем и компрессором могут нагреваться до опасных температур, что может повредить материалы или причинить вред обслуживающему персоналу.



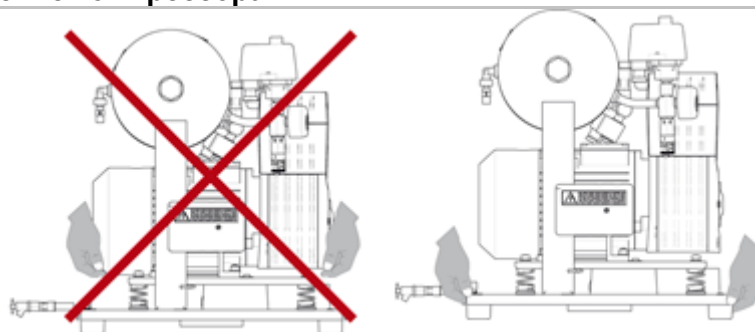
После первого ввода изделия в эксплуатацию какое-то время может быть заметен «запах новой техники». Этот запах вскоре исчезнет, и он никак не влияет на нормальную эксплуатацию изделия. После установки убедитесь, что место установки проветривается должным образом.

- Компрессор нужно устанавливать так, чтобы он был легкодоступным для эксплуатации и технического обслуживания. Убедитесь, что паспортная табличка устройства легкодоступна.
- Компрессор должен располагаться на плоской и устойчивой поверхности с учетом его массы (см. раздел «Технические характеристики»).
- Перед встраиванием компрессора в оборудование поставщик должен подумать о том, удовлетворяет ли среда - воздух требованиям данного предназначения. С этой целью принимаются во внимание технические данные изделия. Классификацию и оценку соответствия при встраивании должен осуществить производитель - поставщик конечного изделия.
- Применение в иных целях или применение, выходящее за эти рамки, не считается применением по назначению. Производитель не отвечает за ущерб, вытекающий из этого. Риск несет исключительно эксплуатирующее лицо / пользователь.

9. УСТАНОВКА ИЗДЕЛИЯ

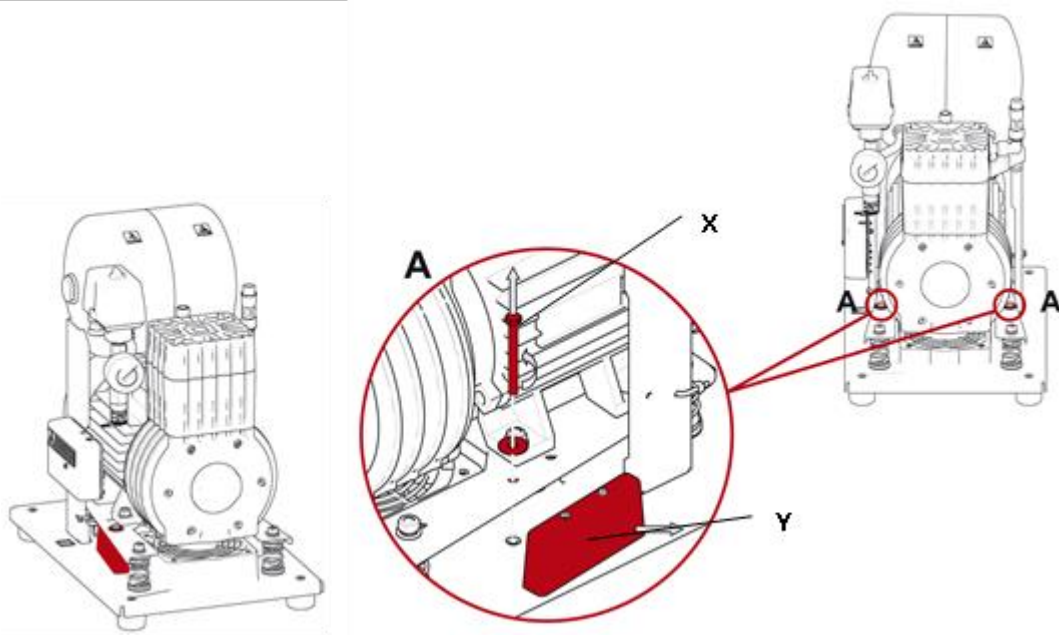
9.1. Перемещение и выгрузка компрессора

Рис. 2: Перемещение компрессора



Stellen Sie vor der Installation sicher, dass der Kompressor frei von Verpackungsmaterial und Stabilisatoren ist, um Schäden am Produkt zu vermeiden.

Рис. 3: Разъединение агрегатов



Компрессор с основанием DK50 B (Рис. 3)

Изделие после распаковки необходимо поставить основанием на пол помещения, снять упаковочные материалы и удалить крепежные детали (X,Y) - деталь А. Выходной напорный шланг, шланг стока и шнур подвода электричества направить в задней части компрессора по направлению от компрессора.

Компрессор в шкафчике DK50 BS (Рис. 3)

Изделие после распаковки необходимо поставить основанием на пол помещения, снять упаковочные материалы и удалить крепежные детали (X,Y) - деталь А. Выходной напорный шланг, шланг стока и шнур подвода электричества направить в задней части компрессора по направлению от компрессора. На компрессор сверху надеть шкаф таким образом, чтобы

передняя панель шкафчика была направлена к передней части компрессора, а содержимое шкафчика бы фиксировало основание по его контуру. Проверить, правильно ли выведены напорный шланг, шланг стока и электрический шнур через заднее отверстие в шкафчике. Шланг стока со сточным клапаном закрепить в держателе задней стены шкафчика.

10. ПНЕВМАТИЧЕСКИЕ СОЕДИНЕНИЯ

10.1. Подключение к выпускному воздуховоду сжатого воздуха

- Подсоедините один конец напорного шланга со скользящим быстросъемным соединителем (1) к выпускному воздуховоду сжатого воздуха (2) компрессора, а другой — к системе подачи сжатого воздуха или непосредственно к целевому устройству (в данном случае — к стоматологическому оборудованию).



Рис. 4: Подключение к выпускному воздуховоду сжатого воздуха

11. ЭЛЕКТРИЧЕСКИЕ СОЕДИНЕНИЯ

- Изделие поставляется в комплекте с заземленной вилкой.
- Розетка должна быть с точки зрения безопасности хорошо доступна, чтобы устройство в случае опасности можно было безопасно отсоединить от сети.
- Соответствующий контур тока должен быть в распределительной сети электроэнергии защищен не более 16 А.



Убедитесь, что полностью соблюдены все местные электротехнические правила и нормы. Напряжение и частота электросети должны соответствовать данным, указанным на этикетке устройства.



Не допускайте контакта электрического кабеля с нагревающимися компонентами компрессора. Опасность поражения электрическим током!



Любой поврежденный электрический шнур или воздушный шланг необходимо немедленно заменить.

11.1. Подключение компрессора, не установленного в шкаф

- Вставьте вилку в розетку номинального напряжения.
- Компрессор готов к эксплуатации.

11.2. Подключение компрессора, установленного в шкаф

- Выведите вилку сетевого шнура через отверстие в задней стенке шкафа.
- Подключите шкаф к компрессору, вставив поставляемый в комплекте шнур питания со штекером в розетку.

- Отключите шкаф от компрессора, открыв защелку и вынув штекер из розетки.

12. ПЕРВЫЙ ПУСК В ЭКСПЛУАТАЦИЮ

- Проверить, были ли устранены все фиксирующие элементы, применяемые во время транспортировки. (Рис. 3)
- Проверить правильное присоединение проводки напорного воздуха. (Рис. 4)
- Проверить правильное присоединение к электросети.
- Компрессор включить на реле давления (2), поворачивая выключатель (3) в положение „I“.



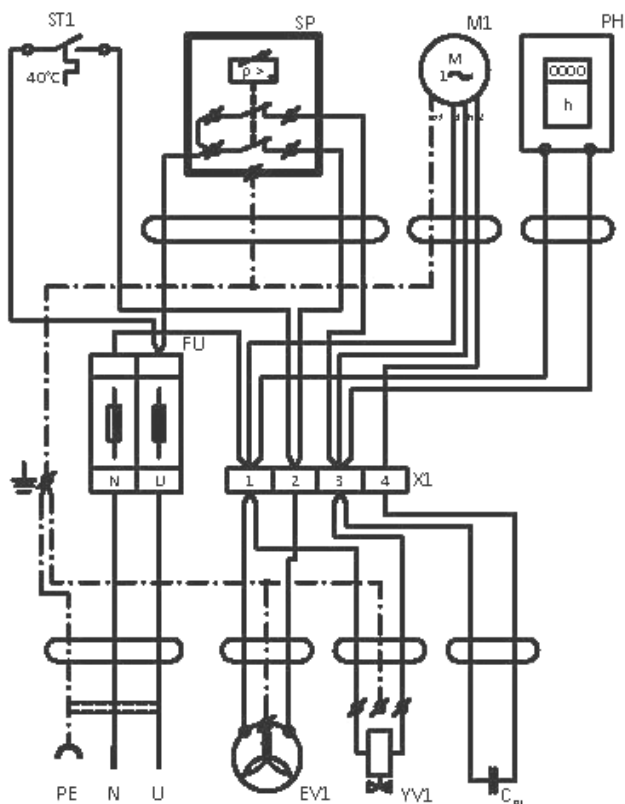
Компрессор не укомплектован запасным источником энергии.

13. ЭЛЕКТРИЧЕСКИЕ СХЕМЫ

DK50 В

1/N/PE 230 В, 50/60 Гц

ЭЛЕКТРИЧЕСКИЙ ОБЪЕКТ 1-й КАТЕГОРИИ



Условные обозначения на электрической схеме

M1	Мотор компрессора	ST	Тепловой включатель
EV1	Вентилятор компрессора	C1	Конденсатор
YV1	Соленоидный клапан компрессора	SP	Выключатель давления
FU	Предохранители	X1	Коробка выводов
		PH	Счетчик времени

ЭКСПЛУАТАЦИЯ

К РАБОТЕ С УСТРОЙСТВОМ ДОПУСКАЕТСЯ ТОЛЬКО ОБУЧЕННЫЙ ПЕРСОНАЛ!



В случае опасности отсоединить компрессор от сети (вытащить сетевой штепсель).



**Агрегат компрессора имеет горячие поверхности.
При прикосновении есть опасность получения ожога.**



Автоматический запуск. Когда давление в напорном резервуаре понизится до давления включения, компрессор автоматически включится. Компрессор автоматически выключится, когда давление в ресивере достигнет значение давления выключения.



Параметры рабочего давления для реле давления, заданные производителем, невозможно изменить. Работа компрессора при рабочем давлении ниже уровня включения свидетельствует о большом потреблении воздуха подключенным устройством (см. раздел Неисправности).



При длительной работе компрессора повысится температура в шкафчике выше 40°C, тогда автоматически включится охлаждающий вентилятор. После понижения температуры в пространстве примерно ниже 32°C вентилятор опять выключится.

14. ВКЛЮЧЕНИЕ КОМПРЕССОРА

Рис. 5: Включение компрессора



Компрессор включить на реле давления (1) поворотом переключателя (2) в положение „I“, компрессор начнет работать и накачивать воздух в ресивер. При потреблении напорного воздуха понизится давление в ресивере до давления включения, приведет в действие компрессор, и ресивер заполнится напорным воздухом. После достижения давления выключения компрессор автоматически выключится. После выпуска – понижения давления в ресивере и достижения давления включения, компрессор снова придет в действие. Проверьте величину включающего и выключающего давления на манометре (3). Значения могут находиться в диапазоне $\pm 10\%$. Давление воздуха в ресивере не должно превысить максимальное допустимое рабочее давление.



Beschädigungsgefahr für Pneumatikteile!

Der Druckschalter (1) wurde durch den Hersteller eingestellt. Eine weitere Einstellung darf nur durch einen qualifizierten Techniker vorgenommen werden, der durch den Hersteller geschult wurde.

15. ВЫКЛЮЧЕНИЕ КОМПРЕССОРА

- Чтобы выключить компрессор для выполнения технического обслуживания или по другой причине, поверните переключатель (2) на реле давления (1) в положение 0 (Рис. 5) и выньте вилку из розетки электросети. В результате компрессор будет отсоединен от источника питания.
- Сравите давление в воздухохранильнике до нулевой отметки, открыв спускной клапан.

ТЕХНИЧЕСКОЕ ОБСЛУЖИВАНИЕ УСТРОЙСТВА

16. ТЕХНИЧЕСКОЕ ОБСЛУЖИВАНИЕ УСТРОЙСТВА



Оператор должен проводить испытание устройства с периодичностью, указанной в действующих местных нормативных актах. Результаты испытаний а также методы исследования должны быть задокументированы в письменном виде.

Устройство спроектировано и изготовлено таким образом, чтобы свести техническое обслуживание к минимуму. Чтобы обеспечить надлежащую и надежную работу компрессора, необходимо выполнить описанные ниже работы.



Опасность несанкционированного вмешательства.

Ремонтные работы, выходящие за рамки стандартного технического обслуживания (см. Раздел Chyba! Nenašiel sa žiaden zdroj odkazov.), должен осуществлять только квалифицированный технический специалист (организация, уполномоченная производителем) или представитель производителя.

Работы по стандартному техническому обслуживанию (см. Раздел Chyba! enašiel sa žiaden zdroj odkazov.) должен осуществлять только обученный персонал оператора.

Используйте только утвержденные производителем запасные части и принадлежности.



Опасность травмирования персонала или повреждения оборудования.

Прежде чем приступать к техническому обслуживанию компрессора:

- проверьте, можно ли отключить компрессор от соответствующего устройства-потребителя, чтобы исключить риск травмирования лиц, использующих это устройство, и избежать материального ущерба;
- выключите компрессор;
- отключите его от электрической сети, вынув вилку из розетки;
- стравите давление из ресивера.



При стравливании давления из линии сжатого воздуха (ресивера) используйте защитные очки.



Во время работы компрессора компоненты агрегата (крышка, цилиндр, напорный шланг и т. д.) сильно нагреваются и остаются горячими некоторое время после его выключения, поэтому не прикасайтесь к ним.

16.1. Периодичность технического обслуживания

Интервал ^{c)}	50 Гц	60 Гц	Раз в день	Раз в неделю	Раз в год	Раз в 2 года	Каждые						Раздел	Комплект запчастей	Исполнитель
							2000 часов	4000 часов	6000 часов	8000 часов	10000 часов	12000 часов			
Эксплуатационные проверки изделия	X												16.2	-	
Слив конденсата из воздухоохладителя (при высокой относительной влажности) ^{b)}	X	X											16.5	-	
Функциональная проверка изделия		X											7	--	
Проверка соединений на утечки и осмотр устройства			X										16.3	-	
Проверка электрических соединений				X									16.4	-	
Проверка охладителя и вентилятора				X									16.8	-	
Проверка предохранительного клапана				X									16.6	-	
Замена входного фильтра на агрегате ^{a)}						X		X					16.7	025200126-000	

a) Данные указываются в часах. В противном случае — в годах

b) Только для компрессоров без осушителей

c) Для моделей компрессоров с частотой 60 Гц: уменьшите на 20 % временной интервал в часах (2000h./1600h., 4000h./3200h., 6000h./4800h., 8000h./6400h., 10000h./8000h., 12000h./9600h.)

Для выяснения правильной работы компрессора, необходимо периодически (гл. 13) осуществлять следующие работы:

16.2. Эксплуатационные проверки

- Проверьте состояние агрегата — он должен нормально функционировать без излишних вибрации и шума. В случае выявления проблемы устраните ее или обратитесь к обслуживающему персоналу.
- Визуально осмотрите вентиляторы — они должны работать вместе с агрегатами. В случае выявления проблемы устраните ее или обратитесь к обслуживающему персоналу.
- Проверьте силовой кабель и пневматические шланги на предмет повреждений. Замените поврежденные компоненты или обратитесь к обслуживающему персоналу.
- Проверьте температуру окружающей среды — она должна быть ниже предельного значения (40 °C). В противном случае охладите помещение.
- Для компрессора с осушителем: открутите крышку на резервуаре для сбора конденсата и слейте конденсат.

16.3. Проверка пневматического соединения на утечки и осмотр устройства

Проверка на утечки

- Выполните проверку пневматических соединений на утечки при работе компрессора (нагнетании воздуха).
- Чтобы проверить все соединения на утечки, воспользуйтесь анализатором утечек или мыльной водой. В случае выявления утечки затяните соответствующие соединения или поменяйте в них уплотнение.

Осмотр устройства

- Проверьте агрегат компрессора на предмет нормальной работы и уровня шума.
- Проверьте работу вентиляторов: вентиляторы должны работать в течение определенных рабочих циклов компрессора.
- Проверьте работу температурного переключателя (B2): разогрейте температурный переключатель до уровня выше 40 °C (например, с помощью теплового фена), стараясь не расплавить пластиковые элементы вокруг него. Если компрессор подсоединен к источнику питания, вентилятор EV1 (или EV2, если это компрессор с осушителем) запустится, как только температура достигнет отметки в 40 °C.
- Проверьте состояние фильтра: фильтры должны быть целыми и достаточно чистыми.
- Проверьте состояние самого агрегата и убедитесь, что картер не загрязнен изнутри, а коленчатый вал не люфтит.

16.4. Проверка электрических соединений



Проверку электрических соединений необходимо выполнять при отключенном питании.

- Проверьте механическую работу основного переключателя.
- Убедитесь, что силовой кабель и подсоединенная проводка не повреждены.
- Визуально осмотрите соединение отдельных кабелей с клеммной колодкой.
- Осмотрите все винтовые зажимы на проводнике общего заземления желто-зеленого цвета.

16.5. Слив конденсата



Медленно и аккуратно откройте сливной клапан. Быстрое открытие сопровождается громким звуком и неконтролируемым выбросом скопившегося конденсата.



При переполнении резервуара возникает опасность поскользнуться на мокром полу.

При регулярной эксплуатации рекомендуется слить конденсат из напорного резервуара.

- Компрессор отсоединить от сети и давление воздуха в оборудовании понизить до величины не более 1 бар, например, выпуская воздух через присоединенное оборудование.
- Шланг с клапаном слива шлаков направить в заранее подготовленную емкость и, открывая выпускной клапан (1), слить конденсат из резервуара.

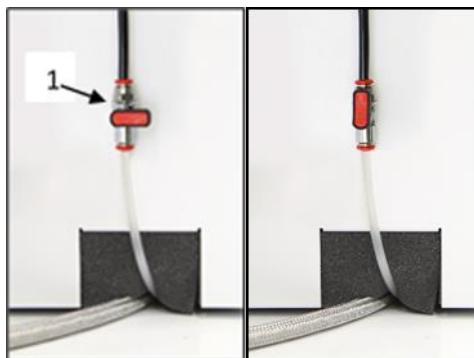


Рис. 6: Слив конденсата



В случае модификаций компрессора со шкафчиком DK50 BS необходимо снять шкафчик. Поднять шкафчик по направлению вверх перед проведением следующих проверок.

16.6. Sicherheitsventil überprüfen

- При первом запуске компрессора проверьте правильность работы предохранительного клапана.
- Поверните винт (2) предохранительного клапана (1) на несколько оборотов влево, пока воздух не начнет выходить через клапан.
- Стравливайте воздух через предохранительный клапан всего лишь несколько секунд. Закройте клапан, повернув винт (2) вправо до упора.



Рис. 7: Проверка предохранительного клапана



Никогда не используйте предохранительный клапан для сброса давления в ресивере. Это может повредить предохранительный клапан. Максимально допустимое давление для клапана настроено производителем. Регулировка запрещена!



Внимание! Сжатый воздух опасен, так как существует риск повреждения глаз! Риск повреждения глаз

16.7. Замена входного фильтра

- Вручную удалите резиновую заглушку (2).
- Выньте бывший в употреблении, загрязненный фильтр.
- Установите новый фильтр и закройте резиновой заглушкой.

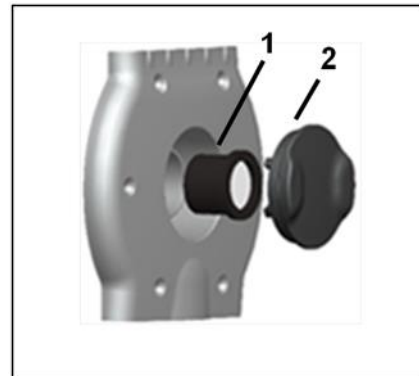


Рис. 8: Замена входного фильтра

16.8. Проверка охладителя и вентилятора

Комплект оборудования, а особенно вентилятор компрессора, вентилятор охладителя и охладитель должны содержаться в чистоте для надлежащего осушения. Пропылесосьте или продуйте ребра охладителя и вентиляторы сжатым воздухом, чтобы очистить их поверхность от пыли.

16.9. Процедура подключения компрессора, отсоединенного от шкафа



Перед любым техническим обслуживанием или ремонтом компрессор необходимо выключить и отсоединить от сети (вытащить сетевой штепсель из розетки).

Для правильной работы компрессора (без шкафа) в клеммной колодке обязательно должна быть установлена перемычка (Рис. 9, поз. В). Она заменяет переключатель на шкафу.



Если в клеммной колодке компрессора (отсоединенного от шкафа) нет перемычки, компрессор работать не будет!

Если отсоединить шнур, соединяющий компрессор и шкаф (вынуть вилку из розетки), и извлечь компрессор из шкафа, он не будет работать. По этой причине необходимо сначала создать соединение в клеммной колодке при помощи перемычки (заменив им функцию автоматического выключателя) (Рис. 9).

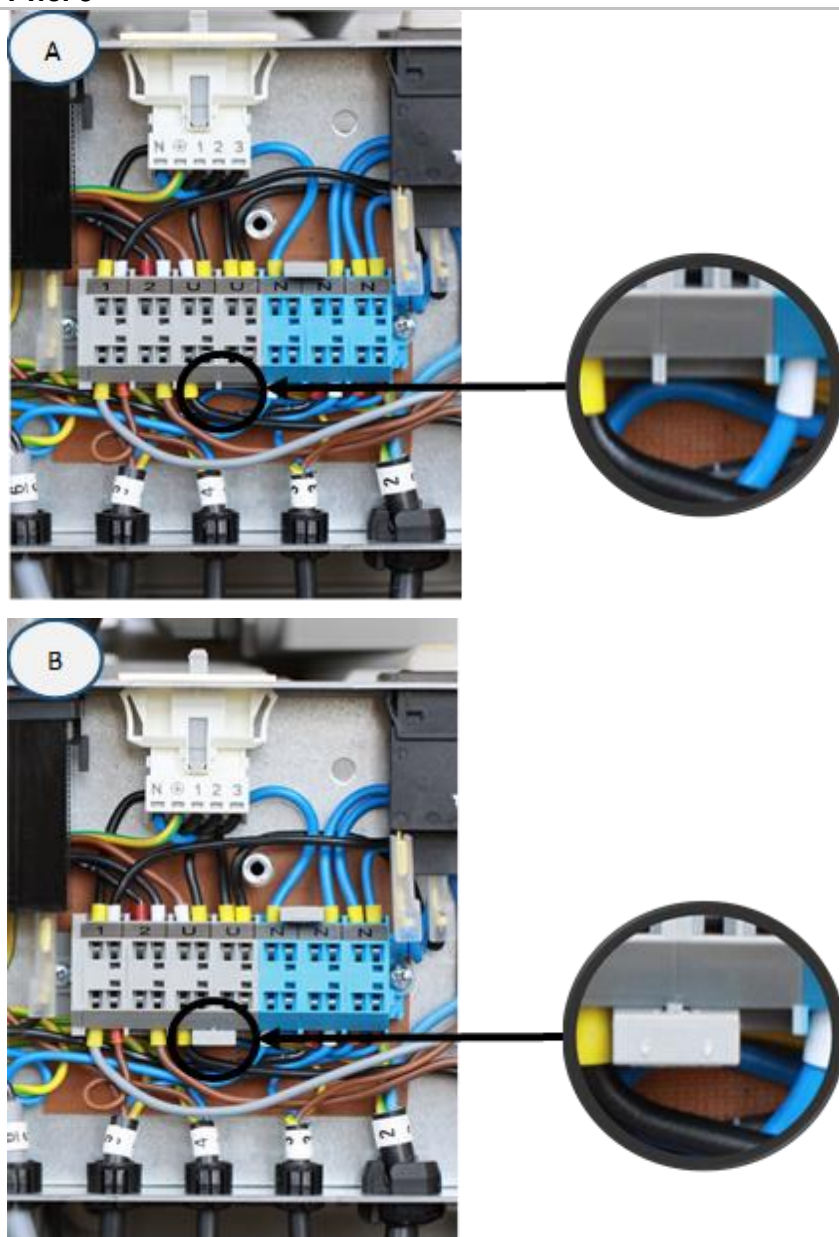
PROZESS:

Jumper-Installation (A-B-C-D-Prozess)

- Trennen Sie das Gerät vom Stromnetz, indem Sie den Stecker aus der Steckdose ziehen.
- Entfernen Sie die Abdeckung von der Schalttafel (des Kompressors).
- Der Jumper befindet sich nicht auf der Klemmleiste – A
- Heben Sie die Sicherungsabdeckung an – B
- Setzen Sie den Jumper in die Klemmleiste ein – C
- Schließen Sie die Sicherungsabdeckung – D
- Bringen Sie die Abdeckung der Schalttafel wieder an.
- Schließen Sie das Gerät an das Stromnetz an.
- Aktivieren Sie den Kompressor, indem Sie den Schalter auf dem Druckschalter einschalten.

При эксплуатации компрессора вне шкафа **обязательно** установите подключение к электросети с помощью перемычки (Рис. 9, поз. В).

Рис. 9



230 V

16.10. Процедура подключения компрессора к новому шкафу



Перед любым техническим обслуживанием или ремонтом компрессор необходимо выключить и отсоединить от сети (вытащить сетевой штепсель из розетки).

Для правильной работы компрессора, установленного в шкафу, требуется, чтобы в клеммную колодку не была вставлена перемычка (Рис. 9, поз. А). Переключатель на шкафу включает и выключает все изделие, в том числе компрессор.



Если в клеммной колодке компрессора, подключенного к шкафу, установлена перемычка, выключатель в шкафу компрессора работать не будет!

Если нужно подключить новый шкаф к компрессору, который до этого работал самостоятельно (без шкафа), необходимо отключить соединение в клеммной колодке компрессора с помощью описанных ниже действий (Рис. 9). (См. также главу 11.1 и 11.2)

ПРОЦЕСС:

Удаление перемычки (процесс В-А)

- Отключите изделие от электрической сети, вынув вилку из розетки.
- Снимите крышку электрической панели (на компрессоре).
- Перемычка установлена в клеммную колодку – В
- Удалите перемычку из клеммной колодки – А
- Установите на место крышку электрической панели.
- Вставьте компрессор в шкаф.
- Подключите шкаф к компрессору, вставив шнур питания со штекером в розетку.
- Подключите устройство к электросети.
- Запустите компрессор с помощью выключателя на реле давления и выключателя (4) на шкафу (Рис. 5)

При эксплуатации компрессора, работающего в шкафу, **не должно быть** подключения к электросети (Рис. 9, поз. А).

Примечание. **Сохраните неиспользуемую перемычку на случай эксплуатации компрессора без шкафа или для технического обслуживания** (например, храните ее в оболочке в электрической панели).

16.11. Очистка и дезинфекция наружных поверхностей изделия

Для очистки и дезинфекции наружных поверхностей изделия используются нейтральные средства.



Применение агрессивных моющих и дезинфицирующих средств, содержащих раствор спирта и хлориды, может привести к повреждению поверхности и изменению цвета изделия.

17. ПРИОСТАНОВЛЕНИЕ ЭКСПЛУАТАЦИИ

В том случае, если компрессор не будет применяться длительное время, рекомендуется слить конденсат из напорного резервуара и компрессор потом запустить в эксплуатацию примерно на 10 минут с открытым клапаном для слива конденсата (1) (Рис. 6). Потом выключить компрессор выключателем (2) на реле давления (1) Рис.5, закрыть клапан для слива конденсата и отсоединить оборудование от электросети.

18. УТИЛИЗАЦИЯ ОБОРУДОВАНИЯ

- Отключите оборудование от электросети.
- Сбросьте давление воздуха в напорном резервуаре, открыв клапан слива (Рис. 6).
- Утилизируйте оборудование согласно принятым природоохранным нормам.

- Для этого обратитесь в специализированную компанию, занимающуюся сортировкой и утилизацией отходов.
- Отработанные компоненты не должны оказывать отрицательного влияния на окружающую среду.

ПОИСК НЕИСПРАВНОСТЕЙ И ИХ УСТРАНЕНИЕ



При возникновении экстренной ситуации отключите компрессор от электросети (вытащите сетевую вилку).



Внимание! Прежде чем выполнять дальнейшие действия, стравите воздух из ресивера до нулевого давления и отсоедините устройство от электросети.



К работам по устранению неисправностей следует допускать только квалифицированных специалистов.

Неполадки	Возможная причина	Способ устранения
Компрессор не запускается	В реле давления нет напряжения	Контроль напряжения в розетке Контроль предохранителя – неисправный заменить Ослаблена клемма - подтянуть Контроль эл. шнура – неисправный заменить
	Повреждена обмотка двигателя, повреждена тепловая защита Бракованный конденсатор Заедание поршня или иной ротационной части Не включает реле давления	Двигатель заменить или перемотать обмотку Заменить конденсатор Поврежденные части заменить Проверить работу реле давления
Переключатель шкафа не выключает компрессор	Компрессор в шкафу, ранее работавший отдельно (в клеммной колодке компрессора установлена перемычка)	Извлеките перемычку из клеммной колодки, см. главу 17.10
Компрессор включается часто	Утечка воздуха из пневматической распределительной сети Изношенные поршневый кольцо Загрязненный входной фильтр Неправильная функция соленоидного клапана	Контроль пневм. распредел. сети – ослабленное соединение уплотнить Обратный клапан вычистить или заменить уплотнения, заменить обратный клапан Выпустить сконденсированную жидкость

Понижьте давление в ресивере (в процессе непрерывной работы компрессора)	Высокий уровень потребления воздуха устройством	Снизьте потребление воздуха Воспользуйтесь компрессором с большей производительностью
	утечка в системе распределения сжатого воздуха	Проверьте пневматическую систему — уплотните негерметичные соединения
	низкая выходная мощность агрегата компрессора	Почистите или замените насос
	Неполадка в агрегате	Почистите или замените насос
Длительная работа компрессора	Утечка в системе распределения сжатого воздуха	Проверьте систему распределения сжатого воздуха — уплотните негерметичное соединение
	Изношено поршневое кольцо	Замените изношенное поршневое кольцо
	Засорился входной фильтр	Замените старый фильтр новым
	Неисправен электромагнитный клапан	Отремонтируйте или замените клапан либо обмотку
Компрессор шумит (стучит, издает металлические звуки)	Поврежден поршневой подшипник, шатун или подшипник двигателя	Замените поврежденный подшипник
	Ослабленная или лопнувшая пружина	

19. СВЕДЕНИЯ ОБ УСЛУГАХ ПО РЕМОНТУ

Гарантийный и послегарантийный ремонт обеспечивает производитель или организации, или сервисные техники, о которых информирует поставщик.

Предупреждение!

Производитель оставляет за собой право осуществлять на устройстве изменения, которые, однако, не повлияют на существенные свойства устройства.

SPIS TREŚĆ

WAŻNE INFORMACJE.....	52
1. ZGODNOŚĆ Z WYMOGAMI UNII EUROPEJSKIEJ	52
2. SYMBOLE.....	52
3. EKSPLOATACJA URZĄDZENIA.....	53
4. OGÓLNE INSTRUKCJE BEZPIECZEŃSTWA	53
5. WARUNKI PRZECHOWYWANIA I TRANSPORTU	55
OPIS PRODUKTU	56
6. WARIANTY	56
7. FUNKCJA PRODUKTU.....	56
DANE TECHNICZNE	58
INSTALACJA	59
8. WARUNKI INSTALACJI	59
9. INSTALACJA WYROBU	60
10. POŁĄCZENIA PNEUMATYCZNE	61
11. PRZYŁĄCZA ELEKTRYCZNE	61
12. URUCHOMIENIE	62
13. SCHEMATY PODŁĄCZENIA	62
EKSPLOATACJA	63
14. WŁĄCZENIE SPREŻARKI	64
15. WYŁĄCZENIE SPREŻARKI.....	64
KONSERWACJA PRODUKTU.....	65
16. KONSERWACJA PRODUKTU.....	65
17. WYŁĄCZENIE NA DŁUGI CZAS.....	71
18. UTYLIZACJA URZĄDZENIA.....	71
ROZWIĄZYWANIE PROBLEMÓW.....	72
19. USŁUGA NAPRAWY	73
ZAŁĄCZNIK.....	97
20. DOKUMENTACJA INSTALACJI.....	99

WAŻNE INFORMACJE

Przed użyciem produktu należy uważnie zapoznać się z tą instrukcją obsługi i zachować ją do wglądu w przyszłości. Znajdują się w niej informacje na temat prawidłowego posługiwania się urządzeniem, w tym instalacji, obsługi i konserwacji.

Zawarte w niej informacje odnoszą się do konfiguracji produktu oraz zgodności z przepisami i normami technicznymi obowiązującymi w czasie, gdy była drukowana. Producent zastrzega sobie wszystkie prawa do ochrony swoich konfiguracji, procesów i nazw.

Oryginalna wersja niniejszej instrukcji obsługi jest w języku słowackim. Jej tłumaczenie zostało wykonane zgodnie z najlepszą dostępną wiedzą. W przypadku wątpliwości rozstrzygające znaczenie ma wersja słowacka.

Instrukcja obsługi jest oryginalna, a tłumaczenie zostało wykonane zgodnie z najlepszą dostępną wiedzą.

1. ZGODNOŚĆ Z WYMOGAMI UNII EUROPEJSKIEJ

Niniejszy produkt spełnia wymogi norm Unii Europejskiej 2006/42/WE, 2014/29/UE, 2014/35/UE, 2014/30/UE, 2011/65/UE i jest bezpieczny, jeśli jest używany zgodnie z przeznaczeniem i przy zachowaniu wszystkich zasad bezpieczeństwa.

Instrukcja obsługi spełnia wymogi dyrektywy 2006/42/WE.

2. SYMBOLE

W instrukcji obsługi oraz na urządzeniu i opakowaniu znajdują się następujące symbole:



Ogólne ostrzeżenie



Ostrzeżenie — ryzyko porażenia prądem elektrycznym



Ostrzeżenie — sprężarka sterowana automatycznie



Ostrzeżenie — gorąca powierzchnia



Ogólna przestroga



Przeczytaj instrukcję obsługi



Odnieś się do instrukcji obsługi



Oznaczenie CE



Uziemienie ochronne



Zacisk do podłączenia uziemienia



Etykieta na opakowaniu z informacją o sposobie transportu — delikatne



Etykieta na opakowaniu z informacją o sposobie transportu — tą stroną do góry



Etykieta na opakowaniu z informacją o sposobie transportu — nie moczyć



Etykieta na opakowaniu z informacją o sposobie transportu — przedział temperatur



Etykieta na opakowaniu z informacją o sposobie transportu — ograniczenie składowania w stosie



Etykieta na opakowaniu — materiał nadający się do recyklingu



Producent

3. EKSPLOATACJA URZĄDZENIA

3.1. Przeznaczenie

Sprężarka stanowi źródło czystego i pozbawionego oleju sprężonego powietrza na potrzeby przemysłu i laboratoriów, gdzie spełnia wymogi w zakresie wymaganych parametrów i właściwości.

Sprężarka służy wyłącznie do sprężania powietrza niezawierającego wybuchowych ani chemicznie niestabilnych substancji.

Sprężarka jest przeznaczona do używania w czystych i suchych pomieszczeniach.

3.2. Nieprawidłowe użytkowanie



Ryzyko zanieczyszczenia.

Powietrze ze sprężarki bez dodatkowego oczyszczenia nie nadaje się do oddychania ani bezpośredniego kontaktu z żywnością.



Ryzyko wybuchu.

Ten produkt nie jest przeznaczony do użytkowania w pomieszczeniach zagrożonych wybuchem.

Sprężarki nie wolno używać do sprężania agresywnych gazów.

Sprężarki nie wolno używać w obiektach, w których występują łatwopalne opary.

Sprężarki nie wolno używać w innych warunkach niż określone w dokumentacji technicznej.

Użycie produktu w jakikolwiek sposób niezgodny z przeznaczeniem jest użyciem nieprawidłowym. Producent nie ponosi odpowiedzialności za żadne szkody ani zranienia powstałe w wyniku nieprawidłowego użytkowania lub nieprzestrzegania niniejszej Instrukcji obsługi. Całe ryzyko bierze na siebie użytkownik/operator.

4. OGÓLNE INSTRUKCJE BEZPIECZEŃSTWA

Produkt zaprojektowano i wyprodukowano w taki sposób, aby zminimalizować wszelkie ryzyko związane z jego użytkowaniem oraz aby był bezpieczny dla otoczenia w trakcie używania zgodnie

z przeznaczeniem i poniższymi instrukcjami.

4.1. Wymagane kwalifikacje personelu

- Każdy użytkownik powinien zostać przeszkolony przez producenta lub organizację autoryzowaną przez producenta albo poinstruowany przez innego wyszkolonego użytkownika.
- Instalacja, nowe ustawienia, zmiany, ulepszenia i naprawy leżą w zakresie uprawnień producenta lub organizacji autoryzowanej przez producenta (dalej wykwalifikowany technik).
 - W przeciwnym razie producent nie ponosi odpowiedzialności za bezpieczeństwo, niezawodność ani prawidłowe funkcjonowanie produktu.

4.2. Ogólne instrukcje

- W trakcie używania sprężarki należy przestrzegać wszystkich przepisów i regulacji obowiązujących w danym miejscu. Za przestrzeganie przepisów odpowiadają operator i użytkownik.
- Przed każdym użyciem należy sprawdzić, czy urządzenie działa prawidłowo i bezpiecznie. Przed wbudowaniem sprężarki do innego urządzenia należy ocenić, czy jej konstrukcja i parametry dostarczanego powietrza spełniają wszystkie wymogi. Uwzględniając te kwestie, należy przestrzegać zaleceń w dokumentacji produktu. Oceny zgodności dokonuje producent — dostawca finalnego produktu.

4.3. Ochrona przed niebezpiecznym napięciem prądu elektrycznego i ciśnieniem

- Urządzenie należy podłączyć do prawidłowo zainstalowanego gniazda z uziemieniem.
- Przed podłączeniem produktu do gniazda należy sprawdzić, czy napięcie i częstotliwość prądu w gnieździe odpowiadają parametrom wskazanym na produkcie.
- Przed użyciem należy sprawdzić, czy połączony system wysokociśnieniowy i obwody elektryczne nie mają żadnych uszkodzeń. Uszkodzone przewody pneumatyczne i elektryczne należy niezwłocznie wymienić.
- W sytuacji zagrożenia lub wystąpienia usterki technicznej urządzenie należy natychmiast odłączyć od zasilania (wyjąć wtyczkę przewodu zasilającego z gniazda).
- Nigdy nie należy regulować ani używać zaworu bezpieczeństwa, aby obniżyć ciśnienie w zbiorniku powietrza.
- Nigdy nie należy regulować ani używać zaworu nadmiarowego, aby obniżyć ciśnienie w zbiorniku powietrza.

4.4. Oryginalne części zamienne i akcesoria

- Tylko oryginalne części gwarantują bezpieczeństwo obsługi i bezbłędne działanie produktu. Należy używać wyłącznie akcesoriów i części zamiennych określonych w dokumentacji technicznej lub zatwierdzonych przez producenta.
- Gwarancja nie obejmuje uszkodzeń wynikłych z użycia akcesoriów i części zamiennych innych niż wskazane lub zalecane przez producenta i producent nie ponosi w związku z tym żadnej odpowiedzialności.

5. WARUNKI PRZECHOWYWANIA I TRANSPORTU

Sprężarka jest przewożona od producenta w opakowaniu transportowym. Chroni ono urządzenie przed uszkodzeniem w trakcie transportu.



Możliwość uszkodzenia części pneumatycznych.

W trakcie transportu w żadnych elementach sprężarki nie może być powietrza. Przed przeniesieniem lub transportem sprężarki należy spuścić powietrze ze zbiornika, wszystkich węży ciśnieniowych i komór osuszacza oraz należy opróżnić zbiornik kondensatu i separator kondensatu w osuszaczu.



Należy zachować oryginalne opakowanie fabryczne na wypadek, gdyby zaszła konieczność zwrotu urządzenia. Sprężarkę należy transportować w oryginalnym opakowaniu, które zapewnia optymalne warunki ochrony. . Jeśli zajdzie konieczność zwrotu urządzenia w czasie obowiązywania gwarancji, producent nie odpowiada za uszkodzenia spowodowane nieprawidłowym opakowaniem.



Sprężarkę należy transportować w pozycji pionowej i zabezpieczyć pasami.



Podczas transportu i przechowywania chronić sprężarkę przed wilgocią i brudem oraz ekstremalnymi temperaturami. Nie przechowywać w pobliżu lotnych substancji chemicznych.



Jeśli opakowanie będzie niepotrzebne, należy je zutylizować w przyjazny dla środowiska sposób. Karton z opakowania można poddać recyklingowi ze starym papierem.



Przechowywanie lub transport urządzenia w jakichkolwiek innych warunkach niż opisane poniżej jest zabroniony.

5.1. Warunki otoczenia

Produkt można przechowywać i transportować wyłącznie w pojazdach pozbawionych jakichkolwiek śladów lotnych substancji chemicznych w następujących warunkach:

Temperatura	Od -25°C do $+55^{\circ}\text{C}$, 24 h w temperaturze do $+70^{\circ}\text{C}$
Wilgotność względna	Maks. 90% (bez kondensacji)

OPIS PRODUKTU

6. WARIANTY

Modele sprężarek występują w następujących wariantach:

DK50 B z podstawą, umożliwiającą samodzielne ustawienie sprężarki.

DK50 BS z podstawą w spoistych skrzynkach z efektywnym tłumieniem hałasu; nadaje się do umieszczenia w gabinecie stomatologicznym



DK50 B



DK50 BS

7. FUNKCJA PRODUKTU

7.1. Sprężarka

Agregat sprężarki tłokowej (1) zasysa powietrze atmosferyczne przez filtr wejściowy (8) i spręża go przez zawór zwrotny (3) do zbiornika (2). Aparat odbiera sprężone powietrze ze zbiornika, w wyniku czego ciśnienie zostanie obniżone do dolnego ciśnienia granicznego nastawionego na włączniku ciśnieniowym (4), kiedy sprężarka jest włączona. Sprężarka spręża powietrze do zbiornika powietrza aż do wartości ciśnienia wyłączającego, kiedy sprężarka wyłączy się. Po wyłączeniu agregatu sprężarki wąż ciśnieniowy zostanie odpowietrzony przez przelewowy zawór solenoidowy (13). Zawór bezpieczeństwa (5) zapobiega przekroczeniu ciśnienia w zbiorniku powietrza powyżej maksymalnej wartości zezwolonej. Czas czynności sprężarki rejestruje zegar eksploatacyjny. Przez zawór wylotowy (7) jest spuszczaany kondensat ze zbiornika. Sprężone i czyste powietrze bez śladów oleju jest gotowe do użycia.

7.2. Skrzynka sprężarki

Skrzynka zapewnia całkowite osłonięcie sprężarki, przy skutecznym tłumieniu hałasu i równocześnie zabezpiecza dostateczną wymianę powietrza chłodzącego. Ze względu na design nadaje się do umieszczenia w gabinecie jako część meblowania. Wentylator pod agregatem sprężarki zabezpiecza chłodzenie sprężarki i działa razem z silnikiem sprężarki. Po dłuższej pracy sprężarki temperatura w skrzynce może osiągnąć ponad 40 ° C. Wówczas automatycznie zostanie włączony wentylator chłodzenia. Po wychłodzeniu przestrzeni skrzynki poniżej około 32 ° C, wentylator zostanie automatycznie wyłączony.



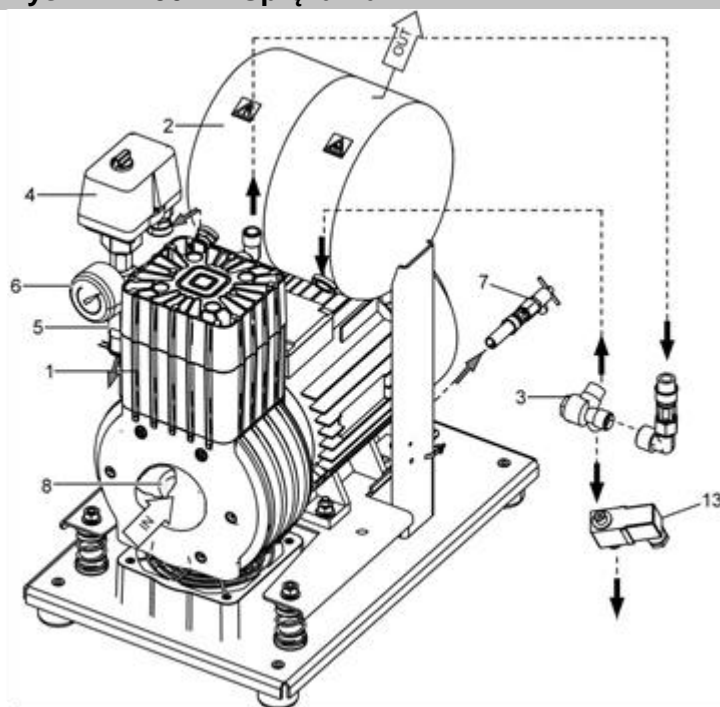
Ryzyko przegrzania sprężarki.

Upewnij się, że nic nie zasłania wlotu powietrza chłodzącego do obudowy (znajdującego się w jej dolnej części) ani wylotu ciepłego powietrza z tyłu u góry.

Jeśli sprężarka zostanie ustawiona na miękkiej podłodze, np. dywanie, należy zapewnić przestrzeń między podstawą i podłogą lub obudową i podłogą, aby umożliwić efektywne chłodzenie. W tym celu można na przykład podłożyć twarde podkładki pod nóżki sprężarki.

Rys. 1: DK50 B - Sprężarka

Opis rysunków:



- 1 Agregat sprężarki
- 2 Zbiornik
- 3 Zawór zwrotny
- 4 Łącznik ciśnieniowy
- 5 Zawór bezpieczeństwa
- 6 Ciśnieniomierz
- 7 Zawór wylotowy
- 8 Filtr wlotowy
- 9 Zawór Solenoidowy

DANE TECHNICZNE

Sprężarki są przeznaczone do użytku w suchych, wentylowanych i wolnych od kurzu pomieszczeniach w następujących warunkach:

Temperatura Od +5°C do +40°C

Wilgotność względna maks. 70%

Ciśnienie robocze 9,5 – 11,5 barów		DK50 B	DK50 BS
Napięcie nominalne	V, Hz	230, 50	230, 50
Częstotliwość		230, 60 ^{a)}	230, 60 ^{a)}
Wydajność przy ciśnieniu 10 barów	l/min	50	50
Ciśnienie robocze	bary	9,5 – 11,5	9,5 – 11,5
Maks. prąd	A	3,5	3,5
Moc silnika	kW	0,55	0,55
Pojemność zbiornika powietrza	l	4	4
Maksymalne ciśnienie robocze zaworu bezpieczeństwa	bary	12	12
Poziom hałasu przy 5 barach (L _{pA})	dB	≤ 65	≤ 45
Tryb pracy	%	Przerywany S 3-50	Przerywany S 3-50
Wymiary (netto) sz x g x w	mm	290x430x490	380x525x575
Masa netto ^{c)}	kg	35	47
Masa sprężarki w kartonie opakunkowym	kg	37	49

^{a)} W trakcie składania zamówienia należy określić wersję sprężarki

Korekta skuteczności FAD dla różnic wysokości

Wydajność określana jako swobodny wydatek powietrza (Free Air Delivery — FAD) dotyczy następujących warunków:

Wysokość	0 n.p.m.	Temperatura	20°C
Ciśnienie atmosferyczne	101325 Pa	Wilgotność względna	0%

Aby obliczyć wydajność FAD sprężarki zależnie od wysokości, należy uwzględnić współczynnik korekty zgodnie z poniższą tabelą:

Wysokość [n.p.m.]	0 – 1500	1501 – 2500	2501 – 3500	3501 – 4500
Współczynnik korekty FAD	1	0.80	0.71	0.60

INSTALACJA

Ryzyko nieprawidłowej instalacji.

Instalację i uruchomienie sprężarki może przeprowadzić wyłącznie wykwalifikowany specjalista. Jego obowiązkiem jest przeszkolenie operatorów w zakresie obsługi i konserwacji sprzętu. W dokumentacji instalacyjnej sprzętu powinien znaleźć się zapis poświadczający odbycie szkolenia operatorów.

8. WARUNKI INSTALACJI

- Sprężarkę należy zainstalować i wykorzystywać tylko w suchych, dobrze wentylowanych i czystych pomieszczeniach, w których panują warunki opisane w rozdziale Dane techniczne.



Ryzyko uszkodzenia urządzenia.

Urządzenia nie można użytkować na zewnątrz ani w wilgotnym środowisku.



Ryzyko eksplozji.

Nie należy używać urządzenia w obecności wybuchowych gazów, kurzu lub łatwopalnych płynów.



Ryzyko poparzenia lub pożaru! Uwaga! Gorąca powierzchnia!

W trakcie działania sprężarki części urządzenia, osuszacza i przewody połączeniowe między osuszaczem i sprężarką mogą być nagrzane i niebezpieczne dla ludzi i rzeczy.



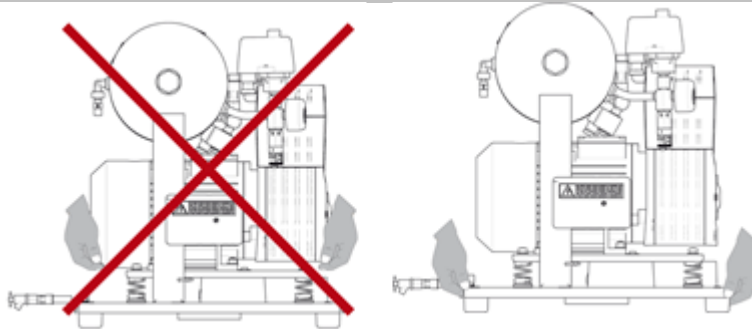
Na początku eksploatacji produktu może być wyczuwalny zapach „nowego urządzenia” (przez krótki czas). Jest to zjawisko przejściowe, które nie ma wpływu na działanie sprzętu. Po instalacji należy zapewnić właściwą wentylację.

- Sprężarkę należy tak zainstalować, aby zawsze była dostępna do pracy i konserwacji. Tabliczka znamionowa powinna znajdować się w dostępnym miejscu.
- Sprężarka powinna stać na płaskiej i stabilnej powierzchni (należy wziąć pod uwagę ciężar sprężarki, patrz rozdział Dane techniczne).
- Przed wbudowaniem sprężarki do urządzeń dostawca powinien zaopiniować, czy medium – powietrze będące w dyspozycji – odpowiadałoby wymogom danego celu zastosowania. W tym celu należy przestrzegać warunków technicznych wyrobu. Klasyfikację oraz ocenę zgody wbudowania powinien wykonać w imieniu producenta – dostawca wyrobu końcowego.
- Inne zastosowanie lub zastosowanie poza wskazanym zakresem użytkowania nie jest uważane za użytkowanie zgodne z przeznaczeniem przyrządu. Producent nie odpowiada za szkody, które mogą z tego wynikać. Ryzyko ponosi wyłącznie obsługujący / użytkownik.

9. INSTALACJA WYROBU

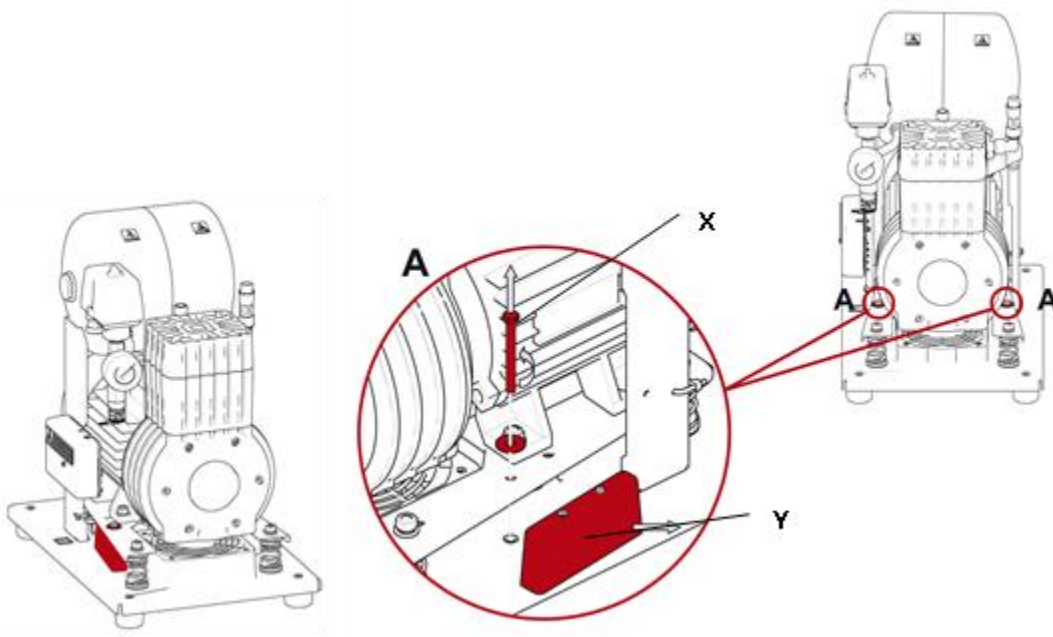
9.1. Przenoszenie i rozpakowywanie sprężarki

Rys. 2: Manipulacja



Przed pierwszym uruchomieniem należy usunąć wszystkie zabezpieczenia służące do unieruchomienia urządzenia podczas transportu — ich pozostawienie grozi uszkodzeniem produktu.

Rys. 3: Usunąć elementy zabezpieczające



Sprężarka z podstawą DK50 B (Rys. 3)

Produkt po wypakowaniu z opakowania należy postawić podstawą na podłodze pomieszczenia, uwolnić od materiałów pakujących oraz usunąć elementy mocujące (X, Y) - detal A. Wąż ciśnieniowy wyjścia, wąż odwadniania i przewód elektryczny w tylnej części sprężarki należy skierować na zewnątrz sprężarki.

Sprężarka w skrzynce DK50 BS (Rys. 3)

Produkt po wypakowaniu z opakowania należy postawić podstawą na podłodze pomieszczenia, uwolnić od materiałów pakujących oraz usunąć elementy mocujące (X, Y) - detal A. Wąż ciśnieniowy wyjścia, wąż odwadniania i przewód elektryczny w tylnej części sprężarki należy skierować na zewnątrz sprężarki. Na sprężarkę z góry należy nasunąć skrzynkę w taki sposób, aby czoło skrzynki

odpowiadało przedniej części sprężarki i aby wypełnienie skrzynki unieruchomiło podstawę po jej obwodzie. Należy skontrolować, czy wąż ciśnieniowy, wąż odwadniający i przewód elektryczny są prawidłowo wyprowadzone przez tylny otwór skrzynki. Wąż odwadniania wraz z zaworem należy przymocować do uchwyty w tylnej ścianie skrzynki.

10. POŁĄCZENIA PNEUMATYCZNE

10.1. Podłączanie do wylotu sprężonego powietrza

- Przewód ciśnieniowy (1) należy podłączyć do wylotu sprężonego powietrza (2) sprężarki. Poprowadzić przewód do kolektora sprężonego powietrza lub bezpośrednio do modułu stomatologicznego.



Rys. 4: Podłączanie do wylotu sprężonego powietrza

11. PRZYŁĄCZA ELEKTRYCZNE

- Produkt jest dostarczany z wtyczką z bolcem ochronnym.
- Ze względu na bezpieczeństwo gniazdko powinno być łatwo dostępne, aby w przypadku awarii przyrządu szybko odłączyć go od sieci.
- Dany obwód prądu elektrycznego powinien być zabezpieczony maksymalnie przez 16 A.



Zapewnić pełną zgodność z lokalnymi przepisami elektrycznymi. Napięcie sieci oraz częstotliwość powinny odpowiadać danym na etykiecie urządzenia.



Upewnić się, że przewód elektryczny nie dotyka gorących elementów sprężarki. Niebezpieczeństwo porażenia prądem elektrycznym!



Jeżeli którykolwiek przewód elektryczny lub powietrzny uległ uszkodzeniu, musi zostać natychmiast wymieniony.

11.1. Podłączanie sprężarki niezamontowanej w obudowie

- Włóż wtyczkę przewodu zasilającego do gniazda sieciowego.
- Sprężarka jest gotowa do działania.

11.2. Podłączanie sprężarki zamontowanej w obudowie

- Przełóż wtyczkę przewodu zasilającego przez otwór w tylnej ścianie obudowy sprężarki zamontowanej w obudowie.
- Połącz elektrycznie obudowę ze sprężarką, wkładając wtyczkę załączonego przewodu zasilania do gniazda.
- Zlikwiduj połączenie elektryczne obudowy ze sprężarką, wyjmując wtyczkę z gniazda, po uprzednim zwolnieniu zatrasku.

12. URUCHOMIENIE

- Należy skontrolować, czy zostały usunięte wszystkie elementy zabezpieczające zastosowane podczas transportu. (Rys. 3)
- Należy skontrolować prawidłowość podłączenia przewodów powietrza sprężonego. (Rys. 4)
- Należy skontrolować prawidłowość podłączenia do sieci elektrycznej.
- Sprężarkę należy włączyć włącznikiem ciśnieniowym(2) przez skręcenie przełącznika(3) do pozycji „I”.



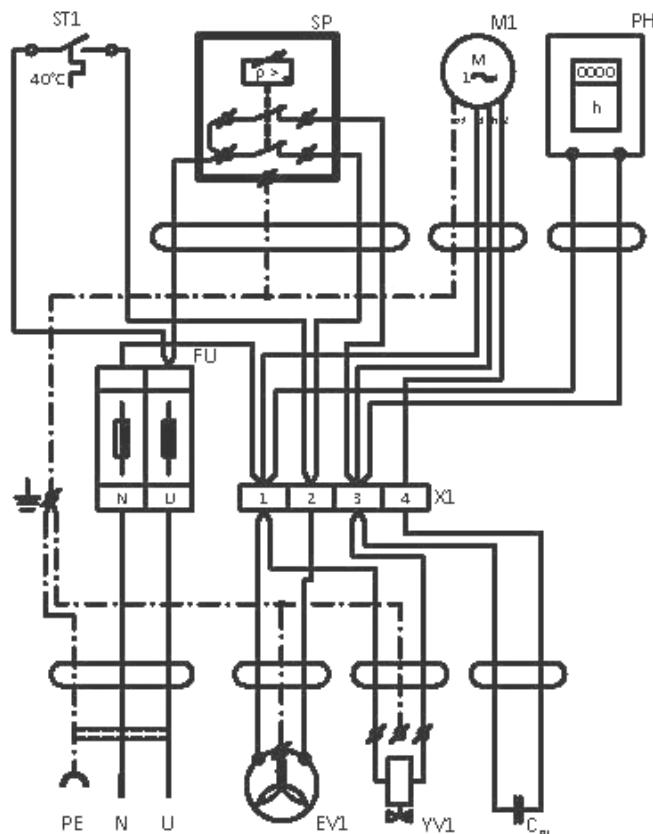
Sprężarka nie zawiera rezerwowego źródła energii elektrycznej.

13. SCHEMATY PODŁĄCZENIA

DK50 B

1/N/PE 230 V, 50/60 Hz

PRODUKT ELEKTRYCZNY KLASY 1.



Legenda schematu połączeń elektrycznych

M1	Silnik sprężarki	ST	Łącznik cieplny
EV1	Wentylator sprężarki	C1	Kondensator
YV1	Zawór solenoidowy	SP	Łącznik ciśnieniowy
FU	Bezpieczniki	X1	Klamerki
		PH	Licznik zegara eksploatacyjnego

EKSPLOATACJA

MONTAŻ I URUCHOMIENIE SPRĘŻARKI MOŻE PRZEPROWADZAĆ WYŁĄCZNIE WYKWALIFIKOWANY SPECJALISTA.



W razie niebezpieczeństwa należy odłączyć sprężarkę od sieci elektrycznej (wyciągnąć wtyczkę przewodu).



Agregat sprężarki ma gorące powierzchnie. Dotknięcie grozi oparzeniem lub zapłonem.



Automatyczne uruchomienie: kiedy ciśnienie w zbiorniku ciśnieniowym spadnie poniżej ciśnienia włączającego, sprężarka automatycznie się włączy. Kiedy ciśnienie w zbiorniku powietrza osiągnie wartość wyłączającą, sprężarka automatycznie się wyłączy.



Nie można zmieniać ustawień ciśnienia roboczego przełącznika ciśnieniowego ustalonego przez producenta. Praca kompresora przy ciśnieniu roboczym poniżej ciśnienia załączania oznacza duże zużycie powietrza (patrz rozdział Usterki).



Przy dłuższym biegu sprężarki temperatura w obudowie wzrośnie powyżej 40°C i w takim wypadku zostanie automatycznie włączony wentylator chłodzący. Po ochłodzeniu środowiska poniżej 32°C wentylator zostanie wyłączony.

14. WŁĄCZENIE SPRĘŻARKI

Rys. 5: Włączenie sprężarki



Sprężarka włączyć włącznikiem ciśnieniowym przez skrócenie przełącznika (3) do pozycji „I” sprężarka zacznie pracować i sprężać powietrze w zbiorniku. Przy odprowadzaniu powietrza sprężonego ciśnienie w zbiorniku zostanie obniżone do ciśnienia włączającego, sprężarka zostanie wyłączona i zbiornik będzie napełniony sprężonym powietrzem. Po osiągnięciu ciśnienia wyłączającego sprężarka zostanie automatycznie wyłączona. Po odprowadzeniu – obniżeniu ciśnienia w zbiorniku i osiągnięciu ciśnienia włączającego sprężarka zostanie ponownie włączona. Wartość ciśnienia włączającego oraz wyłączającego skontrolować na ciśnieniomierzu (5). Wartości mogą wahać się w granicach $\pm 10\%$. Ciśnienie powietrza w zbiorniku powietrza nie powinno przekroczyć dopuszczalnego ciśnienia roboczego.



Nie można samowolnie zmienić granicznych ciśnień włącznika ciśnieniowego sprężarki. Włącznik ciśnieniowy (1) został nastawiony u producenta i kolejne nastawienia ciśnienia włączającego i wyłączającego mogą być wykonane tylko przez kwalifikowaną osobę wyszkoloną przez producenta

15. WYŁĄCZENIE SPRĘŻARKI

- Wyłączenie sprężarki w celu naprawy lub innego powodu odbywa się za pomocą przełącznika ciśnienia (1), poprzez obrócenie przełącznika (2) do pozycji „0” (Rys. 5) i **wyciągnięcie wtyczki z gniazda sieciowego**. W ten sposób kompresor zostaje odłączony od źródła zasilania.
- Spuścić powietrze ze zbiornika powietrza, otwierając zawór spustowy.

KONSERWACJA PRODUKTU**16. KONSERWACJA PRODUKTU**

Operator powinien regularnie sprawdzać urządzenie w okresach określonych przez odpowiednie przepisy. Wyniki testów należy zapisywać.

Urządzenie zaprojektowano i wyprodukowano w taki sposób, aby ograniczyć ilość konserwacji do minimum. Aby zapewnić prawidłowe i niezawodne działanie sprężarki, należy przestrzegać poniższych zaleceń.



Interwencja niepowołanych osób — zagrożenie.

Prace naprawcze poza standardowymi czynnościami konserwacyjnymi (patrz rozdział 16.1) mogą być przeprowadzane wyłącznie przez wykwalifikowanego technika (organizację autoryzowaną przez producenta) lub serwis producenta.

Standardowe czynności konserwacyjne (patrz rozdział 16.1) mogą być przeprowadzane wyłącznie przez przeszkolony personel operatora.

Należy używać wyłącznie części zamiennych i akcesoriów zatwierdzonych przez producenta.



Niebezpieczeństwo zranienia lub uszkodzenia sprzętu.

Przed rozpoczęciem prac konserwacyjnych przy sprężarce należy:

- **sprawdzić, czy da się odłączyć sprężarkę od urządzenia, aby uniknąć ryzyka zranienia osoby korzystającej z tego urządzenia lub uszkodzenia materiałów;**
- **wyłączyć sprężarkę;**
- **odłączyć ją od sieci, wyjmując wtyczkę przewodu zasilania z gniazda;**
- **spuścić sprężone powietrze ze zbiornika powietrza.**



Wypuszczanie sprężonego powietrza stwarza ryzyko zranienia.

Podczas spuszczenia sprężonego powietrza z obwodu wysokociśnieniowego (zbiornika powietrza) i komory osuszacza należy mieć założone okulary ochronne.



Ryzyko poparzenia.

W trakcie działania sprężarki i krótko po jej wyłączeniu niektóre części pompy powietrza, układ pneumatyczny, części osuszacza i węże połączeniowe między sprężarką i osuszaczem mogą być gorące. Nie należy ich dotykać.

16.1. Interwały konserwacyjne

Odstęp czasu ^{c)}	50Hz		60Hz		Raz na tydzień	Raz na rok	Raz na 2 lata	Raz na						Rozdział	Zestaw części zamiennych	Serwisant	
	dziennie	godzin	dziennie	godzin				2000 godzin	4000 godzin	6000 godzin	8000 godzin	10000 godzin	12000 godzin				godzin
Przeglądy działania produktu	x														16.2	-	użytkownik
Spuścić kondensat ze zbiornika powietrza – przy dużej wilgotności	x	x													16.5	-	użytkownik
Kontrola funkcjonowania produktu		x													7	--	użytkownik
Sprawdzić szczelność połączeń i wykonać przegląd urządzenia					x										16.3	-	wykwalifikowany profesjonalista
Kontrola przyłączy elektrycznych					x										16.4	-	wykwalifikowany profesjonalista
Kontrola chłodnicy i wentylatora					x										16.8	-	wykwalifikowany profesjonalista
Kontrola zaworu bezpieczeństwa					x										16.6	-	wykwalifikowany profesjonalista
Wymiana filtra wlotowego agregatu ^{a)}						x				x					16.7	025200126-000	wykwalifikowany profesjonalista

a) dane podawane są w godzinach; jeżeli nie jest to możliwe, dane są rozpatrywane w latach

b) tylko dla sprężarek bez osuszaczy

c) W modelach sprężarek 60 Hz odstęp czasowy w godzinach należy skrócić o 20% (2000h./1600h., 4000h./3200h., 6000h./4800h., 8000h./6400h., 10000h./8000h., 12000h./9600h.)

Aby sprawdzić, czy sprężarka pracuje prawidłowo, należy okresowo wykonywać następujące czynności:

16.2. Kontrole operacyjne

- Sprawdzić stan agregatu – agregaty powinny pracować normalnie bez nadmiernych wibracji i hałasu. W przypadku wykrycia usterki rozwiązać wszelkie problemy lub skontaktować się z personelem serwisowym.
- Sprawdzić wzrokowo pracę wentylatora – wentylatory muszą pracować podczas pracy agregatów. W przypadku wykrycia usterki rozwiązać wszelkie problemy lub skontaktować się z personelem serwisowym.
- Sprawdzić, czy kabel zasilający i węże pneumatyczne nie są uszkodzone. Wymienić uszkodzone części lub zadzwonić do serwisu.
- Sprawdzić temperaturę otoczenia – temperatura otoczenia musi być niższa niż limit temperatury (40 °C). Jeżeli temperatura jest za wysoka, ochłodzić przestrzeń.
- W wypadku sprężarki z osuszaczem – otworzyć korek w butli na kondensat, aby odprowadzić kondensat.

16.3. Sprawdzanie połączeń pneumatycznych pod kątem wycieków i przegląd urządzenia

Sprawdzanie wycieków:

- Przeprowadzić inspekcję wycieków z połączeń pneumatycznych podczas działania sprężarki – sprężania.
- Sprawdzić połączenia pod kątem szczelności przy użyciu analizatora przecieków lub wody z mydłem. Dokręcić lub uszczelnić połączenie w miejscu wystąpienia nieszczelności.

Przegląd urządzenia:

- Sprawdzić stan agregatu sprężarki pod względem normalnej pracy i poziomu hałasu.
- Kontrola pracy wentylatora – wentylatory muszą pracować podczas zdefiniowanych cykli roboczych sprężarki
- Sprawdzić pracę wyłącznika temperaturowego (B2) – podgrzać wyłącznik temperaturowy do temperatury powyżej 40°C (np. za pomocą pistoletu grzewczego – uważać, aby nie stopić żadnych plastikowych elementów). Wentylator EV1 (oraz EV2 w wypadku sprężarki z osuszaczem) zostanie uruchomiony po osiągnięciu temperatury 40°C dopóki do sprężarki jest podłączone zasilanie.
- Sprawdzić stan filtra – filtry muszą być nieuszkodzone i wystarczająco czyste.
- Sprawdzić stan agregatu i upewnić się, że nie ma zanieczyszczeń w skrzyni korbowej lub luzu w wale korbowym.
- W razie potrzeby wymienić uszkodzone części.

16.4. Kontrola przyłączy elektrycznych



Ryzyko porażenia prądem elektrycznym.

Połączenie elektryczne produktu należy sprawdzać po odłączeniu od zasilania sieciowego.

- Sprawdź działanie przełącznika głównego pod względem mechanicznym.
- Sprawdź, czy przewód zasilania i przewodniki są nieuszkodzone.

- Skontroluj wizualnie, czy kable są podłączone do skrzynki zaciskowej.
- Sprawdź wszystkie połączenia śrubowe zielono-żółtego przewodu uziemiającego PE.

16.5. Spust kondensatu



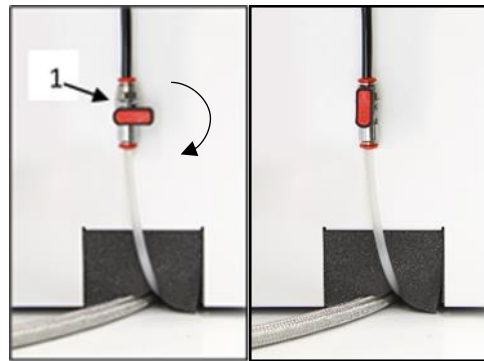
Ostrożnie i powoli otworzyć zawór spustowy. Szybkie otwarcie zaworu spustowego spowoduje powstanie głośnego dźwięku i niekontrolowany wypływ nagromadzonego kondensatu.



Ryzyko poślizgnięcia się na mokrej podłodze w przypadku przepełnienia naczynia.

Przy regularnej eksploatacji poleca się wypuścić kondensat ze zbiornika ciśnieniowego.

- Sprężarkę należy odłączyć od sieci i ciśnienie powietrza w urządzeniu obniżyć do ciśnienia maksymalnie 1 bar, na przykład wypuszczając powietrze przez podłączone urządzenie.
- Wąż z zaworem odwadniania skierować do uprzednio przygotowanego naczynia (przy kompresorze należy podstawić naczynie pod zawór wypuszczający) i przez otwarcie zaworu wylotowego (1) wypuścić kondensat ze zbiornika. Czekać, zanim kondensat ze zbiornika ciśnieniowego nie zostanie zupełnie wypuszczony. Zawór wylotowy (1) ponownie zamknąć.



Rys. 6: Spust kondensatu



Ze sprężarki ze skrzynką DK50 BS należy usunąć obudowę, podnosząc skrzynkę w górę przed wykonywanymi kontrolami

16.6. Kontrola zaworu bezpieczeństwa

- Śrubę (2) zaworu bezpieczeństwa (1) należy skrócić kilka razy w lewo, zanim przez zawór bezpieczeństwa zostanie wydmuchnięte powietrze.
- Zawór bezpieczeństwa powinien krótko swobodnie wydmuchnąć powietrze.
- Śrubę (2) skrócić w prawo aż do końca, zawór powinien być znów zamknięty.



Rys. 7: Kontrola zaworu bezpieczeństwa



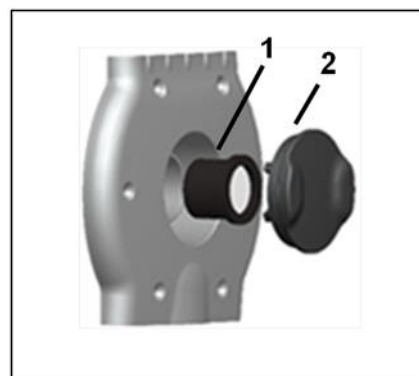
Zaworu bezpieczeństwa nie można stosować do obniżania ciśnienia zbiornika ciśnieniowego. Może to zagrozić funkcjonowaniu zaworu bezpieczeństwa który został u producenta nastawiony do dopuszczalnego maksymalnego ciśnienia, sprawdzony i oznaczony. Przesławianie jest wzbronione.



Ostrzeżenie! Sprężone powietrze jest niebezpieczne – może spowodować obrażenia oczu! Ryzyko uszkodzenia oczu!

16.7. Wymiana filtra wejściowego

- Ręką wyciągnąć gumowy korek (2).
- Zużyty i zanieczyszczony filtr wyjąć (1).
- Włożyć nowy filtr i wsadzić gumowy korek.



Rys. 8: Wymiana filtra wejściowego

16.8. Kontrola chłodnicy i wentylatora

Wszelkie wyposażenie, a w szczególności wentylator sprężarki, wentylator chłodnicy oraz chłodnica muszą być utrzymywane w czystości, aby zapewnić wydajne osuszanie; należy odkurzyć lub przedmuchać sprężonym powietrzem żeberka chłodzące i wentylatory, aby usunąć kurz z powierzchni.

16.9. Procedura podłączania sprężarki odłączonej od obudowy



Przed każdą naprawą bieżącą lub pracą remontową sprężarkę należy odłączyć od sieci elektrycznej (przez wyciągnięcie wtyczki z gniazdka).

Aby sprężarka (bez obudowy) działała prawidłowo, przewód zawsze musi być przymocowany do listwy zaciskowej (Rys. 9, poz. B). Wówczas zastępuje on przełącznik na obudowie.



Jeśli do listwy zaciskowej nie zostanie podłączony przewód sprężarki (odłączony od obudowy), sprężarka nie będzie działać!

Jeżeli przewód łączący sprężarkę i obudowę zostanie odłączony (poprzez wyjęcie wtyczki sieciowej) i sprężarka zostanie wyjęta z obudowy, urządzenie nie będzie działać. Dlatego najpierw należy utworzyć połączenie z listwą zaciskową za pomocą przewodu (zastępując funkcje bezpiecznika) (Rys. 9).

PROCES (Rys. 9):

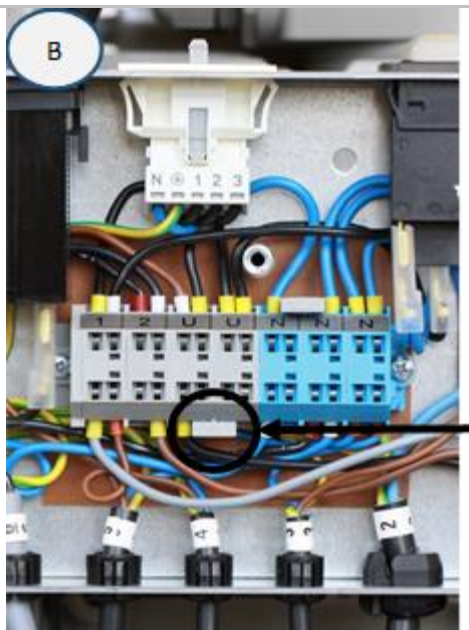
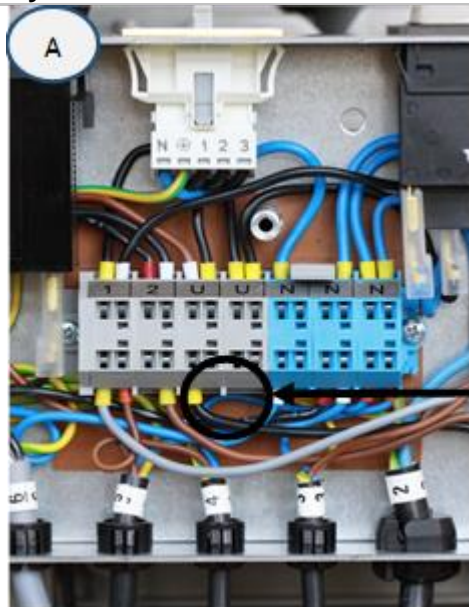
Instalacja przewodu (proces A-B)

- Odłącz urządzenie od sieci, wyjmując wtyczkę przewodu zasilania z gniazda.
- Zdejmij osłonę tablicy elektrycznej (na sprężarce).
- Przewód połączeniowy nie jest podłączony do listwy zaciskowej – A.
- Połącz przewód połączeniowy z listwą zaciskową – B.

- Z powrotem zamontuj osłonę tablicy elektrycznej.
- Podłącz urządzenie do sieci zasilającej.
- Włącz sprężarkę, obracając przełącznik na przełączniku ciśnienia.

Sprężarka – aby działała poza obudową, **konieczne** jest utworzenie połączenia elektrycznego za pomocą przewodu połączeniowego (Rys. 9, poz. B).

Rys. 9



230V

16.10. Procedura podłączania sprężarki do nowej obudowy



Przed każdą naprawą bieżącą lub pracą remontową sprężarkę należy odłączyć od sieci elektrycznej (przez wyciągnięcie wtyczki z gniazdka).

Aby sprężarka w obudowie działała prawidłowo, nie można podłączać przewodu połączeniowego do listwy zaciskowej (Rys. 9, poz. A). Przełącznik na obudowie włącza i wyłącza całe urządzenie,

w tym także sprężarkę.



Jeśli do listwy zaciskowej sprężarki podłączonej do obudowy jest podłączony przewód połączeniowy, przełącznik na obudowie sprężarki nie będzie działać!

Aby podłączyć do nowej obudowy sprężarkę, która wcześniej działała samodzielnie (bez obudowy), należy zlikwidować połączenie z listwą zaciskową sprężarki, postępując wg procedury opisanej niżej. Rys. 9). (Zobacz również rozdz. 11.1 i 11.2)

PROCES:

Usuwanie przewodu połączeniowego (proces B-A)

- Odłącz urządzenie od sieci, wyjmując wtyczkę przewodu zasilania z gniazda.
- Zdejmij osłonę tablicy elektrycznej (na sprężarce).
- Przewód połączeniowy jest podłączony do listwy zaciskowej – B.
- Odłącz przewód połączeniowy od listwy zaciskowej – A.
- Z powrotem zamontuj osłonę tablicy elektrycznej.
- Włóż sprężarkę do obudowy.
- Połącz obudowę ze sprężarką, wkładając wtyczkę przewodu zasilania do gniazda zasilania.
- Podłącz urządzenie do sieci zasilającej
- Włącz sprężarkę, obracając przełącznik na przełączniku ciśnienia i przełącznik (4) na obudowie, Rys. 5.

Sprężarka z obudową – gdy sprężarka działa w obudowie, **nie może** być połączenia elektrycznego. (Rys. 9, poz. A)

Uwaga: Jeśli sprężarka jest używana bez obudowy lub konieczne jest przeprowadzenie czynności konserwacyjnych, przewód połączeniowy odłączony od listwy zaciskowej należy przechowywać w wyznaczonym miejscu obok tablicy elektrycznej.

16.11. Czyszczenie i dezynfekcja powierzchni zewnętrznych produktu

Do czyszczenia i dezynfekcji powierzchni zewnętrznych produktu należy używać środków neutralnych.



Używanie agresywnych środków czyszczących i dezynfekujących zawierających alkohol i chlorki może doprowadzić do uszkodzenia powierzchni i zmiany koloru produktu.

17. WYŁĄCZENIE NA DŁUGI CZAS

Jeżeli sprężarka przez dłuższy okres nie będzie eksploatowana, poleca się spuścić kondensat ze zbiornika ciśnieniowego, a sprężarkę uruchomić na około 10 minut z otwartym zaworem do spuszczenia kondensatu (1) (Rys. 6). Potem sprężarkę (2) należy wyłączyć przełącznikiem włącznika ciśnieniowego (1) (Rys. 5) zamknąć zawór do wypuszczania kondensatu i urządzenie odłączyć od sieci elektrycznej.

18. UTYLIZACJA URZĄDZENIA

- Odłącz urządzenie od zasilania sieciowego.

- Wypuść powietrze ze zbiornika ciśnieniowego, otwierając zawór spustowy (Rys. 6).
- Zutylicuj urządzenie zgodnie z wszystkimi obowiązującymi przepisami.
- Powierz zadanie posortowania i utylizacji wyspecjalizowanej firmie.
- Zużyte części nie mają negatywnego wpływu na środowisko.

ROZWIĄZYWANIE PROBLEMÓW



Ryzyko porażenia prądem elektrycznym.

Przed podjęciem jakichkolwiek czynności odłącz urządzenie od zasilania sieciowego (wyjmij wtyczkę z gniazda).



Praca z elementami pneumatycznymi pod ciśnieniem stwarza ryzyko zranienia.

Przed podjęciem jakichkolwiek czynności całkowicie wypuść powietrze ze zbiornika powietrza i układu wysokociśnieniowego.



Rozwiązywanie problemów może być wykonywane wyłącznie przez wykwalifikowanego pracownika serwisu.

Usterki	Możliwa przyczyna	Sposób usunięcia	
Nie można uruchomić sprężarki	Brak napięcia na włączniku ciśnieniowym	Sprawdź napięcie w gnieździe	
		Sprawdzanie przełącznika głównego – przekręć przełącznik do pozycji „I”.	
		Luźny przewód na zacisku – dokręć	
			Sprawdź przewód elektryczny – wymień uszkodzony przewód
	Uszkodzenie uzwojenia silnika, uszkodzenie	Wymień silnik lub uzwojenie	
	Niesprawny kondensator	Wymień kondensator	
	Zamknięty tłok i inne części obrotowe	Wymień uszkodzone części	
	Włącznik ciśnieniowy nie włącza się	Skontrolować funkcjonowanie włącznika ciśnieniowego	
Przełącznik na obudowie nie włącza sprężarki	W obudowie znajduje się sprężarka, która wcześniej była używana osobno (do listwy zaciskowej jest podłączony przewód połączeniowy)	Odłącz przewód połączeniowy od listwy zaciskowej, zobacz rozdz. 17.10	
Sprężarka często się włącza	Uływ powietrza w systemie dystrybucji sprężonego powietrza	Kontrola rozrządu pneumatycznego – nieszczelne połączenia uszczelnić	
	Przeciekający zawór zwrotny	Wyczyścić zawór zwrotny, wymienić uszczelki, wymienić zawór zwrotny	
	W zbiorniku ciśnieniowym znajduje się dużo skondensowanej cieczy	Wypuścić skondensowaną ciecz	
	Niska wydajność sprężarki	Sprawdź czas potrzebny do napełnienia zbiornika powietrznego	
Niskie ciśnienie w zbiorniku powietrza	Wysokie zużycie powietrza przez urządzenie	Zmniejsz zużycie powietrza Użyj sprężarki o większej	

(sprężarka działa w trybie ciągłym)		pojemności
	wyciek sprężonego powietrza z pneumatycznego układu rozprowadzenia powietrza	Sprawdź układ pneumatyczny – uszczelnij luźne połączenia
	niska wydajność agregatu	Oczyść lub wymień pompę
	Usterka agregatu	Oczyść lub wymień pompę
Przedłużona praca sprężarki	Wyciek z pneumatycznego układu rozprowadzenia powietrza	Kontrola systemu dystrybucji sprężonego powietrza – uszczelnij nieszczelne połączenia
	Zużyty pierścień tłokowa	Wymień zużyty pierścień tłokowy
	Filtr wlotowy jest zanieczyszczony	Wymień stary filtr na nowy
	Wadliwa funkcja zaworu elektromagnetycznego	Naprawić lub wymienić zawór lub cewkę
Sprężarka głośno pracuje (stukanie, metaliczne dźwięki)	Uszkodzone łożysko tłoka, korbówód	Wymień uszkodzone łożysko
	Rozluźniona lub pęknięta sprężyna	Wymień uszkodzoną sprężynę

19. USŁUGA NAPRAWY

Naprawy gwarancyjne i pogwarancyjne powinny być wykonywane przez producenta, jego autoryzowanych przedstawicieli lub pracowników serwisu zatwierdzonych przez dostawcę.

Uwaga.

Producent zastrzega sobie prawo do wprowadzania zmian w urządzeniu bez powiadomienia. Żadne z wprowadzonych zmian nie będą miały wpływu na właściwości funkcjonalne urządzenia.

OBSAH

VŠEOBECNÉ INFORMÁCIE.....	75
1. ZHODA S POŽIADAVKAMI SMERNÍC EURÓPSKEJ ÚNIE.....	75
2. POUŽITÉ SYMBOLY.....	75
3. POUŽITIE ZARIADENIA	76
4. ZÁKLADNÉ BEZPEČNOSTNÉ POKYNY.....	76
5. SKLADOVACIE A PREPRAVNÉ PODMIENKY.....	78
POPIS VÝROBKU.....	79
6. VARIANTY	79
7. FUNKCIA VÝROBKU	79
TECHNICKÉ ÚDAJE	81
INŠTALÁCIA.....	82
8. INŠTALAČNÉ PODMIENKY.....	82
9. INŠTALOVANIE VÝROBKU	83
10. PNEUMATICKÉ PRIPOJENIE	84
11. ELEKTRICKÉ ZAPOJENIE	84
12. PRVÉ UVEDENIE DO PREVÁDZKY.....	85
13. ELEKTRICKÁ SCHÉMA.....	85
OBSLUHA.....	86
14. ZAPNUTIE KOMPRESORA	87
15. VYPNUTIE KOMPRESORA	87
ÚDRŽBA VÝROBKU	88
16. ÚDRŽBA VÝROBKU	88
17. Odstavenie	94
18. LIKVIDÁCIA PRÍSTROJA.....	94
VYHLÁDÁVANIE PORÚCH A ICH ODSTRÁNENIE.....	95
19. INFORMÁCIE O OPRAVÁRENSKEJ SLUŽBE	96
PRÍLOHA.....	97
20. ZÁZNAM O INŠTALÁCII	100

VŠEOBECNÉ INFORMÁCIE

Návod na použitie si pred použitím výrobku starostlivo prečítajte a uschovajte. Návod na použitie slúži na správne používanie - inštaláciu, obsluhu a údržbu výrobku.

Návod na použitie zodpovedá pri tlači vyhotoveniu výrobku a stavu podľa príslušných bezpečnostno-technických noriem. Výrobca si vyhradzuje všetky práva na ochranu pre uvedené zapojenia, postupy a názvy.

Slovenská verzia predstavuje originál návodu na použitie. Preklad návodu na použitie je vykonaný v súlade s najlepšimi znalosťami. V prípade nejasností platí slovenská verzia textu.

1. ZHODA S POŽIADAVKAMI SMERNÍC EURÓPSKEJ ÚNIE

Tento výrobok je v zhode s požiadavkami smerníc Európskej únie 2006/42/EC, 2014/29/EU, 2014/35/EU, 2014/30/EU, 2011/65/EU a je bezpečný pri použití v súlade so zamýšľaným použitím a dodržaním všetkých bezpečnostných pokynov.

Návod na použitie je vypracovaný v súlade s požiadavkami smernice 2006/42/EC.

2. POUŽITÉ SYMBOLY

V návode na použitie, na výrobku a balení sa používajú nasledujúce značky a symboly:



Všeobecná výstraha



Výstraha - nebezpečenstvo zásahu elektrickým prúdom



Výstraha - kompresor je ovládaný automaticky



Výstraha - horúci povrch



Všeobecné upozornenie



Čítaj návod na použitie



Dodržiavaj návod na použitie



CE – označenie



Pripojenie ochranného vodiča



Svorka pre ekvipotenciálne pospojovanie



Manipulačná značka na obale – krehké



Manipulačná značka na obale – týmto smerom nahor



Manipulačná značka na obale – chrániť pred dažďom



Manipulačná značka na obale – teplotné medze



Manipulačná značka na obale – obmedzené stohovanie



Značka na obale – recyklovateľný materiál



Výrobca

3. POUŽITIE ZARIADENIA

3.1. Zamýšľané použitie

Kompresor slúži ako zdroj čistého bezolejového stlačeného vzduchu pre použitie v priemysle a laboratóriách, kde stlačený vzduch vyhovuje svojimi parametrami a vlastnosťami.

Kompresor je určený výhradne na stláčanie vzduchu bez obsahu výbušných alebo chemicky nestabilných látok.

Kompresor je určený na prevádzku v čistých a suchých priestoroch.

3.2. Nesprávne použitie



Nebezpečenstvo kontaminácie.

Vzduch z kompresora nie je bez ďalšej úpravy vhodný na dýchanie a priamy kontakt s potravinami.



Nebezpečenstvo výbuchu.

Výrobok nie je určený na prevádzku v priestoroch, v ktorých hrozí nebezpečenstvo výbuchu.

Kompresor nesmie byť použitý na stláčanie agresívnych plynov.

Kompresor nesmie byť prevádzkovaný v priestoroch s výskytom horľavých pár.

Kompresor nesmie byť prevádzkovaný v iných podmienkach, ako je uvedené v Technických údajoch.

Akékoľvek použitie výrobku nad rámec zamýšľaného použitia sa považuje za nesprávne použitie. Výrobca nenesie zodpovednosť za akékoľvek škody alebo zranenia v dôsledku nesprávneho použitia alebo nerespektovania pokynov uvedených v tomto návode na použitie. Riziko znáša výlučne prevádzkovateľ / používateľ.

4. ZÁKLADNÉ BEZPEČNOSTNÉ POKYNY

Výrobok je navrhnutý a vyrobený tak, aby boli minimalizované akékoľvek riziká spojené s jeho použitím a výrobok bol bezpečný pre používateľa aj pre okolie pri používaní podľa zamýšľaného použitia a dodržaní nasledujúcich pokynov.

4.1. Požadovaná kvalifikácia personálu

- Každý používateľ musí byť zaškolený výrobcom alebo organizáciou poverenou výrobcom, prípadne oboznámený s obsluhou zariadenia iným zaškoleným používateľom.

- Inštaláciu, nové nastavenia, zmeny, rozšírenia a opravy výrobku smie vykonávať len výrobca alebo organizácia poverená výrobcom (ďalej kvalifikovaný odborník).
 - V opačnom prípade výrobca nenesie zodpovednosť za bezpečnosť, spoľahlivosť a správnu funkciu výrobku.

4.2. Všeobecné pokyny

- Pri prevádzke výrobku je potrebné rešpektovať zákony a regionálne predpisy platné v mieste používania. Za dodržiavanie predpisov je zodpovedný prevádzkovateľ a používateľ.
- Pred každým použitím výrobku je potrebné, aby sa používateľ presvedčil o jeho riadnej funkcii a bezpečnom stave. Pred zabudovaním kompresora do iných zariadení musí dodávateľ posúdiť, či dodávaný vzduch a konštrukcia zariadenia vyhovuje požiadavkám daného účelu použitia. Rešpektujte s týmto zreteľom technické údaje výrobku. Hodnotenie zhody má pri zabudovaní vykonávať výrobca - dodávateľ konečného výrobku.

4.3. Ochrana pred nebezpečným napätím a tlakom

- Zariadenie môže byť pripojené iba na správne namontovanú zásuvku s ochranným pripojením.
- Pred pripojením výrobku sa musí skontrolovať, či sú sieťové napätie a sieťový kmitočet uvedené na výrobku v súlade s hodnotami napájacej siete.
- Pred uvedením výrobku do prevádzky treba skontrolovať prípadné poškodenia pripájaných pneumatických a elektrických rozvodov. Poškodené pneumatické a elektrické vedenia sa musia ihneď vymeniť.
- Pri nebezpečných situáciách alebo technických poruchách je potrebné výrobok ihneď odpojiť zo siete (vytiahnuť sieťovú vidlicu).
- Poistný ventil sa nesmie prestavovať a používať na odtlakovanie vzdušníka.
- Pretlakový ventil sa nesmie prestavovať a používať na odtlakovanie zariadenia.

4.4. Originálne náhradné diely a príslušenstvo

- Bezpečnosť obsluhujúceho personálu a bezporuchová prevádzka výrobku sú zaručené len pri používaní originálnych častí výrobku. Používať sa smie len príslušenstvo a náhradné diely uvedené v technickej dokumentácii alebo vyslovene povolené výrobcom.
- Na škody, ktoré vznikli používaním iného príslušenstva a náhradných dielov ako predpisuje alebo odporúča výrobca, sa záruka nevzťahuje a výrobca za ne nenesie zodpovednosť.

5. SKLADOVACIE A PREPRAVNÉ PODMIENKY

Kompresor sa od výrobcu zasiela v prepravnom obale. Tým je výrobok zabezpečený pred poškodením pri preprave.



Nebezpečenstvo poškodenia pneumatických častí.

Kompresor sa smie prepravovať len bez tlaku. Pred prepravou nevyhnutne vypustiť tlak vzduchu z tlakovej nádrže a tlakových hadíc, vypustiť kondenzát zo vzdušníka.



Originálny obal uschovať pre prípadné vrátenie zariadenia. Pri preprave používať podľa možnosti vždy originálny obal kompresora pre optimálnu ochranu výrobku. Ak bude počas záručnej lehoty potrebné výrobok vrátiť, výrobca neručí za škody spôsobené nesprávnym zabalením výrobku.



Kompresor prepravovať nastojato, vždy zaistený prepravným fixovaním.



Počas prepravy a skladovania chrániť kompresor pred vysokou vlhkosťou, nečistotou a extrémnymi teplotami. Neskladovať v priestoroch spolu s prchavými chemickými látkami.



Ak nie je uschovanie originálneho obalu možné, zlikvidujte ho šetrne k životnému prostrediu. Prepravný kartón sa môže vyhodiť so starým papierom.



Zariadenie je zakázané skladovať a prepravovať mimo definovaných podmienok, pozri nižšie

5.1. Podmienky okolia

Výrobky je možné skladovať v priestoroch a dopravných prostriedkoch bez stôp prchavých chemických látok pri nasledujúcich klimatických podmienkach:

Teplota	–25°C až +55°C, do 24h až +70°C
Relatívna vlhkosť	max. 90% (bez kondenzácie)

POPIS VÝROBKU

6. VARIANTY

Kompresor sa vyrába podľa účelu v týchto variantoch:

DK50 B so základňou, ktorá umožňuje samostatné ustavenie kompresora.

DK50 BS so základňou v kompaktných skrinkách s účinným tlmením hluku, vhodné pre umiestnenie v ordinácii.



DK50 B



DK50 BS

7. FUNKCIA VÝROBKU

7.1. Kompresor

Agregát kompresora (1) nasáva atmosferický vzduch cez vstupný filter (8) a stláča ho cez spätný ventil (3) do vzdušníka (2). Spotrebič odoberá stlačený vzduch zo vzdušníka, čím klesne tlak na zapínací tlak nastavený na tlakovom spínači (4), pri ktorom sa zapne kompresor. Kompresor opäť stláča vzduch do vzdušníka až po hodnotu vypínacieho tlaku, kedy sa vypne kompresor. Po vypnutí kompresorového agregátu sa odvzdušní tlaková hadica cez odľahčovací solenoidný ventil (13). Poistný ventil (5) zamedzuje prekročeniu tlaku vo vzdušníku nad maximálnu dovolenú hodnotu. Čas činnosti kompresora ja zaznamenaný na prevádzkových hodinách. Vypúšťacím ventilom (7) sa vypúšťa kondenzát zo vzdušníka. Stlačený a čistý vzduch bez stôp oleja je vo vzdušníku pripravený pre ďalšie použitie.

7.2. Skrinka kompresora

Skrinka zabezpečuje kompaktné prekrytie kompresora, čím účinne tlmí hluk, pričom zabezpečuje dostatočnú výmenu chladiaceho vzduchu. Svojim dizajnom je vhodná pre umiestnenie v ordinácii ako súčasť jej nábytku. Ventilátor pod agregátom kompresora zabezpečuje chladenie kompresora a je v činnosti súčasne s motorom kompresora. Po dlhšej činnosti kompresora sa môže zvýšiť teplota v skrinke nad 40°C, kedy sa zopne automaticky chladiaci ventilátor. Po vychladení priestoru v skrinke pod cca 32°C, sa ventilátor automaticky vypne.



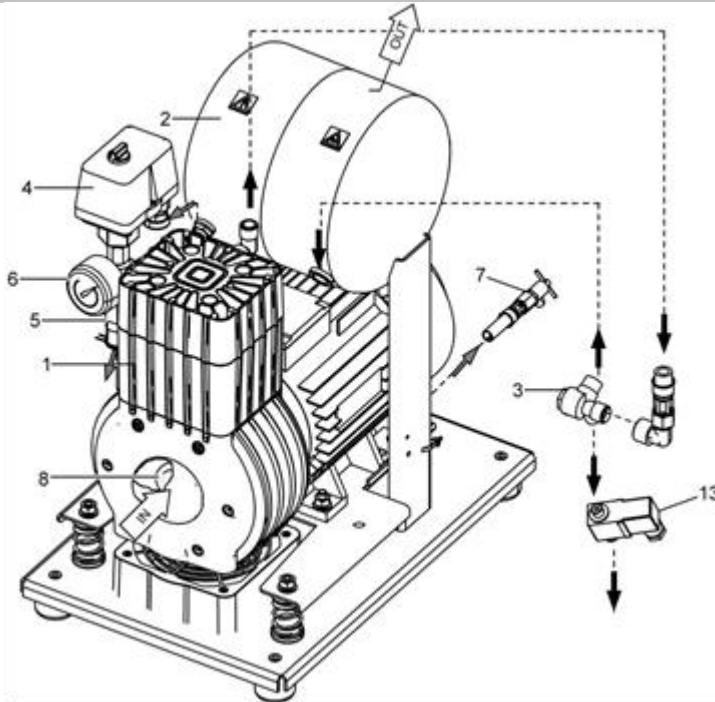
Nebezpečenstvo prehriatia kompresora.

Je zakázané vytvárať prekážky na vstupe chladiaceho vzduchu do skrinky (po obvode spodnej časti skrinky) a na výstupe teplého vzduchu v hornej zadnej časti skrinky.

V prípade umiestnenia kompresora na mäkkú podlahu, napr. koberec, je nutné vytvoriť medzeru medzi základňou a podlahou alebo skrinkou a podlahou, napr. podloženie pätiiek tvrdými podložkami z dôvodu zabezpečenia dostatočného chladenia kompresora.

Obr. 1: DK50 B - Kompresor

Popis k obrázku



- 1 Agregát kompresora
- 2 Vzdušník
- 3 Spätný ventil
- 4 Tlakový spínač
- 5 Poistný ventil
- 6 Tlakomer
- 7 Vypúšťací ventil
- 8 Vstupný filter
- 9 Solenoidný ventil

TECHNICKÉ ÚDAJE

Kompresory sú konštruované pre prevádzku v suchých, vetraných a bezprašných vnútorných priestoroch pri nasledujúcich klimatických podmienkach:

Teplota

+5°C až +40°C

Relatívna vlhkosť

max. 70%

Pracovný tlak 9,5 – 11,5 bar		DK50 B	DK50 BS
Menovité napätie	V, Hz	230, 50	230, 50
Frekvencia		230, 60 ^{a)}	230, 60 ^{a)}
Výkonnosť pri pretlaku 10 bar	l/min	50	50
Pracovný tlak	bar	9,5 – 11,5	9,5 – 11,5
Prúd max.	A	3,5	3,5
Výkon motora	kW	0,55	0,55
Objem vzdušníka	l	4	4
Povolený prevádzkový tlak poistného ventilu	bar	12	12
Hladina zvuku pri pretlaku 5 bar (L _{pA})	dB	≤65	≤45
Režim prevádzky	%	prerušovaný S 3-50	prerušovaný S 3-50
Rozmery (netto) š x h x v	mm	290x430x490	380x525x575
Hmotnosť netto	kg	35	47
Hmotnosť kompresora v kartóne	kg	37	49

^{a)} Prevedenie kompresora uviesť pri objednávaní

Korekcia FAD výkonnosti podľa nadmorskej výšky

Výkonnosť udávaná vo forme FAD („Free Air Delivery“) sa vzťahuje na podmienky:

Nadmorská výška	0 m.n.m.	Teplota	20°C
Atmosférický tlak	101325 Pa	Relatívna vlhkosť	0%

Pre prepočet FAD výkonnosti kompresora v závislosti od nadmorskej výšky je potrebné aplikovať korekčný faktor podľa nasledujúcej tabuľky:

Nadm. výška [m.n.m.]	0 -1500	1501 - 2500	2501 - 3500	3501 - 4500
Korekčný faktor FAD	1	0,8	0,71	0,60

INŠTALÁCIA



Nebezpečenstvo nesprávnej inštalácie.

Kompresor smie inštalovať a po prvýkrát uviesť do prevádzky len kvalifikovaný odborník. Jeho povinnosťou je zaškoliť obsluhujúci personál o používaní a údržbe zariadenia. Inštaláciu a zaškolenie obsluhy potvrdí zápisom v zázname o inštalácii zariadenia.

8. INŠTALAČNÉ PODMIENKY

- Kompresor sa smie inštalovať a prevádzkovať len v suchých, dobre vetraných a bezprašných priestoroch pri podmienkach uvedených v Technických údajoch.



Nebezpečenstvo poškodenia zariadenia.

Zariadenie nesmie byť prevádzkované vo vonkajšom prostredí, ani vo vlhkom alebo mokrom prostredí.



Nebezpečenstvo výbuchu.

Zariadenie je zakázané používať v priestoroch s prítomnosťou výbušných plynov, prachov alebo horľavých kvapalín.



Nebezpečenstvo popálenia alebo požiaru. Pozor horúci povrch.

Pri činnosti kompresora sa časti agregátu zohrejú na vysoké teploty nebezpečné pre dotyk obsluhy alebo materiálu.



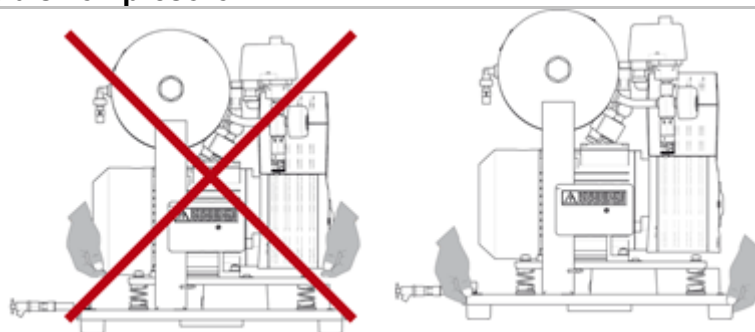
Pri prvom uvedení do prevádzky môžete dočasne (na krátky čas) cítiť charakteristický pach nového výrobku. Tento pach je len krátkodobý a nebráni riadnemu používaniu výrobku. Po inštalácii zabezpečte vetranie miestnosti.

- Kompresor sa musí inštalovať tak, aby bol ľahko prístupný pre obsluhu a údržbu a aby bol prístupný výrobný štítok.
- Kompresor musí stáť na rovnom, dostatočne stabilnom podklade (pozor na hmotnosť kompresora, pozri Technické údaje).
- Pred zabudovaním kompresora do musí dodávateľ posúdiť, aby médium – vzduch, dané k dispozícii, vyhovovalo požiadavkám daného účelu použitia. Rešpektujte za týmto účelom technické údaje výrobku. Klasifikáciu a hodnotenie zhody má pri zabudovaní vykonávať výrobca - dodávateľ konečného výrobku.
- Iné použitie alebo použitie nad tento rámec sa nepovažuje za používanie podľa určenia. Výrobca neručí za škody z toho vyplývajúce. Riziko znáša výlučne prevádzkovateľ / používateľ.

9. INŠTALOVANIE VÝROBKU

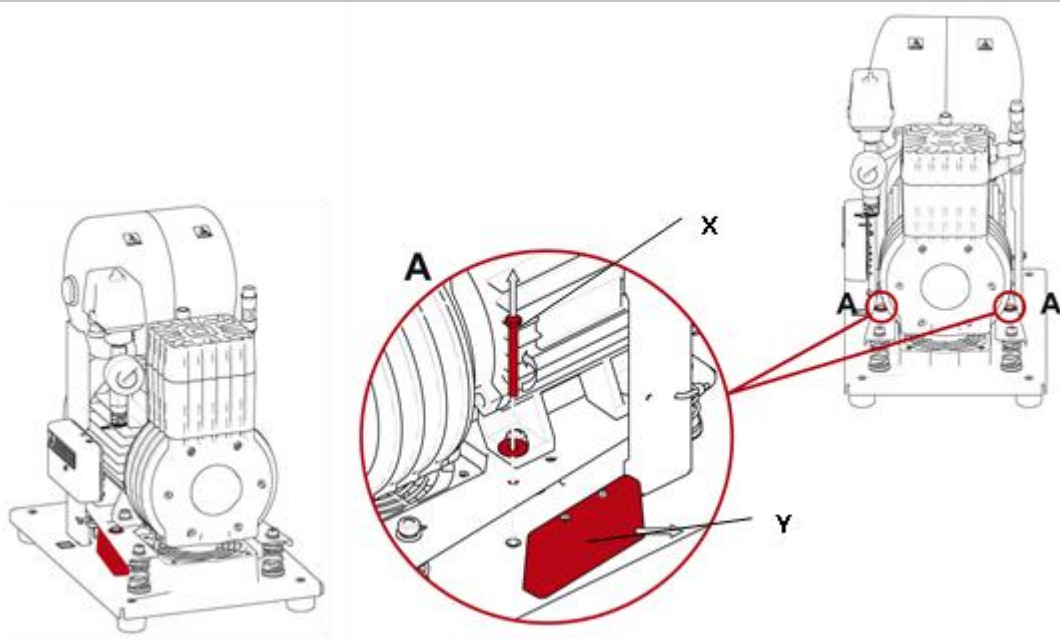
9.1. Manipulácia a odfixovanie

Obr. 2: Manipulácia s kompresorom



Pred prvým uvedením do prevádzky sa musia odstrániť všetky istiace prvky slúžiace na fixáciu zariadenia počas dopravy – inak hrozí poškodenie výrobku.

Obr. 3: Odfixovanie



Kompresor so základňou DK50 B (Obr. 3)

Výrobok po vybalení z obalu postaviť základňou na podlahu miestnosti, uvoľniť ho od obalových materiálov a odstrániť fixačné diely (X, Y) - detail A. Výstupnú tlakovú hadicu, hadicu odkalovania a šnúru elektrického prívodu nasmerovať v zadnej časti kompresora smerom od kompresora.

Kompresor v skrinke DK50 BS (Obr. 3)

Výrobok po vybalení z obalu postaviť základňou na podlahu miestnosti, uvoľniť ho od obalových materiálov a odstrániť fixačné diely (X, Y) - detail A. Výstupnú tlakovú hadicu, hadicu odkalovania a šnúru elektrického prívodu nasmerovať v zadnej časti kompresora smerom od kompresora. Na kompresor zhora nasunúť skrinku tak, že predné čelo skrinky smeruje k prednej časti kompresora a výplň skrinky fixuje základňu po jej obvode. Skontrolovať, či tlaková hadica, hadica

odkalovania a elektrická šnúra sú správne vyvedené cez zadný otvor skrinky. Odkalovaciu hadicu s odkalovacím ventilom uchytiť v držiaku na zadnej stene skrinky.

10. PNEUMATICKÉ PRIPOJENIE

10.1. Pripojenie k výstupu stlačeného vzduchu

- Na výstup stlačeného vzduchu (2) kompresora viesť tlakovú hadicu zakončenú vsuvkou rýchlospojky (1) a hadicu viesť k pneumatickému rozvodu alebo priamo k spotrebiču.



Obr. 4: Pripojenie k výstupu stlačeného vzduchu

11. ELEKTRICKÉ ZAPOJENIE

- Výrobok sa dodáva so šnúrou zakončenou vidlicou s ochranným kontaktom.
- Zásuvka musí byť z bezpečnostných dôvodov dobre prístupná, aby sa výrobok v prípade nebezpečenstva mohol bezpečne odpojiť zo siete.
- Príslušný prúdový okruh musí byť v rozvode elektrickej energie istený maximálne 16 A.



Nebezpečenstvo úrazu elektrickým prúdom.

Je nevyhnutne potrebné rešpektovať miestne elektrotechnické predpisy. Napätie siete a kmitočet musia súhlasiť s údajmi na prístrojovom štítku.



Nebezpečenstvo požiaru a úrazu elektrickým prúdom.

Elektrická šnúra na pripojenie na elektrickú sieť nesmie byť zlomená.



Nebezpečenstvo požiaru a úrazu elektrickým prúdom.

Elektrický kábel sa nesmie dotýkať horúcich častí kompresora.

11.1. Zapojenie kompresora bez skrinky

- Vidlicu sieťovej šnúry zapojiť do sieťovej zásuvky
- Kompresor je pripravený k prevádzke

11.2. Zapojenie kompresora v skrinke

- Pri kompresore v skrinke vyviesť sieťovú šnúru cez otvor zadnej stene skrinky.
- Skrinku elektricky pripojiť ku kompresoru pomocou šnúry s konektorom do zásuvky.
- Skrinku elektricky odpojiť od kompresora vytiahnutím konektora zo zásuvky pri uvoľnenej západke.

12. PRVÉ UVEDENIE DO PREVÁDZKY

- Skontrolovať, či boli odstránené všetky fixačné prvky použité počas prepravy. (Obr. 3)
- Skontrolovať správnosť pripojenia hadíc stlačeného vzduchu. (Obr. 4).
- Skontrolovať správne pripojenie na elektrickú sieť (pozri kap.11).
- Kompresor zapnúť na tlakovom spínači (2) otočením spínača (3) do polohy „I“.



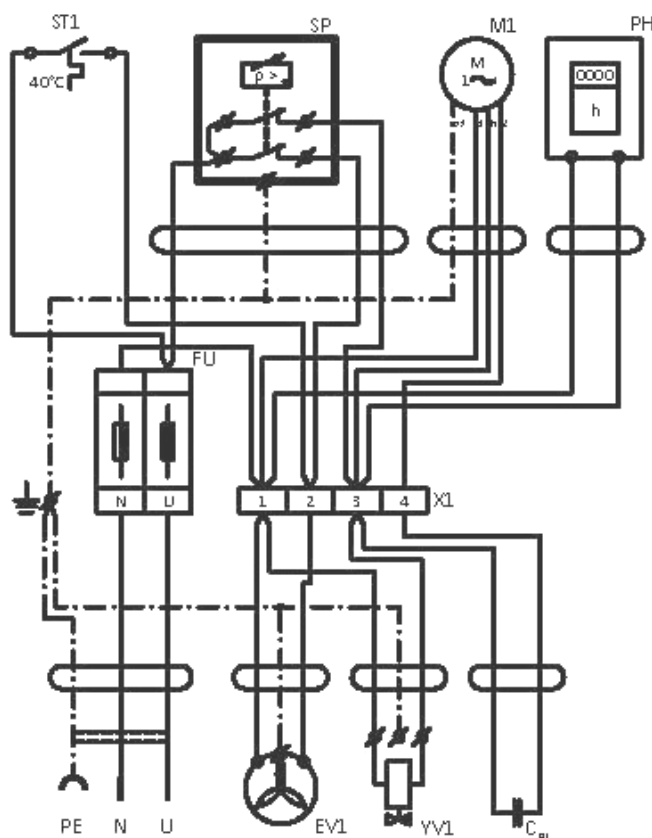
Kompresor neobsahuje záložný zdroj energie.

13. ELEKTRICKÁ SCHÉMA

DK50 B

1/N/PE~230 V, 50/60 Hz

ELEKTRICKÝ PREDMET TR.1



Popis k elektrickým schémam

M1 Motor kompresora
 EV1 Ventilátor kompresora
 YV1 Solenoidný ventil
 FU Poistky

ST Teplotný snímač
 C1 Kondenzátor
 SP Tlakový spínač
 X1 Svorkovnica
 PH Počítadlo hodín

OBSLUHA

ZARIADENIE SMIE OBSLUHOVAŤ LEN VYŠKOLENÝ PERSONÁL !



Nebezpečenstvo úrazu elektrickým prúdom.

Pri nebezpečenstve odpojiť kompresor od elektrickej siete (vytiahnuť sieťovú zástrčku).



Nebezpečenstvo popálenia alebo požiaru.

Pri činnosti kompresora sa časti agregátu môžu zohriať na teploty nebezpečné pre dotyk osôb alebo materiálu.



Výstraha – kompresor je ovládaný automaticky.

Automatické spustenie. Keď tlak v tlakovej nádrži poklesne na zapínací tlak, kompresor sa automaticky zapne. Kompresor sa automaticky vypne, keď tlak vo vzdušníku dosiahne hodnotu vypínacieho tlaku.



Nebezpečenstvo poškodenia pneumatických častí.

Je zakázané meniť pracovné tlaky tlakového spínača nastaveného u výrobcu. Činnosť kompresora pri nižšom pracovnom tlaku ako je zapínací tlak svedčí o vysokej spotrebe vzduchu (pozri kap. Vyhľadávanie porúch a ich odstránenie).



Pri dlhšom chode kompresora sa zvýši teplota v okolí kompresora nad 40 °C a automaticky sa zopne chladiaci ventilátor. Po vychladení priestoru pod približne 32 °C sa ventilátor opäť vypne.

14. ZAPNUTIE KOMPRESORA

Obr. 5: Zapnutie kompresora



Kompresor zapnúť na tlakovom spínači (1) otočením prepínača (2) do polohy „I“, kompresor začne pracovať a tlakovať vzduch do vzdušníka. Pri odbere tlakového vzduchu poklesne tlak vo vzdušníku na zapínací tlak, uvedie do činnosti kompresor a vzdušník sa naplní stlačeným vzduchom. Po dosiahnutí vypínacieho tlaku sa kompresor automaticky vypne. Po odpustení - znížení tlaku vo vzdušníku a dosiahnutí zapínacieho tlaku, kompresor sa znovu uvedie do činnosti. Hodnoty zapínacieho a vypínacieho tlaku skontrolovať na tlakomeri (3). Hodnoty môžu byť v tolerancii $\pm 10\%$. Tlak vzduchu vo vzdušníku nesmie prekročiť povolený prevádzkový tlak.



Nebezpečenstvo poškodenia pneumatických častí.

Tlakový spínač (1) bol nastavený u výrobcu a ďalšie nastavenie zapínacieho a vypínacieho tlaku môže vykonať iba kvalifikovaný odborník vyškolený výrobcom.

15. VYPNUTIE KOMPRESORA

- Vypnutie kompresora kvôli vykonaniu servisu alebo z iného dôvodu vykonať na tlakovom spínači (1) otočením prepínača (2) do polohy „0“ (Obr. 5) a **vytiahnutím sieťovej vidlice zo zásuvky**. Kompresor je tým odpojený od napájacej siete.
- Otvorením vypúšťacieho ventilu znížiť tlak vo vzdušníku na nulu.

ÚDRŽBA VÝROBKU

16. ÚDRŽBA VÝROBKU



Prevádzkovateľ je povinný zabezpečiť vykonávanie skúšok zariadenia v intervaloch, ktoré určujú príslušné národné právne predpisy. O výsledkoch skúšok musí byť vykonaný záznam.

Zariadenie je navrhnuté a vyrobené tak, aby jeho údržba bola minimálna. Pre riadnu a spoľahlivú činnosť kompresora je však potrebné vykonávať práce podľa nasledujúceho popisu.



Nebezpečenstvo neodborného zásahu.

Opravné práce, ktoré presahujú rámec bežnej údržby (pozri kap. 16.1 Intervaly údržby), smie vykonávať iba kvalifikovaný odborník (organizácia poverená výrobcom) alebo zákaznícky servis výrobcu.

Práce v rámci bežnej údržby (pozri kap. 16.1 Intervaly údržby) smie vykonávať iba zaškolený pracovník obsluhy.

Používať sa smú iba náhradné diely a príslušenstvo predpísané výrobcom.



Nebezpečenstvo úrazu a poškodenia zariadenia.

Pred začatím prác týkajúcich sa údržby kompresora je nutné:

- skontrolovať, či je možné odpojiť kompresor od spotrebiča, aby tým nevzniklo riziko poškodenia zdravia osoby používajúcej daný spotrebič, prípadne iné materiálne škody;
- vypnúť kompresor;
- odpojiť ho z elektrickej siete (vytiahnuť sieťovú zástrčku);
- vypustiť stlačený vzduch zo vzdušníka.



Nebezpečenstvo úrazu pri vypúšťaní stlačeného vzduchu.

Pri vypúšťaní stlačeného vzduchu z pneumatického rozvodu (vzdušníka) je potrebné chrániť si zrak – použiť ochranné okuliare.



Nebezpečenstvo popálenia.

Počas činnosti kompresora alebo krátko po jej ukončení majú časti agregátu (hlava, valec, tlaková hadica) vysokú teplotu – nedotýkať sa uvedených častí.

Pred údržbou, servisom výrobku alebo pripájaním / odpájaním prívodu tlakového vzduchu nechať zariadenie vychladnúť!

16.1. Intervaly údržby

Časový interval ^{c)}	50 Hz	1x za deň	1x za týždeň	1x za rok	1x za 2 roky	2000 h	4000 h	6000 h	8000 h	10000 h	12000 h	Kap. náhradných dielov	Súprava náhradných dielov	Vykoná
	60 Hz					1600 h	3200 h	4800 h	6400 h	8000 h	9600 h			
Kontrola činnosti výrobu	x											0	-	obsluha
Vypustiť kondenzát zo vzdušníka ^{b)} – Pri vysokej vlhkosti vzduchu	x											16.5	-	
Kontrola funkcie výrobu			x									7	-	kvalifikovaný odborník
Kontrola tesnosti spojov a kontrolná prehliadka zariadenia				x								16.3	-	
Kontrola elektrických spojov				x								16.4	-	
Kontrola chladiča a ventilátora				x								16.8	-	
Kontrola poistného ventilu				x								16.6	-	
Výmena vstupného filtra agregátu ^{a)}					x		x		x		x	16.7	025200126-000	

^{a)} platí údaj v hodinách, ak nie je dostupný, potom platí údaj o rokoch

^{b)} platí len pre prevedenie bez sušiča

^{c)} Pri prevedení kompresora 60 Hz sa časový interval v hodinách skráti o 20 % (2000h./1600h., 4000h./3200h., 6000h./4800h., 8000h./6400h., 10000h./8000h., 12000h./9600h.)

Na zaistenie správnej činnosti kompresora, treba v intervaloch vykonávať nasledujúce činnosti:

16.2. Kontrola činnosti

- Kontrolovať stav agregátov – agregáty musia mať rovnomerný chod, bez vibrácií, primeranú hlučnosť. V prípade negatívneho výsledku hľadať príčinu stavu alebo volať servis.
- Kontrolovať činnosti ventilátorov (zrakom) – ventilátory musia byť v činnosti v čase, keď sú v činnosti agregáty. V prípade negatívneho výsledku hľadať príčinu stavu alebo volať servis.
- Kontrolovať neporušenosť prívodného kábla, pneumatických hadíc. Poškodené diely vymeniť alebo volať servis.
- Kontrola teploty okolia – teplota okolia musí byť pod povolenou teplotou (40°C). V prípade vyššej teploty zlepšiť chladenie v miestnosti.
- Pri kompresore so sušičom vzduchu - na fľaši na kondenzát uvoľniť zátku a vyliat kondenzát.

16.3. Kontrola tesnosti pneumatických spojov a kontrolná prehliadka zariadenia

Kontrola tesnosti

- Kontrolu tesnosti pneumatických rozvodov kompresora vykonať počas činnosti – tlakovania kompresora.
- Analyzátorom netesností alebo mydlovou vodou kontrolovať tesnosť spojov. Ak je indikovaná netesnosť, spoj je potrebné dotiahnuť, prípadne spoj utesniť.

Prehliadka zariadenia

- Skontrolovať stav agregátu kompresora - rovnomernosť chodu, primeraná hlučnosť.
- Kontrola činnosti ventilátorov - ventilátory musia byť v činnosti v predpísaných cykloch činnosti kompresora.
- Kontrola funkcie teplotného spínača (B2) – teplotný spínač zahriať na teplotu vyššiu ako 40 °C (napr. teplotnou pištoľou – Pozor, nepôsobit' vysokou teplotou na plastové diely v okolí, môže dôjsť k deformácii plastov). Po dosiahnutí teploty 40 °C sa uvedie do činnosti ventilátor EV1 (aj EV2, v prípade kompresora so sušičom) – kompresor musí byť pod napätím.
- Skontrolovať stav filtrov – filtre musia byť bez poškodenia a primerane čisté.
- Skontrolovať stav samotného agregátu, skontrolovať, či nie sú nečistoty v kľukovej skrini, príp. vôľa na kľukovom hriadeľi.
- V prípade zistených nedostatkov chybné súčiastky vymeniť.

16.4. Kontrola elektrických spojov



Nebezpečenstvo úrazu elektrickým prúdom.

Kontrolu elektrických spojov výrobku vykonávať pri odpojení sieťovom napätí.

- Skontrolovať mechanickú funkčnosť hlavného vypínača.
- Skontrolovať neporušenosť prívodného kábla, pripojenie vodičov.
- Vizuálne skontrolovať pripojenie káblov na svorkovnicu.
- Skontrolovať všetky skrutkové spoje ochranného zelenožltého vodiča PE.

16.5. Vypustenie kondenzátu



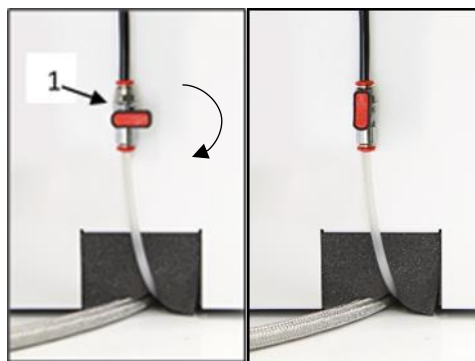
Vypúšťací ventil otvárať opatrne a postupne. Veľké otvorenie vypúšťacieho ventilu je sprevádzané výrazným akustickým prejavom a nekontrolovaným vystreknutím nahromadeného kondenzátu.



Riziko pošmyknutia na vlhkej podlahe v prípade pretečenia nádoby.

Pri pravidelnej prevádzke sa odporúča vypustiť kondenzát z tlakovej nádoby.

- Kompresor vypnúť zo siete a tlak vzduchu v zariadení znížiť na tlak max. 1 bar, napríklad odpustením vzduchu cez pripojené zariadenie.
- Hadicu s odkalovacím ventilom nasmerovať do vopred pripravenej nádoby a otvorením vypúšťacieho ventilu (1) vypustiť kondenzát z nádrže



Obr. 6: Vypustenie kondenzátu z tlakovej nádoby



Pri kompresore DK50 BS je potrebné odložiť skrinku. Nadvihnúť skrinku smerom nahor pred nasledovnými kontrolami.

16.6. Kontrola poistného ventilu

- Skrutku (2) poistného ventilu (1) otočiť niekoľko otáčok doľava kým vzduch cez poistný ventil nevyfúkne.
- Poistný ventil nechať len krátko voľne vyfúknuť.
- Skrutku (2) otáčať doprava až na doraz, ventil musí byť teraz opäť zatvorený.



Obr. 7: Kontrola poistného ventilu



Nebezpečenstvo nebezpečného nárastu tlaku pri poškodení poistného ventilu.

Poistný ventil sa nesmie používať na odtlakovanie vzdušníka. Môže byť ohrozená funkcia poistného ventilu. U výrobcu je nastavený na povolený maximálny tlak, je preskúšaný a označený.

Poistný ventil sa nesmie prestavovať.

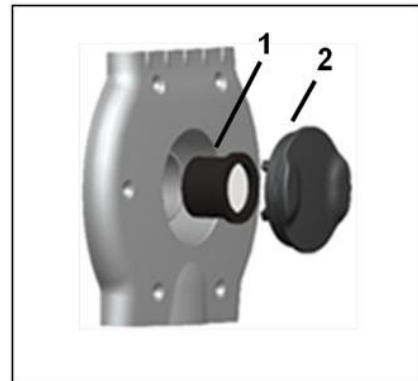


Nebezpečenstvo úrazu pri vypúšťaní stlačeného vzduchu.

Pri kontrole poistného ventilu je potrebné chrániť si zrak – použiť ochranné okuliare.

16.7. Výmena vstupného filtra

- Rukou vytiahnuť gumenú zátku (2).
- Znečistený vstupný filter (1) vybrať.
- Vložiť nový filter a nasadiť gumenú zátku.



Obr. 8: Výmena vstupného filtra

16.8. Kontrola chladiča a ventilátora

Aby bolo sušenie účinné, je treba udržiavať celé zariadenie a najmä ventilátor kompresora, ventilátor chladiča a chladič v čistote. Odsať alebo stlačeným vzduchom prefúknuť usadený prach z povrchu chladiacich rebier a ventilátorov.

16.9. Postup pri zapojení kompresora odpojeného od skrinky



Pred každou prácou pri údržbe alebo oprave kompresor nevyhnutne vypnite a odpojte zo siete (vytiahnuť sieťovú zástrčku).

Kompresor (bez skrinky) potrebuje pre správnu činnosť, aby prepojka / mostík (jumper) bola vždy osadená v svorkovnici (Obr. 9 Poz. B). Nahradzuje vtedy zapnutie vypínača umiestneného na skrinke.



Ak vo svorkovnici kompresora (nepripojeného ku skrinke) nie je osadená prepojka / mostík, nebude funkčný kompresor !

V prípade vybratia kompresora zo skrinky a odpojenia šnúry medzi kompresorom a skrinkou (vytiahnutím vidlice konektora), kompresor nie je funkčný. Preto je nutné najskôr vytvoriť prepoj na svorkovnici prepojkou / mostíkom (nahradí funkciu vypínača na skrinke) (Obr. 9 Poz. A).

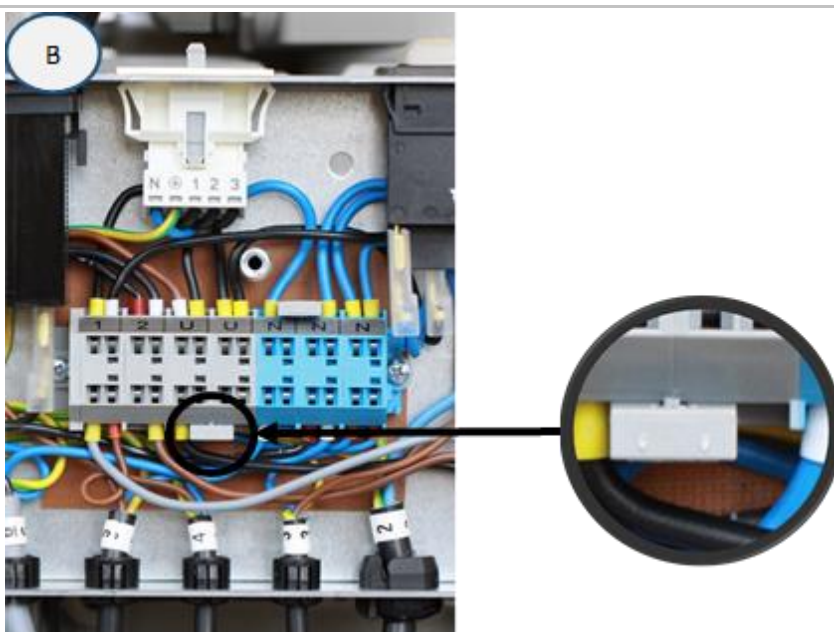
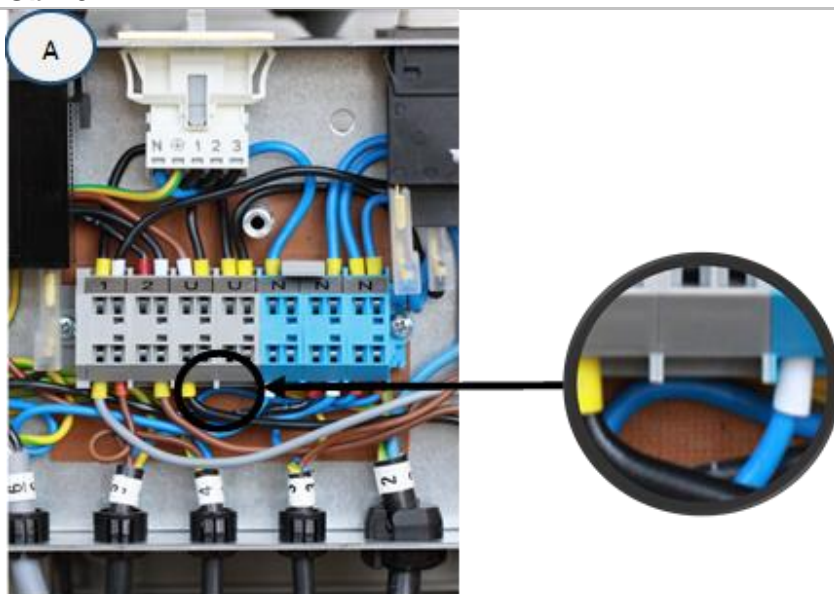
POSTUP:

Montáž prepójky / mostíka (postup A-B)

- Odpojiť výrobok od elektrickej siete vytiahnutím vidlice zo zásuvky.
- Demontovať kryt elektropanelu (na kompresore).
- Mostík nie je vo svorkovnici - A.
- Zasuňte mostík do svorkovnice - B.
- Namontovať kryt elektropanelu späť.
- Pripojiť výrobok k elektrickej sieti.
- Kompresor uviesť do činnosti zapnutím vypínača na tlakovom spínači.

Kompresor - pri činnosti mimo skrinky **musí** mať vytvorený elektrický spoj prepojkou / mostíkom.

Obr. 9



230 V

16.10. Postup pri zapojení kompresora k novej skrinke



Pred každou prácou pri údržbe alebo oprave kompresor nevyhnutne vypnite a odpojte zo siete (vytiahnuť sieťovú zástrčku).

Kompresor v skrinke potrebuje pre správnu činnosť, aby prepojka / mostík (jumper) nebola osadená v svorkovnici (Obr. 9 Poz. A). Vypínač umiestnený na skrinke zapína a vypína celý výrobok vrátane kompresora.



Ak vo svorkovnici kompresora pripojeného ku skrinke e osadená prepojka / mostík, nebude funkčný vypínač na skrinke !

Ak ku kompresoru, ktorý predtým pracoval samostatne (kompresor bez skrinky), chceme pripojiť novú skrinku, potom je nutné zrušiť prepój vo svorkovnici kompresora vykonaním postupu, vid' ďalej. (Obr. 9 Poz. B). (Pozri tiež kap. 11.1 a 11.2).

POSTUP:

Demontáž prepójky / mostíka (postup B-A)

- Odpojiť výrobok od elektrickej siete vytiahnutím vidlice zo zásuvky.
- Demontovať kryt elektropanelu (na kompresore).
- Mostík je vo svorkovnici –B
- Vybrať mostík zo svorkovnice – A
- Namontovať kryt elektropanelu späť.
- Zasuňúť kompresor do skrinky.
- Pripojiť výrobok k elektrickej sieti.

Kompresor so skrinkou - pri činnosti v skrinke **nesmie** mať elektrický prepój. (Obr. 9 Poz. A).

Poznámka : **Mostík, ktorý nie je osadený vo svorkovnici, je potrebné uschovať pre prípad použitia kompresora bez skrinky alebo pre prípad servisného zásahu**, na určené miesto pri elektropaneli.

16.11. Čistenie a dezinfekcia vonkajších plôch výrobku

Na čistenie a dezinfekciu vonkajších plôch výrobku používať neutrálne prostriedky.



Používanie agresívnych čistiacich a dezinfekčných prostriedkov obsahujúcich alkohol a chlorid môže viesť k poškodeniu povrchu a zmeny farby výrobku.

17. Odstavenie

V prípade, že sa kompresor nebude dlhší čas používať, odporúča sa vypustiť kondenzát z tlakovej nádoby a kompresor uviesť do prevádzky asi na 10 minút s otvoreným ventilom na vypúšťanie kondenzátu (1) (Obr. 6). Potom kompresor vypnúť vypínačom (2) na tlakovom spínači (1) (Obr. 5), uzatvoriť ventil na vypúšťanie kondenzátu a odpojiť zariadenie od elektrickej siete.

18. Likvidácia prístroja

- Odpojiť zariadenie od elektrickej siete.
- Vypustiť tlak vzduchu v tlakovej nádrži otvorením ventilu na vypúšťanie kondenzátu (1) (Obr. 6).
- Zariadenie zlikvidovať podľa miestne platných predpisov.
- Triedenie a likvidáciu odpadu zadať špecializovanej organizácii.
- Časti výrobku po skončení jeho životnosti nemajú negatívny vplyv na životné prostredie.

VYHL'ADÁVANIE PORÚCH A ICH ODSTRÁNENIE



Nebezpečenstvo úrazu elektrickým prúdom.

Pred zásahom do zariadenia je nutné odpojiť ho z elektrickej siete (vytiahnuť sieťovú zástrčku).



Nebezpečenstvo úrazu pri práci s pneumatickými časťami pod tlakom.

Pred zásahom do zariadenia je potrebné znížiť tlak vo vzdušníku, komorách AD sušiča a v pneumatickom systéme na nulu.



Činnosti súvisiace s odstraňovaním porúch smie vykonávať len kvalifikovaný odborník servisnej služby.

Porucha	Možná príčina	Spôsob odstránenia
Kompresor sa nerozbíha	V tlakovom spínači nie je napätie	Kontrola napätia v zásuvke
		Kontrola stavu istiaceho vypínača - uviesť do stavu zapnuté „I“
		Uvoľnený vodič zo svorky - opraviť
		Kontrola elektrickej šnúry - chybnú vymeniť
	Prerušené vinutie motora, poškodená tepelná ochrana	Motor vymeniť, resp. previnúť vinutie
	Chybný kondenzátor	Kondenzátor vymeniť
Vypínač skrinky nevypína kompresor	Zadretý piest alebo iná rotačná časť	Poškodené časti vymeniť
	Nespína tlakový spínač	Skontrolovať funkciu tlakového spínača
Kompresor spína často	V skrinke je umiestnený kompresor, ktorý pracoval samostatne (vo svorkovnici kompresora je mostík)	Odstrániť mostík vo svorkovnici
	Únik vzduchu z pneumatického rozvodu	Kontrola pneumatického rozvodu – uvoľnený spoj utesniť
	Netesnosť spätného ventilu (SV)	SV vyčistiť, vymeniť tesnenia, vymeniť SV
	V tlakovej nádobe je väčšie množstvo skondenzovanej kvapaliny	Vypustiť skondenzovanú kvapalinu
Nízky tlak vo vzdušníku (kompresor je v činnosti trvale)	Nízka výkonnosť kompresora	Kontrola času naplnenia vzdušníka
	Vysoká spotreba vzduchu spotrebičom	Zníženie spotreby vzduchu Použitie výkonnejšieho kompresora
	Netesnosti v pneumatickom rozvode	Kontrola pneumatického rozvodu – netesné spoje utesniť
	Nízka výkonnosť agregátu	Oprava / výmena agregátu
Chod kompresora sa predlžuje	Porucha agregátu	Oprava / výmena agregátu
	Únik vzduchu z pneumatického rozvodu	Kontrola pneumatického rozvodu – uvoľnený spoj utesniť
	Opotrebený piestny krúžok	Opotrebený piestny krúžok vymeniť

	Znečistený vstupný filter	Znečistený filter nahradiť novým
	Nesprávna funkcia solenoidného ventilu	Opraviť alebo vymeniť ventil alebo cievku
Kompresor je hlučný (klepanie, kovové zvuky)	Poškodené ložisko piesta, ojnice, ložisko motora	Poškodené ložisko vymeniť
	Uvoľnený (prasknutý) tlmiaci člen (pružina)	Poškodenú pružinu nahradiť

19. INFORMÁCIE O OPRAVÁRENSKEJ SLUŽBE

Záručné a mimozáručné opravy zabezpečuje výrobca alebo organizácie a opravárenské osoby, o ktorých informuje dodávateľ.

Upozornenie.

Výrobca si vyhradzuje právo vykonať na výrobku zmeny, ktoré však neovplyvnia podstatné vlastnosti prístroja.

ANNEX / ПРИЛОЖЕНИЕ / ZAŁĄCZNIK / PRÍLOHA**20. INSTALLATION RECORD**

1. Product: (model) DK50 B DK50 BS		2. Serial number:	
3.1. User's name:			
3.2. Address of installation:			
4. Equipment connected to the compressor:			
5. Installation / Commissioning:		6. Contents of operator training:	
Product completeness check **	Y	Description of the product and functions**	Y
	N		N
Documentation completeness check **	Y	Product operation: turning on/off, controls, control procedures, data on the display panel, alarms, operation in alarm conditions**	Y
	N		N
Installation/connection to equipment **	Y	Product maintenance: maintenance intervals, maintenance procedure, service intervals, operating activities**	Y
	N		N
Functional test **	Y	Safety measures, warnings – their meaning and compliance **	Y
	N		N
Notes:			
7. Operator instructed on safety measures, operations and maintenance:			
Name:		Signature:	
Name:		Signature:	
Name:		Signature:	
8. Installation and instruction performed by: First name/Last name		Signature:	
Company:		Address:	
Phone:			
Email:		Date:	
9. Distributor:			
Company:		Address:	
Contact person:			
Phone:		Email:	

** mark with an "X" in points 5 and 6 (Y - yes /N - no). Enter any observations from points 5 and 6 into the "Notes" section



20. ОТЧЕТ ОБ УСТАНОВКЕ

Изделие: (модель) DK50 B DK50 BS		2. Серийный номер:	
3.1. Имя пользователя:			
3.2. Адрес проведения установки:			
4. Оборудование, подсоединенное к компрессору			
5. Установка / ввод в эксплуатацию		6. Этапы подготовки оператора	
Проверка комплектации изделия**	Д	Описание изделия и его функций**	Д
	Н		Н
Проверка наличия документации**	Д	Эксплуатация изделия: включение и выключение, элементы управления, контрольные процедуры, отображение данных на дисплее, аварийные сигналы, эксплуатация в случае получения аварийных сигналов**	Д
	Н		Н
Установка / подсоединение к оборудованию**	Д	Техническое обслуживание: интервалы и процедуры технического обслуживания, служебные интервалы и эксплуатационные меры**	Д
	Н		Н
Функциональные испытания**	Д	Меры безопасности, предупреждения (их значение и соответствие им)**	Д
	Н		Н
Примечания			
7. Оператор проинструктирован по поводу мер безопасности, эксплуатации и технического обслуживания			
ФИО:		Подпись:	
ФИО:		Подпись:	
ФИО:		Подпись:	
8. Кем выполнены установка и инструктаж Имя / фамилия		Подпись:	
Компания:		Адрес:	
Телефон:			
Электронная почта:		Дата:	
9. Дистрибьютор			
Компания:		Адрес:	
Контактное лицо:			
Телефон:		Электронная почта:	

** Отметьте пп. 5 и 6 значком «X» («Да» или «Нет»). Внесите в раздел «Примечания» какие-либо замечания на основе данных пп. 5 и 6.



21. DOKUMENTACJA INSTALACJI

Product: (model) DK50 B DK50 BS M		2. Numer seryjny	
3.1. Instrukcja obsługi:			
3.2. Adres instalacji:			
4. Sprzęt podłączony do sprężarki:			
5. Instalacja / Uruchomienie urządzenia:		6. Spis treści szkolenia operatorów:	
Sprawdzenie kompletności produktu **	T	Opis produktu i funkcji**	T
	N		N
Sprawdzanie kompletności dokumentów **	T	Działanie produktu: włączanie/wyłączanie, sterowanie, procedury sterowania, dane na wyświetlaczu, alarmy, obsługa w warunkach alarmowych**.	T
	N		N
Instalacja/podłączenie sprzętu **	T	Konservacja produktu: przerwy między przeglądami, procedury konserwacji, okresy międzyprzeglądowe, działalności operacyjne**	T
	N		N
Test funkcjonalny **	T	Środki bezpieczeństwa, ostrzeżenia – ich znaczenie i zgodność **	T
	N		N
Uwagi::			
7. Operator został poinformowany o środkach bezpieczeństwa, działaniach i konserwacji:			
Imię i nazwisko:		Podpis:	
Imię i nazwisko:		Podpis:	
Imię i nazwisko:		Podpis:	
8. Instalacja i instruktaż przeprowadzone przez Imię/Nazwisko		Podpis:	
Firma:		Adres:	
Telefon:			
Email:		Data:	
9. Dystrybutor:			
Firma:		Adres:	
Osoba kontaktowa:			
Telefon:		Email: :	

** umieścić znak „X” w punktach 5 i 6 (T – tak /N – nie). Wszelkie uwagi z punktów 5 i 6 w rubryce „Uwagi”



20. ZÁZNAM O INŠTALÁCII

1. Výrobok: (typ) DK50 B DK50 BS		2. Výrobné číslo:	
3.1. Názov užívateľa:			
3.2. Adresa inštalácie:			
4. Zariadenia pripojené ku kompresoru:			
5. Inštalácia / Uvedenie do prevádzky:		6. Obsah zaučenia obsluhy:	
Kontrola úplnosti výrobku **	A	Popis výrobku a popis funkcie**	A
	N		N
Kontrola úplnosti dokumentácie **	A	Obsluha výrobku : zapnúť /vypnúť, ovládacie prvky, postupy ovládania, údaje na zobrazovacom paneli, alarmy, činnosť pri alarmoch**	A
	N		N
Inštalácia/pripojenie k zariadeniu **	A	Údržba výrobku : intervaly údržby, postup pri údržbe, servisné intervaly, činnosť obsluhy**	A
	N		N
Funkčná skúška **	A	Bezpečnostné opatrenia, upozornenia – ich význam a dodržiavanie **	A
	N		N
Poznámky:			
7. Obsluha poučená o bezpečnostných opatreniach, prevádzke a údržbe :			
Meno :		Podpis :	
Meno :		Podpis :	
Meno :		Podpis :	
8. Inštaláciu a poučenie vykonal: Meno/Priezvisko		Podpis:	
Firma:		Adresa:	
Telefón:			
E-mail :		Dátum:	
9. Distribútor:			
Firma:		Adresa:	
Kontaktná osoba :			
Telefón:		E-mail :	

** v bodoch 5 a 6 označiť "X" (A - áno /N - nie). Pozorovania k bodom 5 a 6 zapísať do časti „Poznámky“

DK50 B



EKOM spol. s r.o.,

Priemyselná 5031/18, 921 01 PIEŠŤANY, Slovak Republic



tel.: +421 33 7967255, fax: +421 33 7967223

e-mail: ekom@ekom.sk, www.ekom.sk

NP-DK50 B-A-1_02-2021

112000504-000

