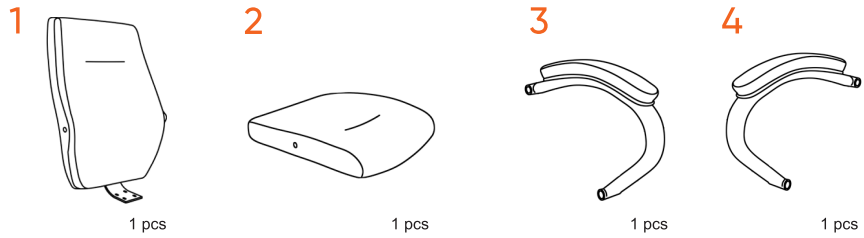




# Chairman 495

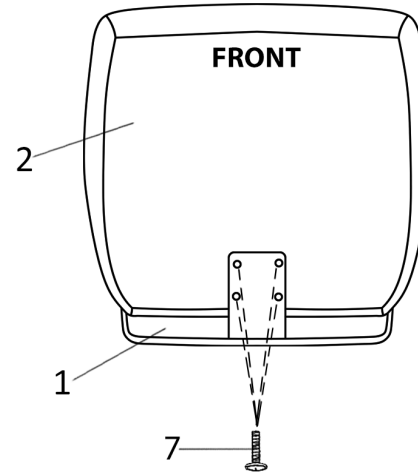
**RU** ИНСТРУКЦИЯ ПО СБОРКЕ  
**EN** ASSEMBLY INSTRUCTIONS  
**DE** AUFBAUANLEITUNG  
**FR** INSTRUCTIONS DE MONTAGE  
**IT** MANUALE D'USO  
**ES** INSTRUCCIONES DE MONTAJE  
**CS** NÁVOD K MONTÁŽI  
**KK** ЖИНАУ ЖӨНІНДЕГІ НҰСҚАУЛЫҚ



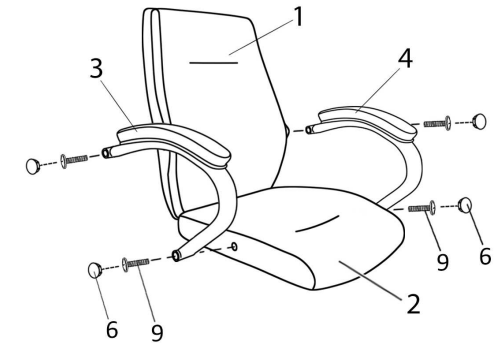
**STEP 1**

**STEP 2**

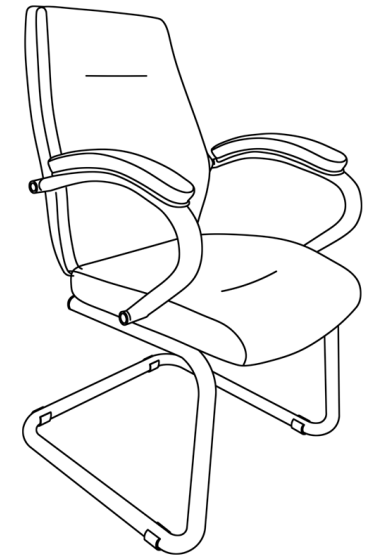
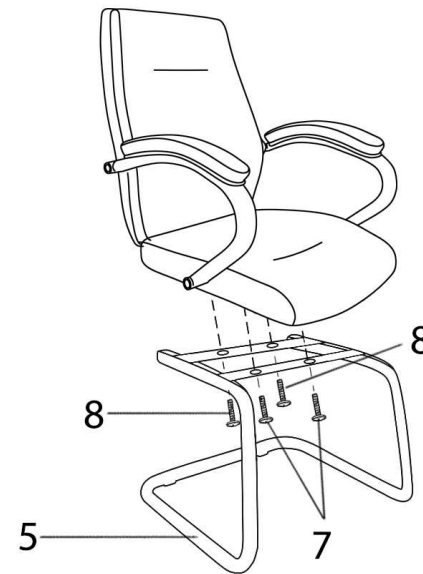
**1**

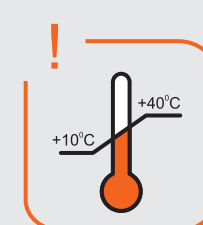


**2**



**3**





**CHAIRMAN**  
ПОМОГАЕТ РАБОТАТЬ

- [chairman.ru](http://chairman.ru)
- [info@chairman.ru](mailto:info@chairman.ru)
- [instagram.com/chairman\\_chairs](https://www.instagram.com/chairman_chairs)
- [vk.com/chairman\\_chairs](https://vk.com/chairman_chairs)
- [@chairs.chairman](https://www.facebook.com/@chairs.chairman)