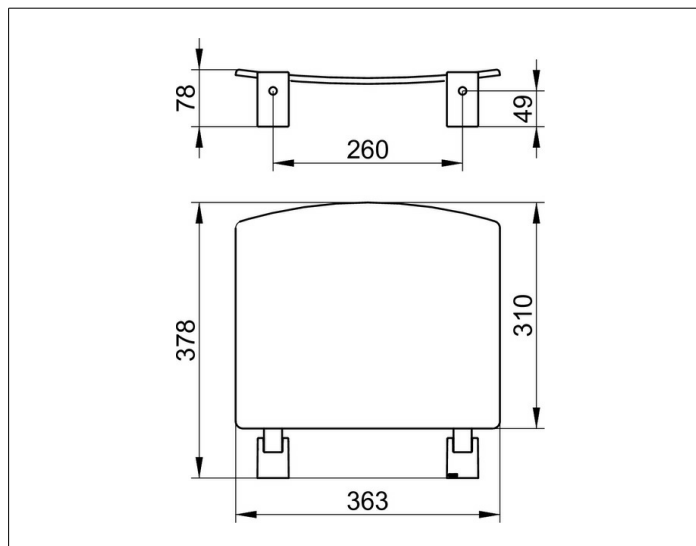


**Plan**

14980010038 Складное сиденье

**ИЗДЕЛИЕ****ЧЕРТЕЖ****ОПИСАНИЕ ИЗДЕЛИЯ**

для настенного монтажа сиденье откидывается вверх

**ПОВЕРХНОСТЬ**

хром/светло-серый (RAL 7035)

**СПЕЦИФИКАЦИИ**KEUCO PLAN Tip-up seat  
14980010038Light grey (RAL 7035) Fold-up seat  
made from Polypropylene

in esthetic, practical Design,

for wall mounting

for secure seating in the shower

Wall support and seat support

as Design Feature high shine chrome-plated

anti-static,

easy Cleaning

upward foldable seat

load capacity up to 110 kg

Width 363 mm,

seat area 310 mm

Distance between boreholes 260 mm,

Extendable 378 mm

The seat will be mounted on 2 discrete brackets

and is TUEV-GS tested

The Mounting material is to be ordered separately!

It is essential for installation to order the correct screws/bolts depending on  
type of wall,

please see below

1 x Mounting-Set 3 (Catalogue-no. 34992000100) or

1 x Mounting-Set 6 (Catalogue-no. 34992000200) or

1 x Mounting-Set 9 (Catalogue-no. 34995000200) or

1 x Mounting-Set 11 (Catalogue-no. 34997000100)