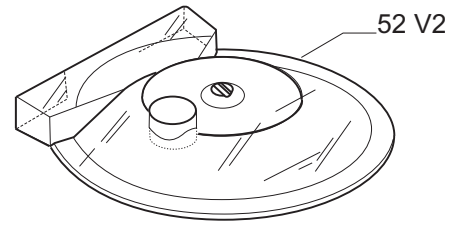
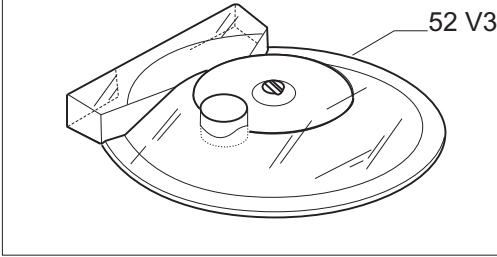
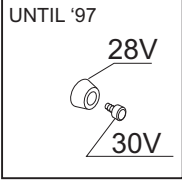
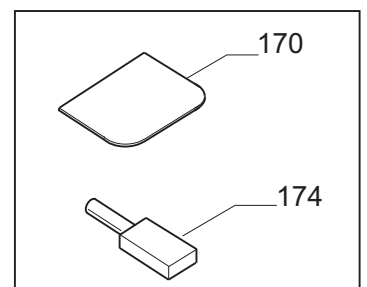
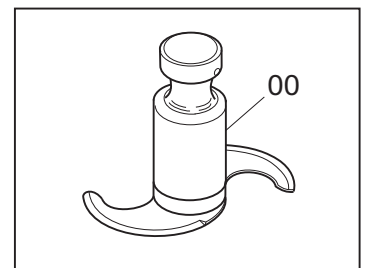
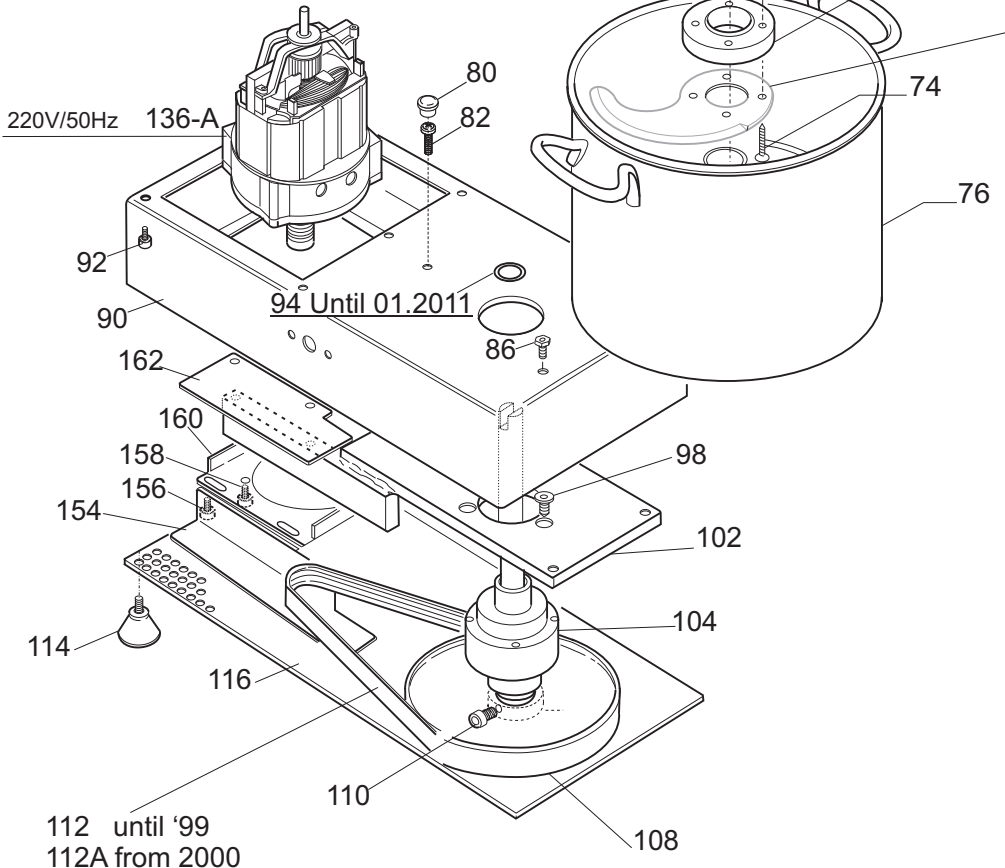
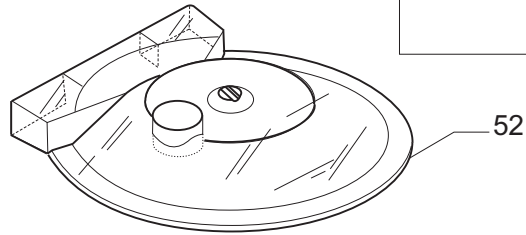
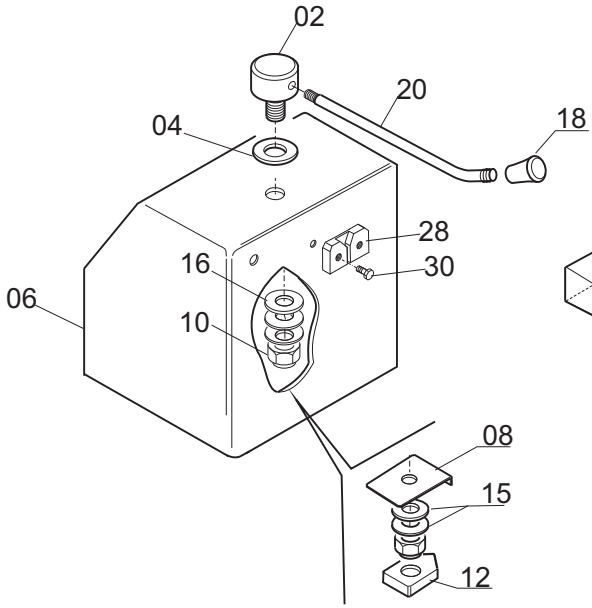
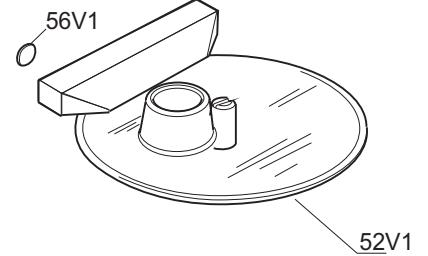


Fino al 08/2003 no guarnizione  
Until 08/2003 no gasket

Fino al 1999 con Magnete  
Until 1999 with Magnet

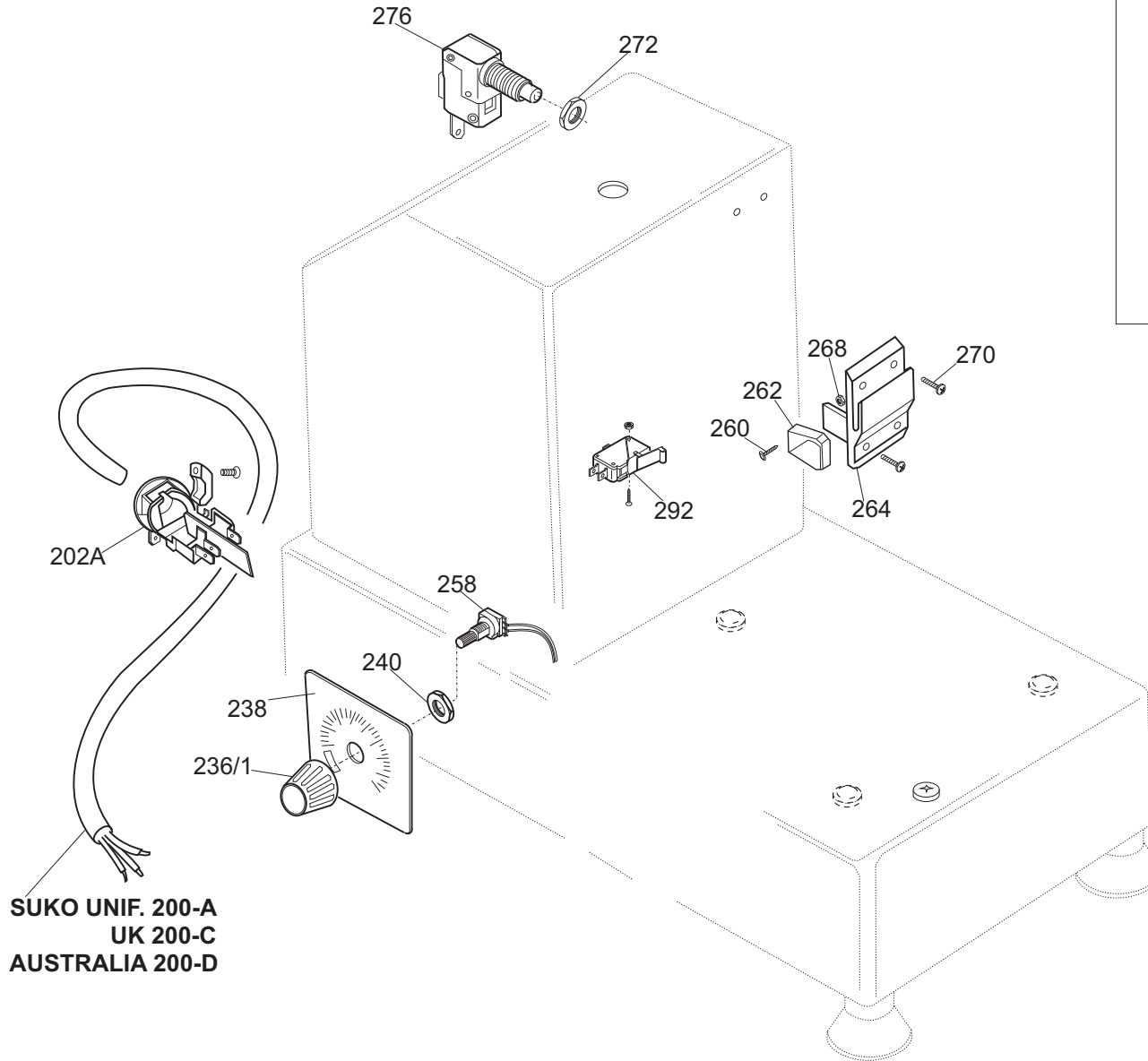
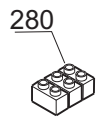
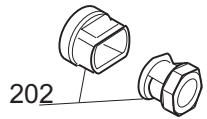
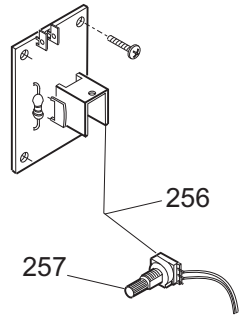
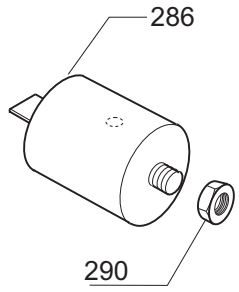


Fino al 1992  
Until 1992

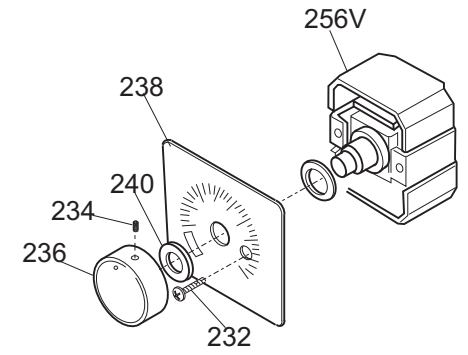


0	SHAFT W/REGULAR KNIVES FOR C6	MSC06AMON
2	Rod holder pin	MSC04N002
4	Clutch washer	MSC04N004
6	Frame head	MSC06N006
8	Clutch base	MSC04N008A
10	Clutch nut	MSC04N010
12	Microswitch cam	MSC04N012A
15	MOLLA A TAZZA 12,2X25X0,7	FE20930120250.7
18	ARM KNOB _ C4-C6	MSC04N018
20	Arm	MSC04N020
28	BOWL SLIDEWAY FOR C4-C6	MSC04N028
28V	BOWL SLIDEWAY UNTIL 1997 FOR C4-C6	MSC04N028V
30	VITE TSP- DIN 963 M 4X16	IX2963004016
52	LID W/GASKET FOR C4-C6 FROM '03	MSC04V052A
52V3	LID C4-C6 UNTIL 08/2003	MSC04N052
52V2	LID FOR C4-C6 UNTIL 1999	MSC04N052V2
52V1	FUORI PRODUZIONE-OUT OF PRODUCTION	00-OUT
54	LID PLUG _ C4-C6	MSC04N054
56V1	Magnet until 1992	MSC04N056V1
60	SHAFT ROD FOR C 4	MSC04N060
62	BLADE HOLDER _ C6-C6 VV	MSC06N062
62P	PORTA LAMA PER PESTO C6-C6VV	MSC06N062P
64V	UPPER KNIFE FOR PESTO C4-C6	MSC04N064V
64F	PUNCHED UPPER KNIFE C4-C6	MSC04N064F
64P	Upper knife for kneading	MSC04N064P
64Z	SERRATED UPPER KNIFE C4-C6	MSC04N064Z
64	UPPER KNIFE FOR C4-C6	MSC04N064
68P	DIST.COLTELLI PESTO C6-C6VV	MSC06N068P
68	KNIFE SPACER _ C6-C6 VV	MSC06N068
72F	PUNCHED BOTTOM KNIFE C4-C6	MSC04N072F
72Z	SERRATED LOWER KNIFE C4-C6	MSC04N072Z
72	LOWER KNIFE FOR C4-C6	MSC04N072
74	VITE PORTALAMA C6-C6VV	MSC06N074
76	BOWL FOR C6/C6 VV	MSC06N076
80	Gum until 1999	MSC04N080A
82	VITE TC+ DIN 7985 M5X12	IX27985005012
90	Frame body	MSC04N090
94	FUORI PRODUZIONE-OUT OF PRODUCTION	00-OUT
102A	Aluminum plate from 1999	MSC04N102A
104	ALUMINIUM SHAFT FOR C6	MSC06N104
108	SHAFT PULLEY _ C4-C6	MSC04N108
110	GRUB SCREW DIN 916 M 6X10 NE	NE0916006010
112	BELT C4-C6 630x6 UNTIL '99	MSC04N112
112A	BELT FOR C4-C6 FROM '99	MSC04N112A
114	FOOT M5 FOR SLICER/CUTTER	19560201
116	Bottom safety grate	MSC04N116
136B	MOTOR 110/60 _ C4-C6-C9	MSC04N136A
136A	MOTOR 230V 50Hz C4-C6-C9	MSC04N136
154	Bottom plate	MSC04N154
160	Motor holder	MSC04N160
162	FUORI PRODUZIONE-OUT OF PRODUCTION	00-OUT
170	BOWL SCRAPER, RED COLOUR	MSC04N200
173	UPPER BLADE GUARD RED _ C4-C6	MSC04N073
174	SHARPENING STONE, CUTTER	MSC04N174
175	BOTTOM BLADE GUARD RED _ C4-C6	MSC04N075

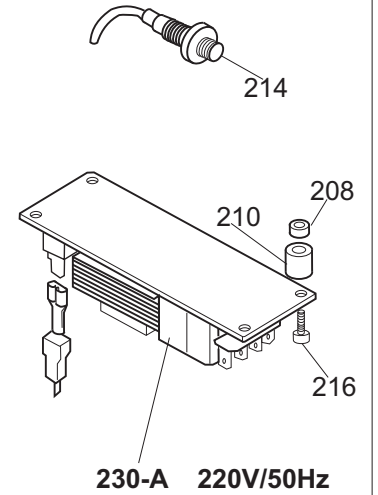
FINO AL '99 - UNTIL '99



FINO AL '95 - UNTIL '95

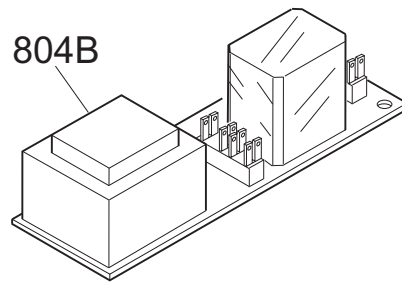
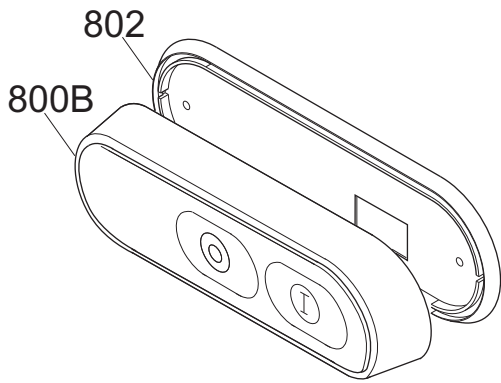


FINO AL '99 - UNTIL '99

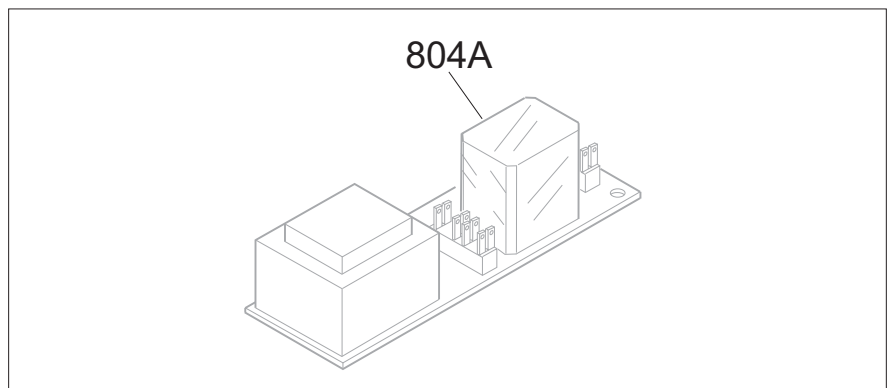
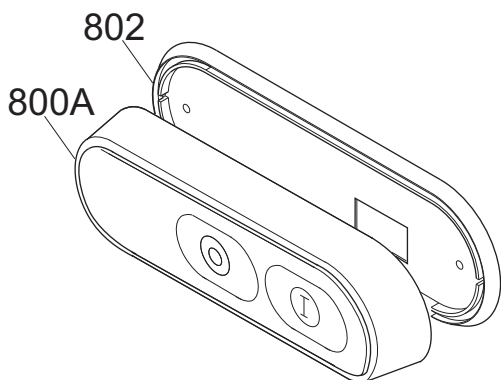


200D	AUSTRALIAN POWER CORD, 1PH	19410508
200C	CAVO ALIM.COMP. MN CINA 3X1 NEOPR	194105121
200B	UK POWER CORD SINGLE PHASE	19410504
200A	SUPPLY CORD SINGLE-PHASE "SHUKO"	19410502
202A	STRAIN RELIEF FROM 1999 _ C4-C6-C9	MSC04N202A
202	STRAIN RELIEF _ C4-C6-C9	MSC04N202
230A	FUORI PRODUZIONE-OUT OF PRODUCTION	00-OUT
236/1	SPEED CONTROL KNOB FOR C4-C6-C9VV	MSC04V236
236	SPEED CONTROL KNOB FOR C4-C6-C9VV	MSC04V236
238	SPEED CONTROL LABEL _ C4-C6-C9 VV	MSC04V238
256	FUORI PRODUZIONE-OUT OF PRODUCTION	00-OUT
257	FUORI PRODUZIONE-OUT OF PRODUCTION	00-OUT
258+240	POTENTIOMETER FROM 2000 C4-C6 VV	19414060N
260	VITE TC+ DIN 7985 M3X16	IX27985003016
262	MECHANICAL MICROSWITCH C4-C6	MSC04N262
264	MICROSWITCH HOLDER C4-C6	MSC04N264
268	DADO ES. DIN 439 M 3 BASSO	IX2439003
270	VITE TSP+ DIN 965 M 3X8	IX2965003008
276+272	MECHANICAL MICROSWITCH _ C4-C6-C9	MSC04N276
280	TERMINAL BOARD _ C4-C6-C9	MSC04N280
286	NOISE FILTER	MSC04N286
292	LEVER MICROSWITCH FOR CUTTER	MSC04N292

Da / From 12.2018



Fino a / Until 11.2018



**RIF. 804A FUORI PRODUZIONE**  
**ORDINARE RIF. 800B+804B**

**REF. 804A NO MORE AVAILABLE**  
**PLEASE ORDER REF. 800B+804B**

800A BN	SWITCH COVER WHITE	19702022
800B BN	CORPO PUL.BIANCA NEUTRA MONTATA Y18	19702022.18
800A BL	PUSH-BUTTON PANEL BLUE	19702021
800B BL	CORPO PUL.BLU NEUT.MONT.NO GUAR Y18	19702021.18
800A CM	CORPO PUL.CROMATA NEUTRA MONTATA	19702023
800B CM	CORPO PUL.CROMATA NEUTRA MONT. Y18	19702023.18
800B NR	CORPO PUL.NEUTRA MONT.NO GUARN.Y18	19702004.18
800A NR	PUSH BUTTON PANEL_ROUND	19702004
800A RS	CORPO PUL.ROSSA NEUTRA MONTATA	19702020
800B RS	CORPO PUL.ROSSA NEUTRA MONTATA Y18	19702020.18
802	GASKET FOR ROUND CONTROL PANEL	19563034
804B	PCB C4-C6 220MN Y18	19413007.18
804A	FUORI PRODUZIONE-OUT OF PRODUCTION	00-OUT