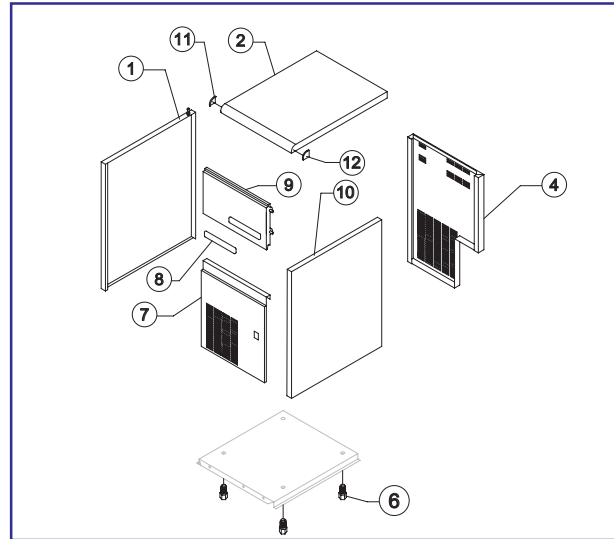


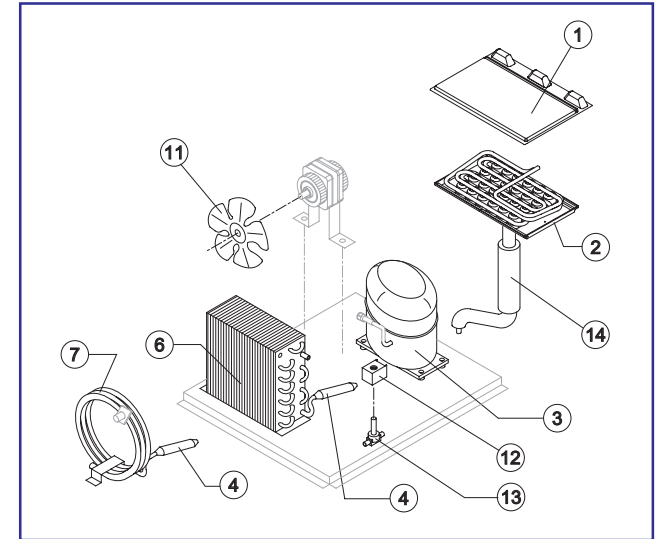


# LIST OF THE EXPLODED VIEWS

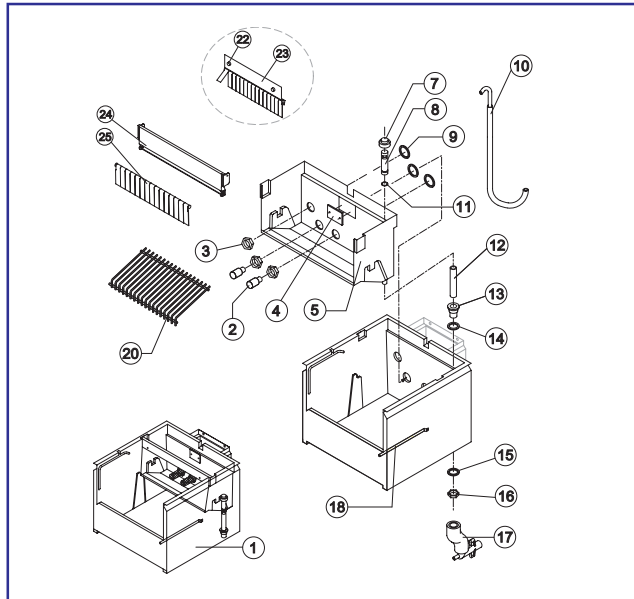
**SHELL ASSY**



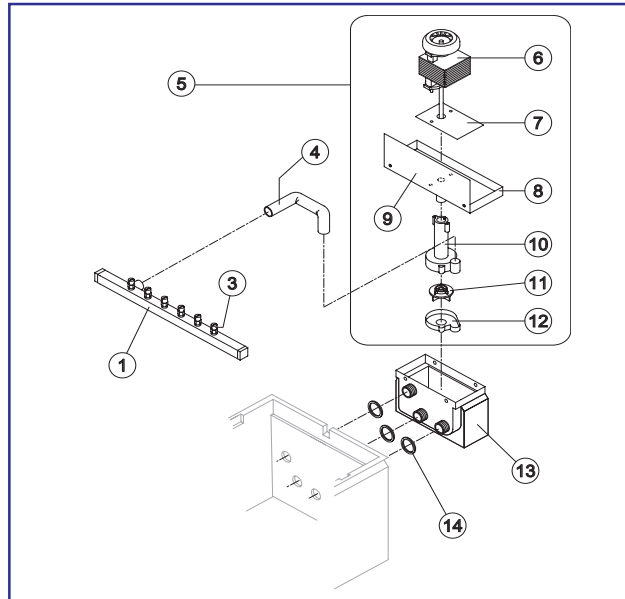
**COOLING SYSTEM**



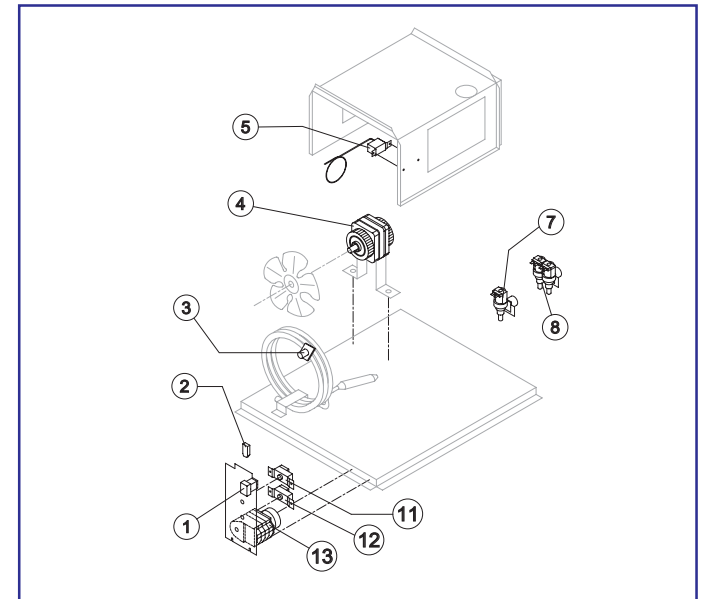
**HYDRAULIC CIRCUIT**

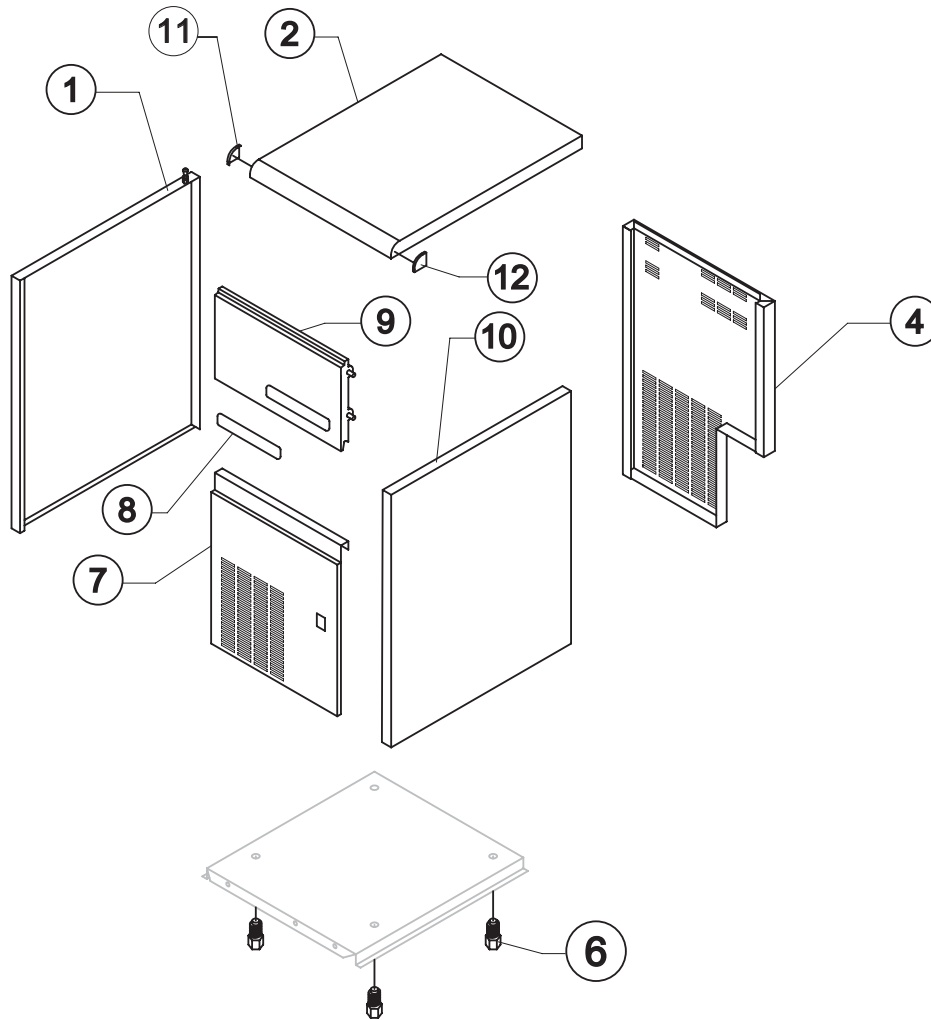


**SPRAYER PUMP**



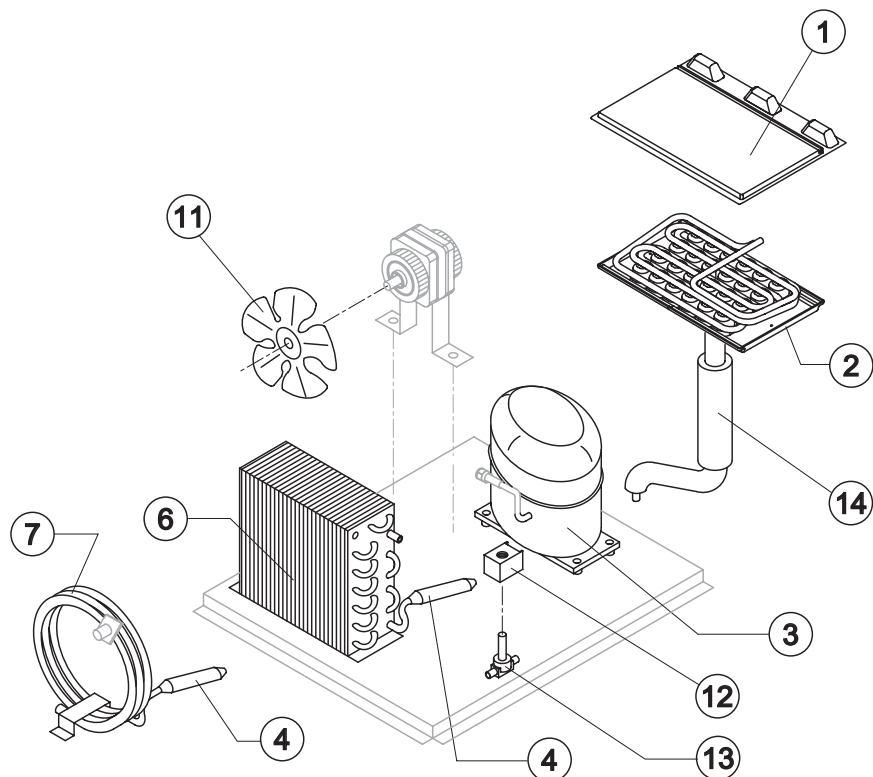
**ELECTRIC PARTS**





# SHELL ASSY

Ref.	Spare Description	Code
1	Left Side Panel Assembly	C22765
2	Top Assembly	C22769GR
4	Grey Rear Panel	21256
6	Foot	10017
7	Front Panel	22717
8	Resinate Logo	241330
9	Door Assembly	C10358
10	Right Side Panel Assembly	C22764
11	Left Top Protection	10323GR
12	Right Top Protection	10324GR



# COOLING SYSTEM

## Common Parts

Ref.	Spare Description	Code
1	Evaporator Cover Panel from s/n. 355679	10512
2	Evaporator Assy	See Table
3	Compressor	See Table
4*	Molecular Drier	14009
11	Suction Fan	See Table
12*	Hot Gas Valve Coil	See Table
13*	Hot Gas Valve Body	20410

## Parts for Air-Cooled Version Only

Ref.	Spare Description	Code
6	Air Condenser	20534

## Parts for Water-Cooled Version Only

Ref.	Spare Description	Code
7	Water Condenser	14057

### Ref. 2 - Evaporator

Kind of Cube	Code
17 g. (Standard)	D10045
32 g.	D10320
14 g.	D10416

### Ref. 3 - Compressor

Tension	Code
220/240V 50 Hz	23985
220/230V 60 Hz	23494A
110/115V 60 Hz	231212

### Ref. 11 - Suction Fan

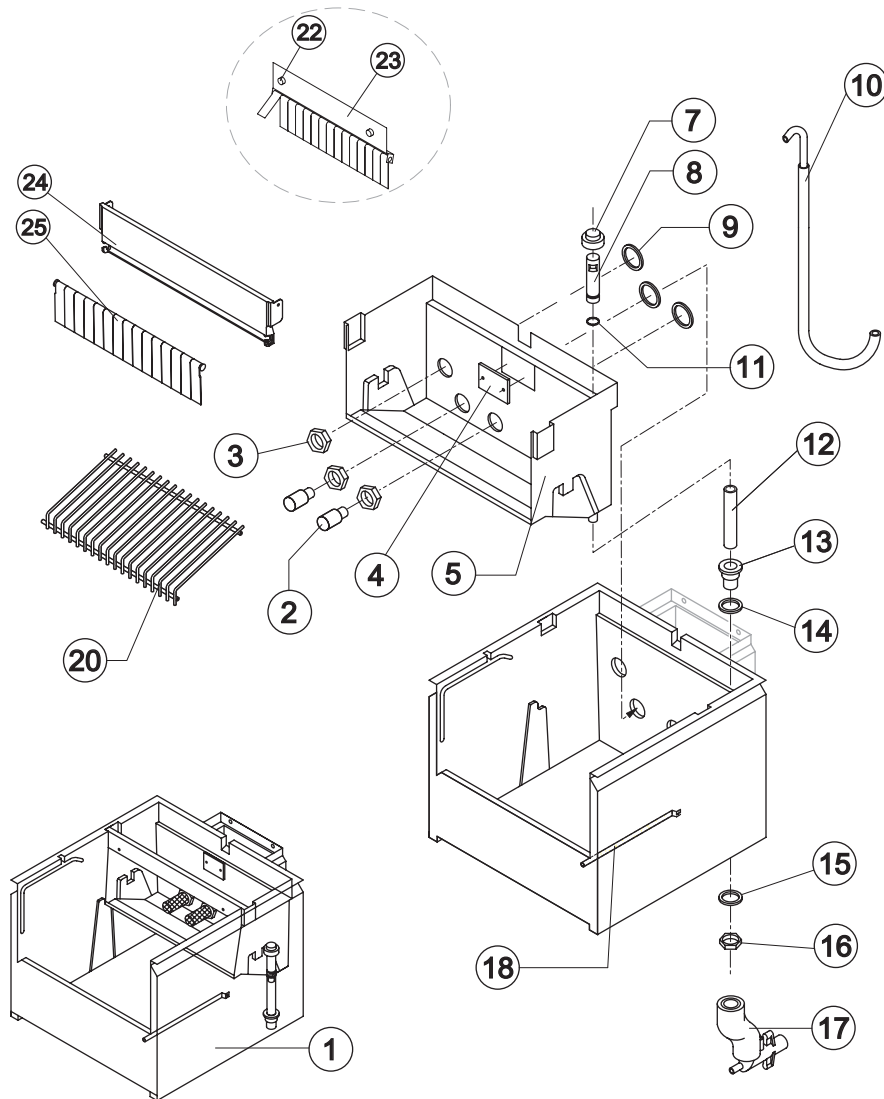
Tension	Air	Water
220/240V 50 Hz	20096	10213
220/230V 60 Hz	20095	10213
110/115V 60 Hz	20095	10213

### Ref. 12\* - Hot Gas Valve Coil

Tension	Code
220/240V 50 Hz	231294
220/230V 60 Hz	231294
110/115V 60 Hz	23256

# HYDRAULIC CIRCUIT

Rev. 10 - 12/03/2019



## Common Parts

Ref.	Spare Description	Code
1	Complete Basin Assembly	C28205
2*	Pump Suction Filter	20005
3	Nut for Basin Connections	10159
4	Slide Keep Plate	10009
5	Inner Basin	E10158
7*	Overflow Cap	10305
8*	Overflow Pipe	10133
9	Silicone Seal for Pump Basin	13069
10*	Water Supply Pipe to the Evaporator	C13128
11*	OR Gasket for Overflow Pipe	20233
12*	Overflow Pipe	13106
13	Water Outlet Nipple	10472
14	Silicone Gasket	13219
15	Semirigid Polyethylene Gasket	13007
16	Bin Discharge Nut	10096
18	Bulbe-holder Pipe	20520
20	Ice Cubes Slide	See Table
22	Special Screw Inox	Till s/n. 379477 20009
23	Panel with Flags	Till s/n. 379477 K10533
24	Flags ABS Support	Current Version 10529
25	Rod with Flags	Current Version 10533

## Parts for Air-Cooled Version Only

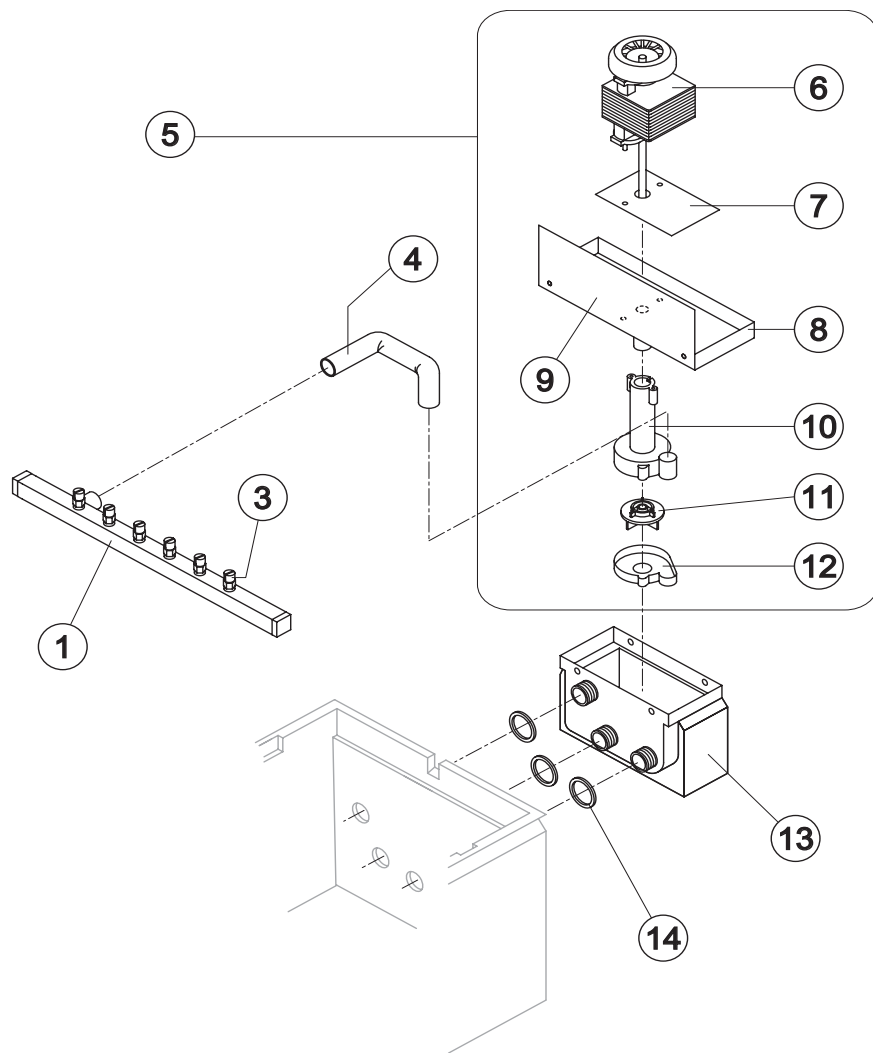
Ref.	Spare Description	Code
17	Discharges Manifold	C10366

## Parts for Water-Cooled Version Only

Ref.	Spare Description	Code
17	Discharges Manifold	C10367

## Ref. 20 - Ice Cubes Slide

Kind of Cube	Code
17 g. (Standard)	D12001
32 g.	D12066
14 g.	D12046



# SPRAYER PUMP

Ref.	Spare Description	Code
1*	Sprayers Bar Assembly	See Table
3	Sprayer	D20002
4	Pump Delivery Pipe	13068
5*	Pump Assembly	See Table
6	Pump Motor	See Table
7	Heat Dissipator	22430
8	Pump Motor Holder	10161
9	Basin/pump fender case	22763
10	Pump Body	10065
11	Pump Impeller	10066
12	Diffusor	10067
13	Insulated Pump Basin	C11048
14	Silicone Seal for Pump Basin	13069

## Ref. 1\* - Sprayers Bar Assembly

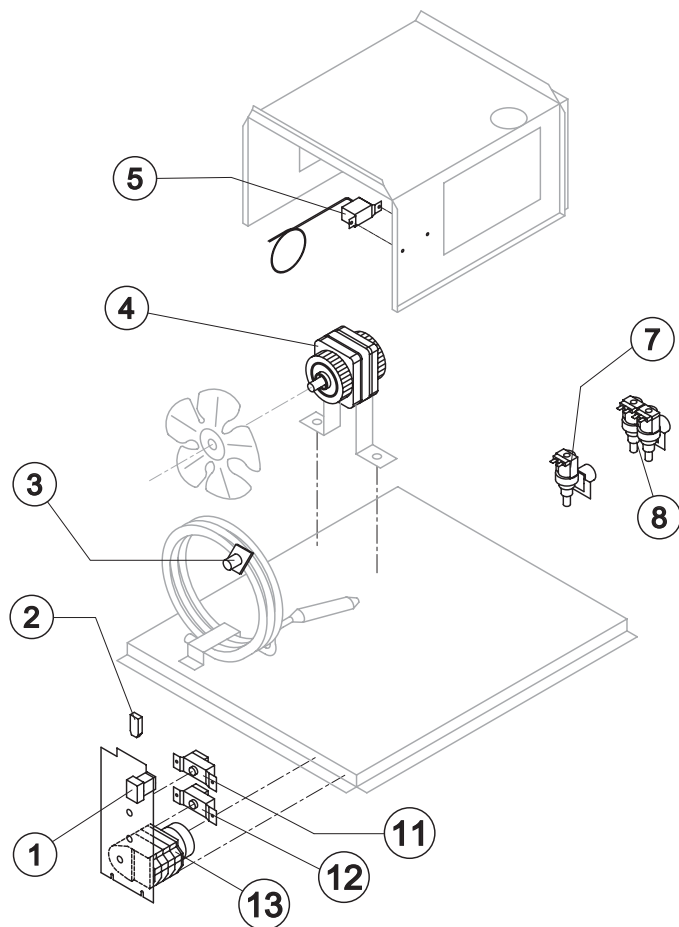
Kind of Cube	Code
17 g. (Standard)	C20572
32 g.	C20581
14 g.	C20570

## Ref. 5\* - Pump Assembly

Tension	Code
220/240V 50 Hz	RC23254
220/230V 60 Hz	C23416
110/115V 60 Hz	C23417

## Ref. 6 - Pump Motor

Tension	Code
220/240V 50 Hz	R23073
220/230V 60 Hz	23187
110/115V 60 Hz	23188



# ELECTRIC PARTS

## Common Parts

Ref.	Spare Description	Code
1*	Green Light Switch (On-Off)	23327
4*	Fan Motor	See Table
11*	Bin Thermostat	R23005
12*	Evaporator Thermostat	R23591
13*	Timer	See Table

## Parts for Air-Cooled Version Only

Ref.	Spare Description	Code
7*	1 Way- Water Inlet Valve	See Table

## Parts for Water-Cooled Version Only

Ref.	Spare Description	Code
2	Anti Radio Interference Filter	Only 220V 50 Hz C23458
3*	Safety Thermostat	C23114
5*	Condenser Pressure Switch	23175
8*	2 Ways- Water Inlet Valve	See Table

### Ref. 4\* - Fan Motor

Tension	Code
220/240V 50 Hz	231041
220/230V 60 Hz	231041
110/115V 60 Hz	23683

### Ref. 7\* - 1 Way- Water Inlet Valve

Tension	Code
220/240V 50 Hz	23497
220/230V 60 Hz	23497
110/115V 60 Hz	23499

### Ref. 8\* - 2 Ways-Water Inlet Valve

Tension	Code
220/240V 50 Hz	23542
220/230V 60 Hz	23542
110/115V 60 Hz	23592

### Ref. 13\* - Timer

Tension	17g Cube	32g Cube	14g Cube
220/240V 50 Hz	23222	23248	23247
220/230V 60 Hz	231078	231080	231077
110/115V 60 Hz	23259	23786	23258