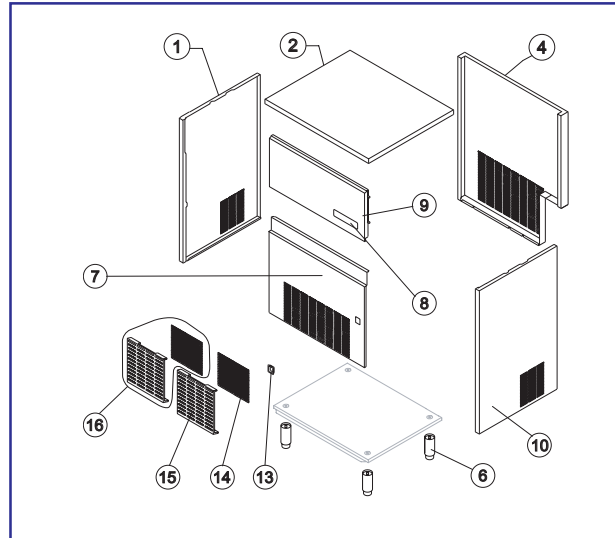


## LIST OF THE EXPLODED VIEWS

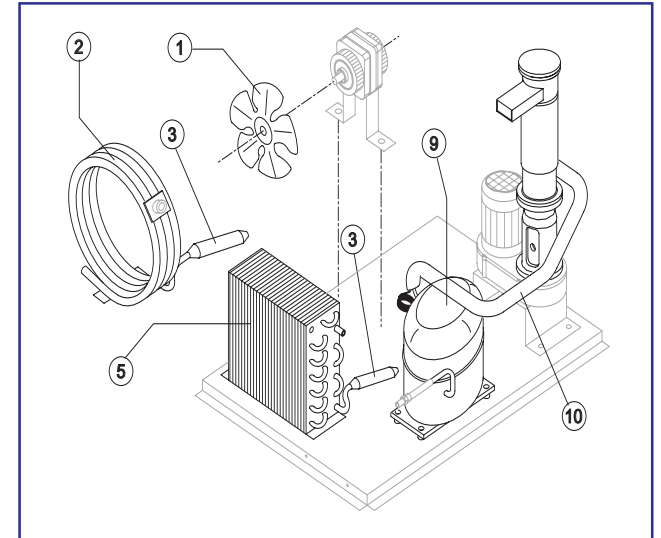
Rev. 16 - 12/03/2019



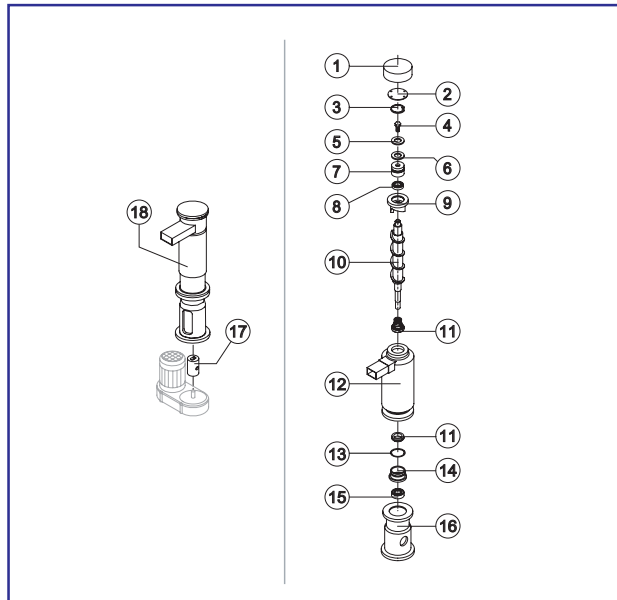
**SHELL ASSY**



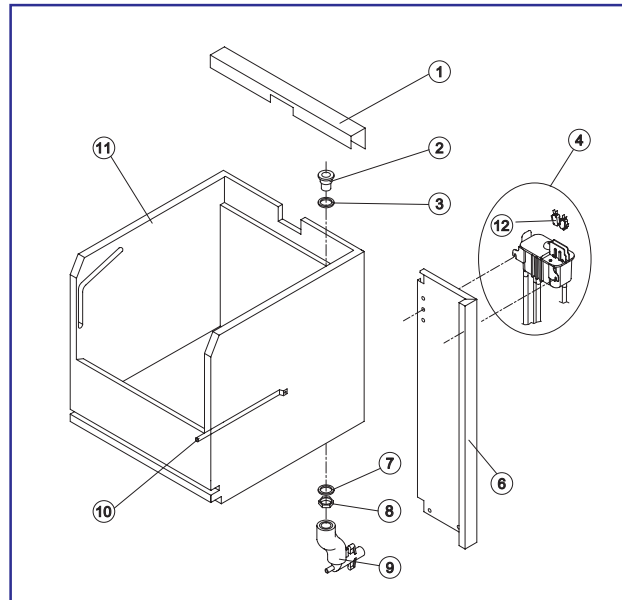
**COOLING SYSTEM**



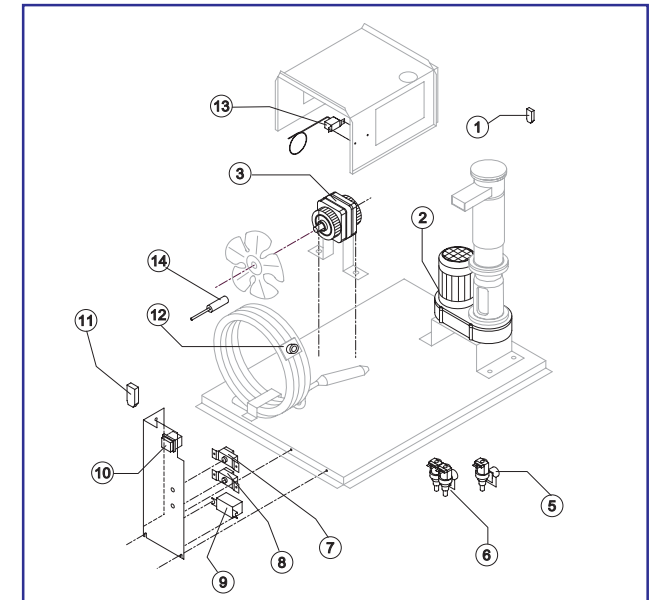
**EVAPORATOR**



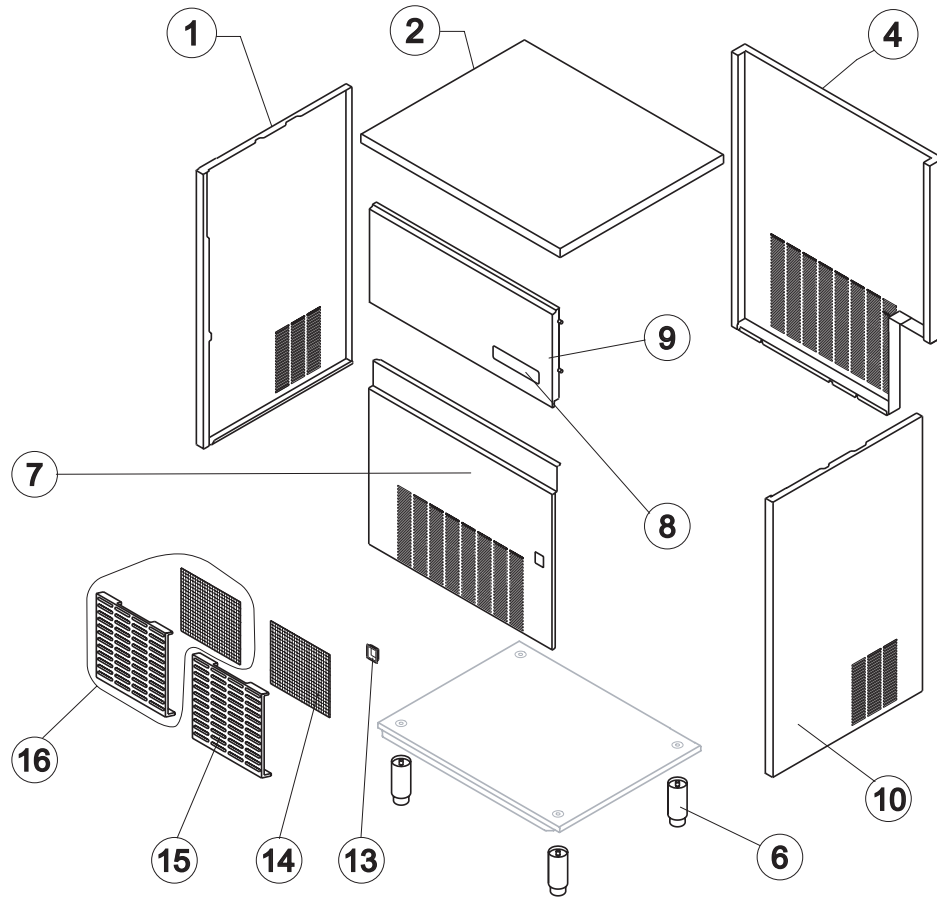
**HYDRAULIC CIRCUIT**



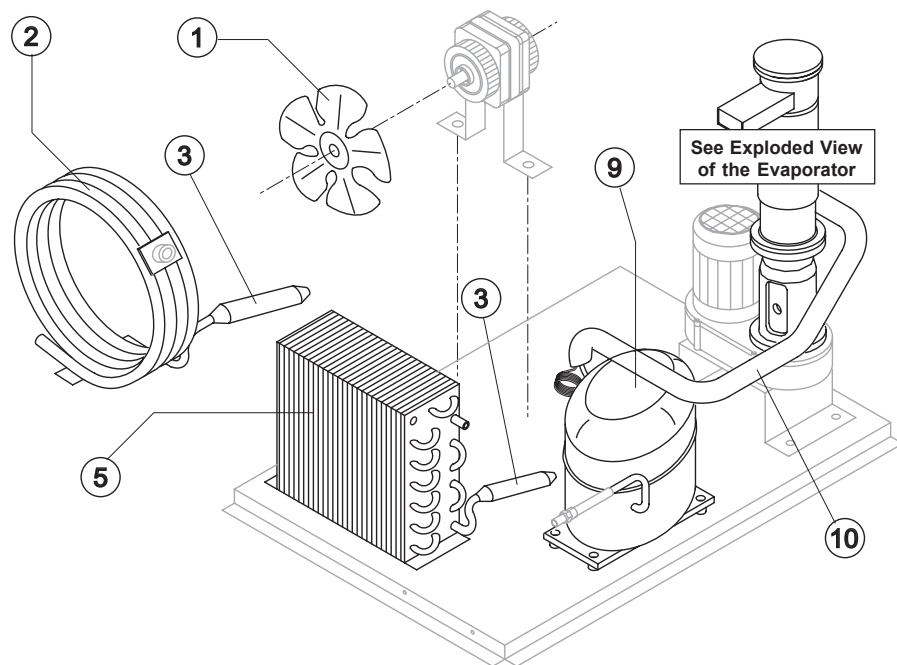
**ELECTRIC PARTS**



# SHELL ASSY



Ref.	Spare Description	Code
1	Left SidePanel Assembly	C22877
2	Top	C221492
4	Grey Rear Panel	21300
6	Foot Adjustable	20613
7	Front Panel	C221487
8	Resinate Logo	241330
9	Door Assembly	C10362
10	Right Side Panel Assembly	C22876
13	On-Off switch Frame	10696
14	Filter	18243
15	Grid	10697
16	Grid Assembly	C10697



# COOLING SYSTEM

## Common Parts

Ref.	Spare Description	Code
3*	Molecular Drier	14009
9	Compressor	See Table
10	Suctin Line	for the spare parts code give us the s/n.

## Parts for Air-Cooled Version Only

Ref.	Spare Description	Code
1	Sucking Fan	20031
5	Air Condenser	Current Version 20558
5	Air Condenser	Till s/n. 349945 20175

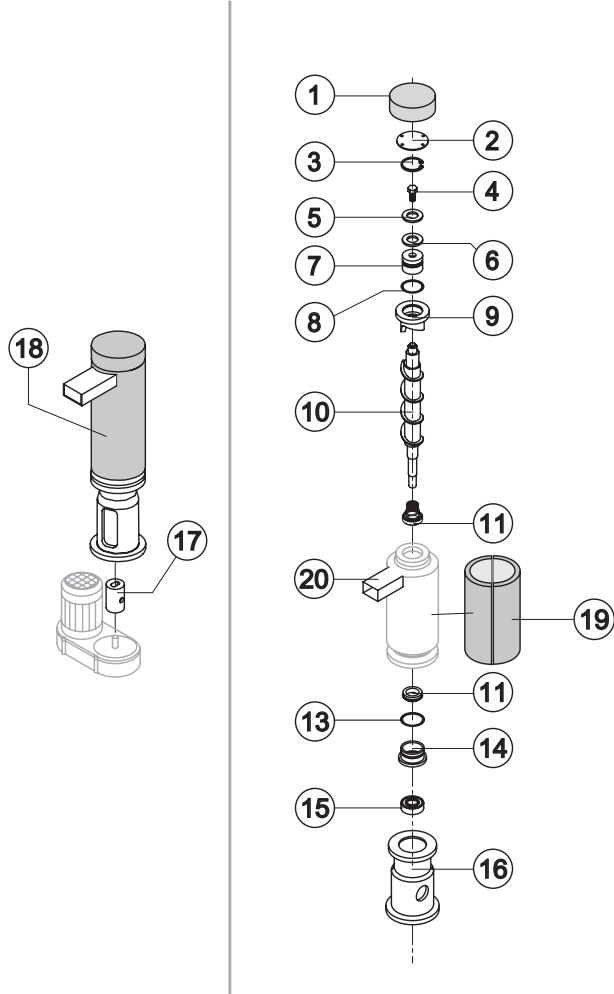
## Parts for Water-Cooled Version Only

Ref.	Spare Description	Code
1	Sucking Fan	10213
2	Water Condenser	14014

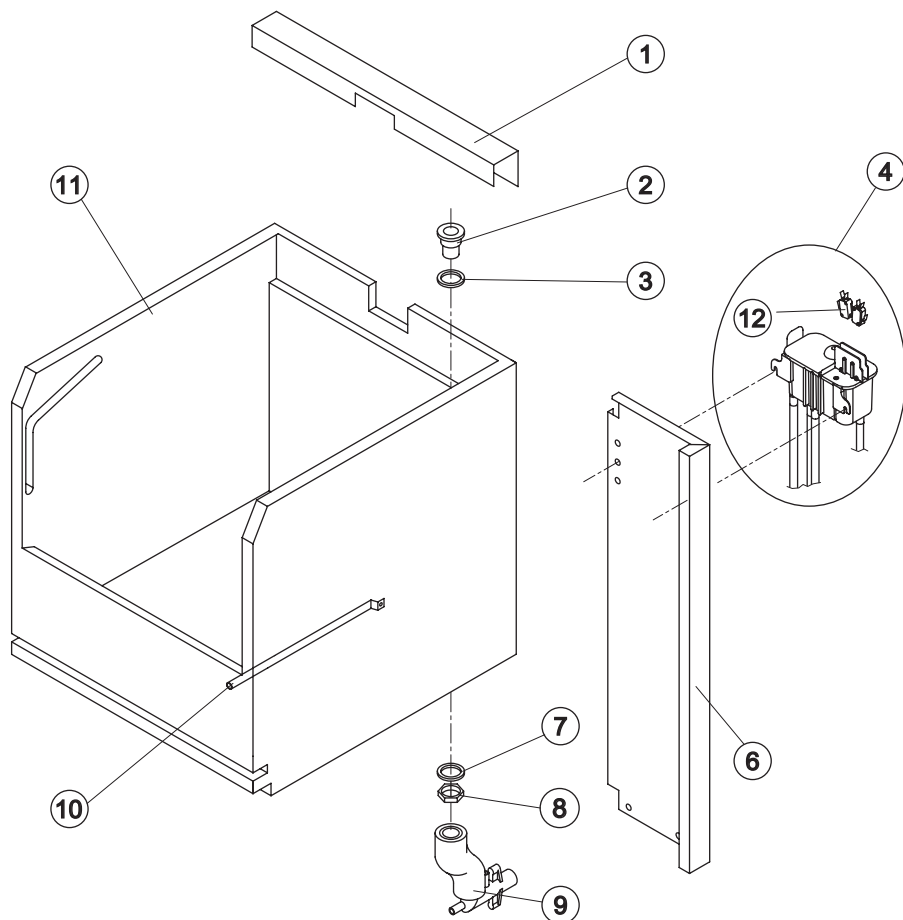
## Ref. 9 - Compressor

Tension	Code
220/240V 50 Hz	23832
220/230V 60 Hz	231308
115V 60 Hz	231255

# EVAPORATOR



Ref.	Spare Description (from s/n. 223593)	Code
1	Insulating Top Panel	18170
2	Closing Disk	22825
3	Seeger	20043
4	Stainless Steel Screw	20663
5	Shimming Disk	22826
6	Self-Lubricating Disk	20631
7	Stainless Steel Thrust Bearing	20686
8	OR Gasket 3087	20688
9	Ice Breaker	201236
10	Auger	20783
11	Ceramic Seal	20937
13	OR Gasket 3162 NBR70	20429
14	Reduction Ring	20785
15	Stainless Steel Bearing	20782
16	Flange	20629
17	Joint	D20784
18	Evaporator Assy	C11140
19	Insulating Cap	Current Version 18267
19	Insulating Cap	Till s/n. 829709 18171
20	ABS Ice exhaust assembly	From s/n. 830197 C10781



# HYDRAULIC CIRCUIT

## Common Parts

Ref.	Spare Description	Code
1	Cover for Ice Exhaust	22774
2	Water Outlet Nipple	10472
3	Silicone Gasket	13219
4*	Double Switch Basin Assembly	C10683
6	Basin Support	21301
7	Semirigid Polyethylene Gasket	13007
8	Bin Discharge Nut	10096
10	Bulb- holder Pipe	20522
11	Insulated Bin Assembly	C11129
12	Microswitch	23055

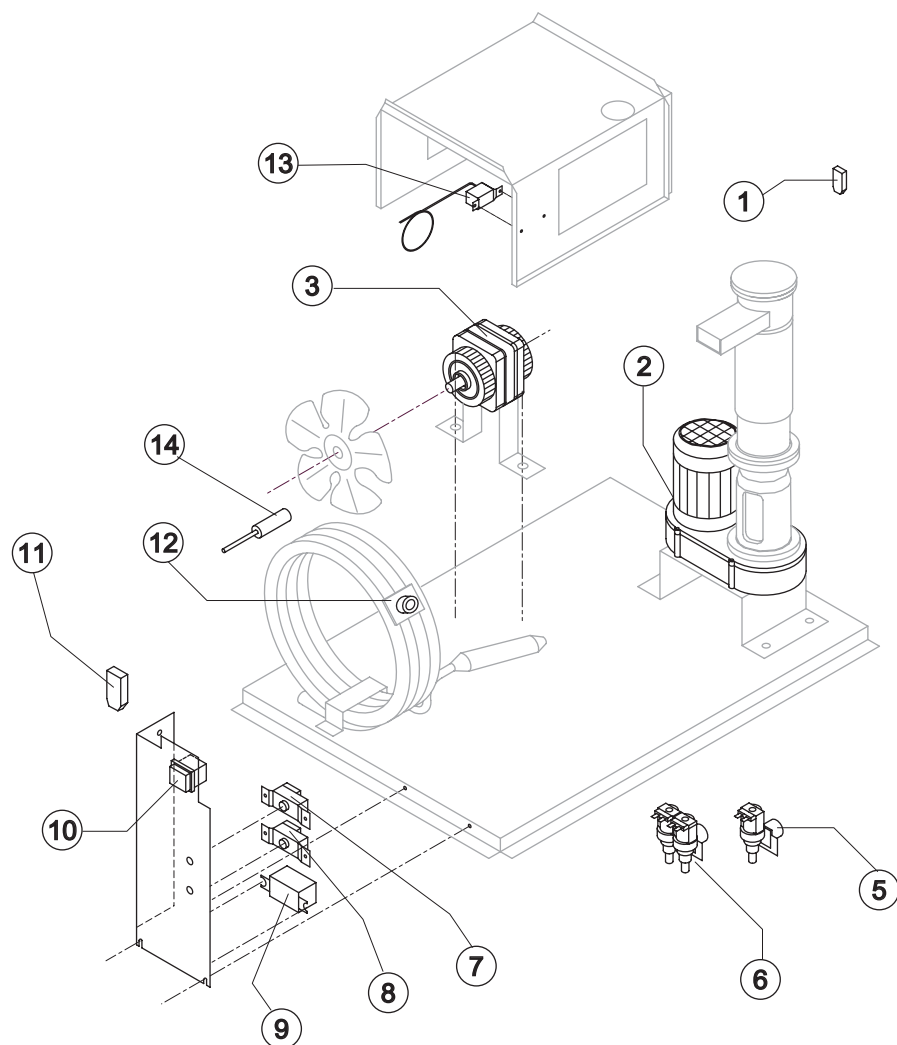
## Parts for Air-Cooled Version Only

Ref.	Spare Description	Code
9	Discharges Manifold	C10366

## Parts for Water-Cooled Version Only

Ref.	Spare Description	Code
9	Discharges Manifold	C10367

# ELECTRIC PARTS



## Common Parts

Ref.	Spare Description	Code
1	Anti Radio Interference Filter 220/240V 50 Hz	C23457
2	Gearmotor	See Table
3*	Fan Motor	See Table
7*	Bin Thermostat	23005
8*	Evaporator Thermostat Till s/n. 613004	23034
9*	Relay	See Table
10*	Green Light Switch (On-Off)	23327
11	Anti Radio Interference Filter 220/240V 50 Hz	C23459
13*	Condenser Pressure Switch	23175
14	Low pressure safety switch From s/n. 613005	23909

## Parts for Air-Cooled Version Only

Ref.	Spare Description	Code
4	Stirrup h.88	23427
5*	1 Way - Water Inlet Valve	See Table

## Parts for Water-Cooled Version Only

Ref.	Spare Description	Code
4	Stirrup h.72	23124
6*	2 Ways - Water Inlet Valve	See Table
12*	Safety Thermostat	C23114

### Ref. 2 - Gearmotor

Tension	Current Version
220/240V 50 Hz	231030
220/230V 60 Hz	231030
115V 60 Hz	231056

### Ref. 3\* - Fan Motor

Tension	Air	Water
220/240V 50 Hz	23067	23029
220/230V 60 Hz	23681	23029
115V 60 Hz	23621	-

### Ref. 5\* - 1 Wa-Water Inlet Valve

Tension	Code
220/240V 50 Hz	23115
220/230V 60 Hz	23115
115V 60 Hz	23410

### Ref. 6\* - 2 Ways- Water Inlet Valve

Tension	Code
220/240V 50 Hz	23010
220/230V 60 Hz	23010
115V 60 Hz	-

### Ref. 9\* - Relay

Tension	Current Version	Till s/n.699275
220/240V 50 Hz	23190	23190
220/230V 60 Hz	23190	23190
115V 60 Hz	231099	23557

### Ref. 13\* - Condenser Pressure switch

Tension	Code
220/240V 50 Hz	23175
220/230V 60 Hz	23175
115V 60 Hz	23680