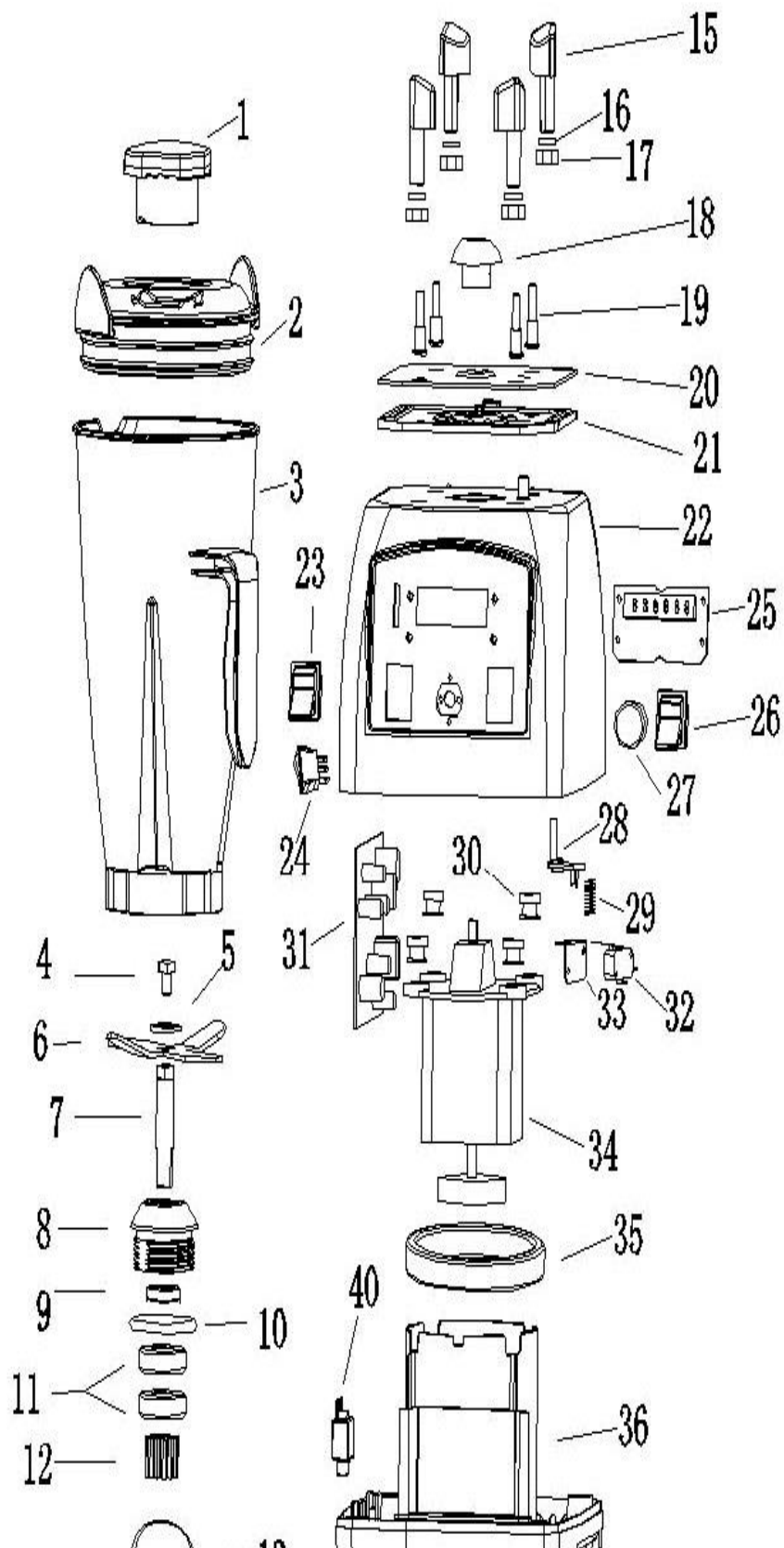
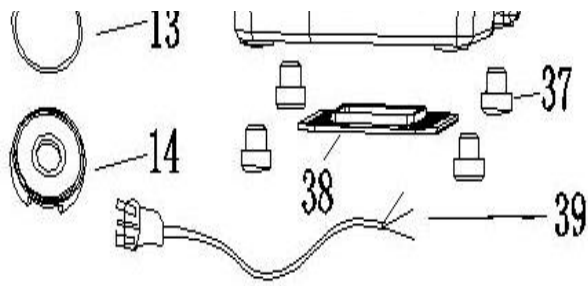


БЛЕНДЕР В-020





| № п/п | Наименование | Кол-во |
|-------|-----------------------------------------------|--------|
| 1 | Small cover | 1 |
| 2 | Big cover | 1 |
| 3 | Plastic jug | 1 |
| 4 | Screw - stainless steel | 1 |
| 5 | Meson - stainless steel | 1 |
| 6 | Bit - stainless steel | 1 |
| 7 | Revolution axis - stainless steel | 1 |
| 8 | Bearing wrap - stainless steel | 1 |
| 9 | Guards against the hydrogel - silica gel | 1 |
| 10 | Guards against the hydrogel - Fluorine rubber | 1 |
| 11 | Bearing | 2 |
| 12 | Spline - stainless steel | 1 |
| 13 | Jug sealing | 1 |
| 14 | Nut - s/s | 1 |
| 15 | Positioning pin - aluminum | 4 |
| 16 | Meson | 4 |
| 17 | Nut | 4 |
| 18 | Clutch | 1 |
| 19 | Motor positioning screw | 4 |
| 20 | Pad - s/s | 1 |
| 21 | Rubber pad | 1 |
| 22 | Top cover - ABS | 1 |
| 23 | On/Off switch | 1 |
| 24 | Power switch | 1 |
| 25 | LCD screen | 1 |
| 26 | Pulse switch | 1 |
| 27 | Speed knob | 1 |
| 28 | Safety switch transmitter | 1 |
| 29 | Spring | 1 |
| 30 | Shock proof ring | 4 |
| 31 | Circuit board | 1 |
| 32 | Safety switch | 1 |
| 33 | Safety switch fitting | 1 |

| | | |
|----|-----------------------|---|
| 34 | Motor | 1 |
| 35 | Cotton | 1 |
| 36 | Foundation | 1 |
| 37 | Anti-slip rubber feet | 4 |
| 38 | Air outlet panel | 1 |
| 39 | Power cable&plug | 1 |
| 40 | Fuse | 1 |