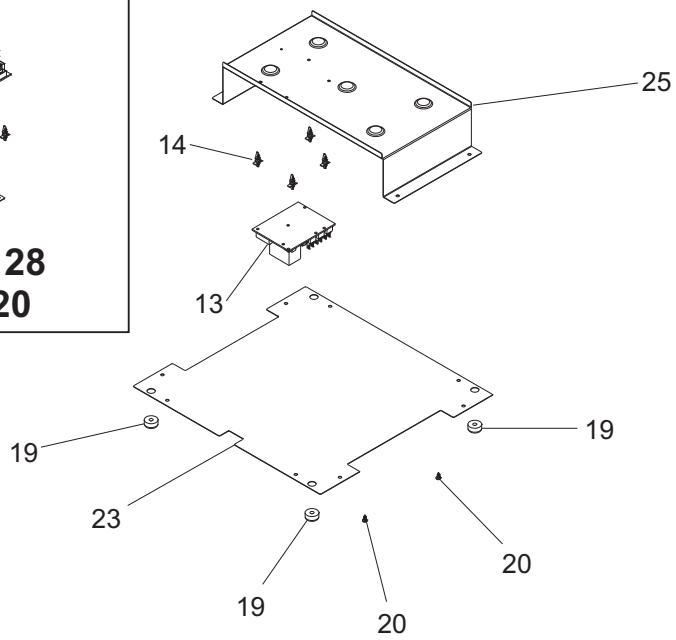


Fino al / Until 09.2015

**Per/For Ref. 28
order Ref. 20**



| | | |
|-------|-------------------------------------|-----------------|
| 1 | COPERCHIO TEGLIA INOX 2/3 | GM9869170 |
| 2 | PROTEGGI PRODOTTO SOFT-S 2/3 | GM2483500 |
| 3 | VASCA SOFTCOOKER 2/3 LAVORATA | GM9889120 |
| 4 | ANGOLARE VASCA | GM2483290 |
| 5 | FLAT WASHER DIN 125 D 6 | IX2125006 |
| 6 | HEX.NUT DIN 934 M 6 | IX2934006 |
| 7 | MANIGLIA VASCA SOFT COOKER | GM2486095 |
| 8 | ASSIEME INVOLUCRO SOFTCOOKER 2/3 S | GM2486480 |
| 9 | HEX.NUT DIN 934 M 4 | IX2934004 |
| 10 | CONTROL BOARD + CORD SOFTCOOKER | GM5946350 |
| 11 | SPACER DCK R 52100 _ SOFTCOOKER Y09 | GM4696275 |
| 12 GR | FACEPLATE - SOFTCOOKER Y09 | GM8156700 |
| 12 RS | FRONT LABEL RED FOR SOFTCOOKER 09 | GM8156750 |
| 13 | PCB SOFTCOOKER S | GM5946330 |
| 14 | SPACER CF06H4080 MM 08 _SOFTCOOKER | GM4696300 |
| 16 | BOTTOM HEATING ELEMENT 220V _ CORT | IGS103033 |
| 17 | INSULATING PANEL 110 ZK CORT | IGS119053 |
| 18 | MOLLA SUPPORTO SOFT COOKER STATICO | GM3085150 |
| 19 | PIEDINO GOMMA | GM4356000 |
| 20 | VITE AUTOF.TC+ DIN 7981 D 3,5X9,5 | IX279813.5009.5 |
| 21 | PRESSACAVO E DADO PG 11 | GM5893040 |
| 22 | WIRING SOFTCOOKER SR | GM5556480 |
| 23 | FONDO SOFT-S 2/3 | GM2483095 |
| 24 | PIASTRA SUPP.RESISTENZA SOFTC 2/3SR | GM2486895 |
| 25 | OMEGA SUPP.RESISTENZA SOFTC.2/3 S | GM2483285 |
| 26 | CABLE SOFTCOOKER S | GM5506025 |
| 26 CN | CAVO STERILIZZATORE SPINA CINESE | GM5506815 |
| 27 | PROBE - SOFT COOKER S | GM5826175 |
| 33 | ISOLANTE CORNICE VASCA 2/3 | GM6206560 |