



BOSSINI
HIGH QUALITY SHOWER SYSTEMS

design Marcello Ziliani

SCHEMA TECNICA - TECHNICAL SHEET

30/04/2021

Rev: 0

Codice - Code:

D48086

Set flat brass slide rail 110cm with handshower APICE Ø140

Descrizione - Description:

Set asta murale FLAT in ottone 110 cm. Supporti a muro regolabili (interasse massimo 100 cm). Supporto a muro inferiore con presa acqua incorporata. Doccia APICE Ø140 mm. Flessibile Cromolux 150 cm.

Flat brass slide rail 110 cm. Adjustable brackets (maximum fixation distance 100 cm). Lower bracket with built-in water outlet. APICE handshower Ø140 mm. Cromolux flexible hose 150 cm.

Set FLAT Brausestange aus Messing 110 cm. Verstellbare Wandhalter (max. Achsabstand 100 cm). Unterer Wandhalter mit integriertem Wasseranschluss. APICE Handbrause Ø140 mm. CROMOLUX Brauseschlauch 150 cm.

Set barre douche murale FLAT en laiton 110 cm. Supports à mur réglables (entraxe max. 100 cm). Support à mur inférieur avec prise d'eau intégrée. Douchette APICE Ø140 mm. Flexible CROMOLUX 150 cm.

Barra deslizante FLAT en latón 110 cm. Soporte murales regulables (distancia máxima de fijación 100 cm). Soporte inferior con toma de agua incorporada. Mango ducha APICE Ø140 mm. Flexible Cromolux 150 cm.

Комплект: душевая штанга FLAT из латуни 110 см. Регулируемые настенные опоры (максимальное межосевое расстояние 100 см). Нижняя стендовая опора со встроенным подводом воды. Душ APICE Ø140 мм. Шланг Cromolux 150 см.

Tecnologia - Technology:



Immagine Prodotto - Product Image



Disegni - Drawings

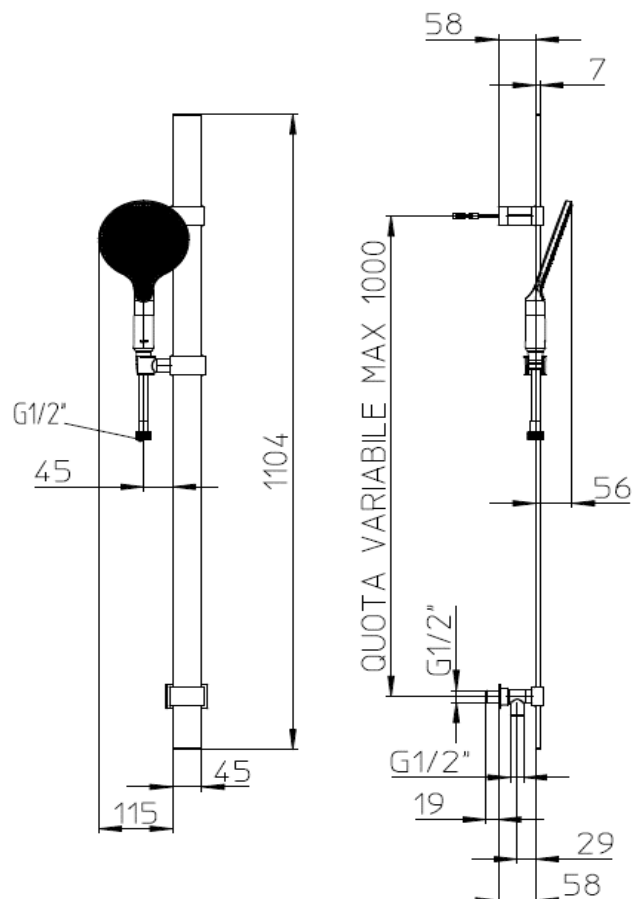
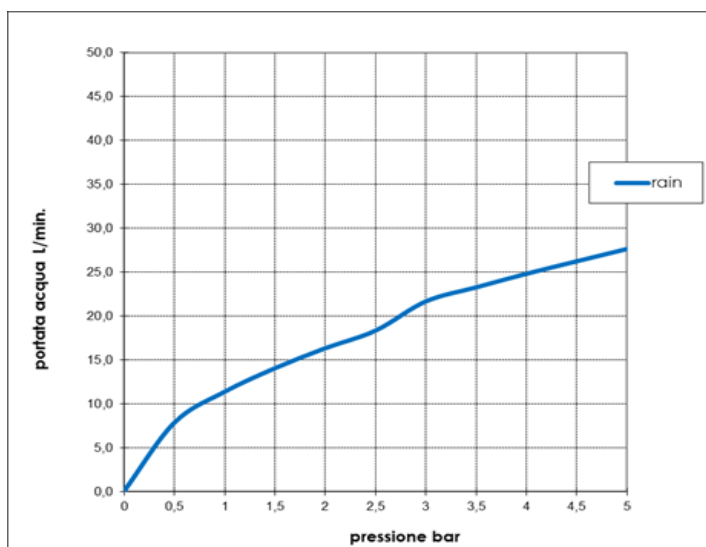


Grafico di portata - Flow rate diagram

| | rain |
|----------------------|----------------------|
| 0 | 0,0 |
| 0,5 | 7,8 |
| 1 | 11,3 |
| 1,5 | 14,0 |
| 2 | 16,3 |
| 2,5 | 18,3 |
| 3 | 21,6 |
| 3,5 | 23,2 |
| 4 | 24,8 |
| 4,5 | 26,2 |
| 5 | 27,6 |
| pressione bar | portata L/min |



Caratteristiche idrauliche - Hydraulic features

| | Pressione Pressure | Portata Flow rate | Solo per miscelatori termostatici Only for thermostatic mixers | |
|--|-----------------------|----------------------|---|----|
| min | 1 bar | 11,3 L/min | Blocco di sicurezza Safety lock | -- |
| max | 5 bar | 27,6 L/min | Temperatura acqua fredda Cold water temperature | -- |
| Portata minima consigliata per buon funzionamento Recommended minimum flow-rate for optimal performance | | 9 L/min | Temperatura acqua calda Hot water temperature | -- |

Materiali - Materials

Asta e supporti: Ottone
Flange a muro: ABS
Scorrevole centrale: ABS
Doccia B00900: ABS+gomma
Flessibile A00158: Tubo Nylon rinforzato e PVC con raccordi in ottone

Slide rail and brackets: Brass

Wall rosettes: ABS

Sliding support: ABS

Handshower B00900: ABS+rubber

Flexible hose A00158: Reinforced nylon pipe and PVC with brass fittings

Certificazioni - Certifications

A00158:



Conformità' - Conformity

Chrome plating: EN248