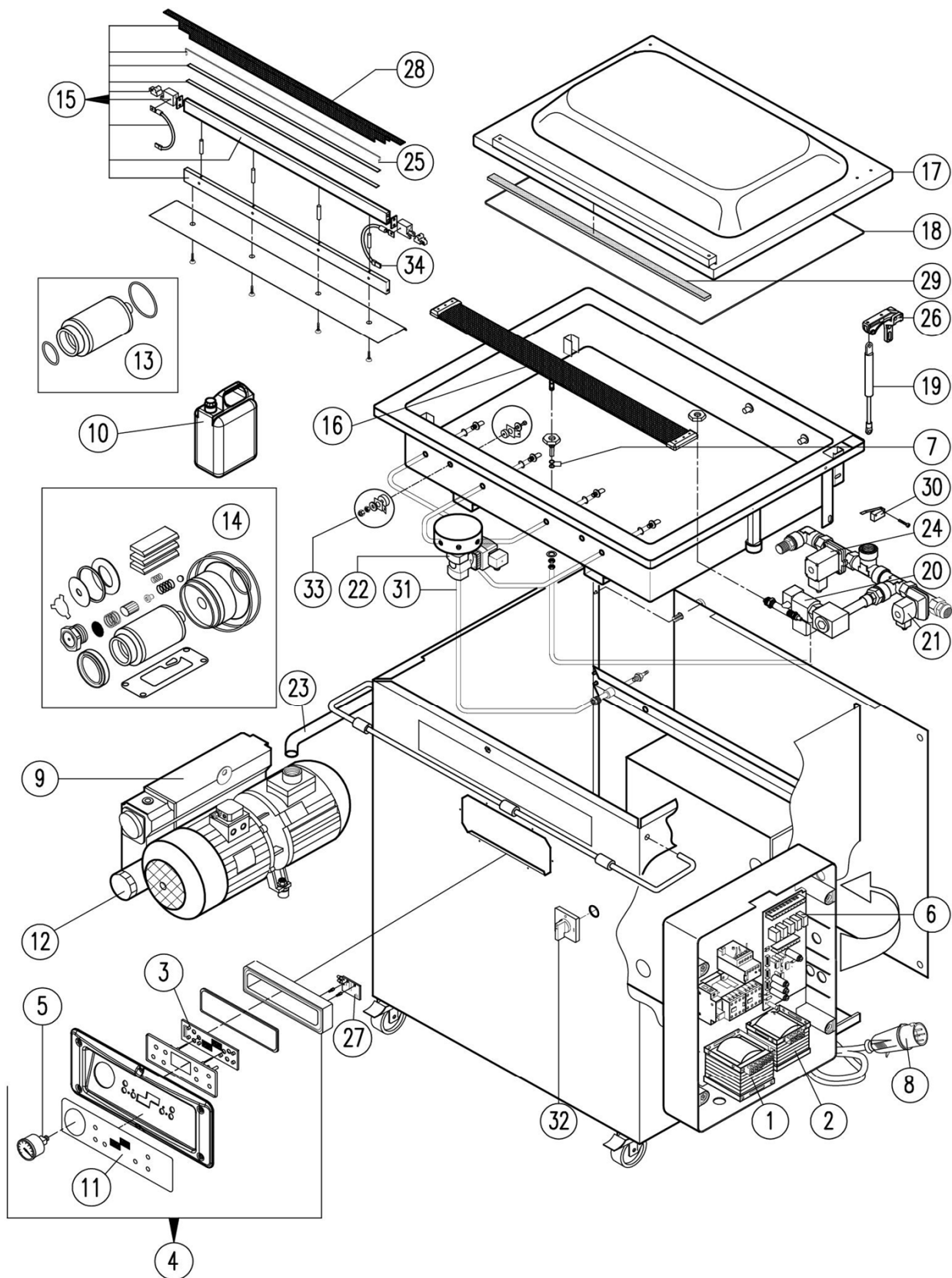


SPARE PARTS LIST



LEVAC C62

1927

SPARE PARTS LIST

SPARE PARTS LIST LEVAC C62 (AVM660F)					
No. Part	Code Part	Description	Validity start date	Validity end date	Notes
1	1602655	TRANSFORMER 500VA 220-380/12-18V	01/01/1900	31/12/2099	400V
1	1602655	TRANSFORMER 500VA 220-380/12-18V	04/01/1900	31/12/2099	230V
2	1604632	TRANSFORMER 200VA 0-230-400/0-22V	04/01/1900	31/12/2099	
3	1604093	COMMAND BOARD B081_2	04/01/1900	31/12/2099	
4	1600482	COMPLETE CONTROL PANEL LEVAC C62	31/01/2016	31/01/2016	
4	1602108	COMPLETE CONTROL PANEL LEVAC C62 2015	01/02/2016	31/12/2099	
5	1603378	VACUUM GAUGE D=50MM	04/01/1900	31/12/2099	
6	1601837	POWER BOARD PJ029 400V MC	04/01/1900	31/12/2099	
7	1604043	O-R FOR COUPLING NOZZLE (10 PCS)	04/01/1900	31/12/2099	
8	1603676	POWER CABLE 3PH+PE 4X1,5 MMQ CEE	04/01/1900	31/12/2099	
9	1602392	VACUUM PUMP LC 60 230-400V 50/60HZ	10/09/2014	31/12/2099	
10	1601840	PUMP OIL ORV60 1+1L	04/01/1900	31/12/2099	
10	1601038	PUMP OIL ORV60 10L	04/01/1900	31/12/2099	
11	1602498	CONTROLS STICKER LEVAC C62	04/01/1900	31/01/2016	
11	1602263	CONTROLS STICKER LEVAC C62 2015	01/02/2016	31/12/2099	
12	1602535	PUMP OIL FILTER 60/151 M ³ /H	04/01/1900	31/12/2099	
13	1602532	VACUUM PUMP EXHAUST FILTER LB60/LC60 VM19/20/1800	04/01/1900	31/12/2099	
14	1602764	MAJOR KIT FOR VACUUM PUMP LC60 (K9601068/1)	02/01/1900	31/12/2099	LC60
14	1601104	MAJOR KIT FOR VACUUM PUMP LB60 (K9601047/1)	04/01/1900	31/12/2099	LB60
15	1602766	SEALING BAR 525X43X15	02/01/1900	31/12/2099	2BC
15	1602769	SEALING BAR 640X43X15	02/01/1900	31/12/2099	2BL
16	1602453	SEALBAG L=550mm	02/01/1900	31/12/2099	2BL
16	1603262	SEALBAG L=430mm	04/01/1900	31/12/2099	2BC
17	1601805	LID VM20	04/01/1900	31/12/2099	
18	1604393	BLACK COVER SEAL MC-STD (4 MT)	01/01/1900	31/12/2099	
19	1602566	GAS PRESSURE SPRINGS (2 PCS) 198.255.36	04/01/1900	31/12/2099	
20	1603355	3 WAYS SEALBAG SOLENOID VALVE 1/8"FF D=2,5 FKM 24V-DC	04/01/1900	31/12/2099	
21	1603351	DEVACUMATE SOLENOID VALVE 2VIE 1"FF D20 NBR 24V-DC	01/01/1900	17/04/2018	
21	1604201	DEVACUMATE SOLENOID VALVE 2VIE 1"FF D20 NBR 24V-DC	18/04/2018	31/12/2099	
22	1603357	GASFLUSH SOLENOID VALVE 2 WAY 1/2"FF D=10 24V-DC	04/01/1900	31/12/2099	GAS
23	1604392	ARMORVIN HOSE D=30 (2 MT)	04/01/1900	31/12/2099	
24	1603352	SUCTION SOLENOID ELECTROV.DE ASPIRATION 2 VIE 1"FF D25 NBR 24V-DC	04/01/1900	31/12/2099	
25	1603265	ROUNDED SEALING WIRE 5x0.3 (1 MT)	02/01/1900	31/12/2099	
26	1603679	HINGES (L+R)	04/01/1900	31/12/2099	
27	1603278	PRESSURE TRANSDUCER MODULE B063.0	04/01/1900	31/12/2099	
28	1604427	HAVANA TEFLON BAND L=65MM (1 MT) IDEA/ MC/NEW/V.2010/400G-DG/VM98/F420/C-SERIES	04/01/1900	31/12/2099	
29	1602597	SILICONE RUBBER 22X8X520 (1 PC/PCS)	02/01/1900	31/12/2099	2BC
29	1602599	SILICONE RUBBER 22X8X640 (1 PC/PCS)	02/01/1900	31/12/2099	2BL
30	1603449	SWITCH CONTACT MC	04/01/1900	31/12/2099	
31	1604388	HOSE D=8X6 (2MT)	04/01/1900	31/12/2099	
32	1603243	MAIN SWITCH 20A 3-PH	04/01/1900	31/12/2099	
33	1601095	CHAMBER CONTACT KIT MC	04/01/1900	31/12/2099	
34	1602513	SEALING BAR CONNECTION WIRE (2 PCS) ASF-4	04/01/1900	31/12/2099	