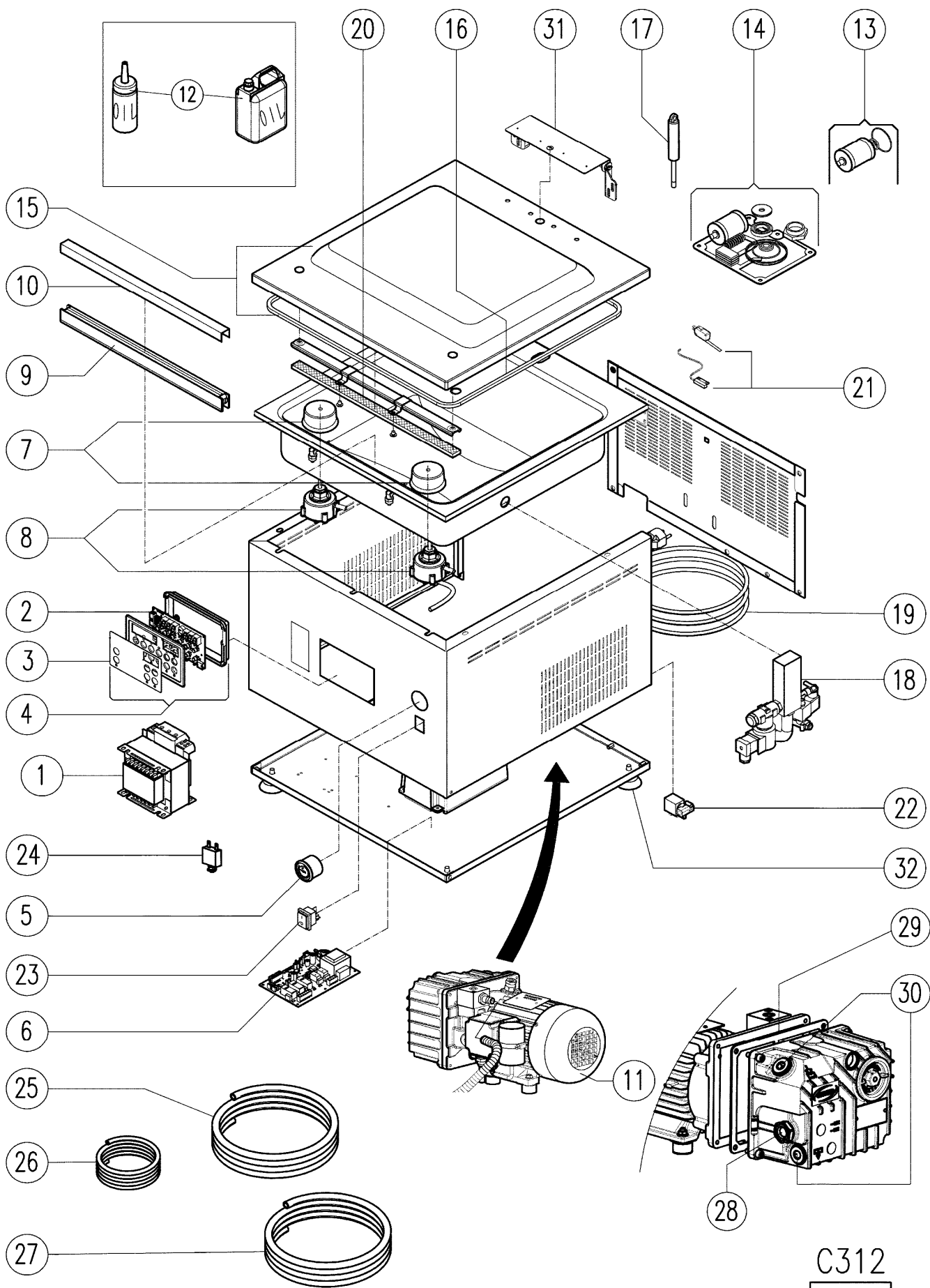


SPARE PARTS LIST



C312
1958

SPARE PARTS LIST

SPARE PARTS LIST C312 (AVM312)					
No. Part	Code Part	Description	Validity start date	Validity end date	Notes
1	1604109	TRANSFORMER 200VA 100-110/10-12-16	01/01/1900	31/12/2099	100V
1	1604109	TRANSFORMER 200VA 100-110/10-12-16	01/01/1900	31/12/2099	110V
1	1604098	TRANSFORMER 200VA 230/10-12-16V	01/01/1900	31/12/2099	230V
2	1604123	COMMAND BOARD N059.0	01/01/1900	31/12/2099	
3	1604124	CONTROLS STICKER C-SERIES	01/01/1900	31/12/2099	
4	1604125	COMPLETE CONTROL PANEL N089 C-SERIES	01/01/1900	31/12/2099	
5	1604105	VACUUM GAUGE D=40	01/01/1900	31/12/2099	
6	1604447	POWER BOARD L084 100V C-SERIES	01/01/1900	31/12/2099	100V
6	1602473	POWER BOARD L084 110V C-SERIES	01/01/1900	31/12/2099	110V
6	1604449	POWER BOARD L084 230V C-SERIES	01/01/1900	31/12/2099	230V
7	1604056	PROTECTIVE CAP (2 PCS) EVOX/C-SERIES/SPACE/IDEA	01/01/1900	31/12/2099	
8	1604127	ASSEMBLY PISTON C308/C310/C312/C412/C420 (2 PC/PCS)	01/01/1900	31/12/2099	
9	1604130	SEALING BAR 319X30X20 C308/310/312 - IDEA 30/31/32	01/01/1900	31/12/2099	
10	1604427	HAVANA TEFLON BAND L=65MM (1 MT) IDEA/ MC/NEW/V.2010/400G-DG/VM98/F420/C-SERIES	01/01/1900	31/12/2099	
11	1601613	VACUUM PUMP LC 12 230V 50/60HZ	01/01/1900	31/12/2099	230V
11	1601641	VACUUM PUMP LC 12 100-110V 50/60HZ	01/01/1900	31/12/2099	110V
11	1601641	VACUUM PUMP LC 12 100-110V 50/60HZ	01/01/1900	31/12/2099	100V
12	1601423	PUMP OIL ORV40 500ML	01/01/1900	31/12/2099	1 CAMBIO
12	1600500	PUMP OIL ORV40 1L	01/01/1900	31/12/2099	
12	1601037	PUMP OIL ORV40 10L	01/01/1900	31/12/2099	
13	1601010	REPAIR KIT MINOR FOR VACUUM PUMP LB8/LC12/LA12 (EXHAUST FILTER)	01/01/1900	31/12/2099	
14	1601525	REPAIR KIT MAJOR FOR VACUUM PUMP LC12 (K1000037)	01/01/1900	31/12/2099	
15	1604139	LID C310/C312	01/01/1900	31/12/2099	
16	1604018	BLACK COVER SEAL 2 MT	01/01/1900	31/12/2099	
17	1604144	GAS PRESSURE SPRINGS (1 PC) 198.155.44	01/01/1900	31/12/2099	
18	1604149	SOLENOID VALVE UNIT C312/412/420 230V	01/01/1900	31/12/2099	230V
18	1604161	SOLENOID VALVE UNIT C312/412/420 110V	01/01/1900	31/12/2099	110V
18	1604157	SOLENOID VALVE KIT C312/412/420 100V	01/01/1900	31/12/2099	100V
19	1603294	POWER CABLE 3X14AWG AI111USA -UL-	01/01/1900	31/12/2099	110V
19	1604162	POWER CABLE 3X2X2000-KP-2188 JAP	01/01/1900	31/12/2099	100V
19	1603292	POWER CABLE 3X1X3000 SHUKO EUR	01/01/1900	31/12/2099	230V
20	1603332	SILICON RUBBER 29X8X315 (1 PC/PCS)	01/01/1900	31/12/2099	
21	1603449	SWITCH CONTACT MC	01/01/1900	01/12/2014	SWITCH
21	1603692	REED CONTACT MC-N	01/01/1900	31/12/2099	REED
22	1604059	SOLENOID VALVE 1/8" FF D2 NBR 230V	01/01/1900	31/12/2099	230V
22	1604167	GASFLUSH SOLENOID VALVE 1/8" FF Ø2 NBR 110V 50/60HZ (5510)	01/01/1900	31/12/2099	110V
22	1604167	GASFLUSH SOLENOID VALVE 1/8" FF Ø2 NBR 110V 50/60HZ (5510)	01/01/1900	31/12/2099	100V
23	1604071	MAIN SWITCH 20A	01/01/1900	31/12/2099	
24	1602045	THERMIC CIRCUIT BREAKER C308/310/312/EVOX25/SPACE25	26/11/2015	31/12/2099	
25	1604861	D8X6 BLUE HOSE (1 MT) ELLASTOLAN	01/01/1900	31/12/2099	
26	1604591	WHITE SIL. TUBE D2X6 FOR SENSOR (1 MT)	01/01/1900	31/12/2099	
27	1604375	ARMORVIN HOSE D=16 (1 MT)	01/01/1900	31/12/2099	
28	1604013	OIL SIGHT LB8/LC12 (1105009)	01/01/1900	31/12/2099	
29	1604490	TANK GASKET PUMP LC12	01/01/1900	31/12/2099	
30	1604489	PUMP OIL REFILL SCREW 1/2" (2 PCS.)	01/01/1900	31/12/2099	
31	1605054	LID HINGE SUPPORT LERICA C-SERIES	01/01/1900	31/12/2099	
32	1605135	SAFETY RUBBER NUBS (4 PCS) C254/C308/C310/C312/C412	01/01/1900	31/12/2099	