
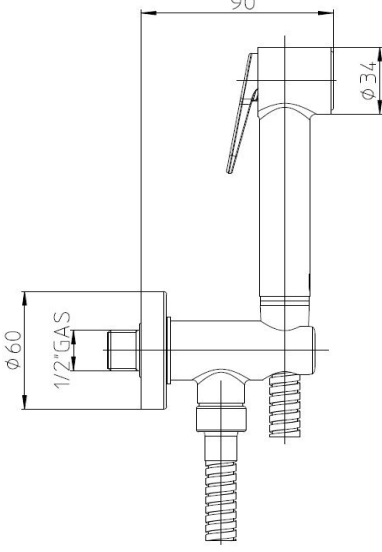
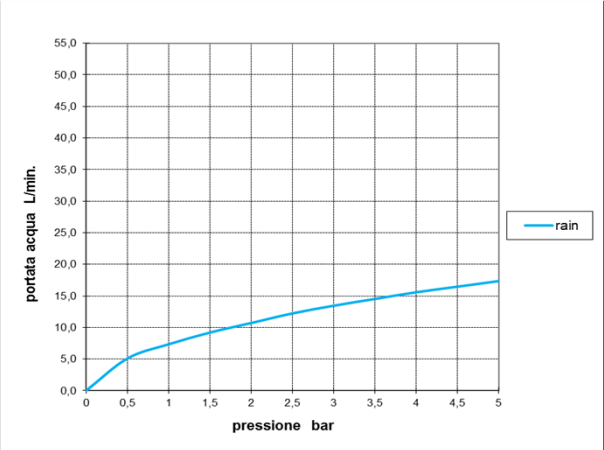


	<b>SCHEDA TECNICA</b> TECHNICAL SHEET	Date: 23/02/2017	Rev/0

<b>Codice / Code:</b> <b>C69038</b>	<b>Descrizione / description:</b> SET DOCCIA A PULSANTE IN OTTONE, SUPPORTO C/ARRESTO ACQUA 1/2" M, FLESSIBILE OTTONE DOPPIA AGGRAFFATURA cm 125 SHOWER SET WITH BRASS BIDET HANDSPRAY, SAFETY STOP VALVE 1/2" M WITH SHOWER HOLDER, DOUBLE INTERLOCK BRASS HOSE 125 cm
--	---

<b>Foto / image</b> 	<b>Disegni / drawings</b> 
--	---

<b>Grafico di portata / Flow rate diagram</b>																											
<table border="1"> <thead> <tr> <th></th> <th style="text-align: center;"><b>rain</b></th> </tr> </thead> <tbody> <tr><td>0</td><td style="text-align: center;">0,0</td></tr> <tr><td>0,5</td><td style="text-align: center;">5,1</td></tr> <tr><td>1</td><td style="text-align: center;">7,3</td></tr> <tr><td>1,5</td><td style="text-align: center;">9,2</td></tr> <tr><td>2</td><td style="text-align: center;">10,7</td></tr> <tr><td>2,5</td><td style="text-align: center;">12,2</td></tr> <tr><td>3</td><td style="text-align: center;">13,5</td></tr> <tr><td>3,5</td><td style="text-align: center;">14,5</td></tr> <tr><td>4</td><td style="text-align: center;">15,6</td></tr> <tr><td>4,5</td><td style="text-align: center;">16,5</td></tr> <tr><td>5</td><td style="text-align: center;">17,4</td></tr> <tr> <td style="text-align: right;">pressione <b>bar</b></td> <td style="text-align: left;">portata <b>L/min</b></td> </tr> </tbody> </table>		<b>rain</b>	0	0,0	0,5	5,1	1	7,3	1,5	9,2	2	10,7	2,5	12,2	3	13,5	3,5	14,5	4	15,6	4,5	16,5	5	17,4	pressione <b>bar</b>	portata <b>L/min</b>	
	<b>rain</b>																										
0	0,0																										
0,5	5,1																										
1	7,3																										
1,5	9,2																										
2	10,7																										
2,5	12,2																										
3	13,5																										
3,5	14,5																										
4	15,6																										
4,5	16,5																										
5	17,4																										
pressione <b>bar</b>	portata <b>L/min</b>																										

<b>MATERIALI / materials</b> <b>Shower:</b> Brass body, head and connector; Plastic (ABS) diffuser; Rubber (NBR) gaskets; other components in stainless steel and brass; <b>Hose:</b> Brass tube and connectors; Plastic (PVC, Nylon) inner tube; Rubber (NBR) gaskets; <b>Bracket:</b> Brass body, Rubber (NBR) gaskets, other components in stainless steel.
---

<b>CARATTERISTICHE IDRAULICHE / hydraulic features</b>					
	pressione pressure	portata flow rate	temperatura temperature	solo per miscelatori termostatici only for thermostatic mixers	
min	<b>1 bar</b>	/	--	Blocco di sicurezza safety lock	/
max	<b>5 bar</b>	/	<b>&lt;70°C</b>	Temperatura acqua fredda cold water temperature	/
consigliata recommended	<b>2-3 bar</b>	<b>5 L/min</b>	--	Temperatura acqua calda hot water temperature	/

<b>CERTIFICAZIONI / CERTIFICATIONS</b>
--

<b>CONFORMITA' / CONFORMITY</b> Chrome plating - EN 248; Hose EN 1113.
---