

Icematic®

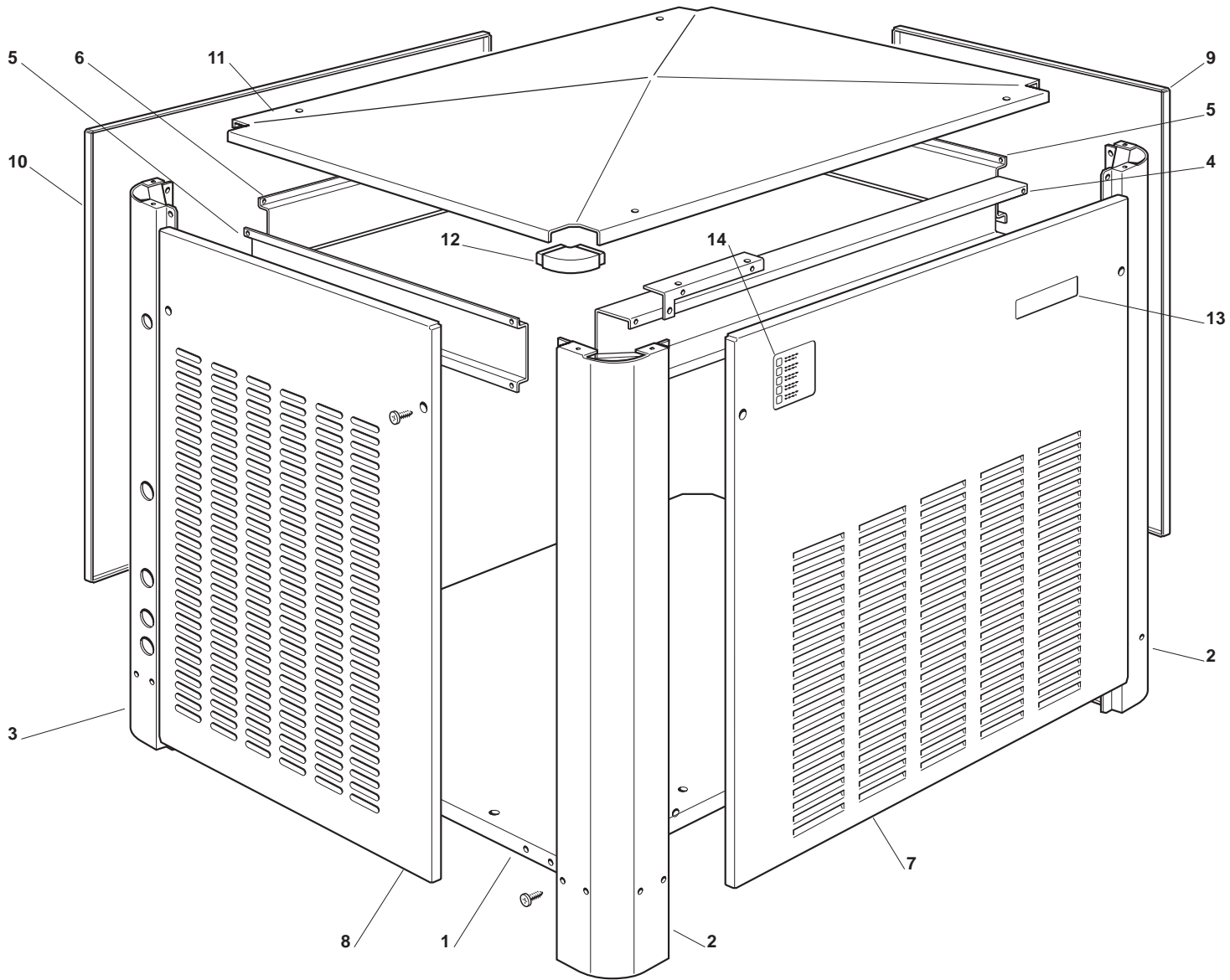
Spare parts list • *Catalogo ricambi*
Catalogues pièces détachées



R404a

Cod. 71503598/0 - Rev. 000

SFN 1000

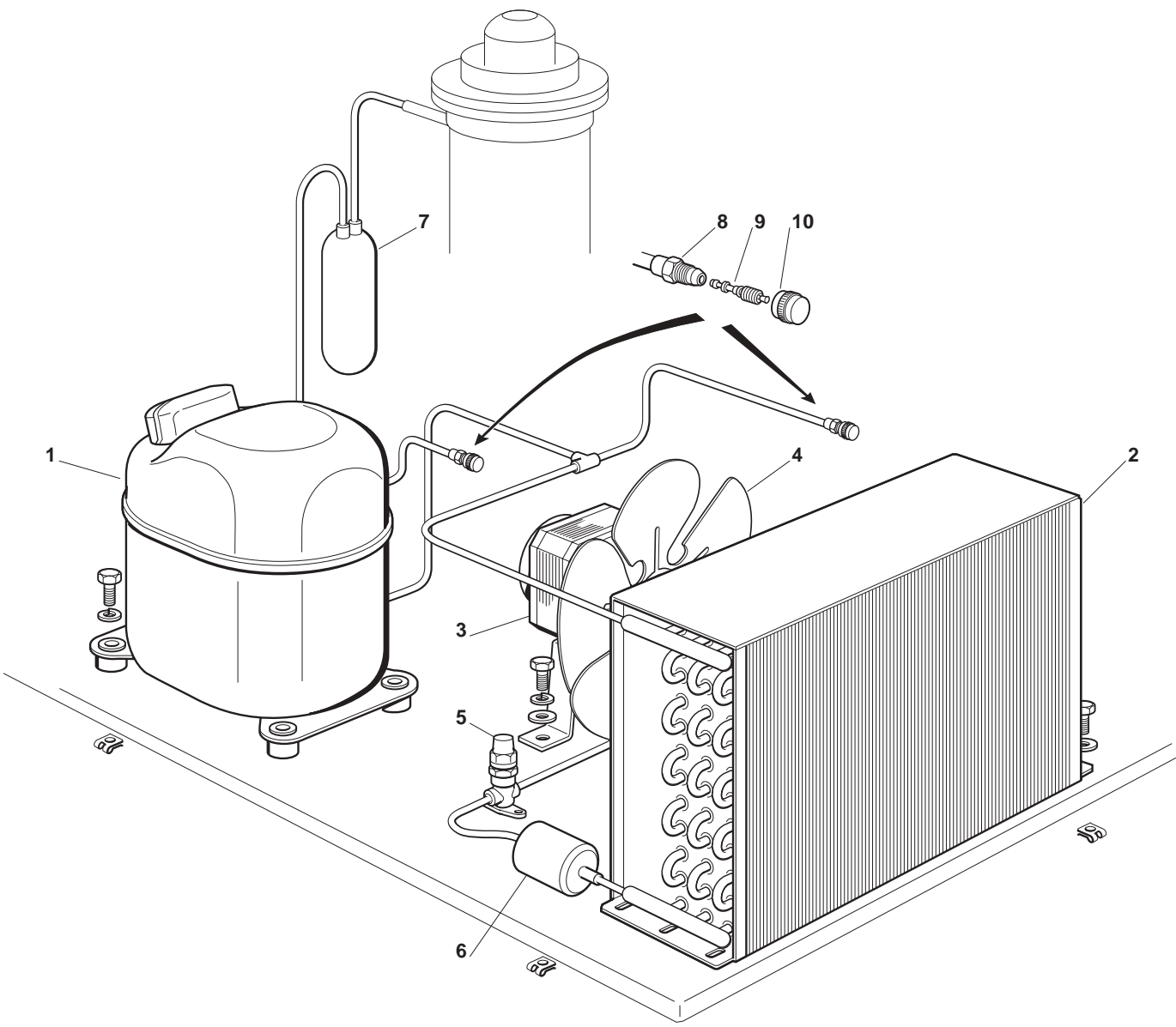


SFN1000 - UNIT PANELS - ASSIEME MOBILE - ENS. CARROSSERIE - MACHINE GEHAUSE

ITEM NO POS NO REP. NO REF. NO	PART NO CODICE REFERENCE STUECK NR	DESCRIPTION	DESCRIZIONE	DESIGNATION	BESCHREIBUNG
1	CF 781430 00	UNIT BASE	BASAMENTO	BASEMENT	CHASSIS RAHMENGEHÄUSE
2	CF 781431 00	METAL BRACKET	SUPPORTO IN METALLO	SUPPORT	METALLTRAGER
3	CF 781431 01	METAL BRACKET	SUPPORTO IN METALLO	SUPPORT	METALLTRAGER
4	CF 702299 00	METAL PLATE	STAFFA IN ACC. INOX	PLAQUE EN ACIER INOX	METALLPLATTE
5	CF 702298 01	METAL PLATE	STAFFA IN ACC. INOX	PLAQUE EN ACIER INOX	METALLPLATTE
6	CF 70229800	METAL PLATE	STAFFA IN ACC. INOX	PLAQUE EN ACIER INOX	METALLPLATTE
7	CF 721816 00	FRONT PANEL S.S.	PANNELLO FRONTALE ACCIAIO INOX	PANNEAU AVANT ACIER INOX	EDELSTAHL FRONT
8-9	CF 721817 00	SIDE PANEL S.S.	PANNELLO LATERALE ACC. INOX	PANNEAU COTE ACIER INOX	EDELSTAHL SEITENWAND
10	CF 702297 00	REAR PANEL S.S.	PANNELLO POSTERIORE ACC. INOX	PANNEAU ARRIERE ACIER INOX	EDELSTAHL RÜCKWAND
11	CF 721818 00	TOP PANEL S.S.	PANNELLO SUPERIORE ACCIAIO INOX	PANNEAU SUP. ACIER INOX	EDELSTAHL OBERWAND
12	CF 660671 00	TOP PLASTIG PLUG	TAPPO IN PLASTICA	CAPUCHON EN PLASTIQUE	PLASTIKPROPFEN
13	CF 650808 00	LABEL SFN1000	ADESIVO SEGNALETICO SFN1000	ETIQUETTE SFN1000	ETIKETT SFN1000
14	CF 650624 04	LABEL	ADESIVO SEGNALETICO	ETIQUETTE	ETIKETT

**ASSIEME CARROZZERIA
CABINET
ENSAMBLE CARROSSERIE**

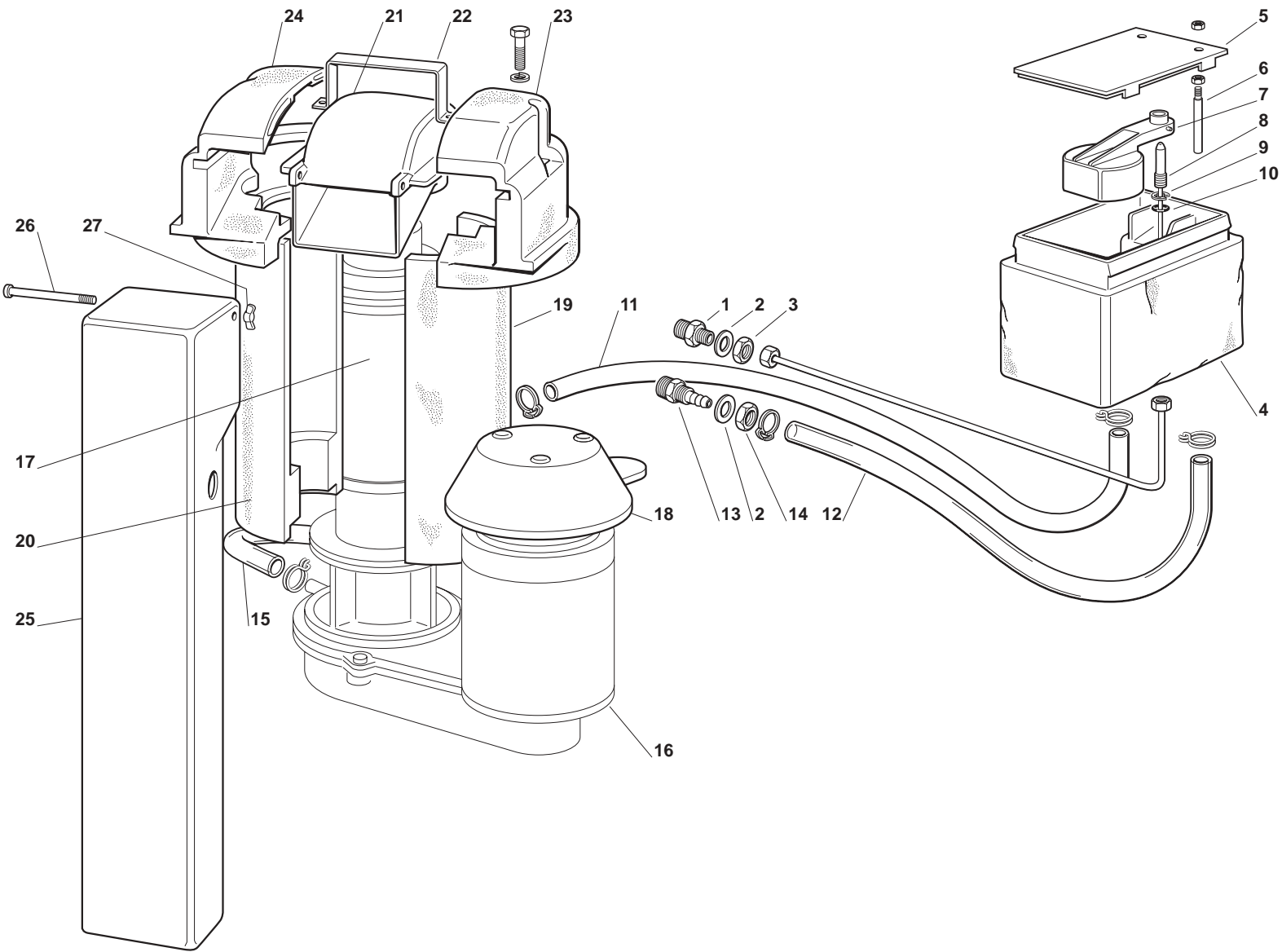
SFN1000



**SFN1000 - REFRIGERANT SYSTEM AIR COOLED - SISTEMA REFRIGERANTE RAFFR. AD ARIA
CIRCUIT FRIGORIFIQUE REFROID. PAR AIR - LUFTGEKÜHLT GEFRIERSYSTEM**

ITEM NO POS NO REP. NO REF. NO	PART NO CODICE REFERENCE STUECK NR	DESCRIPTION	DESCRIZIONE	DESIGNATION	BESCHREIBUNG
1	CF 670098 06	COMPRESSOR ASSY - 400/50-60/3	ASSIEME COMPRESSORE - 400/50-60/3	ENSAMBLE COMPRESSEUR - 400/50-60/3	KOMPRESSOR - 400/50-60/3
2	CF 620459 00	AIR COOLED CONDENSER	CONDENSATORE AD ARIA	CONDENSEUR A AIR	LUFTGEKUEHLT KONDENSATOR
3	CF 620273 00	FAN MOTOR - 230/50/1	MOTORE VENTILATORE - 230/50/1	MOTEUR VENTILATEUR - 230/50/1	LUFTER MOTOR - 230/50/1
3a	CF 620338 00	FAN GUARD	GRIGLIA VENTILATORE	PROTECTION D'HELICE	LUFTER HAUBE
4	CF 620274 00	FAN BLADE	VENTOLA	HELICE	FLUEGEL
5	CF 620372 05	SERVICE VALVE	RUBINETTO DI SERVIZIO	ROBINET DE SERVICE	VENTILKALTEMITTEL
6	CF 670024 00	DRIER	FILTRO DEUMIFICATORE	FILTRE DESHYDRATEUR	TROCKNER
7	CF 784566 00	SUCTION LINE/ACCUMULATOR	ACCUMUL. E LINEA ASPIRAZIONE	ENS. ASPIRATION/ACCUMULATEUR	SAMMLER UND SAUGLEITUNGEN
8	CF 650109 00	VALVE BODY	CORPO VALVOLA	CORPS DE VANNE	VENTILGEHAUSE
9	CF 670012 00	VALVE PISTON	PISTONCINO VALVOLA	PISTON	VENTILKOLBEN
10	CF 650106 00	VALVE CAP	CAPPUCCIO VALVOLA	CAPUCHON DE VANNE	VENTILKLAPPE

UNITÀ CONDENSATRICE AD ARIA
AIR CONDENSING UNIT
UNITE DE CONDENSATION A AIR

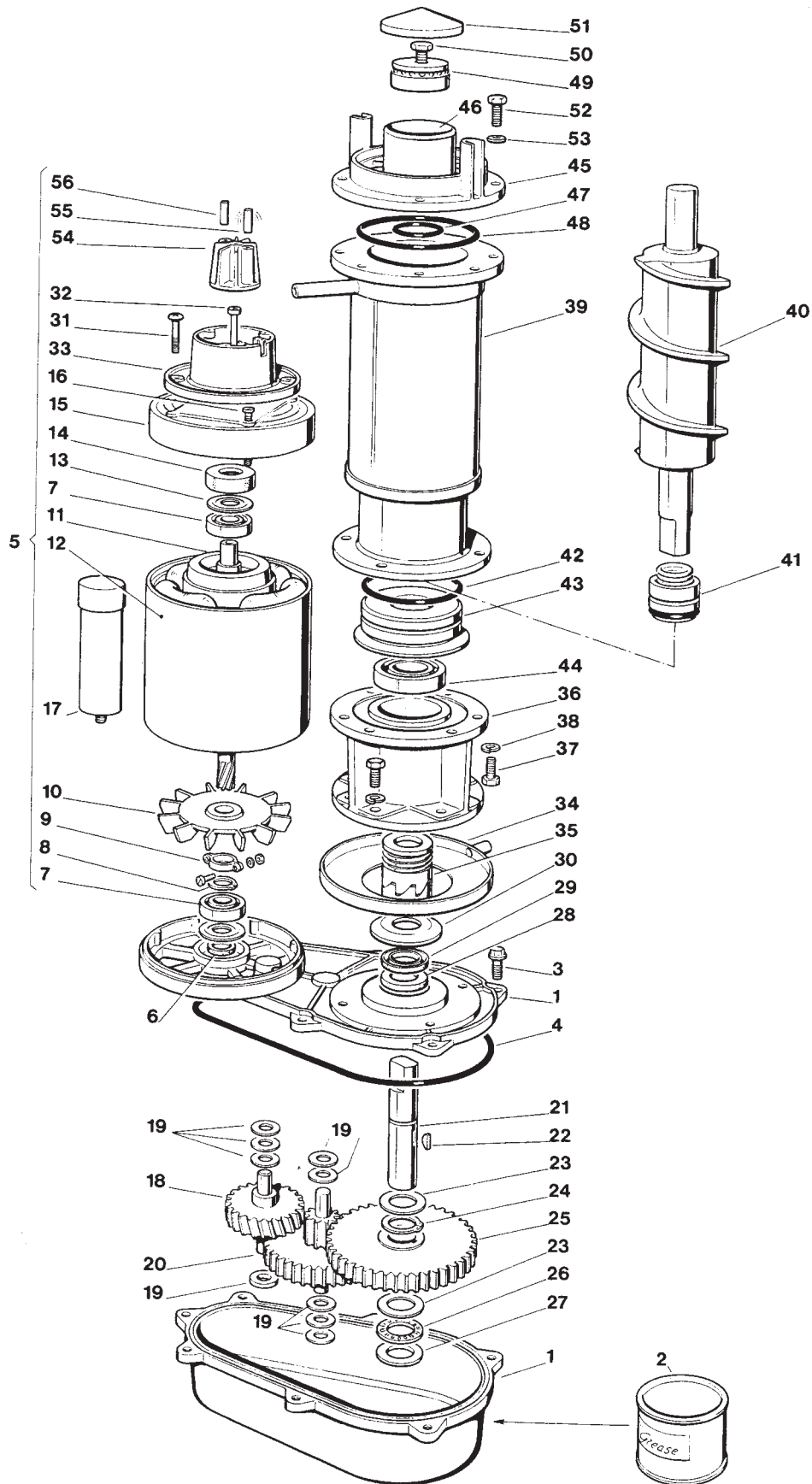


**SFN1000 - WATER SYSTEM AND INSULATIONS - CIRCUITO IDRAULICO ED ISOLAMENTI
CIRCUIT HYDRAULIQUE ET ISOLATIONS - WASSERKREISLAUF UND ISOLIERUNGE**

ITEM NO POS NO REP. NO REF. NO	PART NO - CODICE REFERENCE - STUECK NR	DESCRIPTION	DESCRIZIONE	DESIGNATION	BESCHREIBUNG
1	CF 733205 01	WATER INLET FITTING	RACCORDO INGRESSO ACQUA	RACCORD ARRIVEE D'EAU	WASSEREINLAUFSTUECK
2	CF 400031 00	FIBER WASHER	RONDELLA IN FIBRA	RONDELLE EN FIBRE	FIBER SCHEIBE
3	CF 400030 01	NUT	DADO	ECROU	MUTTER
4	CF 793126 01	WATER RESERVOIR ASSY	ASS. VASCHETTA GALLEGGIANTE	ENS. RÉSERVOIR	BECKEN/SCHWIMMERVERTILEINHEIT
5	CF 660363 00	WATER RESERVOIR COVER	COPERCHIO VACHETTA	COUVERCLE	BECKENABDECKUNG
6	CF 724215 06	WATER LEVEL METAL PIN	PERNO SENSORE LIVELLO ACQUA	DETECTEUR NIVEAU EAU	FÜHLERSTIFT-WASSERNIVEAU
7	CF 660585 00	FLOAT VALVE ASSY	ASS. GALLEGGIANTE	ENS. VANNE A FLOTTEUR	SCHWIMMERVERTIL-EINHEIT
8	CF 783153 00	NOZZLE	UGELLO	GICLEUR	VENTILSDUESE
9	CF 460038 02	CLIP RING	ANELLO SEEGER	CIRCLIP	RING
10	CF 640100 00	O RING	GUARNIZIONE OR	JOINT TORIQUE	SIMMERING
11	CF 281222 00	PLASTIC TUBE - PER MTR	TUBO IN PLASTICA - PER METRO	TUYAU EN PLASTIQUE - POUR METRE	PLASTIK ROHR - PRO METER
12	CF 281832 00	PLASTIC TUBE - PER MTR	TUBO IN PLASTICA - PER METRO	TUYAU EN PLASTIQUE - POUR METRE	PLASTIK ROHR - PRO METER
13	CF 733174 00	WATER DRAIN FITTING	RACCORDO SCARICO ACQUA	RACCORD EVACUATION EAU	WASSERABFLUSSANSCHLUSSE
14	CF 400076 00	NUT	GHIERA	COLLIER DE SERRAGE	MUTTER
15	CF 610163 02	PLASTIC TUBE	TUBO IN PLASTICA	TUYAU EN PLASTIQUE	PLASTIK ROHR
16	CF 794215 08 R	GEAR REDUCER ASSY	ASS. MOTORIDUTTORE	ENS .MOTOREDUCTEUR	GETRIEBEMOTOR-EINHEIT
17	CF 794298 00 R	FREEZER ASSY	ASS. FREEZER	ENS. FREEZER	GEFRIERZYLINDEREINHEIT
18	CF 660553 00	GEAR MOTOR PLASTIC COVER	PROTEZIONE MOTORE	PROTECTION MOTEUR	PLASTIK MOTORSCHUTZ
19-20	CF 060551 05	INSULATION	ISOLAMENTO	ISOLATION	GEFRIERZYLINDERISOLIERUNG
21	CF 660667 00	PLASTIC ICE SPOUT	BOCCHETTA SCARICO GHIACCIO	BEC VERSEUR	AUSWURFSCHNAUZE
22	CF 725035 01	U BOLT	STAFFA	ETRIER	BÜGEL
23-24	CF 0650551 01	SPOUT INSULATION RIGHT	ISOLAMENTO BOCC. DESTRO	ISOLATION DROITE BEC VERSEUR	AUSWURFSCHNAUZEISOLIERUNG
25	CF 660573 07	PLASTIC ICE CHUTE	CONDOTTO SCARICO GHIACCIO	GOULOTTE	EIS BUNKERAUSLAUF
26	CF 724180 02	METAL ROD	TIRANTE	TIRANT	STANGE
27	CF 430083 00	WING NUT	DADO AD ALETTE	ECROU	MUTTER

GRUPPO EVAPORATORE
ICE-MAKING ASS'Y
GROUP EVAPORATEUR

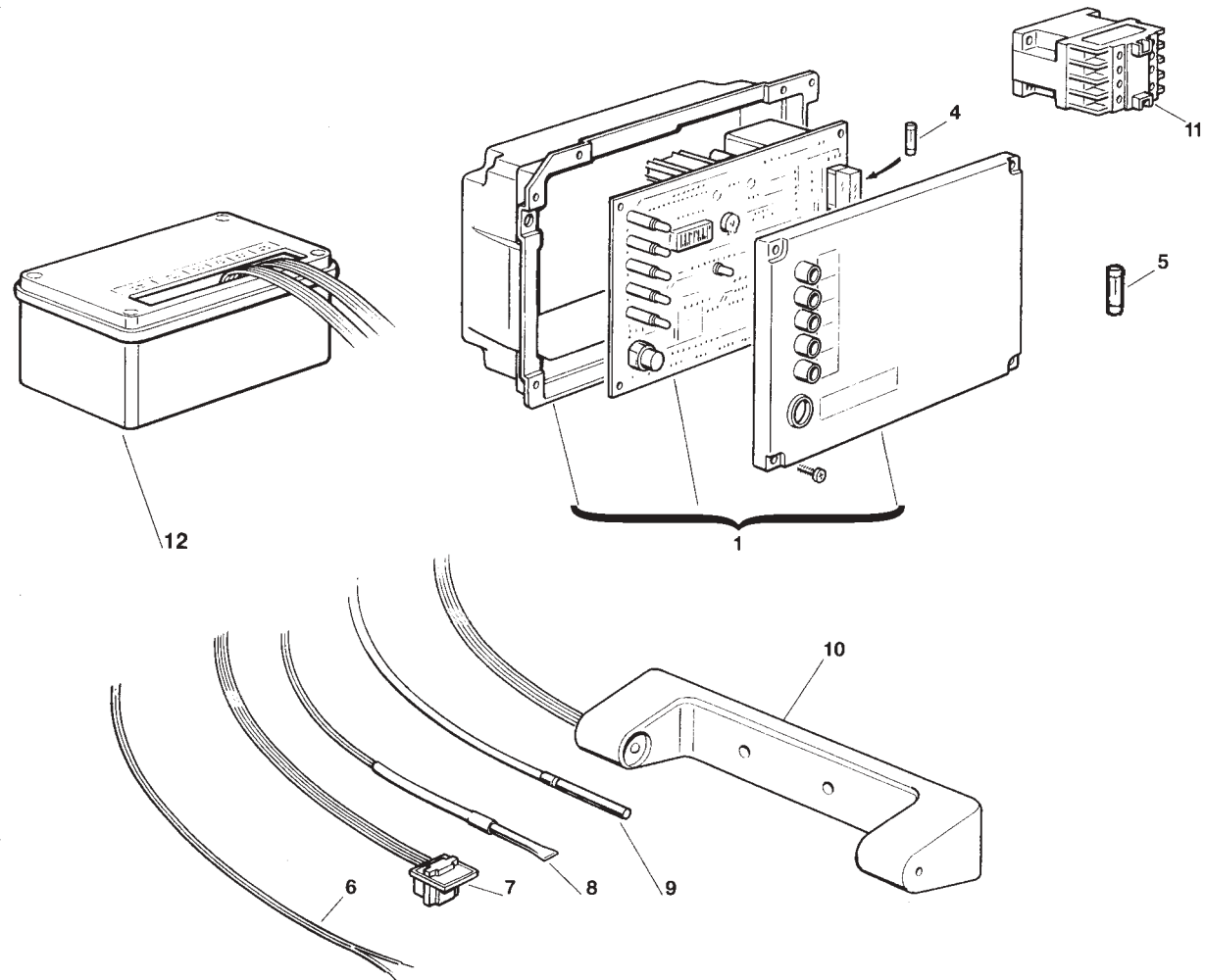
SFN1000



**SFN1000 - FREEZER AND GEAR REDUCER ASSY - ASSIEME FEEZER E RIDUTTORE
ENS. FREEZER ET MOTOREDUCTEUR - GEFRIERZYLINDER UND GETRIEBEEINHEIT**

ITEM NO POS NO REF. NO REF. NO	PART NO CODICE REFERENCE STUECK NR	DESCRIPTION	DESCRIZIONE	DESIGNATION	BESCHREIBUNG
1	CF A 31230 01	GEAR CASE ASSY	ASS. SCATOLA INGRANAGGI	ENS. CARTER RÉDUCTEUR	GETRIEBEGEHAUSE CPL
2	CF 060294 01	GREASE (1 KG)	GRASSO (1 KG)	GRAISSE (1 KG)	FETT (1 KG)
3	CF 429850 00	SCREW	VITE	VIS	SCHRAUBE
4	CF 13000617 38	O RING	GUARNIZIONE OR	JOINT TORIQUE	O RING
5	CF 060273 06	DRIVE MOTOR ASSY	MOTORE RIDUTTORE	MOTEUR DU REDUCTEUR	MOTOREINHEIT
6	CF 02 1606 00	GEASE SEAL	PARAOILIO	PARAHUILE	SCHMIERDICHTUNG
7	CF 651053 00	BEARING	CUSCINETTO	ROULEMENT	LAGER
8	CF 441800 04	WASHER	RONDELLA	RONDELLE	SCHEIBE
9	CF 650341 00	CLAMP	FASCETTA	COLLIER	KLEMME
10	CF 650340 00	FAN BLADE	VENTOLA	HELICE	FLÜGEL/RAD
11	CF 794216 00R	ROTOR ASSY	ASS. ROTORE	ENS. ROTOR	ROTOR EINHEIT
12	CF 620295 00	STATOR ASSY	ASS. STATORE	ENS. STATOR	STATOREINHEIT
13	CF 460041 00	SPRING	MOLLA	RESSORT	FEDER
14	CF 640095 01	RUBBER INSERT	INSERTO IN GOMMA	BAGUE CAOUTCHOUC	GUMMI LAGER GEHAUSE
15	CF 650339 00	DRIVE MOTOR COVER	COPERCHIO MOTORE	COUVERCLE MOTEUR	MOTOR DEKEL
16	CF 420332 00	SCREW	VITE	VIS	SCHRAUBE
17	CF 620292 03	CAPACITOR	CONDENSATORE	CONDENSATEUR	KONDENSATOR
18	CF 651156 00	1SR GEAR & PINION	INGRANAGGIO IN FIBRA	ENGRANAGE EN CELERON	1 GETRIEBERAND & RITZEL
19	CF 03 1408 24	TRUST WASHER (9 R.QD)	RONDELLA DI RASAMENTO (9 PZ)	RONDELLE (9 PCS)	UNTERLEG SCHEIBE (9 STK.)
20	CF 651157 00	2ND GEAR & PINION	INGRANAGGIO INTERMEDIO	2eme ENGRANAGE ET PIGNON	2 GETRIEBERAND & RITZEL
21	CF 651159 00	OUTPUT SHAFT	ALBERO DI TRASMISSIONE	ARBRE DE SORTIE	AUSGANGSSHAFT
22	CF 03 1364 00	KEY	CHIAVETTA	CLAVETTE	KEIL
23	CF 02 1681 00	TRUST WASHER	RONDELLA DI RASAMENTO	RONDELLE	SCHEIBE
24	CF 03 1363 00	CLIP RING	ANELLO SEEGER	CIRCLIP	RING
25	CF 651158 00	OUTPUT GEAR	INGRANAGGIO FINALE	3eme ENGRANAGE	GETRIEBERAND
26	CF 02 1680 00	ROLLER BEARING	CUSCINETTO A RULLINI	ROULEMENT	OBERLAGE
27	CF 02 1679 00	TRUST WASHER	RONDELLA DI RASAMENTO	RONDELLE	SCHEIBE
28	CF 02 1607 01	GREASE SEAL - FACE DOWN	PARAOILIO	PARAHUILE	SCHMIERDICHTUNG
29	CF 02 2853 01	GREASE SEAL - FACE UP	PARAOILIO	PARAHUILE	SCHMIERDICHTUNG
30	CF 13 0709 02	GASKET	GUARNIZIONE	JOINT	DICHTUNG
31	CF 400078 00	SCREW	VITE	VIS	SCHAUBE
32	CF 03 1403 77	SCREW	VITE	VIS	SCHAUBE
33	CF 650515 01	PLASTIC HOUSING	ALLOGGIAMENTO IN PLASTICA	BôITE DETECTEUR EFF. HALL	KUNSTSTOFFGEHAUSE
34	CF 650686 00	DRIP TRAY	RACCOGLIGOCCE	GOUPELLE EAU	TROPFFPANNE
35	CF 060359 01	COUPLING	GIUNTO	BAGUE D'ACCOUPLMENT CPL	KUPPLUNG
36	CF 764007 00	ALUMINIUM ADAPTER	SUPPORTO DI ALLUMINIO	SUPPORT	PASSTUECK
37	CF 420019 00	SCREW	VITE	VIS	SCHRAUBE
38	CF 440015 04	WASHER	RONDELLA	RONDELLE	SCHEIBE
39	CF 784456 00	WORM TUBE ONLY	TUBO EVAPORATORE	CYLINDRE EVAPORATEUR	GEFRIERZYLINDER
40	CF 724198 03	AUGER	COCLEA	VIS SANS FIN	SCHNECKE
41	CF 650402 00	WATER SEAL	ASSIEME PREMISTOPPA	GARNITURE D'ETANCHEITE	WASSERDICHTUNGEINHEIT
42	CF 640093 00	O RING	GUARNIZIONE OR	JOINT TORIQUE	O RING
43-44	CF 060527 00	BEARING RETAINER ASSY	SUPPORTO/CUSCINETTO	LOGEMENT/PALIER	UNTERESLAGERGEHAUSE
45	CF 751005 01	ICE BREAKER ONLY	ROMPIGHIACCIO	BROYEUR	EISBRECHER
46	CF 263612 00	WATER PROOF GREASE (4 OZ)	GRASSO IDROREPELL. (110 GR)	GRAISSE (110 GR)	FETT (110 GR)
47	CF 640093 02	O RING	GUARNIZIONE OR	JOINT TORIQUE	O RING
48	CF 640093 03	O RING	GUARNIZIONE OR	JOINT TORIQUE	O RING
49	CF 651058 00	TOP BEARING	CUSCINETTO SUPERIORE	PALIER SUPERIEUR	OBERESLAGER
50	CF 423915 00	SCREW	VITE	VIS	SCHAUBE
51	CF 660507 00	PLASTIC CUP	CALOTTA IN PLASTICA	CALOTTE	KUGELHAUBE
52	CF 420019 00	SCREW	VITE	VIS	SCHAUBE
53	CF 440015 04	WASHER	RONDELLA	RONDELLE	SCHEIBE
54-55-56	CF 784476 01	MAGNETO ASSY	ASS. SUPPORTO MAGNETE	ENS. SUPPORT DU MAGNETO	MAGNETHALTER CPL
*	CF 001028 08	KIT BEARING & SEAL	KIT CUSCINETTI + PREMISTOPPA	KIT PALIERS + GARNITURE	KIT LAGER + WASSER DICHTUNG

SFN1000 - P.C. BOARD AND SENSOR ASSY - SCHEDA ELETTRONICA E SENSORI
ENS. CARTE ELECTRONIQUE ET DETECTEURS - ELEKTRONISCHE KARTE UND TEMPERATURFUEHLERENHEIT



SFN1000 - P.C. BOARD AND SENSOR ASSY - SCHEDA ELETTRONICA E SENSORI
ENS. CARTE ELECTRONIQUE ET DETECTEURS - ELEKTRONISCHE KARTE UND TEMPERATURFUEHLERENHEIT

ITEM NO POS NO REP. NO REF. NO	PART NO CODICE REFERENCE STUECK NR	DESCRIPTION	DESCRIZIONE	DESIGNATION	BESCHREIBUNG
1	81469134/0	PC BOARD + BOX ASSY	ASSIEME SCHEDA + BOX		
1+12	CF 060535 00	P.C. BOARDS KIT	KIT SCHEDE ELETTRONICHE	KIT CARTES ELECTRONIQUES	GEDRUCKTESCHALTUNG KIT
4	CF 630015 11	FUSE (50 mA)	FUSIBILE (50 mA)	FUSIBLE (50 mA)	SCHMELZSICHERUNG (50 mA)
5	CF 630015 10	FUSE (16 A)	FUSIBILE (16 A)	FUSIBLE (16 A)	SCHMELZSICHERUNG (16 A)
6	CF 620404 04	WATER LEVEL SENSOR	SENSORE LIVELLO ACQUA	CAPTEUR NIVEAU EAU	WASSERNIVEAUFÜHLER
7	CF 620404 03	HALL EFFECT SENSOR	SENSORE EFFETTO HALL	CAPTEUR EFFECT HALL	HALL EFFEKT-FÜHLER
8	CF 620404 11	CONDENSER TEMP. SENSOR	SENSORE TEMP. CONDENSATORE	CAPTEUR TEMP. CONDENSEUR	KONDENSATORTEMPERATURFUEHLER
9	CF 620404 10	EVAPORATOR TEMP. SENSOR	SENSORE TEMP. EVAPORATORE	CAPTEUR TEMP. ÉVAPORATEUR	VERDAMPFERTEMPERATURFUEHLER
10	CF 650674 02	ICE LEVEL CONTROL ASSY	ASS. CONTR. LIVELLO GHIACCIO	ENS. DETECTEUR NIVEAU GLACE	EISNIVEAUFUEHLEREINHEIT
11	CF 630124 05	CONTACTOR	TELERUTTORE	CONTACTEUR	SCHALTSCHÜTZ
	CF 620428 00	CURRENT RELAY	RELE AMPEROMETRICO	PROTECTEUR AMPEROMETRIQUE	SCHUTZRELAIS