
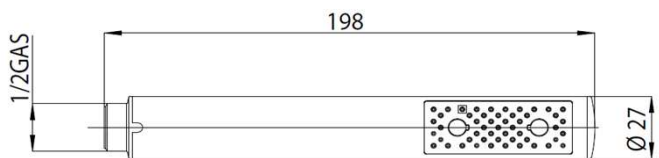
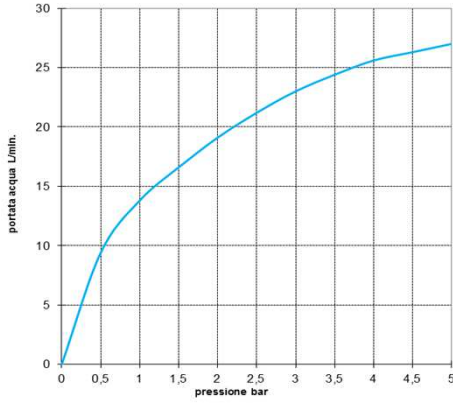


BOSSINI		SCHEDA TECNICA TECHNICAL SHEET		Date: 20/07/2017	Rev/0																										
Codice / Code: B00250		Descrizione / description: Doccia monogetto in ottone Single function Brass handshower																													
Foto / image		Disegni / drawings																													
																															
Grafico di portata / Flow rate diagram																															
<table border="1"> <thead> <tr> <th></th> <th>rain</th> </tr> </thead> <tbody> <tr><td>0</td><td>0</td></tr> <tr><td>0,5</td><td>9,4</td></tr> <tr><td>1</td><td>13,8</td></tr> <tr><td>1,5</td><td>16,6</td></tr> <tr><td>2</td><td>19,1</td></tr> <tr><td>2,5</td><td>21,2</td></tr> <tr><td>3</td><td>23</td></tr> <tr><td>3,5</td><td>24,4</td></tr> <tr><td>4</td><td>25,6</td></tr> <tr><td>4,5</td><td>26,3</td></tr> <tr><td>5</td><td>27</td></tr> <tr> <td>pressione bar</td> <td>portata L/min</td> </tr> </tbody> </table>			rain	0	0	0,5	9,4	1	13,8	1,5	16,6	2	19,1	2,5	21,2	3	23	3,5	24,4	4	25,6	4,5	26,3	5	27	pressione bar	portata L/min				
	rain																														
0	0																														
0,5	9,4																														
1	13,8																														
1,5	16,6																														
2	19,1																														
2,5	21,2																														
3	23																														
3,5	24,4																														
4	25,6																														
4,5	26,3																														
5	27																														
pressione bar	portata L/min																														
MATERIALI / materials																															
Brass, Silicone, Nbr, Acetal, abs																															
CARATTERISTICHE IDRAULICHE / hydraulic features																															
	pressione pressure	portata flow rate	temperatura temperature	<i>solo per miscelatori termostatici</i> <i>only for thermostatic mixers</i>																											
min	1 bar	5 L/min	--	Blocco di sicurezza safety lock	/																										
max	5 bar	--	<70°C	Temperatura acqua fredda cold water temperature	/																										
consigliata recommended	2-3 bar	--	<42°C	Temperatura acqua calda hot water temperature	/																										
CERTIFICAZIONI / CERTIFICATIONS: ACS(FRA), NF [EN 1112] (FRA), WATERMARK [AS/NZS 3662:2005] (AUS), CSA [ASME A112.18.1/CSA B125.1](CAN/USA), IAPMO [ASME A112.18.1/CSA B125.1] (USA/CAN).																															
CONFORMITA' / CONFORMITY : Chrome plating - EN 248.																															