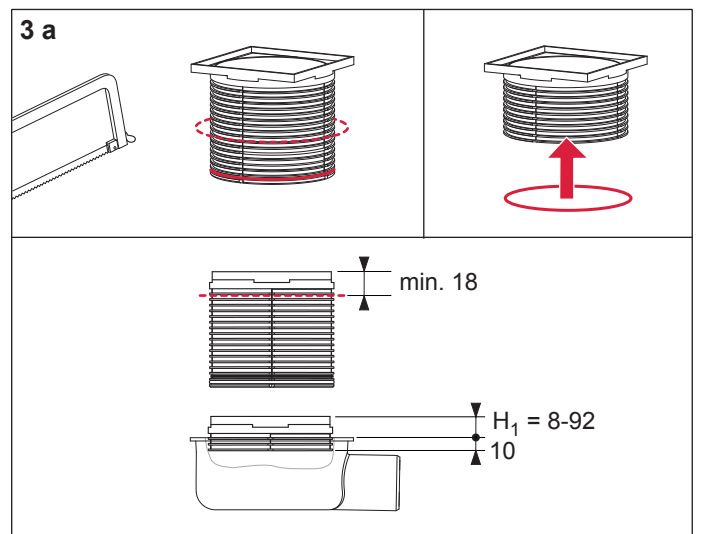
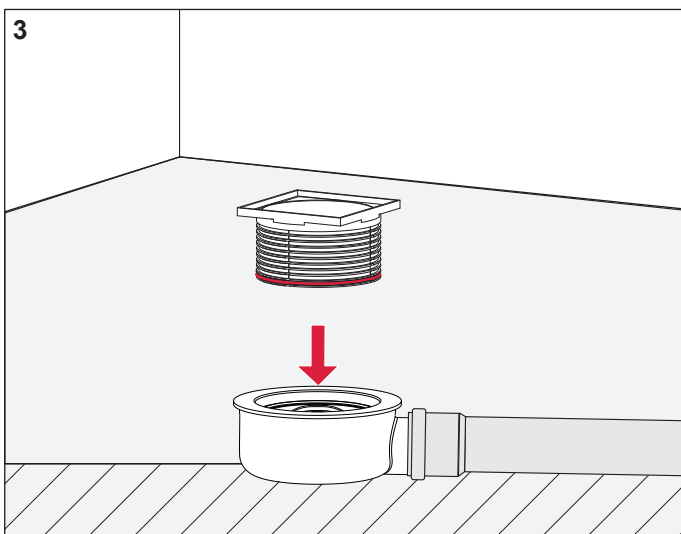
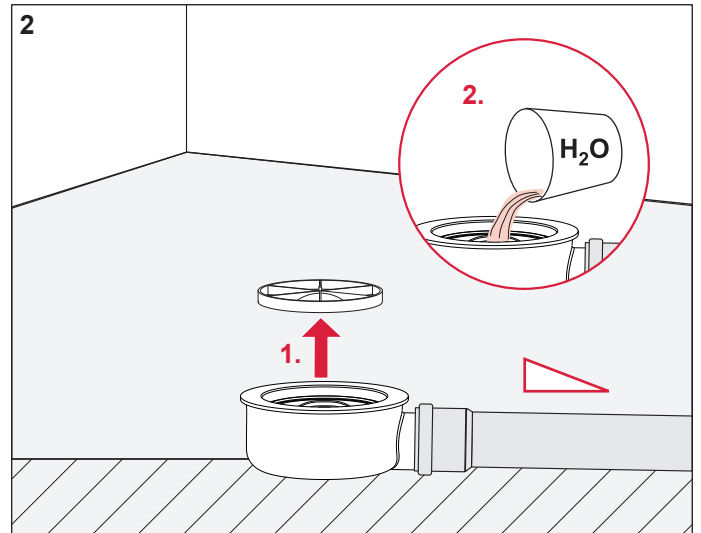
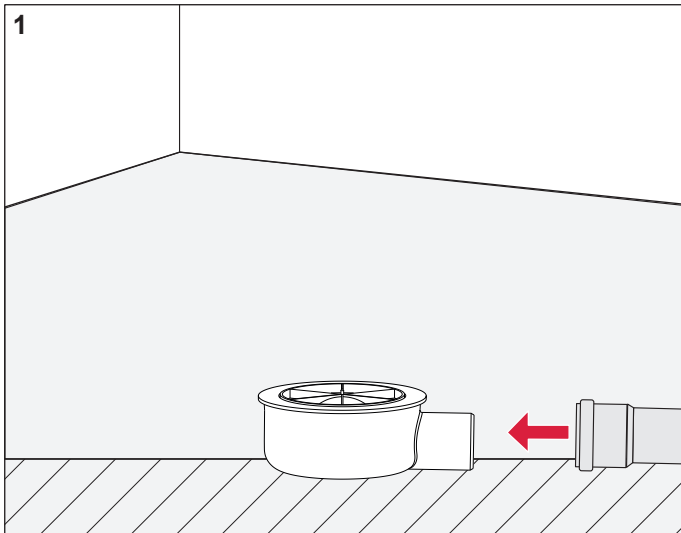
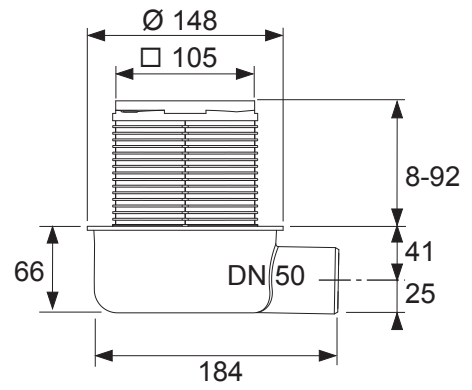
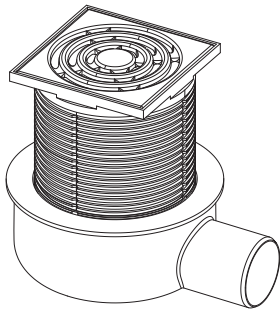


# TECEdrainpoint S – 360 10 50



# TECEdrainpoint S – 360 10 50

