



coffeeing the World

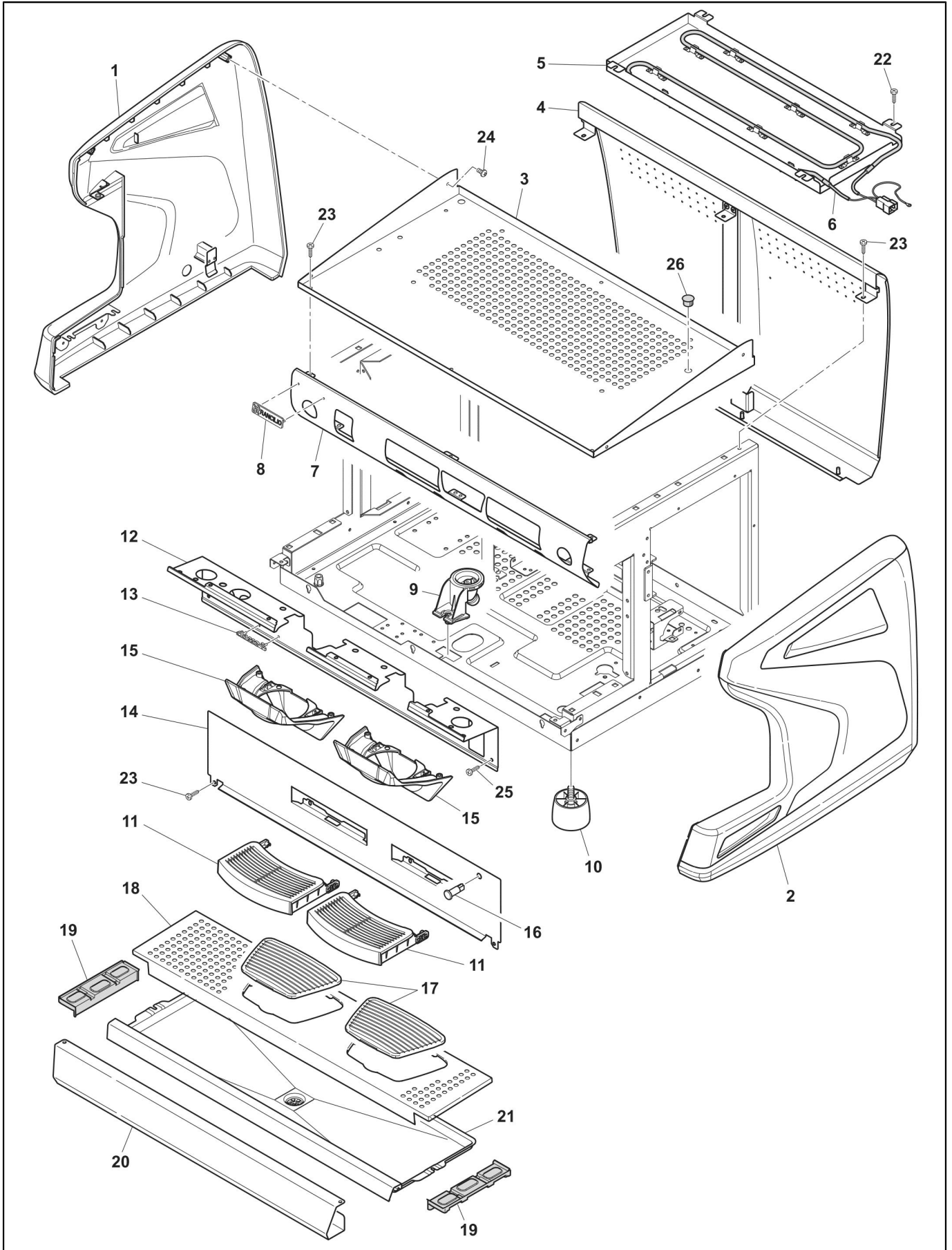
CLASSE 5 TALL



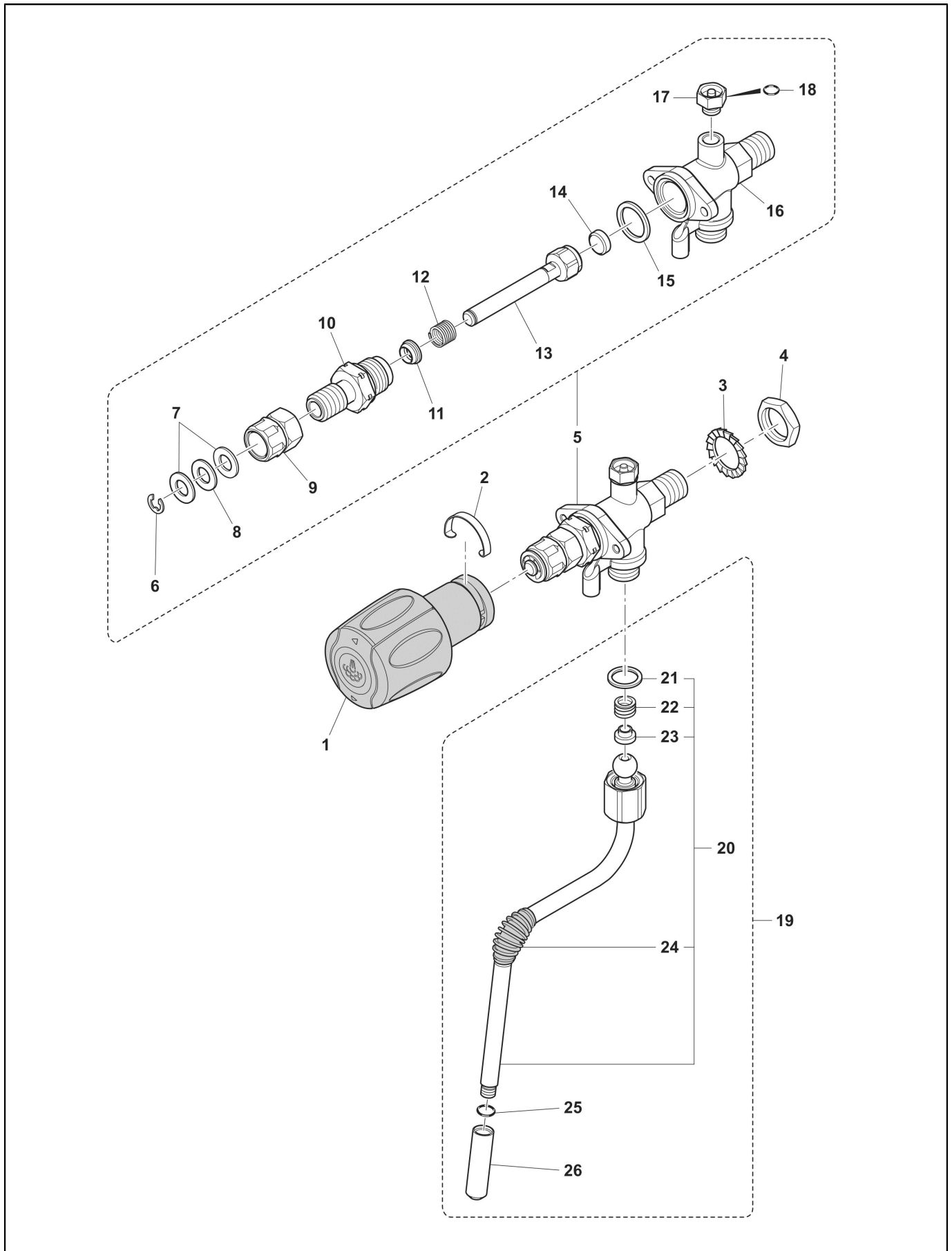
CLASSE 5

Index

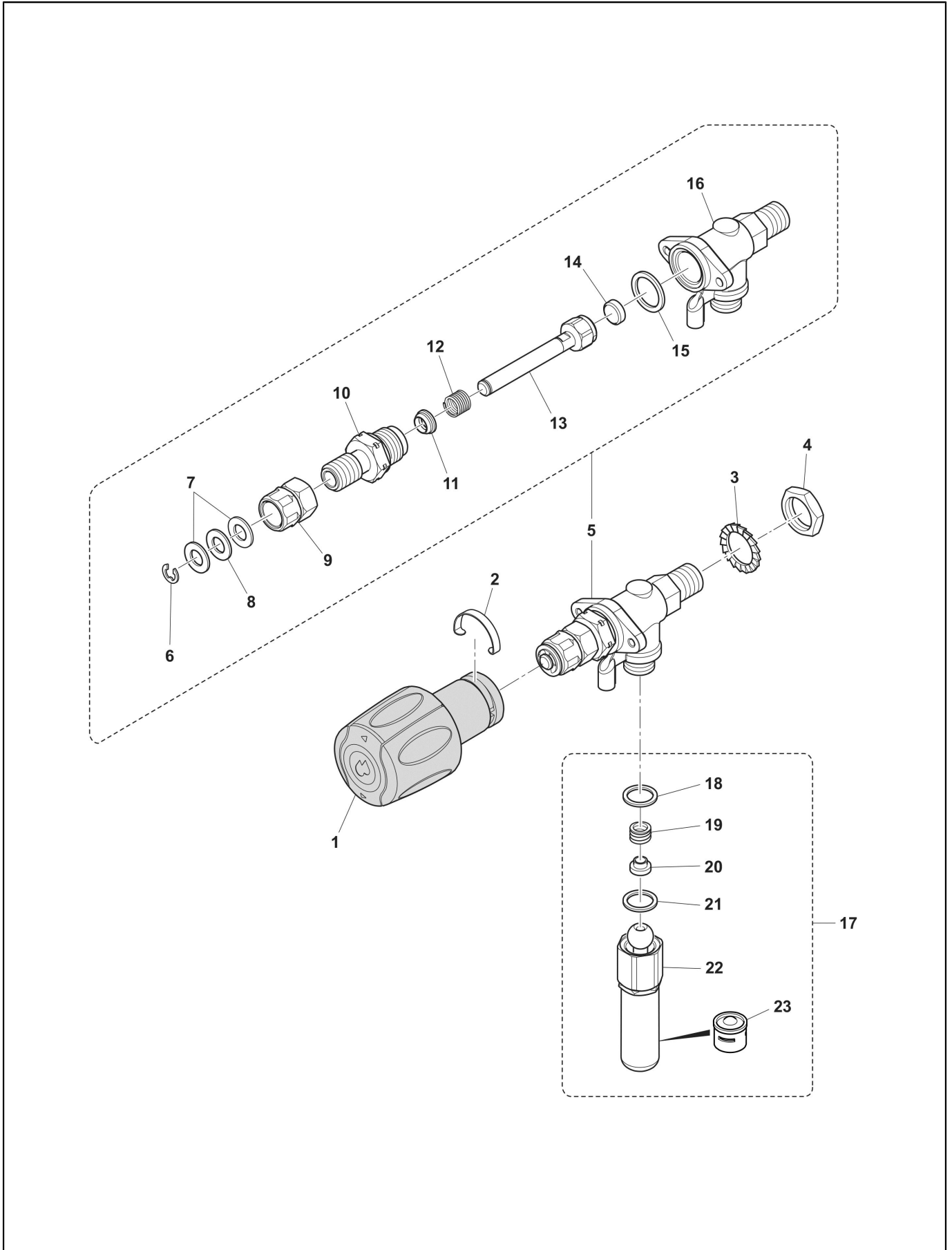
Table 1000_2 - HOUSING TALL.....	4
Table 2007 - STEAM TAP.....	6
Table 2008 - WATER TAP.....	8
Table 2000_3 - IMPIANTO IDRAULICO USB TALL.....	10
Table 2003 - BOILER/MOTOR PUMP.....	12
Table 2004 - GROUP.....	14
Table 3000 - ELECTRIC/ELECTRONIC PARTS USB.....	16
Table 4000 - Clever Steam Tap	18
Alphanumeric index.....	20



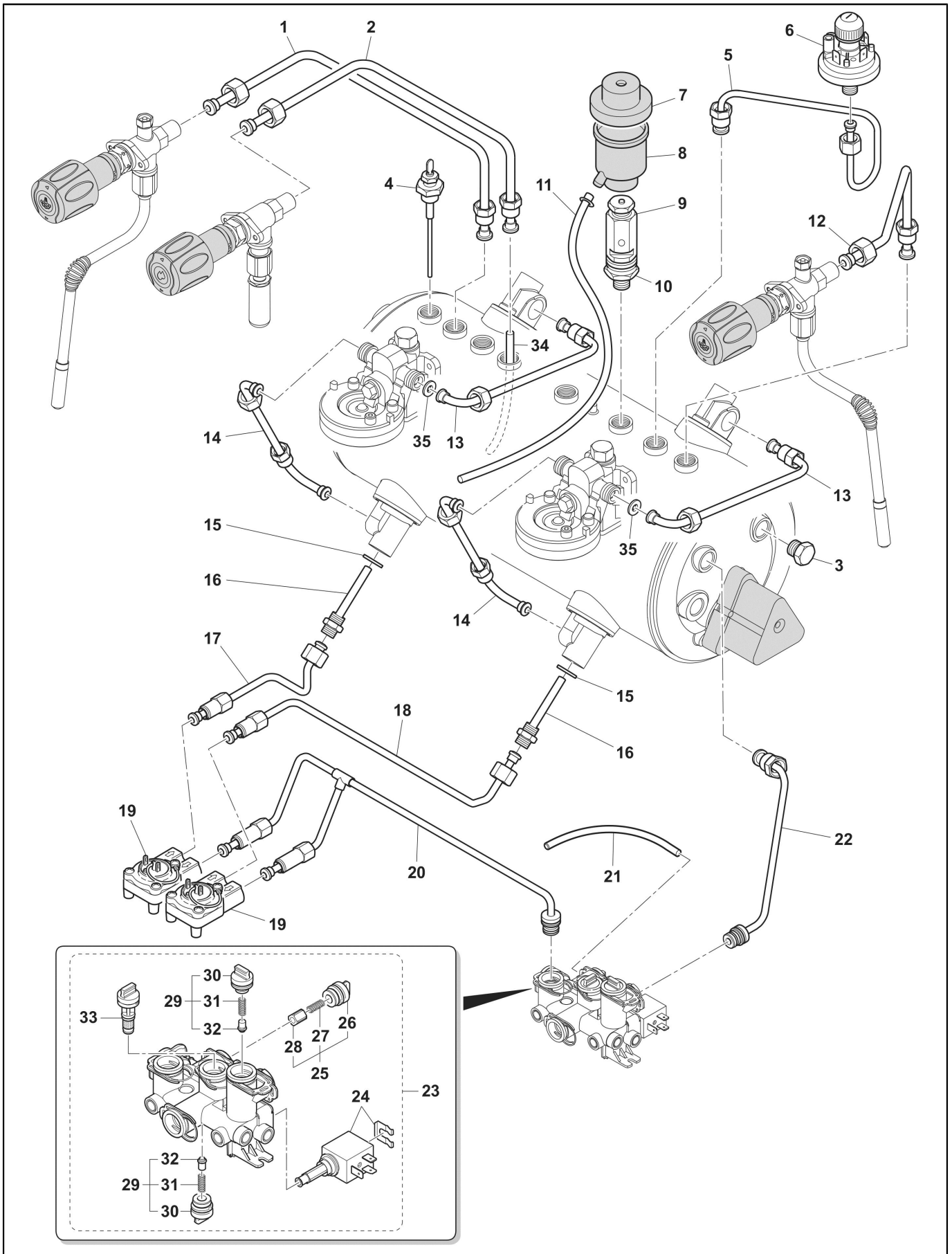
POS.	CODE	DESCRIPTION	NOTES
1	10701188	SIDE PANEL LEFT BLACK CLASSE 5-7/16	
	10701260	SIDE PANEL LEFT WHITE CLASSE 5-7/16	
2	10701187	SIDE PANEL RIGHT BLACK CLASSE 5-7/16	
	10701259	SIDE PANEL RIGHT WHITE CLASSE 5-7/16	
3	32331957	TOP LID 2GR CLASSE 5-7/16	
	32331958	TOP LID 3GR CLASSE 5-7/16	
4	32331960	REAR PANEL 2GR CLASSE 5	
	32331961	REAR PANEL 3GR CLASSE 5	
5	10110427	WIRING FOR CUPWARMER REDUCER	
	10701319	KIT CUPWARMER+SCREWS 2GR	
	10701320	KIT CUPWARMER+SCREWS 3GR	
6	33122002	CUP-WARMER RESISTANCEANCE 230V 2GR	
7	32331926	CONTROL PANEL 2GR CLASSE 5 USB	
	32331927	CONTROL PANEL 3GR CLASSE 5 USB	
8	42200121	RANCILIO PLATE MM 70	
9	38120578	DRAIN TRAY CANALIZER	
10	38123568	COFFEE MACHINE LEG	
	38123852	RISER FOR COFFEE MACHINE LEG	
11	10701331	KIT ASSIEME VASSOIO TALL MC	
12	32332082	MASCHERINA SUP.2GR.C5 TALL-AI-	
13	42200140	CLASSE 5 PLATE	
14	32332079	MASCHERINA INF.2GR.C5 TALL-AI-	
15	38120284	COPRIGRUPPO C5 TALL -PL-	
16	34030110	ROUND ORANGE LAMP	
17	38123666	CUP TRAY MC/07	
18	32331951	CUP TRAY 2GR CLASSE 5	
	32331952	CUP TRAY 3GR CLASSE 5	
19	38120286	SIDE CUP TRAY SUPPORT MC/15	
20	32331936	LOWER PANEL DRAIN TRAY 2GR CLASSE 5	
	32331937	LOWER PANEL DRAIN TRAY 3GR CLASSE 5	
21	10781363	DRAIN TRAY 2GR CLASSE 5	
	10781364	DRAIN TRAY 3GR CLASSE 5	
22	37030521	SCREW M5X12	
23	37154212	SCREW 4,2X13	
24	37030408	SCREW M 4 X 8	
25	37154212	SCREW 4,2X13	
26	38221007	CAP DIAM.11	



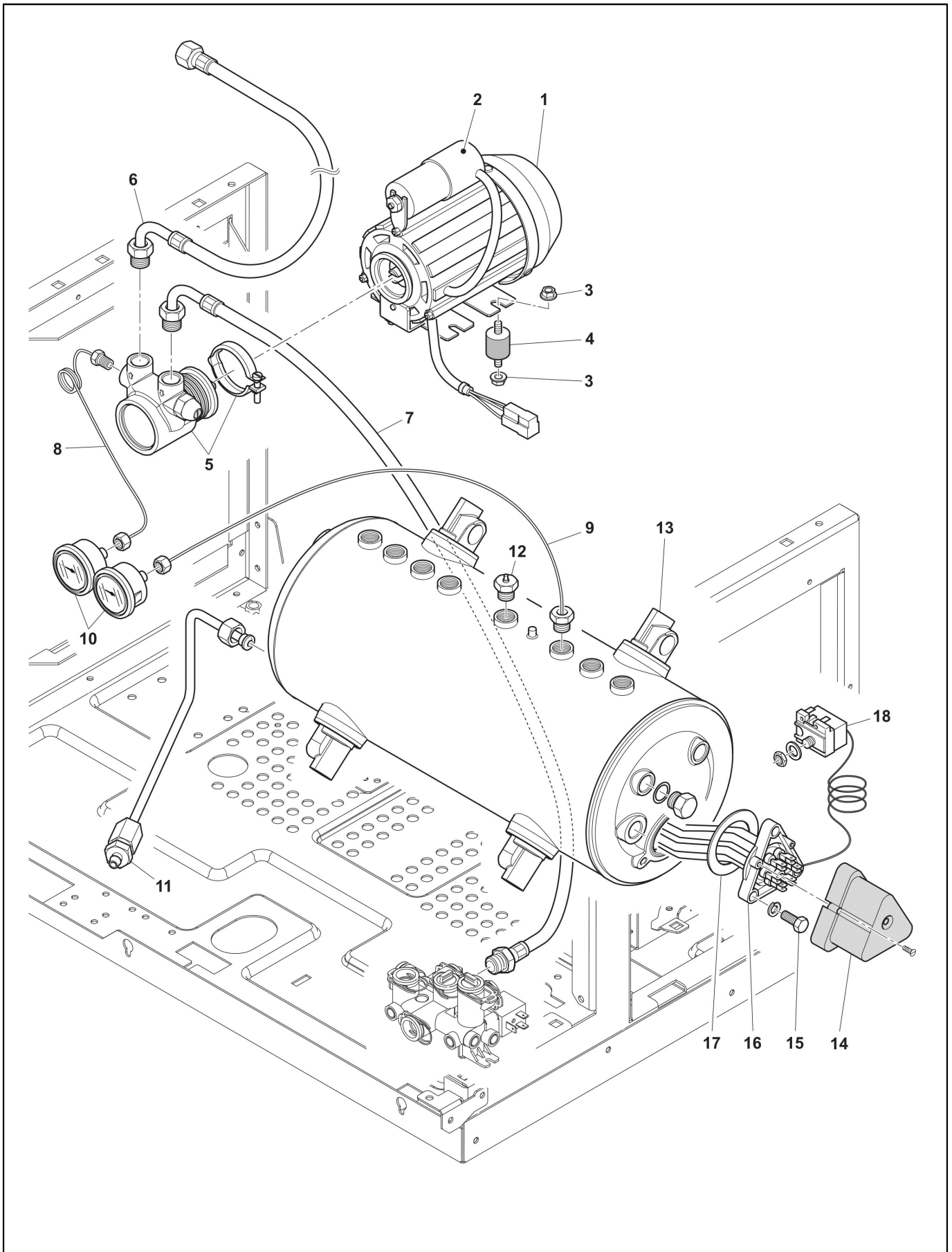
POS.	CODE	DESCRIPTION	NOTES
1	10060189	STEAM HANDLE/16	
2	32210001	STEAM HANDLE SPRING	
3	37431600	OUTER TOOTHED WASHER D16	
4	26220005	FLAT NUT 3/8	
5	10060141	STEAM TAP+A.V. VALVE CLASSE 5/7	
6	37510700	ELASTIC RING D.7	
7	32239044	NEW STEAM COCK WASHER	
8	36230001	TEFLON WASHER	
9	23220029	REG BUSH FOR NEW COCK	
10	23000302	STEM GUIDE PTFE	
11	36990078	SHAFT GASKET FAST TAP	
12	39110035	WATER-STEAM COCK SPRING	
13	10060002	ROD+NUT AND STEAM COCK GASKET	
14	36301105	GASKET FOR NUT STEAM TAP EPDM	
15	27400001	GASKET COPPER COMPASS RE GROUP	
16	10060022	STEAM TAP BODY WITH COMPASS	
17	10705180	KIT AV VALVE STEAM TAP	
18	36404058	ORING 3,68 X 1,78 EPDM 70SH TEFLON	
19	10701387	STEAM WAND+TIP+JUNCTION	
20	10049123	STEAM WAND MC/15	
21	36301105	GASKET FOR NUT STEAM TAP EPDM	
22	39110038	SPRING	
23	36930016	GASKET	
24	36990004	RUBBER FOR STEAM PIPES	
25	36404022	O-RING 6,4 X 1,9 R5A	
26	23212033	NEW SPAYER LG 25	
27	36930017	TEFLON GASKET FOR STEAM WAND NUT	



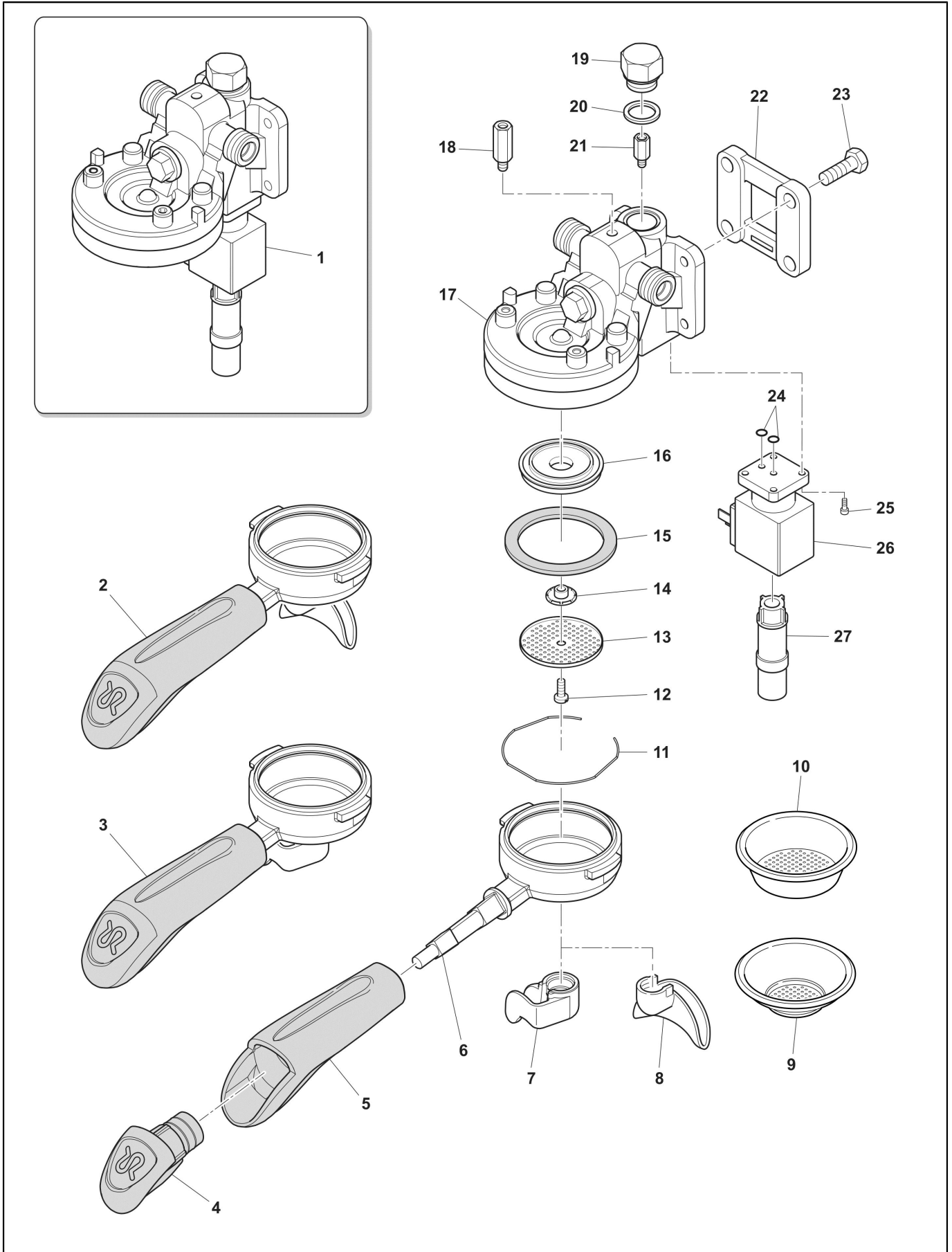
POS.	CODE	DESCRIPTION	NOTES
1	10060188	HOT WATER TAP HANDLE/16	
2	32210001	STEAM HANDLE SPRING	
3	37431600	OUTER TOOTHED WASHER D16	
4	26220005	FLAT NUT 3/8	
5	10060142	WATER TAP CLASSE 5	
6	37510700	ELASTIC RING D.7	
7	32239044	NEW STEAM COCK WASHER	
8	36230001	TEFLON WASHER	
9	23220029	REG BUSH FOR NEW COCK	
10	23000302	STEM GUIDE PTFE	
11	36990078	SHAFT GASKET FAST TAP	
12	39110035	WATER-STEAM COCK SPRING	
13	10060002	ROD+NUT AND STEAM COCK GASKET	
14	36301105	GASKET FOR NUT STEAM TAP EPDM	
15	27400001	GASKET COPPER COMPASS RE GROUP	
16	10060023	STEAM TAP BODY WITH COMPASS+A.V. VALVE	
17	10706027	FLEXIBLE HOT WATER PIPE	
18	36301105	GASKET FOR NUT STEAM TAP EPDM	
19	39110038	SPRING	
20	36930016	GASKET	
21	36930017	TEFLON GASKET FOR STEAM WAND NUT	
22	10049014	NOEPerl MIXING NOZZLE G 3/8	ETL version
	10705079	JETBREAKER+SPRAYER	
23	25135020	WATER SPRAYER FILTER C7	



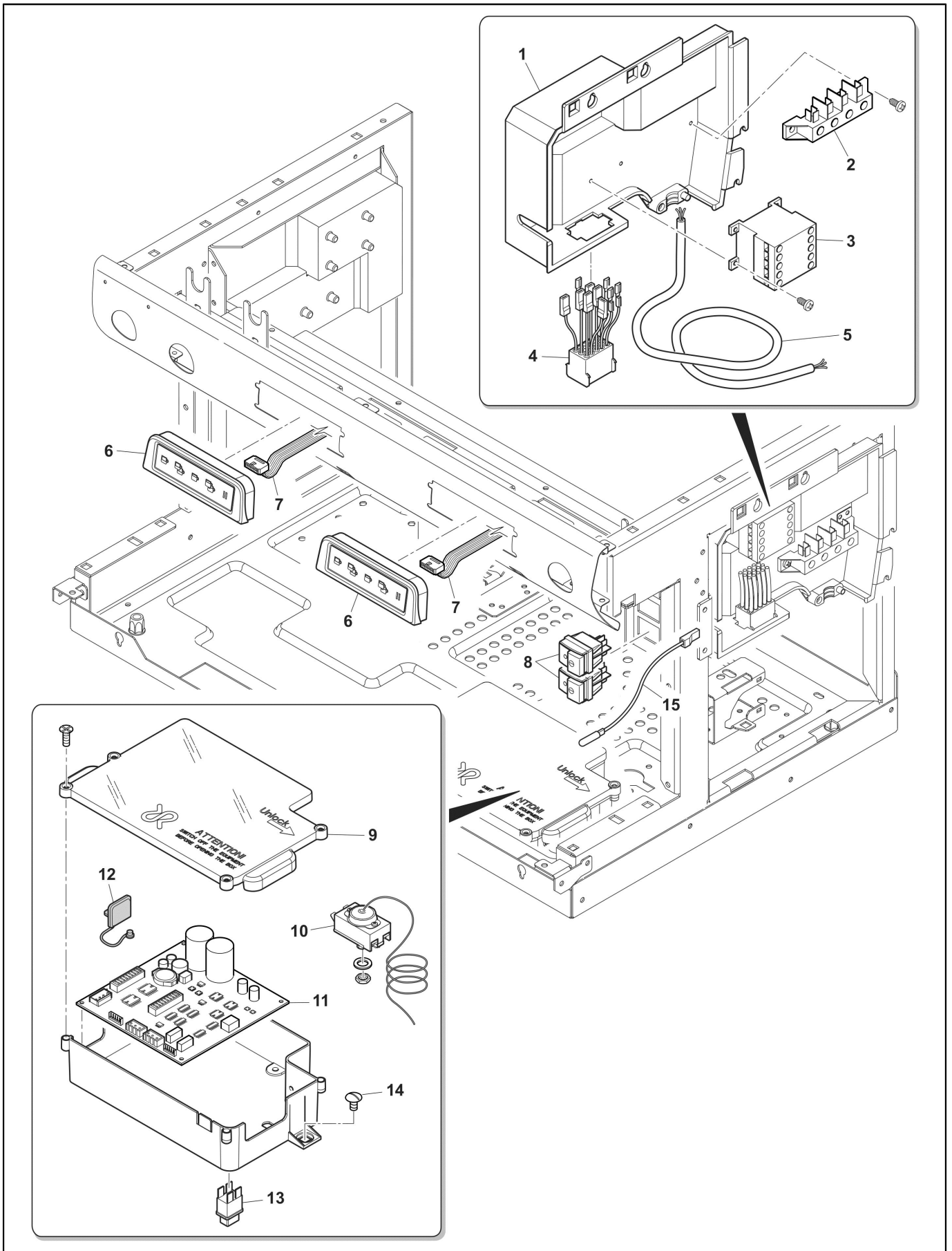
POS.	CODE	DESCRIPTION	NOTES
1	10043120	ECO TUBO 8X6 F3/8-M3/8 PIEGATO-CU-RUB.VAP.SX TALL	
2	10043122	ECO TUBO 8X6 F1/4-M3/8 PIEG.-CU-ACQUA-CALD.C7 TALL	
3	23000232	CAP 3/8 RE/E	
4	34200088	LEVEL PROBE ASSEMBLY	
5	10042166	ECO TUBO 6X4 F1/4-M3/8 PIEGATO-CU-PRESS-CALDAIA	
6	34200356	MECHANICAL MONOPHASE PRESSURE SWITCH	
7	38123946	SECURITY VALVE TOP	
8	38123947	DRAIN TANK SECURITY VALVE	
9	10060525	SAFETY VALVE	
10	23000359	SAFETY VALVE EXTENSION	
11	38228003	SILICONE HOSE D. 9 X 6MML = 480 MM	
12	10043119	ECO TUBO 8X6 F3/8-M3/8 PIEGATO-CU-RUB.VAP.DX TALL	
13	10044097	PIPE CIRCULATION UPPER F1/2-M1/2 MC/15	
14	10044098	PIPE CIRCULATION LOWER F1/2-M1/2 MC/15	
15	27350001	GASKET 3/8 X 1 COPPER GAS	
16	10042004	INJECTION PIPE 127	
17	10042153	ECO TUBO 6X4 VENT-SCAMB.SX F1/4-M1/4 TALL	
18	10042154	ECO TUBO 6X4 VENT-SCAMB.CENTR.F1/4-M1/4 TALL	
	10042155	ECO TUBO 6X4 VENT-SCAMB.DX F1/4-M1/4 TALL	
19	34070060	FLOWMETER HORIZ. CONNECTION	
20	10046079	ECO TUBO COLLETT-VENTOL.2GR. MC/15	
	10046080	ECO TUBO COLLETT-VENTOL.3GR. MC/15	
	36404052	O-RING 9,16 X 2,62 F 3037	
21	38228002	SILICONE HOSE D. 9 X 6MML = 560 MM	
22	10042152	ECO TUBO 6X4 SN-M3/8 PIEGATO-CU-CARICO ACQUA TALL	
	36404052	O-RING 9,16 X 2,62 F 3037	
23	10701245	HYDRO HUB 120V 60HZ	
	10701246	HYDRO HUB 230V	
24	69140014	OPERATOR KIT 220-240V HYDRAULIC MODULE	
	69140015	OPERATOR KIT 110-120V HYDRAULIC MODULE	
25	69140009	PRESSURE RELIEF VALVE HYDRAULIC MODULE	
26	69140019	PRESSURE RELIEF VALVE CAP	
27	69140010	SPRING PRESSURE RELIEF VALVE HYDRAULIC MODULE	
28	69140011	PLUNGER PRESSURE RELIEF VALVE HYDRAULIC MODULE	
29	69140007	CHECK VALVE HYDRAULIC MODULE	
30	69140016	CHECK VALVE CAP	
31	69140018	CHECK VALVE SPRING	
32	69140017	CHECK VALVE PISTON	
33	69140006	FILTER HYDRAULIC MODULE	
34	27120130	HOT WATER SUCTION PIPE	
35	23125009	GROUP RESTRICTION 3.5MM	



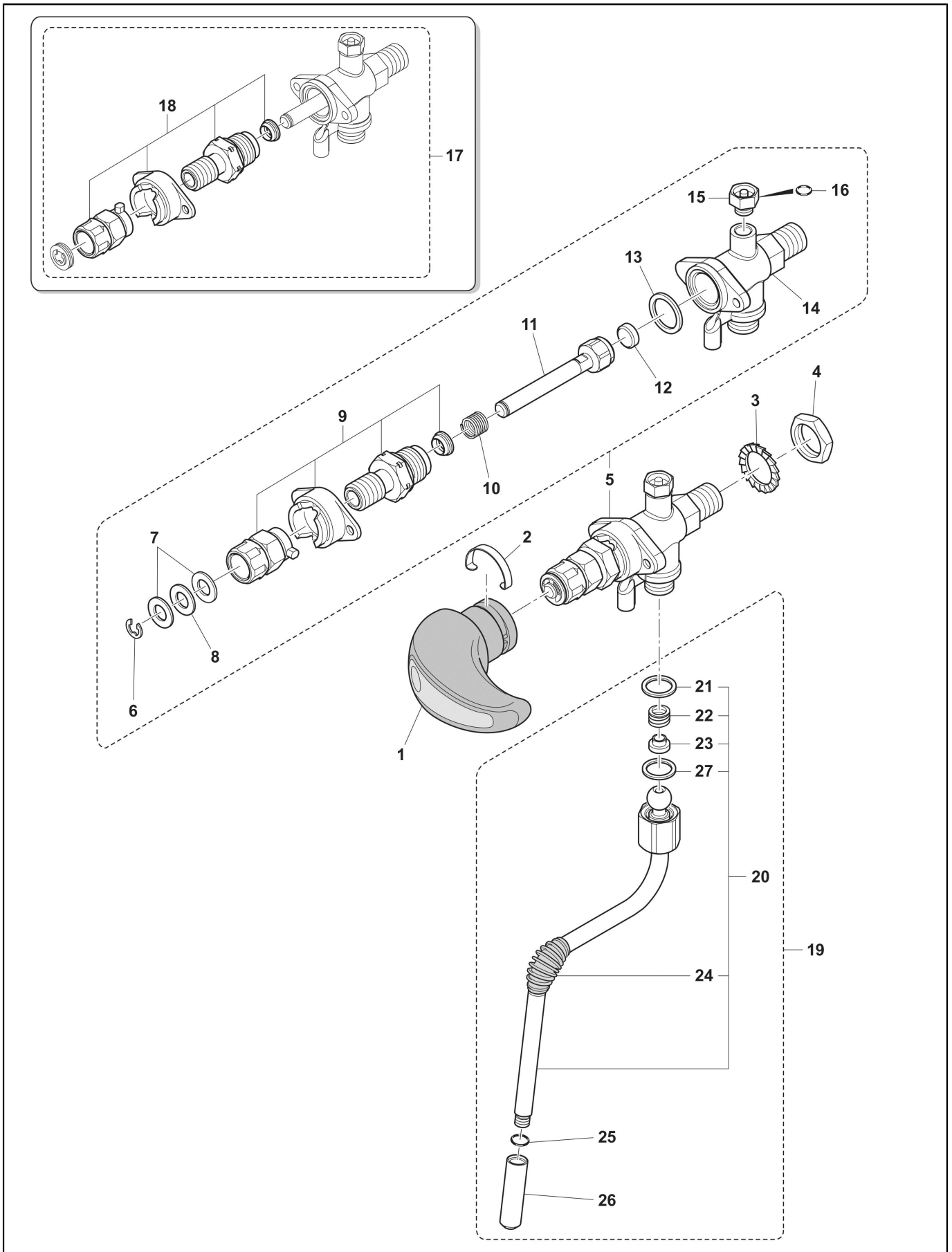
POS.	CODE	DESCRIPTION	NOTES
1	34011102	VM MOTOR 230V	
2	34020014	L6 CONDENSER VM V.220	
3	80134961	NUT M6	
4	36322003	ANTI-VIBRATING DEVICE	
5	69000993	VOLUMETRIC PUMP VM 200L/H "RANCILIO";	
6	69000734	FLEX PIPE MM1800 WITH ELBOW+CHECK VALVE	
	69000735	FLEX PIPE MM2300 WITH ELBOW+CHECK VALVE	
7	69000826	FLEX PIPE 3/8M-HYDRO HUB 960MM BEND	
	69000827	FLEX PIPE 3/8M-HYDRO HUB 1190MM BEND	
8	69000243	PIPE CAPILLARY MANOMETER F1/8-M1/8	
9	10041042	PIPE 4 X 3 MML = 600 MM	
10	35002512	GAUGE BOILER MC/15	
	35002513	GAUGE PUMP MC/15	
11	10043007	BOILER DISCHARGE PIPE COMPL.	VERSIONE CON SCARICO LATERALE VERSION WITH SIDE DRAIN
	10043020	ECO TUBO 8X6 SCARICO CALDAIA MC COMPLETO	VERSIONE PER SCARICO CENTRALE VERSION WITH CENTRAL DRAIN CONNECTION
12	10060061	EVO ANTIVACUUM SOLENOID	
13	10701376	BOILER RETROFIT KIT 2GR	
	10701377	BOILER RETROFIT KIT 3GR	
	10701397	RETROFIT KIT CALDAIA 2GR NICHELATA	
	10701398	RETROFIT KIT CALDAIA 3GR NICHELATA	
14	38123665	COVER HEATING ELEMENT	
15	37040821	SCREW M 8X22	
16	33323004	HEATING ELEMENT CAPILL. 230V/4300W	
	33323006	HEATING ELEMENT+CAPILLAR 230V 6000W	
17	36930012	GASKET RESISTANCE TEFLON	
18	34200329	SALVARES.TECASA CON TAPPO IN METALLO	



POS.	CODE	DESCRIPTION	NOTES
1	10051191	BREWING GROUP VERT. JET 230V	
	10051192	BREWING GROUP VERT. JET 110V	
2	10071137R	PORTAF.MC/09 2DOSI CONFEZIONATO	
3	10071118R	PORTAF.MC/09 1DOSE CONFEZIONATO	
4	10705535	FILTERHOLDER CAP WITH RING	
5	10705091	KIT FILTER HOLDER TAP 07	
6	20112211	FILTER HOLDER BODY MC/09	
7	21102601	1 CUP BEAK MC/09	
8	21100801	2 CUP BEAK MC/09	
9	40100001	1 CUP FILTER LOW	
	40100005	1 DOSE DEEPER FILTER	
	40100101	1 CUP CALIBRATED FILTER	
10	40100010	2 CUP FILTER	
	40100090	DEEPER 2 CUP FILTER	
	40100102	2 CUP CALIBRATED FILTER	
	40100103	DEEPER FILTER 2 CUP CALIBRATED	
11	25105005	FIX.FILTER SPRING	
12	37030518	SHOWER SCREW	
13	40200005	SHOWER NET	
14	25139001	GROUP JETBREAKER	
15	36301046	GROUP GASKET PEROSSIDICA HP	
16	20200182	SHOWER HOLDER BRASS	
	20200182N	SHOWER HOLDER NICKEL PLATE	
	20200183	SHOWER SCREEN HOLDER LOW PROFILE	
	20200183N	REDUCED SHOWER HOLDER NICKEL	
17	20200053N	BREWING GROUP BODY VERT. JET NICKEL	
	20200053P	BREWING GROUP BODY VERT. JET	
18	23000311	SPACER M6 X 30	
	37040611	INOX SCREW M 6 X 10	
19	23000227	GROUP JET CAP	
20	27400002	BREWING CHAMBER TAP GASKET	
21	10060612	BREWING GROUP FLOW LIMITER ASSY.	
22	21300710	GROUP SPACE SLEEVE	
23	37040830	SCREW M 8X30	
24	36402005	O-RING ELECTROVALVE	
25	37060413	SCREW M 4 X 12	
26	34040149	ELECTROVALVE 3/2 WAY UL 208-240 SIRAI	
	34040150	ELECTROVALVE 3/2 WAYS 110-120V UL SIRAI	
27	10090002	THERM.GROUP JETBREAKER	



POS.	CODE	DESCRIPTION	NOTES
1	10110900	ELECTRIC BOX 230V MC/16	
2	34150026	CLAMP 4 POSITION	
3	34200333	MINI-CONTACTOR ABB 220/240V	
4	10110655	WIRING POWER	
5	34300073	CABLE	
6	10701189	COFFEE KEYBOARD CLASSE 5 USB	
7	10110923	KEYBOARD WIRING 2GR CLASSE 5-7 USB 1POS.	2gr: 1st group
	10110924	KEYBOARD WIRING 2-3GR CLASSE 5	2gr: 2nd group 3gr: 1st group
	10110925	KEYBOARD WIRING 3GR CLASSE 5-7 USB 2POS.	3gr: 2nd group
	10110927	KEYBOARD WIRING 4GR CLASSE 5-7 USB 3POS.	3gr: 3rd group
8	34030971	SWITCH GREEN LIGHT	
9	38120582	MAIN BOARD LID MC/15	
10	10701396	SALVARESISTENZA TECASA CON DADI	
11	10701308	KIT MAIN BOARD C5 USB 230V	
	10701329	KIT USB BOARD CLASSE 5 110V	
12	10110907	ELECTRONIC BOX 230V CLASSE 5 USB	
	38120519	USB DRIVE CAP	
13	34030145	MAIN SWITCH	
14	34200103	PLASTIC CLOSING SCREW	
15	34030116	NEON LAMP	



POS.	CODE	DESCRIPTION	NOTES
1	10060181	HANDLE CLEVER	
2	32210001	STEAM HANDLE SPRING	
3	37431600	OUTER TOOTHED WASHER D16	
4	26220005	FLAT NUT 3/8	
5	10060140	CLEVER STEAM TAP RIGHT+A.V. VALVE	
6	37510700	ELASTIC RING D.7	
7	32239044	NEW STEAM COCK WASHER	
8	36230001	TEFLON WASHER	
9	10701239	KIT CLEVER/15 CAMS PEEK RIGHT	
10	39110035	WATER-STEAM COCK SPRING	
11	10060002	ROD+NUT AND STEAM COCK GASKET	
12	36301105	GASKET FOR NUT STEAM TAP EPDM	
13	27400001	GASKET COPPER COMPASS RE GROUP	
14	10060022	STEAM TAP BODY WITH COMPASS	
15	10705180	KIT AV VALVE STEAM TAP	
16	36404058	ORING 3,68 X 1,78 EPDM 70SH TEFLON	
17	10060139	CLEVER STEAM TAP LEFT+A.V. VALVE	
18	10701240	KIT CLEVER/15 CAMS PEEK LEFT	
19	10049125		
20	10049123	STEAM WAND MC/15	
21	36301105	GASKET FOR NUT STEAM TAP EPDM	
22	39110038	SPRING	
23	36930016	GASKET	
24	36990004	RUBBER FOR STEAM PIPES	
25	36404022	O-RING 6,4 X 1,9 R5A	
26	23212035	STEAM SPRAYER LG44 D1.5	
27	36930017	TEFLON GASKET FOR STEAM WAND NUT	

Code	No. table	Pos.
10041042	2003	9
10042004	2000_3	16
10042152	2000_3	22
10042153	2000_3	17
10042154	2000_3	18
10042155	2000_3	18
10042166	2000_3	5
10043007	2003	11
10043020	2003	11
10043119	2000_3	12
10043120	2000_3	1
10043122	2000_3	2
10044097	2000_3	13
10044098	2000_3	14
10046079	2000_3	20
10046080	2000_3	20
10049014	2008	22
10049123	2007	20
10049123	4000	20
10049125	4000	19
10051191	2004	1
10051192	2004	1
10060002	2007	13
10060002	2008	13
10060002	4000	11
10060022	2007	16
10060022	4000	14
10060023	2008	16
10060061	2003	12
10060139	4000	17
10060140	4000	5
10060141	2007	5
10060142	2008	5
10060181	4000	1
10060188	2008	1
10060189	2007	1
10060525	2000_3	9
10060612	2004	21
10071118R	2004	3
10071137R	2004	2
10090002	2004	27
10110427	1000_2	5
10110655	3000	4
10110900	3000	1
10110907	3000	12
10110923	3000	7
10110924	3000	7
10110925	3000	7
10110927	3000	7
10701187	1000_2	2
10701188	1000_2	1
10701189	3000	6
10701239	4000	9
10701240	4000	18
10701245	2000_3	23
10701246	2000_3	23
10701259	1000_2	2
10701260	1000_2	1
10701308	3000	11
10701319	1000_2	5
10701320	1000_2	5
10701329	3000	11
10701331	1000_2	11
10701376	2003	13
10701377	2003	13
10701387	2007	19
10701396	3000	10

Code	No. table	Pos.
10701397	2003	13
10701398	2003	13
10705079	2008	22
10705091	2004	5
10705180	2007	17
10705180	4000	15
10705535	2004	4
10706027	2008	17
10781363	1000_2	21
10781364	1000_2	21
20112211	2004	6
20200053N	2004	17
20200053P	2004	17
20200182	2004	16
20200182N	2004	16
20200183	2004	16
20200183N	2004	16
21100801	2004	8
21102601	2004	7
21300710	2004	22
23000227	2004	19
23000232	2000_3	3
23000302	2007	10
23000302	2008	10
23000311	2004	18
23000359	2000_3	10
23125009	2000_3	35
23212033	2007	26
23212035	4000	26
23220029	2007	9
23220029	2008	9
25105005	2004	11
25135020	2008	23
25139001	2004	14
26220005	2007	4
26220005	2008	4
26220005	4000	4
27120130	2000_3	34
27350001	2000_3	15
27400001	2007	15
27400001	2008	15
27400001	4000	13
27400002	2004	20
32210001	2007	2
32210001	2008	2
32210001	4000	2
32239044	2007	7
32239044	2008	7
32239044	4000	7
32331926	1000_2	7
32331927	1000_2	7
32331936	1000_2	20
32331937	1000_2	20
32331951	1000_2	18
32331952	1000_2	18
32331957	1000_2	3
32331958	1000_2	3
32331960	1000_2	4
32331961	1000_2	4
32332079	1000_2	14
32332082	1000_2	12
33122002	1000_2	6
33323004	2003	16
33323006	2003	16
34011102	2003	1
34020014	2003	2
34030110	1000_2	16

Code	No. table	Pos.
34030116	3000	15
34030145	3000	13
34030971	3000	8
34040149	2004	26
34040150	2004	26
34070060	2000_3	19
34150026	3000	2
34200088	2000_3	4
34200103	3000	14
34200329	2003	18
34200333	3000	3
34200356	2000_3	6
34300073	3000	5
35002512	2003	10
35002513	2003	10
36230001	2007	8
36230001	2008	8
36230001	4000	8
36301046	2004	15
36301105	2007	14
36301105	2007	21
36301105	2008	14
36301105	2008	18
36301105	4000	12
36301105	4000	21
36322003	2003	4
36402005	2004	24
36404022	2007	25
36404022	4000	25
36404052	2000_3	20
36404052	2000_3	22
36404058	2007	18
36404058	4000	16
36930012	2003	17
36930016	2007	23
36930016	2008	20
36930016	4000	23
36930017	2007	27
36930017	2008	21
36930017	4000	27
36990004	2007	24
36990004	4000	24
36990078	2007	11
36990078	2008	11
37030408	1000_2	24
37030518	2004	12
37030521	1000_2	22
37040611	2004	18
37040821	2003	15
37040830	2004	23
37060413	2004	25
37154212	1000_2	23
37154212	1000_2	25
37431600	2007	3
37431600	2008	3
37431600	4000	3
37510700	2007	6
37510700	2008	6
37510700	4000	6
38120284	1000_2	15
38120286	1000_2	19
38120519	3000	12
38120578	1000_2	9
38120582	3000	9
38123568	1000_2	10
38123665	2003	14
38123666	1000_2	17

Code	No. table	Pos.
38123852	1000_2	10
38123946	2000_3	7
38123947	2000_3	8
38221007	1000_2	26
38228002	2000_3	21
38228003	2000_3	11
39110035	2007	12
39110035	2008	12
39110035	4000	10
39110038	2007	22
39110038	2008	19
39110038	4000	22
40100001	2004	9
40100005	2004	9
40100010	2004	10
40100090	2004	10
40100101	2004	9
40100102	2004	10
40100103	2004	10
40200005	2004	13
42200121	1000_2	8
42200140	1000_2	13
69000243	2003	8
69000734	2003	6
69000735	2003	6
69000826	2003	7
69000827	2003	7
69000993	2003	5
69140006	2000_3	33
69140007	2000_3	29
69140009	2000_3	25
69140010	2000_3	27
69140011	2000_3	28
69140014	2000_3	24
69140015	2000_3	24
69140016	2000_3	30
69140017	2000_3	32
69140018	2000_3	31
69140019	2000_3	26
80134961	2003	3



Headquarters, Production Plant and R&D Centers

Rancilio Group s.p.a.

Viale della Repubblica 40
20010 Villastanza di Parabiago
Milano - Italy
Tel +39 0331 408200
Fax +39 0331 551437
www.ranciliogroup.com
info@ranciliogroup.com

Egro Suisse AG

Bahnhofstrasse 66
5605 Dottikon, Switzerland
Tel. +41 (0)56 616 95 95
Fax +41 (0)56 616 95 97
www.egrocoffee.com
info@egrocoffee.com

Worldwide Branch Locations

SPAIN

RancilioGroup Espana, s.a.
Gran Via de Carlos III, 84 3ª
Edificio Trade
08028 Barcelona - Spain
Tel. +34 902 884 275
Tel. +34 934 923 414
Fax +34 934 965 701
www.ranciliogroup.com
info-es@ranciliogroup.com

PORTUGAL

Rancilio Group Portugal Lda
Estrada da Falagueira nº 68 E
2700-365 Amadora-Lisboa - Portugal
Tel. +351 21 019 10 91
Fax +351 21 019 10 91

Rua Nova do Seixo 1282
4465-706 Leça do Balio-Porto - Portugal
Tel. +351 22 010 14 19
Fax +351 22 010 14 19
www.ranciliogroup.com
info-pt@ranciliogroup.com

GERMANY

Rancilio Group Deutschland GmbH
Talstrasse 27
97990 Weikersheim - Germany
Ph. +49 7934 99 29 30
Fax +49 7934 99 29 330
www.ranciliogroup.de
info-de@ranciliogroup.com

SWITZERLAND

Egro Suisse AG
Bahnhofstrasse 66
5605 Dottikon - Switzerland
Tel. +41 (0)56 616 95 95
Fax +41 (0)56 616 95 97
www.egrosuisse.ch
info@egrosuisse.ch

USA/CANADA

Rancilio Group North America Inc.
1340 Internationale Parkway / Suite 200
Woodridge, IL 60517 - U.S.A.
Ph: +1 630 914 7900
Fax: +1 630 914 7901
Toll Free: +1 877 726 2454
www.ranciliogroup.com
info@ranciliogroupna.com

