

# E1 Prima

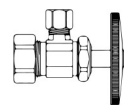
Installation Requirements

VOLTAGE COFFEE SUPPLY  
Free Shipping - Free Installation  
Satisfaction Guaranteed!  
www.voltagecoffeesupply.com



## Water (if using direct connection)

- 3/8" dedicated cold water line with shut-off valve and compression fitting.
- Water hardness cannot exceed 3gpg or 50 ppm. If water hardness exceeds 3gpg a water softener must be installed.
- Minimum incoming water flow rate of 35 GPH and maximum line pressure of 70 PSI / 5 BAR.



Shut off valve



Nema 5-15 (receptacle)

## Power

- Volts: 110 (range of 110-115)
- Watts: 2800
- Amp draw: 15
- Receptacle: Nema 5-15

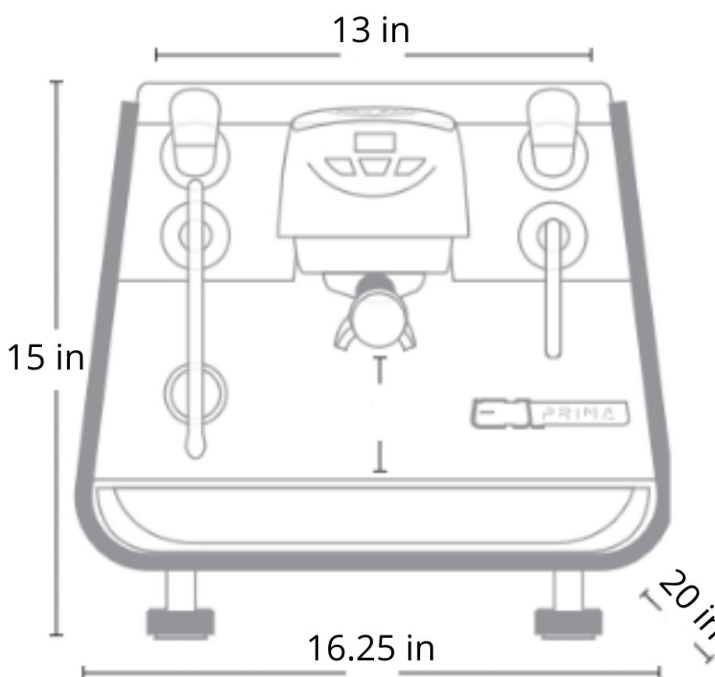
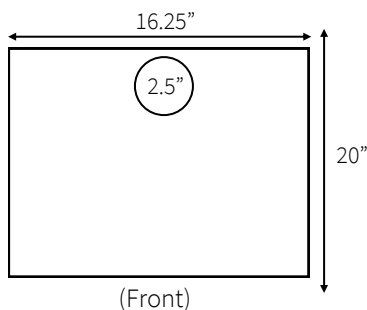
## Drain

- Open gravity drain of minimum 1.25" I.D., within 4 feet of the machine.

## Counter Space

- Height: 15 inches
- Depth: 20 inches
- Width: 16.25 inches

Countertop Drain Hole Location  
(NA if using only tank)



I, the customer, understand that these requirements must be in when the installer arrives. Failure to have the site ready will result in additional service and travel charges, and may cause further delays in installation.

Customer Name: \_\_\_\_\_ Signature: \_\_\_\_\_

Company Name: \_\_\_\_\_

Phone: \_\_\_\_\_ Email: \_\_\_\_\_