

Office Leva espresso machine pre-install pack



Leva

Thank you for selecting the Leva from the Crem Expobar range of high quality traditional espresso machines. To ensure that your new machine will give you years of trouble free service, then please take the time to ensure that all of the requirements within this information pack are followed and that the pre-installation check list is completed and returned.

Office is a small and compact espresso machine that goes just as well in the office as at home. despite its size in the office as at home. despite its size, the machine is, of course, built with the same well-tested technology and genuine craftsmanship as all the other Expobar machines. the Office machine comes in a number of models in order to fit in wherever you wish to serve espresso. thanks to Office, the perfect espresso can be prepared in most

Features

Office comes with one group head and one boiler as standard. One of the Office models, however, is available with dual boiler system: one boiler for steam, hot water and to pre-heat the water entering to the boiler the second boiler keeps the right temperature of water for the extraction of coffee. this allows to make coffee and use steam at any time! this model comes complete with the latest generation Pid sensor to guarantee a consistent brewing temperature.



display to adjust the temperature

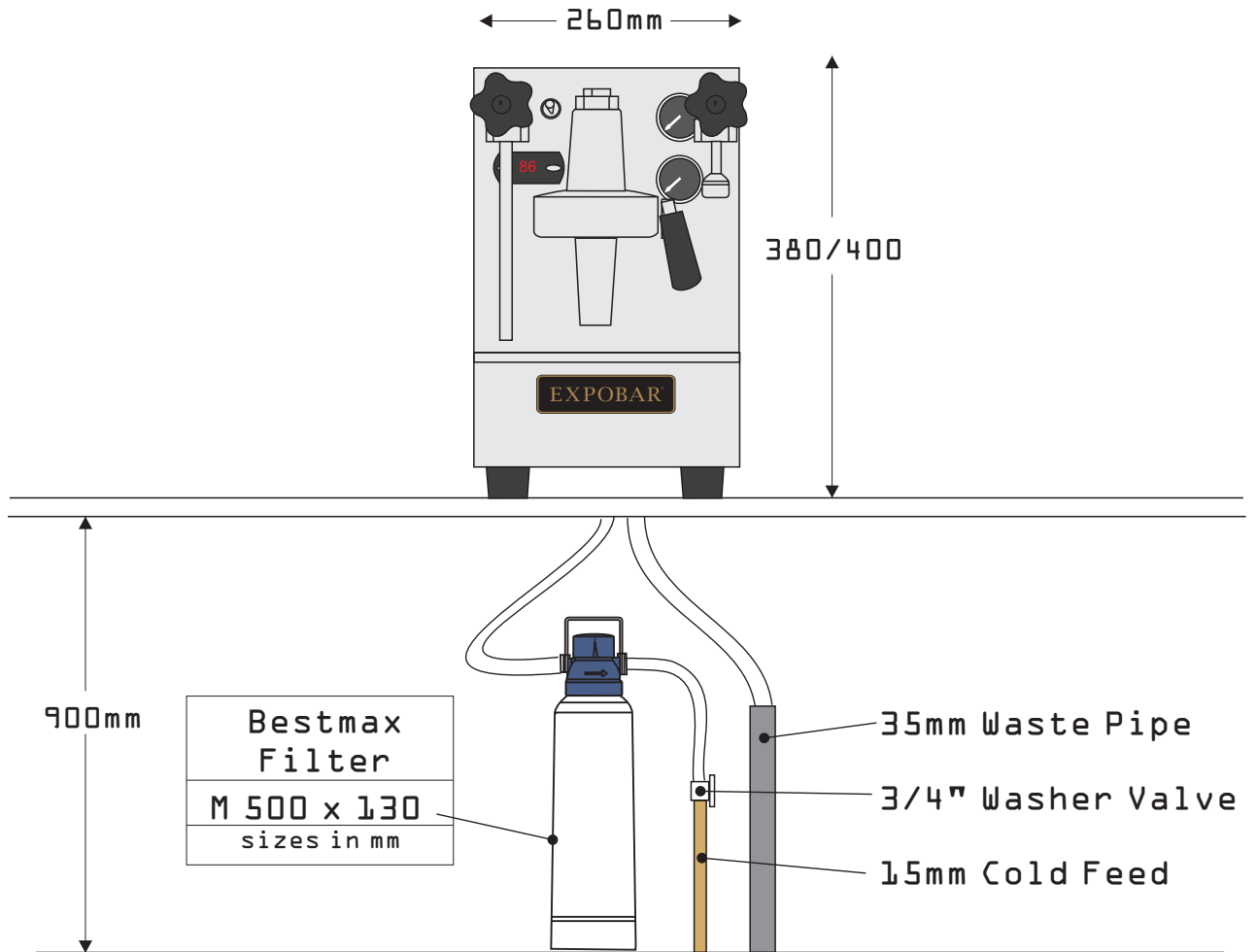


two pressure gauge

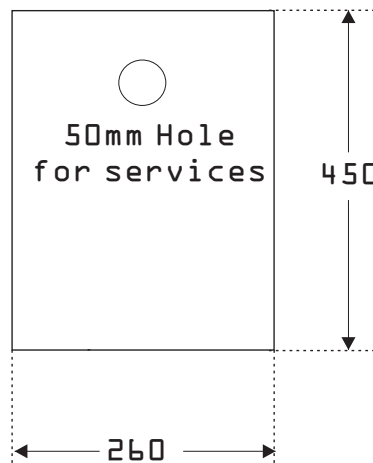


Components of the highest quality

Office Leva espresso machine pre-install pack



hole location through counter



technical specifications

Group	Power supply	Boiler (litres)	Width mm	Depth mm	Height mm	Weight
1 Group Leva EB-61	1200W/230V	1.5	260	450	380	15kg
1 Group Leva EB-61, 2 Boilers	1200W/230V	1.5 + 1.5	260	450	400	17kg

Office Leva espresso machine pre-install pack

technical specifications

Group	Power Connection	Width mm	Depth mm	Height mm	Weight
1 Group Leva EB-61	13A Socket	260	450	380	15kg
1 Group Leva EB-61, 2 Boilers	13A Socket	260	450	400	17kg

pre-install check list

Electrical supply socket within 1 metre with unrestricted access.

Work top area complete and with space for machine

The electrical and water supplies are working?

Is there coffee and cups on site so the engineer can commission the machine?

Are there any site access issues that the engineer should be made aware of?

install address:

install date req. / /

name: _____

telephone: _____

plumbed version

Has 50mm diameter hole been made through work top for pipes/cables.

Space for water filter under work top (see Bestmax dimensions on p2)

35mm Trapped Waste Under work top within 1 metre

15 mm Dedicated cold water supply within 1 metre with 3/4" washer tap.

Please sign and date the declaration below to confirm all the above is correct, and please fax or post back to Crem International UK Ltd. If for any reason the engineer can not install the machine on your preferred date due to any of the above being false, a recall charge of £120.00 + Vat will be become payable.

**Crem International UK Ltd
Unit 3b Bentley Wood Way
Network 65 Business Park
Burnley, Lancashire, BB11 5ST.**

signed: _____

date: / / _____

Office Leva espresso machine pre-install pack



Office Leva 1 Group

technical specifications

Group	Power supply	Boiler (litres)	Width mm	Depth mm	Height mm	Weight
1 Group Leva EB-61	1200W/230V	1.5	260	450	380	15kg
1 Group Leva EB-61, 2 Boilers	1200W/230V	1.5 + 1.5	260	450	400	17kg

Crem International UK Ltd
Unit 3b Bentley Wood Way
Network 65 Business Park
Burnley, Lancashire, BB11 5ST.

Tel. 01282 458473 Fax. 01282 450355
www.creminternational.co.uk

