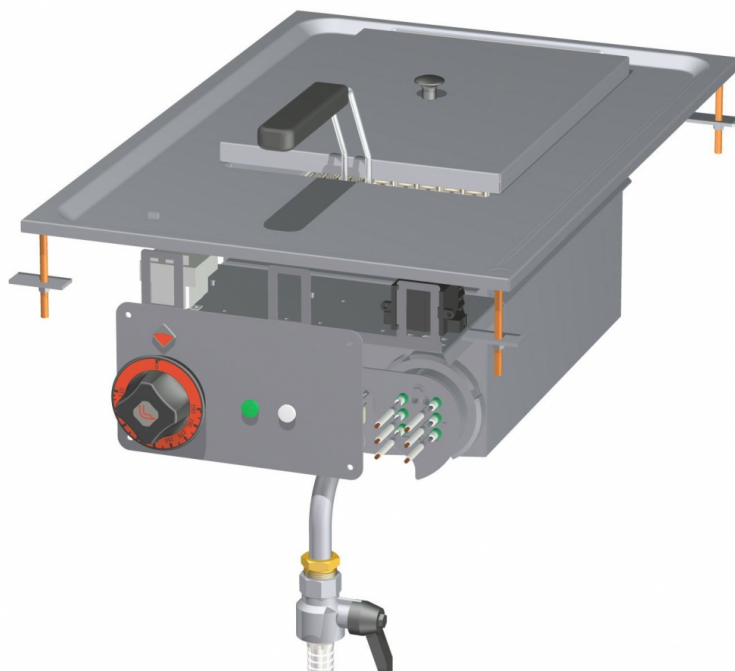


F10D-64ET

ELECTRIC FREELOTUS

ELECTRIC FRYERS 60

Fryer threephase 10 lts - Bowl cm.
22x35x23h - 1 basket cm. 20x30x10h. Sieve
and lid for pan. Production: 10 kg/h



Construction - Fabricated using CrNi 18/10 AISI 304 grade Stainless Steel Scotch-Brite Satin polish Finish, incorporating 2 mm thick worktop, chromed details. Model - Professional Electric Fryer. With single or Double tank to include both basket and lids, tank filter with basket support. Double Thermostat for operating and over heat safety. Maintenance - Easy tank cleaning by rotating heating element. Fittings - Fixing system.



ITALIAN CULINARY ART

The pictures are purely representative. The manufacturer reserves the right to modify the technical data and models without previous notice.

F10D-64ET

ELECTRIC FREELOTUS

ELECTRIC FRYERS 60

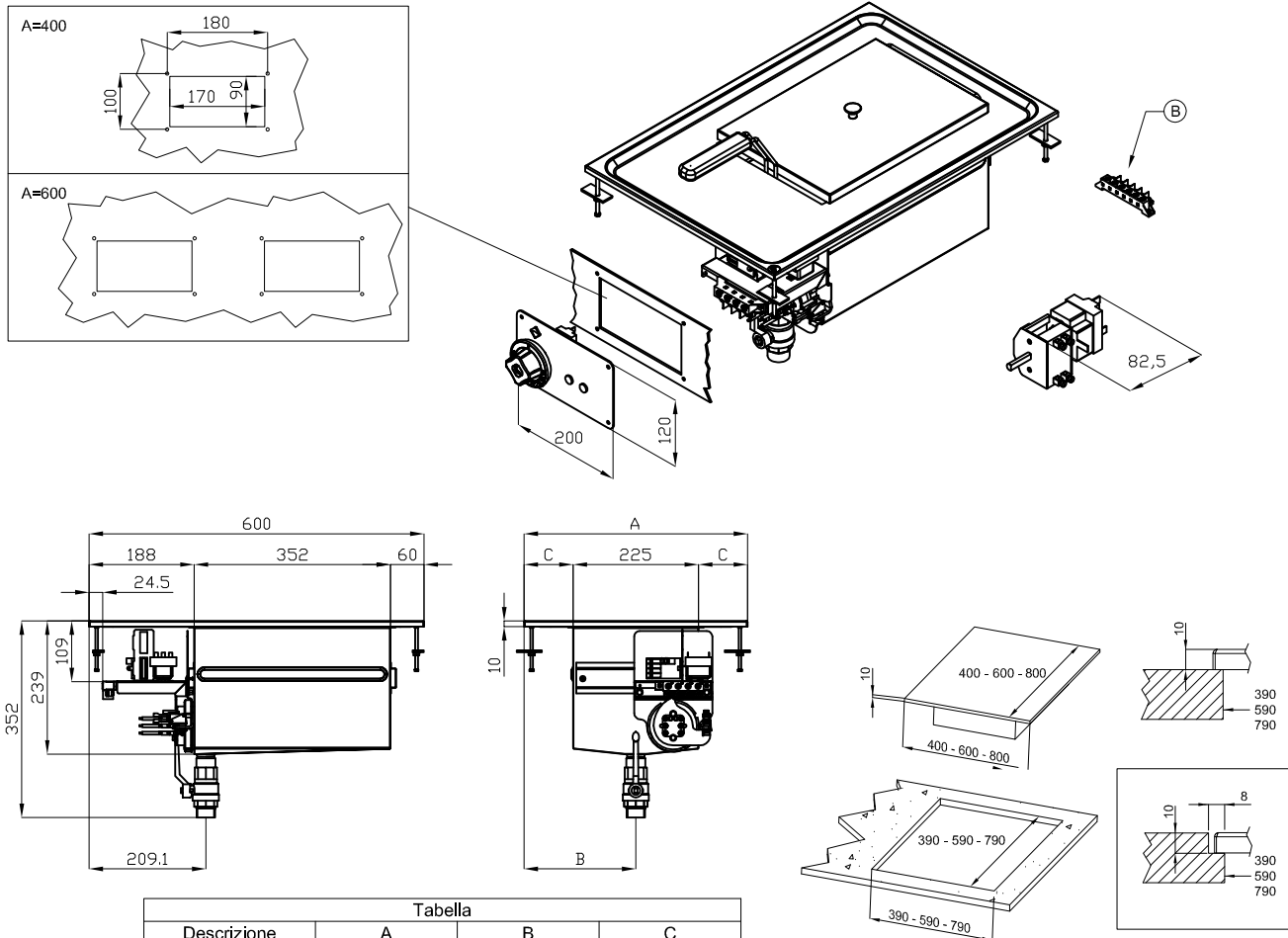
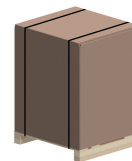


Tabella			
Descrizione	A	B	C
F10D-64ET	400 mm	200 mm	87,5 mm
F2/10D-66ET	600 mm	150 mm	37,5 mm

A	Data plate		B	Electrical connection	
---	------------	--	---	-----------------------	--

MODEL: F10D-64ET
DIMENSIONS: cm. 40x 60x 39h
ELECTRIC POWER: 7,15 kW
VOLTAGE: 400V~3N / 230V~3
FREQUENCY: 50/60 Hz



kg: 20
m³: 0.235
mm: 630x690x540

BUY LOTUS BUY ITALY

The pictures are purely representative. The manufacturer reserves the right to modify the technical data and models without previous notice.



LOTUS S.P.A. Via Calmaor, 46
 31020 San Vendemiano(TV) - Italy
 Tel. + 39 0438 778020 / 778468
 Fax + 39 0438 778277
www.lotuscookers.it - lotus@lotuscookers.it