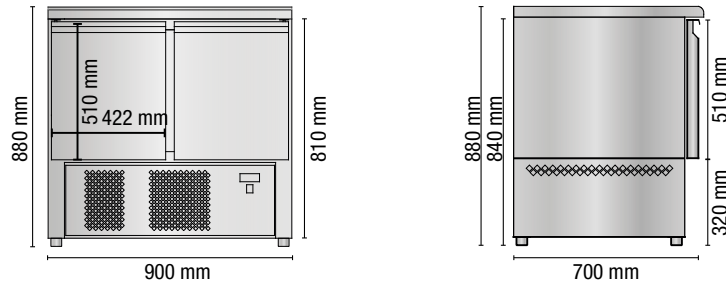
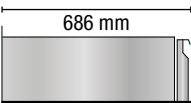
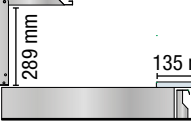
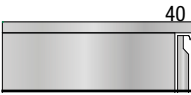

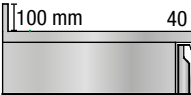
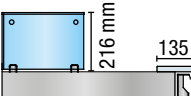
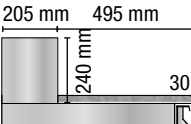


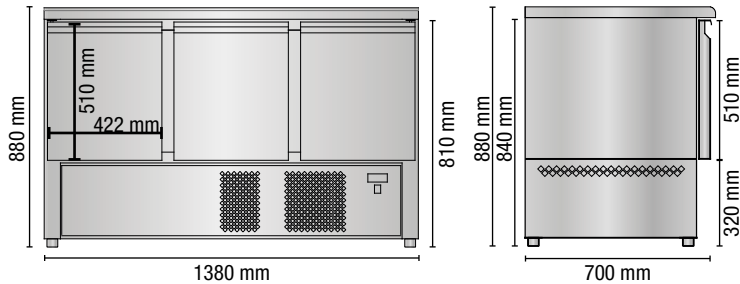
SALADETTE



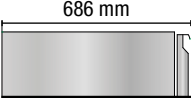
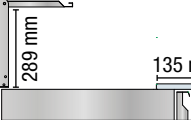


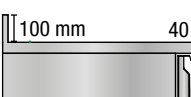
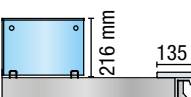
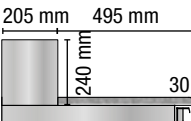
**SALADETTE
SLV02**
2 porte / 2 doors

 <p>SP Senza piano con sottopiano isolante <i>Without worktop with insulating underlay</i></p>	<p>Dimensioni (LxPxH) / <i>Dimensions (LxDxH)</i>: 900 x 700 x 840 mm</p>	
 <p>EKO Coperchio in acciaio inox + piano in polietilene <i>Stainless steel lid + polyethylene worktop</i></p>	<p>Dimensioni (LxPxH) / <i>Dimensions (LxDxH)</i>: 900 x 700 x 880 mm</p>	
 <p>NX Piano in acciaio inox <i>Stainless steel worktop</i></p>	<p>Dimensioni (LxPxH) / <i>Dimensions (LxDxH)</i>: 904 x 700 x 880 mm</p>	
 <p>GR Piano in granito <i>Granite worktop</i></p>	<p>Dimensioni (LxPxH) / <i>Dimensions (LxDxH)</i>: 904 x 700 x 870 mm</p>	
 <p>AL Piano in acciaio inox con alzata <i>Stainless steel worktop and splashback</i></p>	<p>Dimensioni (LxPxH) / <i>Dimensions (LxDxH)</i>: 904 x 700 x 980 mm</p>	
 <p>VD Piano in polietilene ed alzata in vetro dritto temperato <i>Polyethylene worktop and straight tempered glass</i></p>	<p>Dimensioni (LxPxH) / <i>Dimensions (LxDxH)</i>: 900 x 700 x 1058 mm</p>	
 <p>AI Piano in granito e alzata in acciaio inox, predisposto per 5 vaschette GN 1/6 <i>Granite worktop and stainless steel splashback, suitable for 5 x 1/6 GN bowls</i></p>	<p>Dimensioni (LxPxH) / <i>Dimensions (LxDxH)</i>: 904 x 700 x 1080 mm</p>	
Volume interno / <i>Internal volume</i>	SP / NX / GR / AL 210 Lt	EKO / VD / AI 148 Lt
Volume utile / <i>Useful volume</i>	SP / NX / GR / AL 73 Lt	EKO / VD / AI 53 Lt
Assorbimento all'avviamento / <i>Starting electrical input</i>	350 W / 1,85 A	
Assorbimento a regime / <i>Steady state electrical input</i>	250 W / 1,5 A	
Temperatura d'esercizio / <i>Working temperature</i>	+ 4°C / + 6 °C	
Gas refrigerante / <i>Cooling gas</i>	R452A - R455A - R290	
Classe climatica - Dati collaudo / <i>Climatic class - Testing data</i>	4 - Temperatura + 30°C / Umidità relativa 60% 4 - Temperature + 30°C / Relative humidity 60%	
Alimentazione / <i>Power supply</i>	220 / 240 V - 1P - 50 Hz (60 Hz A richiesta / <i>On request</i>)	

SALADETTE

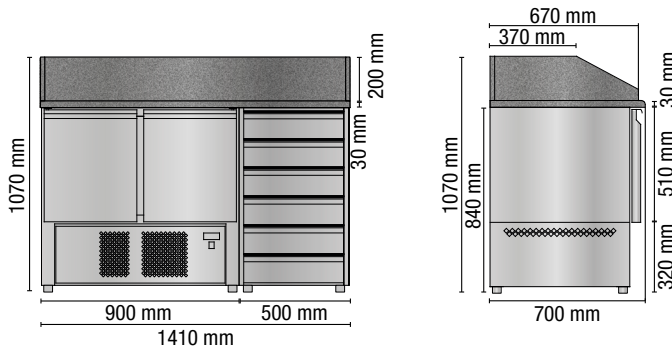


**SALADETTE
SLV03**
3 porte / 3 doors

 <p>SP Senza piano con sottopiano isolante <i>Without worktop with insulating underlay</i></p>	<p>Dimensioni (LxPxH) / <i>Dimensions (LxDxH)</i>: 1380 x 700 x 840 mm</p>	
 <p>EKO Coperchio in acciaio inox + piano in polietilene <i>Stainless steel lid + polyethylene worktop</i></p>	<p>Dimensioni (LxPxH) / <i>Dimensions (LxDxH)</i>: 1380 x 700 x 880 mm</p>	
 <p>NX Piano in acciaio inox <i>Stainless steel worktop</i></p>	<p>Dimensioni (LxPxH) / <i>Dimensions (LxDxH)</i>: 1384 x 700 x 880 mm</p>	
 <p>GR Piano in granito <i>Granite worktop</i></p>	<p>Dimensioni (LxPxH) / <i>Dimensions (LxDxH)</i>: 1384 x 700 x 870 mm</p>	
 <p>AL Piano in acciaio inox con alzatina <i>Stainless steel worktop and splashback</i></p>	<p>Dimensioni (LxPxH) / <i>Dimensions (LxDxH)</i>: 1384 x 700 x 980 mm</p>	
 <p>VD Piano in polietilene ed alzata in vetro dritto temperato <i>Polyethylene worktop and straight tempered glass</i></p>	<p>Dimensioni (LxPxH) / <i>Dimensions (LxDxH)</i>: 1380 x 700 x 1058 mm</p>	
 <p>AI Piano in granito e alzata in acciaio inox, predisposto per 8 vaschette GN 1/6 <i>Granite worktop and stainless steel splashback, suitable for 8 x 1/6 GN bowls</i></p>	<p>Dimensioni (LxPxH) / <i>Dimensions (LxDxH)</i>: 1380 x 700 x 1080 mm</p>	
Volume interno / <i>Internal volume</i>	SP / NX / GR / AL 330 Lt	EKO / VD / AI 229 Lt
Volume utile / <i>Useful volume</i>	SP / NX / GR / AL 146 Lt	EKO / VD / AI 106 Lt
Assorbimento all'avviamento / <i>Starting electrical input</i>	350 W / 1,76 A	
Assorbimento a regime / <i>Steady state electrical input</i>	250 W / 1,59 A	
Temperatura d'esercizio / <i>Working temperature</i>	+ 4°C / + 6°C	
Gas refrigerante / <i>Cooling gas</i>	R452A - R455A - R290	
Classe climatica - Dati collaudo / <i>Climatic class - Testing data</i>	4 - Temperatura + 30°C / Umidità relativa 60% 4 - Temperature + 30°C / Relative humidity 60%	
Alimentazione / <i>Power supply</i>	220 / 240 V - 1P - 50 Hz (60 Hz A richiesta / <i>On request</i>)	

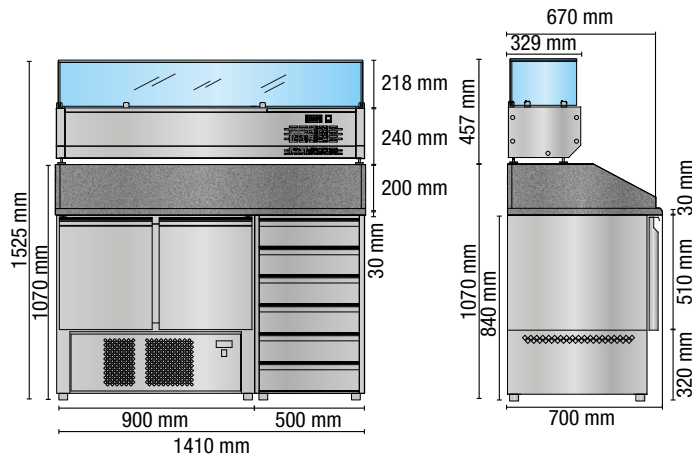
SALADETTE PIZZA

PIZZA SALADETTE



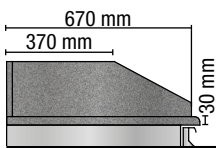
SALADETTE PIZZA / PIZZA SALADETTE SLV02C6

2 porte + 6 cassetti / 2 doors + 6 drawers



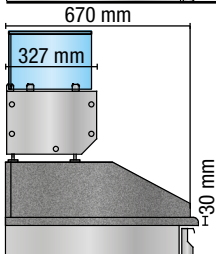
SALADETTE PIZZA / PIZZA SALADETTE SLV02C6 + VR4140VD

2 porte + 6 cassetti + **VR4140VD** vetrina refrigerata ingredienti pizza / 2 doors + 6 drawers + **VR4140VD** refrigerated display for pizza ingredients



SALADETTE PIZZA con piano e alzatine in granito.
PIZZA SALADETTE with granite worktop and splashbacks.

Dimensioni (LxPxH) / Dimensions (LxDxH):
1410 x 700 x 1070 mm



SALADETTE PIZZA con piano e alzatine in granito + vetrina refrigerata ingredienti pizza, **VD** vetri dritti temperati.
PIZZA SALADETTE with granite worktop and splashbacks + refrigerated display for pizza ingredients, with **VD** straight tempered glass.

Dimensioni (LxPxH) / Dimensions (LxDxH):
1410 x 700 x 1525 mm

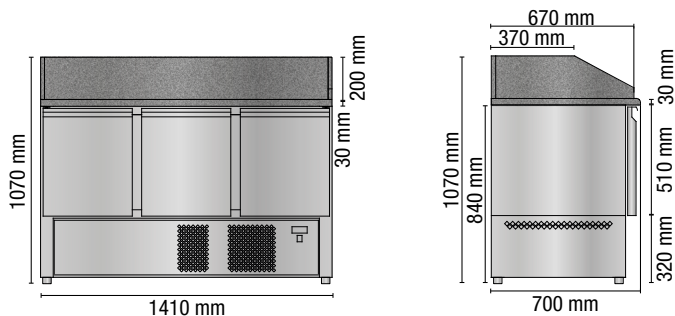
VR4140VD
Cod. Vetrina refrigerata ingredienti pizza.
Cod. Refrigerated display for pizza ingredients.

Volume interno / Internal volume	210 Lt *	
Volume utile / Useful volume	73 Lt *	
Assorbimento all'avviamento / Starting electrical input	Saladette: 350 W / 1,85 A	VR4140VD : 260 W / 1,52 A
Assorbimento a regime / Steady state electrical input	Saladette: 250 W / 1,5 A	VR4140VD : 220 W / 1,40 A
Temperatura d'esercizio / Working temperature	+ 4°C / + 6 °C	
Gas refrigerante / Cooling gas	R452A - R455A - R290 (A richiesta / On request)	
Classe climatica - Dati collaudo / Climatic class - Testing data	4 - Temperatura + 30°C / Umidità relativa 60% 4 - Temperature + 30°C / Relative humidity 60%	
Alimentazione / Power supply	220 / 240 V - 1P - 50 Hz (60 Hz A richiesta / On request)	

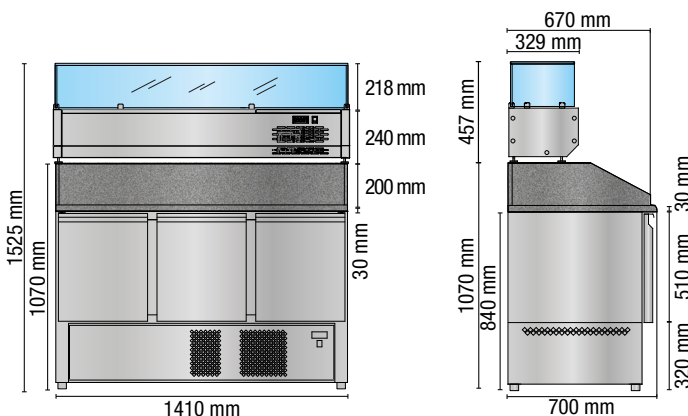
* IL VOLUME NON COMPRENDE LA CASSETTIERA 6 CASSETTI / VOLUME DOES NOT INCLUDE THE 6-DRAWER CHEST OF DRAWERS

SALADETTE PIZZA

PIZZA SALADETTE

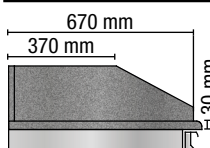


SALADETTE PIZZA / PIZZA SALADETTE SLV03PZ 3 porte / 3 doors



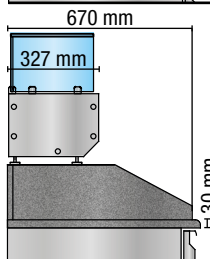
SALADETTE PIZZA / PIZZA SALADETTE SLV03PZ + VR4140VD

3 porte + **VR4140VD** vetrina refrigerata ingredienti pizza / 3 doors + **VR4140VD** refrigerated display for pizza ingredients



SALADETTE PIZZA con piano e alzatine in granito.
Pizza SALADETTE with granite worktop and splashbacks.

Dimensioni (LxPxH) / Dimensions (LxDxH):
1410 x 700 x 1070 mm



SALADETTE PIZZA con piano e alzatine in granito + vetrina refrigerata ingredienti pizza, **VD** vetri dritti temperati.
*PIZZA SALADETTE with granite worktop and splashbacks + refrigerated display for pizza ingredients, with **VD** straight tempered glass.*

VR4140VD
Cod. Vetrina refrigerata ingredienti pizza.
Cod. Refrigerated display for pizza ingredients.

Dimensioni (LxPxH) / Dimensions (LxDxH):
1410 x 700 x 1525 mm

Volume interno / Internal volume

350 Lt

Volume utile / Useful volume

250 Lt

Assorbimento all'avviamento / Starting electrical input

Saladette: 350 W / 1,76 A

VR4140VD: 260 W / 1,52 A

Assorbimento a regime / Steady state electrical input

Saladette: 250 W / 1,59 A

VR4140VD: 220 W / 1,40 A

Temperatura d'esercizio / Working temperature

+ 4°C / + 6 °C

Gas refrigerante / Cooling gas

R452A - R455A - **R290** (A richiesta / On request)

Classe climatica - Dati collaudo / Climatic class - Testing data

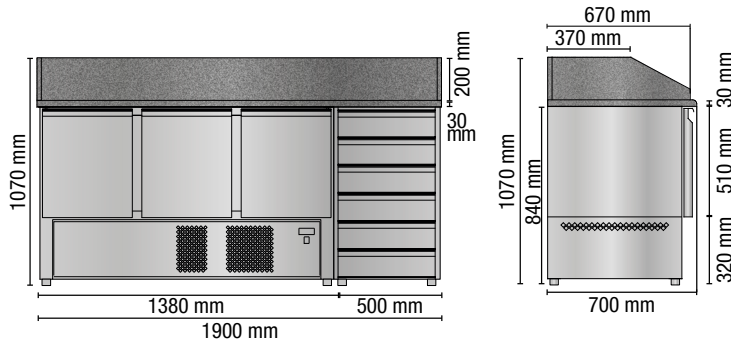
4 - Temperatura + 30°C / Umidità relativa 60%
4 - Temperature + 30°C / Relative humidity 60%

Alimentazione / Power supply

220 / 240 V - 1P - 50 Hz (60 Hz A richiesta / On request)

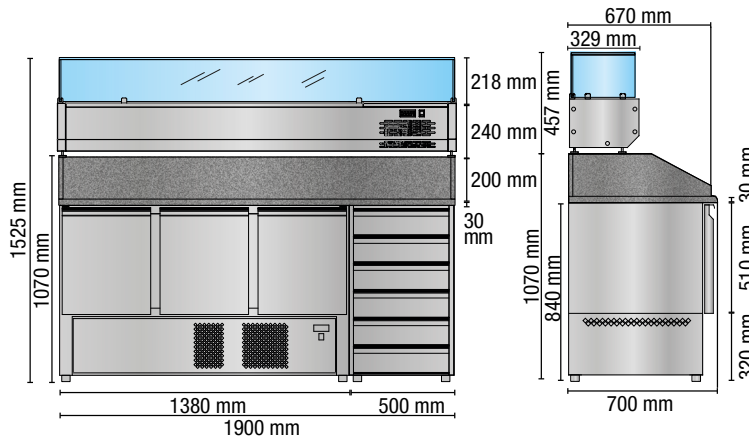
SALADETTE PIZZA

PIZZA SALADETTE



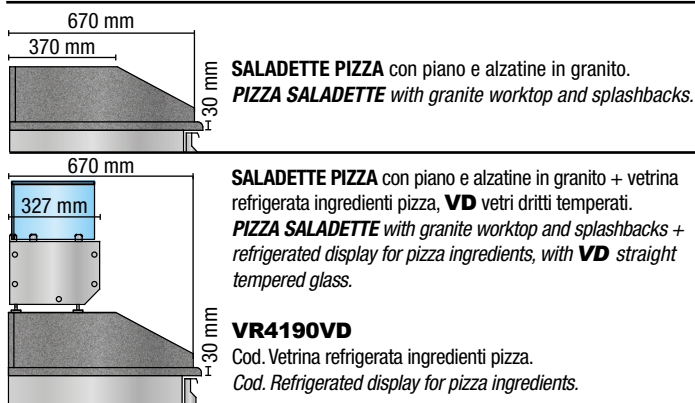
SALADETTE PIZZA / PIZZA SALADETTE SLV03C6

3 porte + 6 cassetti / 3 doors + 6 drawers



SALADETTE PIZZA / PIZZA SALADETTE SLV03C6 + VR4190VD

3 porte + 6 cassetti + **VR4190VD** vetrina refrigerata ingredienti pizza / 3 doors + 6 drawers + **VR4190VD** refrigerated display for pizza ingredients



SALADETTE PIZZA con piano e alzatine in granito.
PIZZA SALADETTE with granite worktop and splashbacks.

SALADETTE PIZZA con piano e alzatine in granito + vetrina refrigerata ingredienti pizza, **VD** vetri dritti temperati.
PIZZA SALADETTE with granite worktop and splashbacks + refrigerated display for pizza ingredients, with **VD** straight tempered glass.

VR4190VD
Cod. Vetrina refrigerata ingredienti pizza.
Cod. Refrigerated display for pizza ingredients.

Dimensioni (LxPxH) / Dimensions (LxDxH):
1900 x 700 x 1070 mm

Dimensioni (LxPxH) / Dimensions (LxDxH):
1900 x 700 x 1525 mm

Volume interno / Internal volume	330 Lt *	
Volume utile / Useful volume	146 Lt *	
Assorbimento all'avviamento / Starting electrical input	Saladette: 350 W / 1,76 A	VR4190VD : 260 W / 1,52 A
Assorbimento a regime / Steady state electrical input	Saladette: 250 W / 1,59 A	VR4190VD : 220 W / 1,40 A
Temperatura d'esercizio / Working temperature	+ 4°C / + 6 °C	
Gas refrigerante / Cooling gas	R452A - R455A - R290 (A richiesta / On request)	
Classe climatica - Dati collaudo / Climatic class - Testing data	4 - Temperatura + 30°C / Umidità relativa 60% 4 - Temperature + 30°C / Relative humidity 60%	
Alimentazione / Power supply	220 / 240 V - 1P - 50 Hz (60 Hz A richiesta / On request)	

* IL VOLUME NON COMPRENDE LA CASSETTIERA 6 CASSETTI / VOLUME DOES NOT INCLUDE THE 6-DRAWER CHEST OF DRAWERS