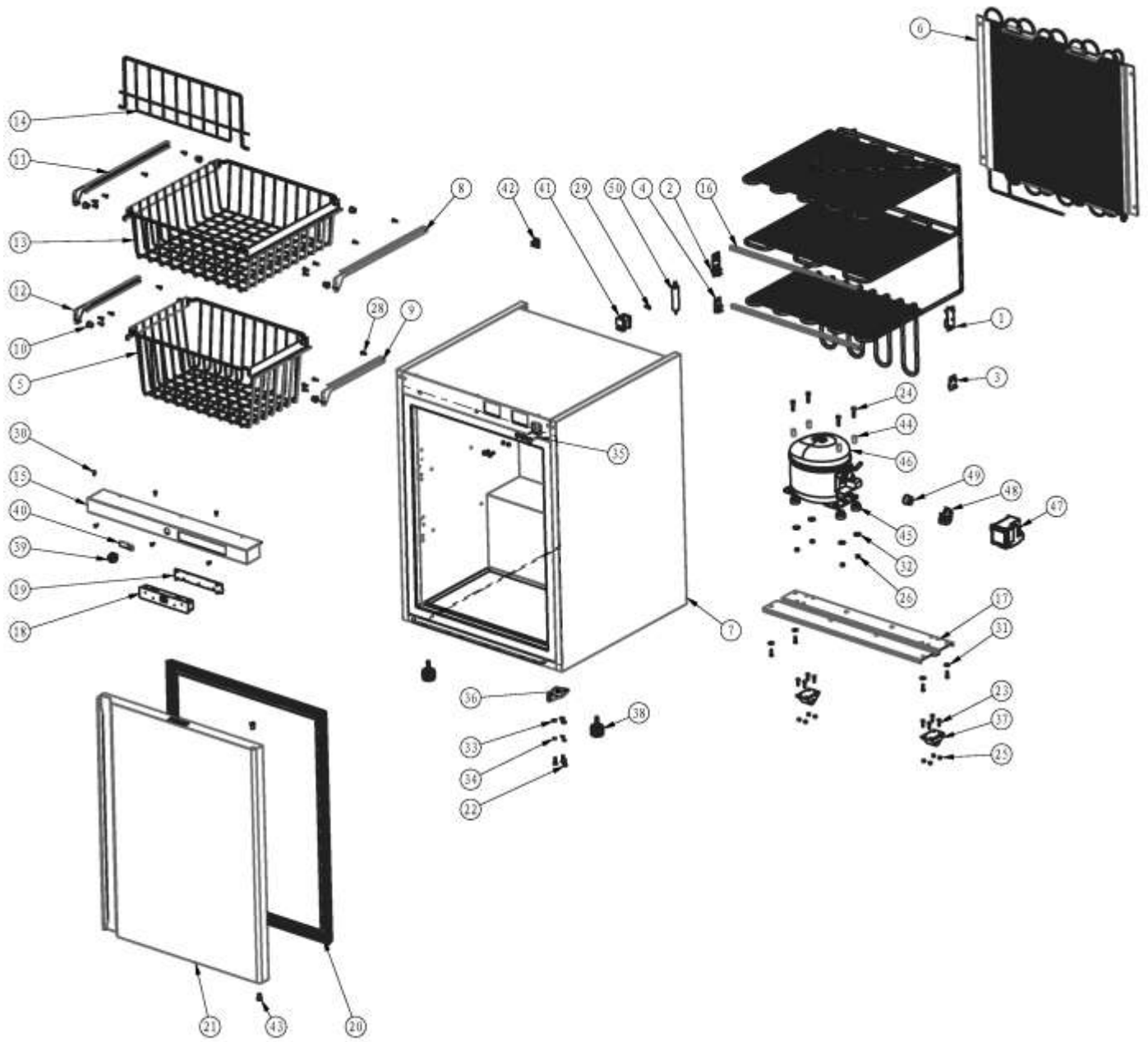


## ШКАФ МОРОЗИЛЬНЫЙ HURAKAN HKN-BCS120F



**ШКАФ МОРОЗИЛЬНЫЙ HURAKAN HKN-BCS120F**

Поз	Наименование детали
1	EVAP BASE TOP RIGHT
2	EVAP BASE TOP LEFT
3	EVAP BASE DOWN RIGHT
4	EVAP BASE DOWN LEFT
5	DRAWER SUBA
6	CONDENSER
7	FOAMING CABINET_ASM
8	GUIDE SHEET RIGHT UP
9	GUIDE SHEET RIGHT DN
10	ROLLER
11	GUIDE SHEET LEFT UP
12	GUIDE SHEE LEFT DN
13	DRAWER SUBA
14	TOP DRAWER_COVER
15	THERMOSTAT INST PLATE
16	PALLET
17	INSTALLATION PLATE
18	THERMOSTAT BOX
19	THERMOSTAT COVER
20	GASKET
21	FOAMING DOOR SUBA
22	BOLT M6X16 S
23	BOLT M5x16
24	BOLT M6x25
25	HEXAGON NUT M5
26	HEXAGON NUT M6
27	SCREW M4x10
28	SCREW ST4x16
29	SCREW ST4x16
30	SCREW ST4 2x12
31	LARGE WASHER D5
32	LARGE WASHER D6
33	PLAIN WASHER D6
34	SPRING WASHER D6
35	UPPER HINGE ASM
36	BOTTOM HINGE ASM
37	UNIDIRECTIONAL CASTOR 1IN
38	ADJUSTED FOOT M8x55
39	TG15A LOCK
40	LOCK BOLT P 55
41	FILTER BASE D19
42	BC161 SENSOR CLIP
43	BUSH 6 16
44	LENGJI GROMMET SLEEVE D11xH18
45	LENGJI RUBBER GROMMET D25xH17
46	COMPRESSOR ASM 2 GQR70AA
47	RELAY COVE GQR70AA
48	PTC STARTER 8100
49	OVERLOAD PROTECTOR T0515
50	FILTER D19X100