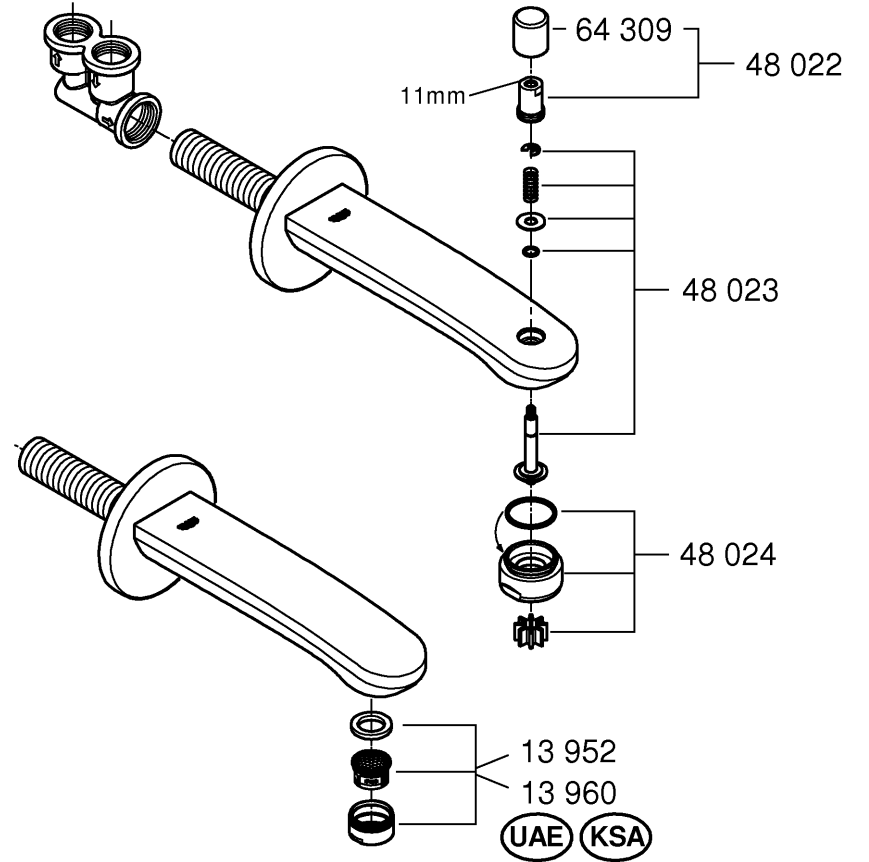
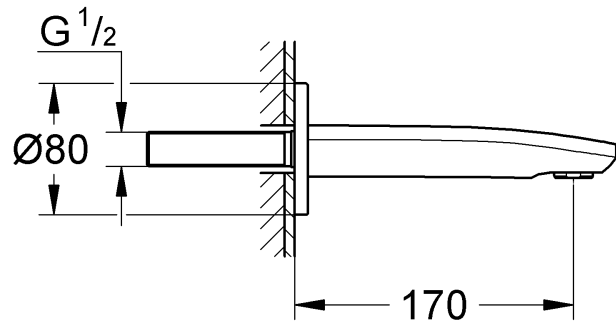




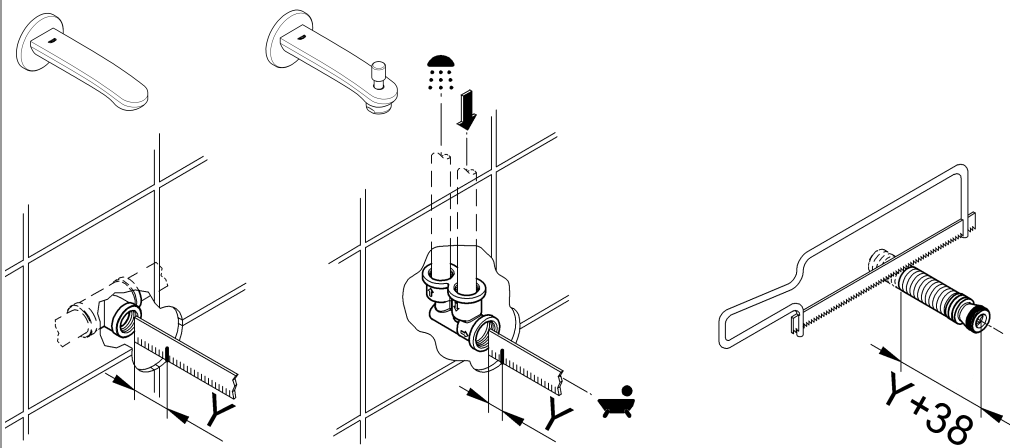
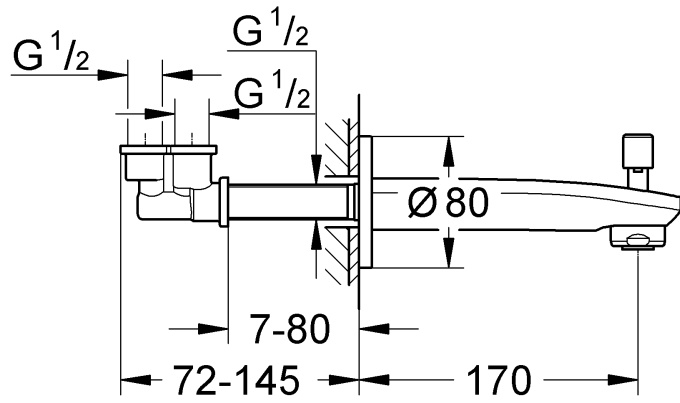
DIN  
1988

DIN EN  
806

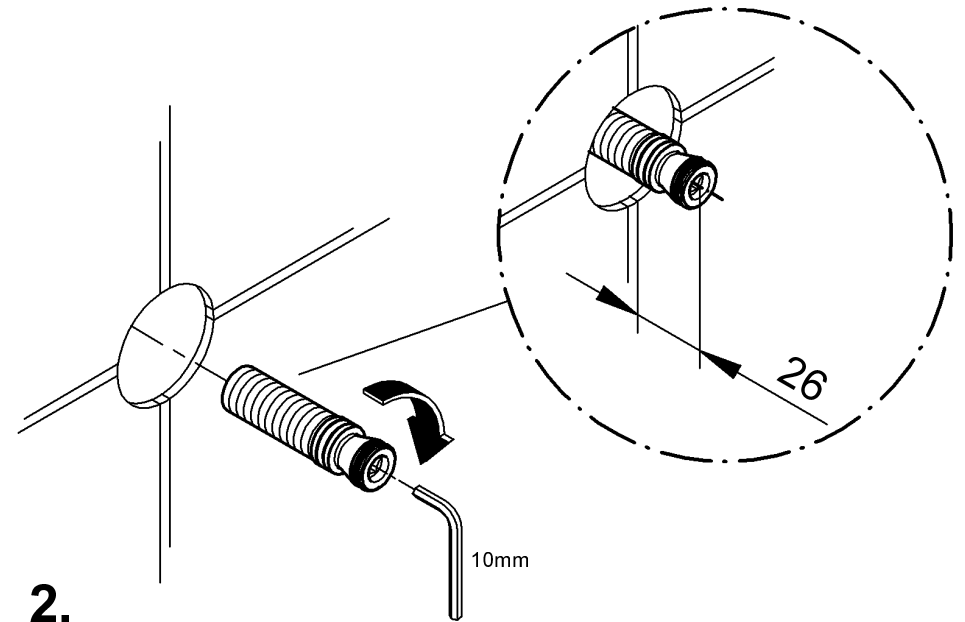
**13 276**



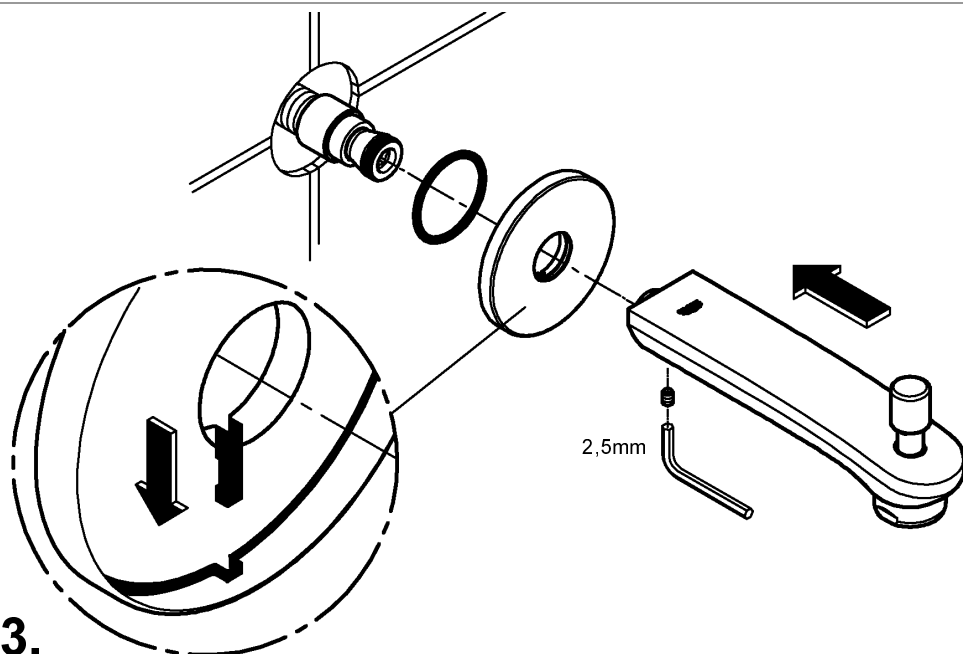
**13 277**



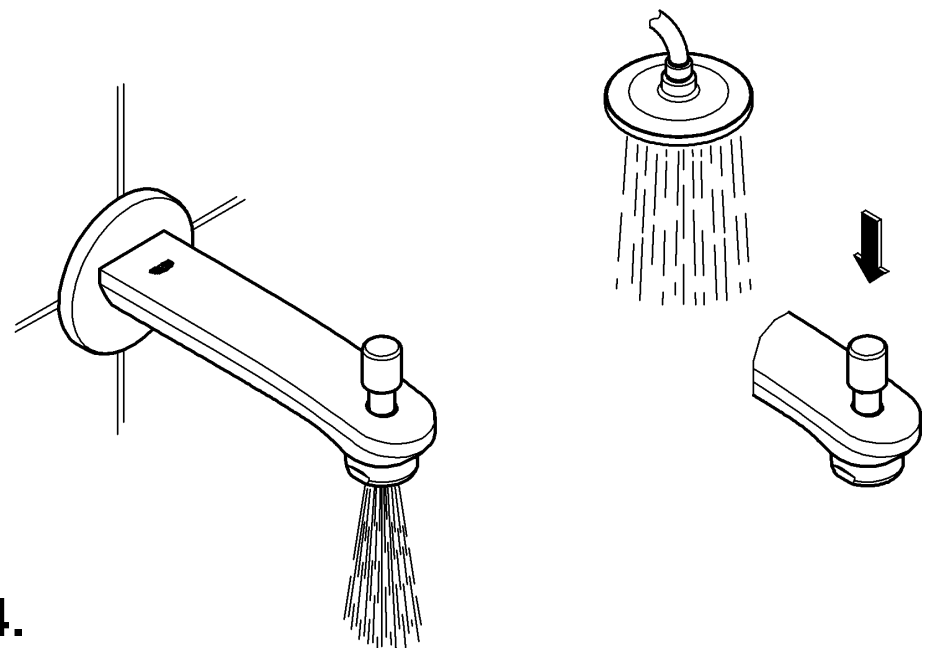
**1.**



**2.**



**3.**



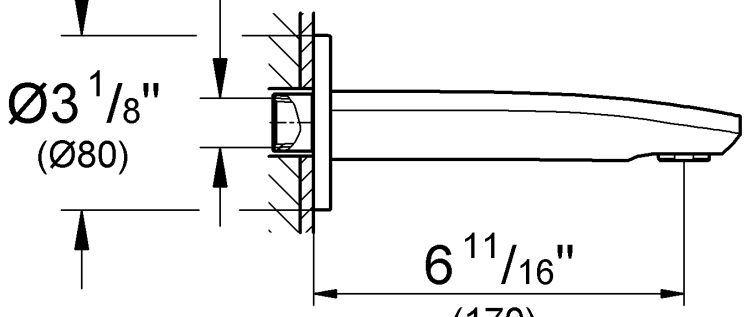
**4.**

# 13 284

1/2" NPT-FIP

Ø3 1/8"  
(Ø80)

6 11/16"  
(170)

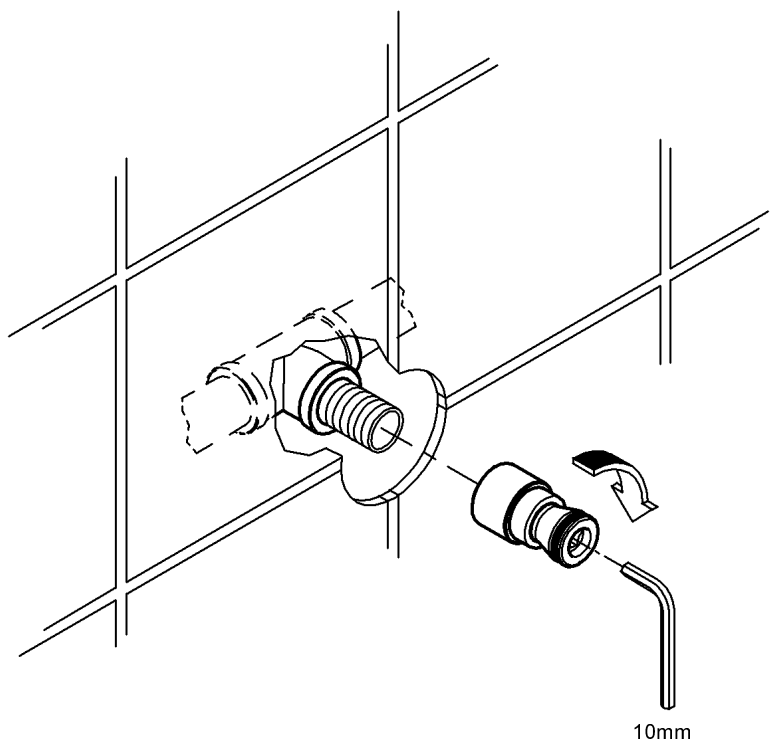
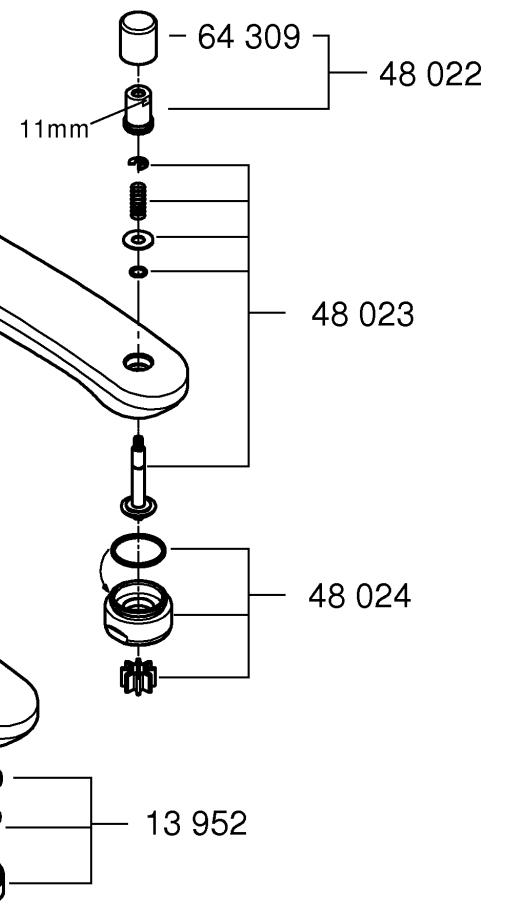
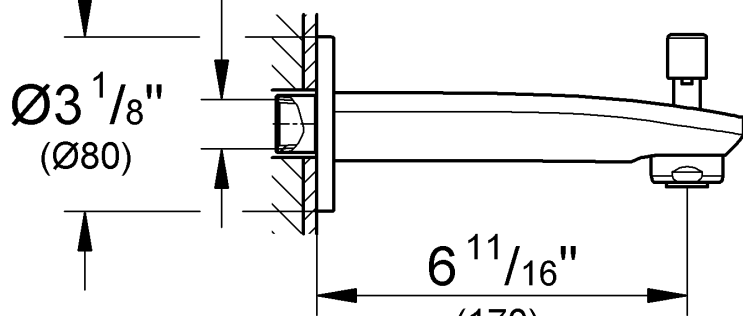


# 13 285

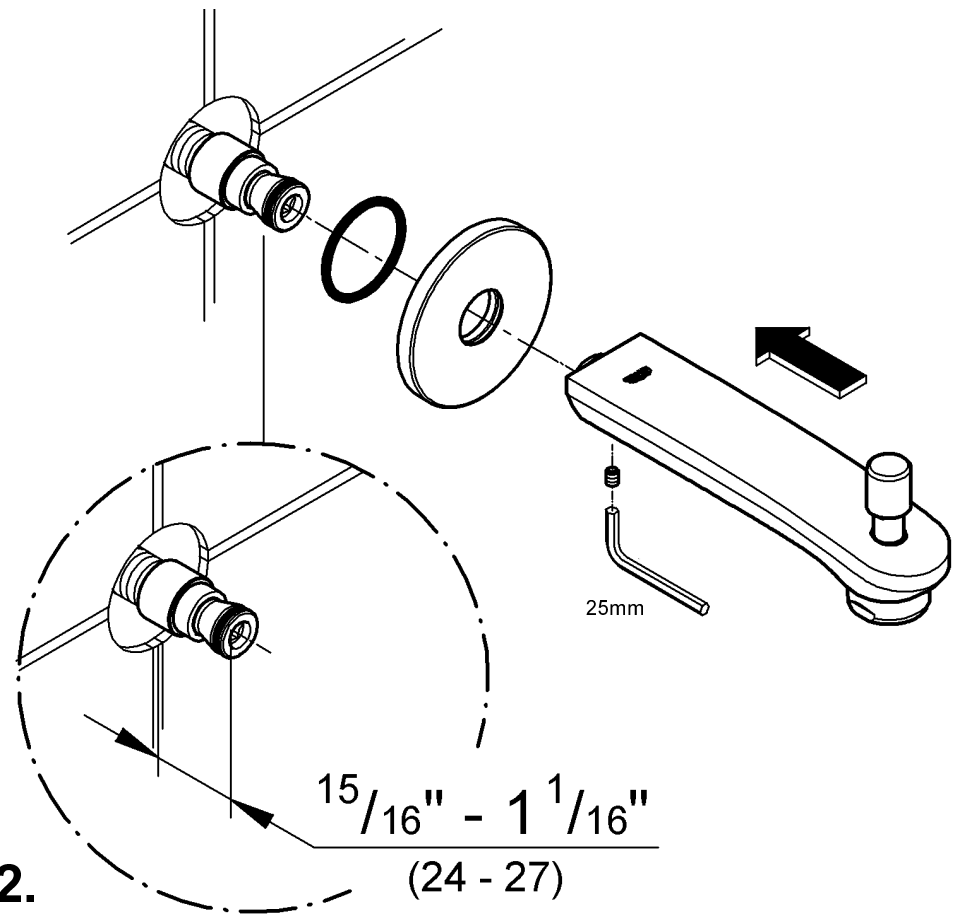
1/2" NPT-FIP

Ø3 1/8"  
(Ø80)

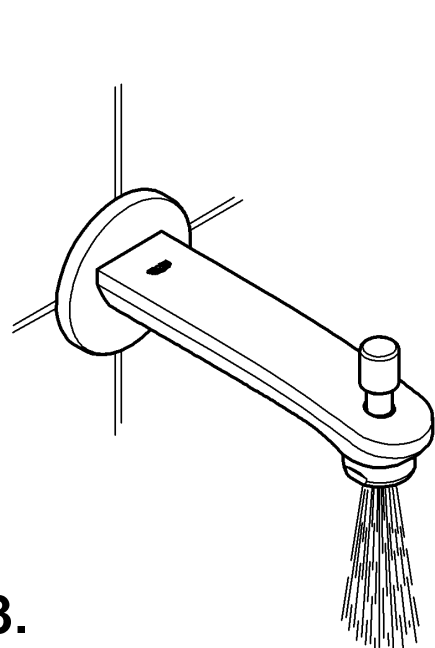
6 11/16"  
(170)



1.



2.



3.

