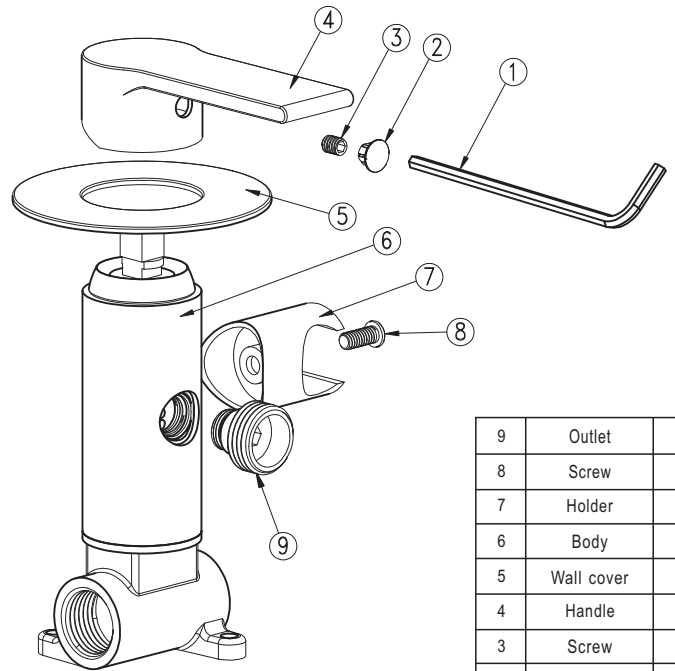
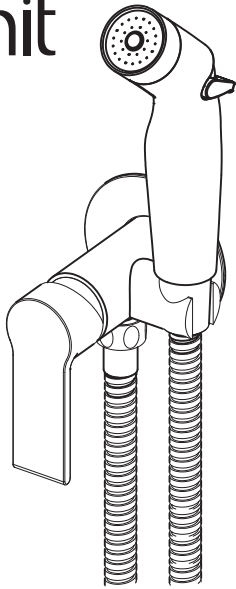


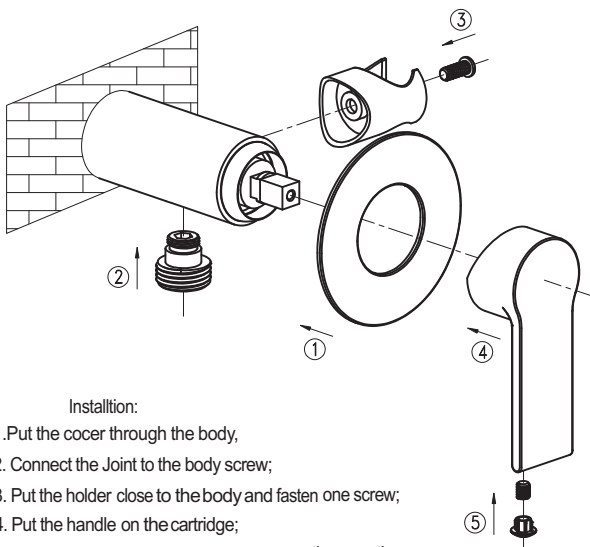
cersanit



Part List and Installation

| | | |
|---------|---------------|-----|
| 9 | Outlet | 1 |
| 8 | Screw | 1 |
| 7 | Holder | 1 |
| 6 | Body | 1 |
| 5 | Wall cover | 1 |
| 4 | Handle | 1 |
| 3 | Screw | 1 |
| 2 | Hot&cold mark | 1 |
| 1 | Socket wrench | 1 |
| Item No | Name | QTY |

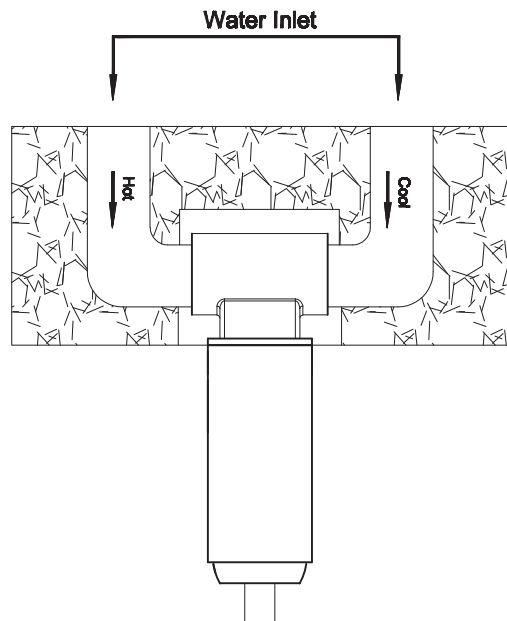
Standard Part List



Installation:

1. Put the cover through the body,
2. Connect the Joint to the body screw;
3. Put the holder close to the body and fasten one screw;
4. Put the handle on the cartridge;
5. Fix the hexagon screw with socket wrench then put the blue and red plug in.

Installation 2



Installation 1