
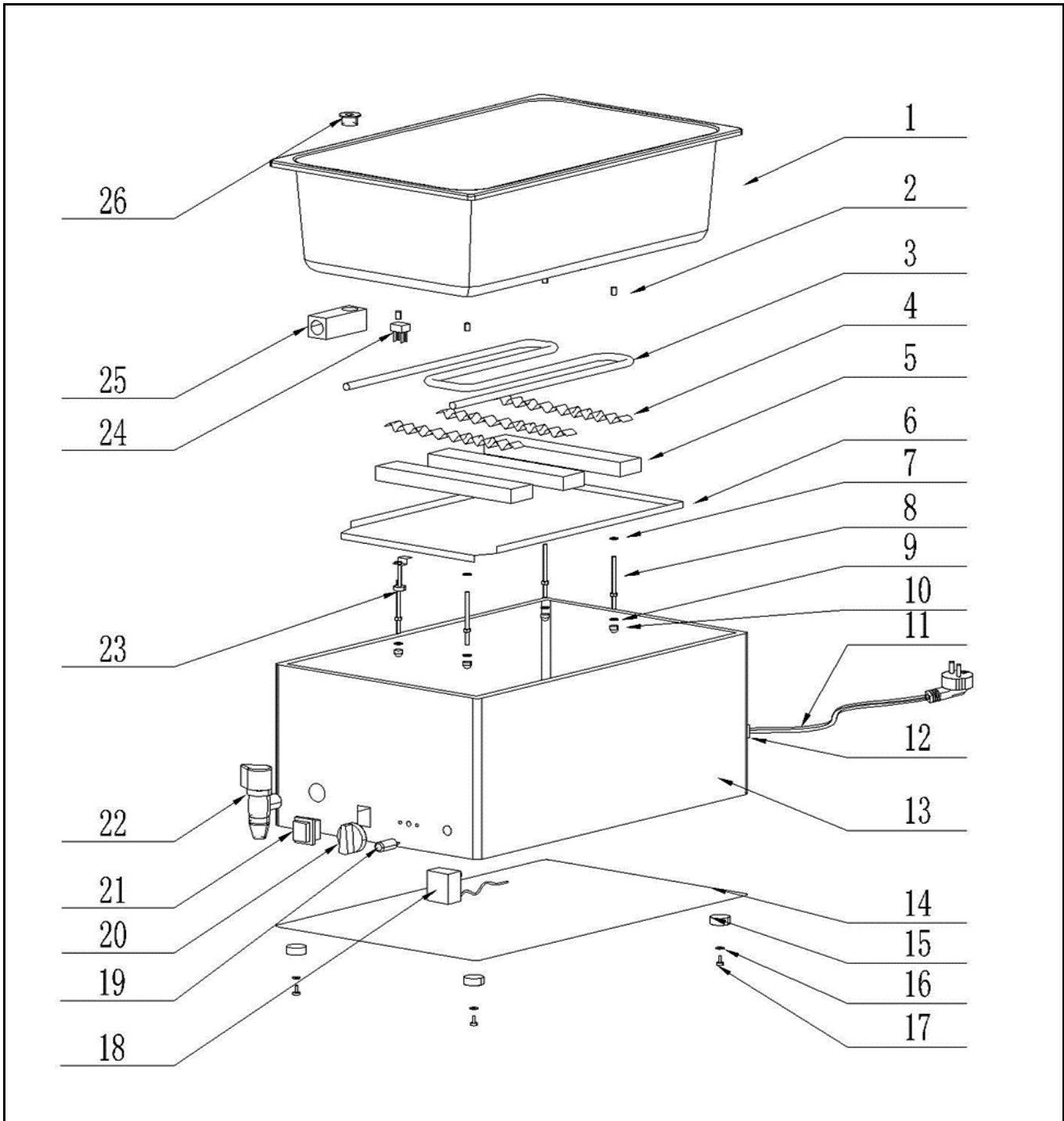



Drawing

 <p>Hendi B.V. Steenoven 21 3911 TX Rhenen The Netherlands</p>	Batch #	Appliance part#
	000000 until 402941	238912
	Description	
	Bain-marie with drain tap	

Date	22-02-2016	Revision #	Revision version
Revision	First bill of materials (BOM)		



Bill of materials (BOM)

 Hendi B.V. Steenoven 21 3911 TX Rhenen The Netherlands	Batch #	Appliance part#
	000000 until 402941	238912
	Description	
	Bain-marie with drain tap	


Date	22-02-2016	Revision #	Revision version
Revision	First bill of materials (BOM)		

Item	Description	Part#	Quantity	Remark	Picture
1	Water pan	n/a	1		
2	Nut water pan	n/a	4		
3	Element 1200W	900642	1		
4	Wave plate	n/a	3		
5	Isolation	n/a	3		
6	Cover element	n/a	1		
7	Washer	n/a	4		
8	Stud	n/a	4		
9	Washer	n/a	4		
10	Nut	n/a	4		
11	Powercord	930038	1		
12	Cord inlet with retention	900819	1		
13	Frame	n/a	1		
14	Bottom cover	n/a	1		
15	Rubber feet	900611	4	Incl item 16 and 17	
16	Washer	nss	4	Available as 900611	
17	Screw	nss	4	Available as 900611	
18	EGO thermostat	900635	1		
19	Indication light	900697	1		
20	Knob thermostat	900604	1		
21	Switch	205426	1		
22	Faucet	915608	1		
23	Reset rod	205495	1		
24	Hi-limiter	900659	1		
25	Drain pipe	n/a	1		
26	Drainage	n/a	1		

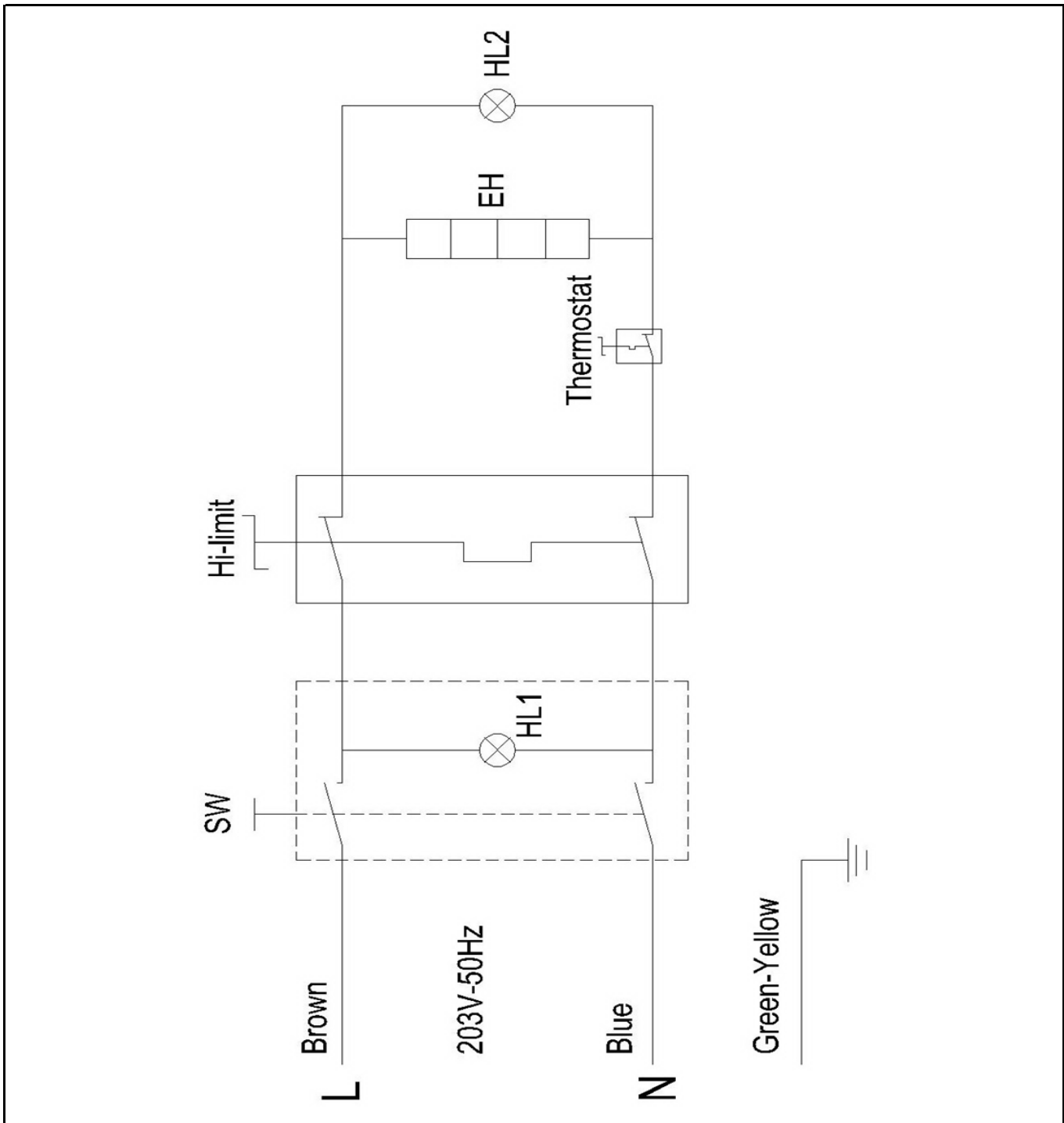
n/a -> not available

nss -> not sold separately


Circuit diagram

 HENDI FOOD SERVICE EQUIPMENT Hendi B.V. Steenoven 21 3911 TX Rhenen The Netherlands	Batch #	Appliance part#
	000000 until 402941	238912
	Description	
	Bain-marie with drain tap	

Date	22-02-2016	Revision #	Revision version
Revision	First bill of materials (BOM)		



Wiring diagram

 <p>Hendi B.V. Steenoven 21 3911 TX Rhenen The Netherlands</p>	Batch #	Appliance part#
	000000 until 402941	238912
	Description	
	Bain-marie with drain tap	

Date	22-02-2016	Revision #	Revision version
Revision	First bill of materials (BOM)		

